



US00D436661S

(12) **United States Design Patent**
Berry

(10) **Patent No.:** **US D436,661 S**

(45) **Date of Patent:** **** Jan. 23, 2001**

(54) **SUPPOSITORY APPLICATOR**

6,066,124 * 5/2000 Caillouette 604/514

(76) Inventor: **Melvin P Berry**, 4385 Avenue A,
Beaumont, TX (US) 77705

* cited by examiner

(**) Term: **14 Years**

Primary Examiner—James Gandy
Assistant Examiner—Reid Hecker

(21) Appl. No.: **29/105,233**

(57) **CLAIM**

(22) Filed: **May 20, 1999**

The ornamental design for a suppository applicator, as shown and described.

(51) **LOC (7) Cl.** **24-02**

DESCRIPTION

(52) **U.S. Cl.** **D24/141; D24/114**

(58) **Field of Search** D24/112, 113,
D24/114, 141; 604/15, 57, 59, 60, 194,
197, 218, 227, 275, 285, 514, 515, 232,
241

FIG. 1 is a front elevational view of the suppository applicator of the present invention, the rear elevational view being a mirror image thereof;

FIG. 2 is a left side elevational view of the suppository applicator of FIG. 1, the right side elevational view being a mirror image thereof;

(56) **References Cited**

U.S. PATENT DOCUMENTS

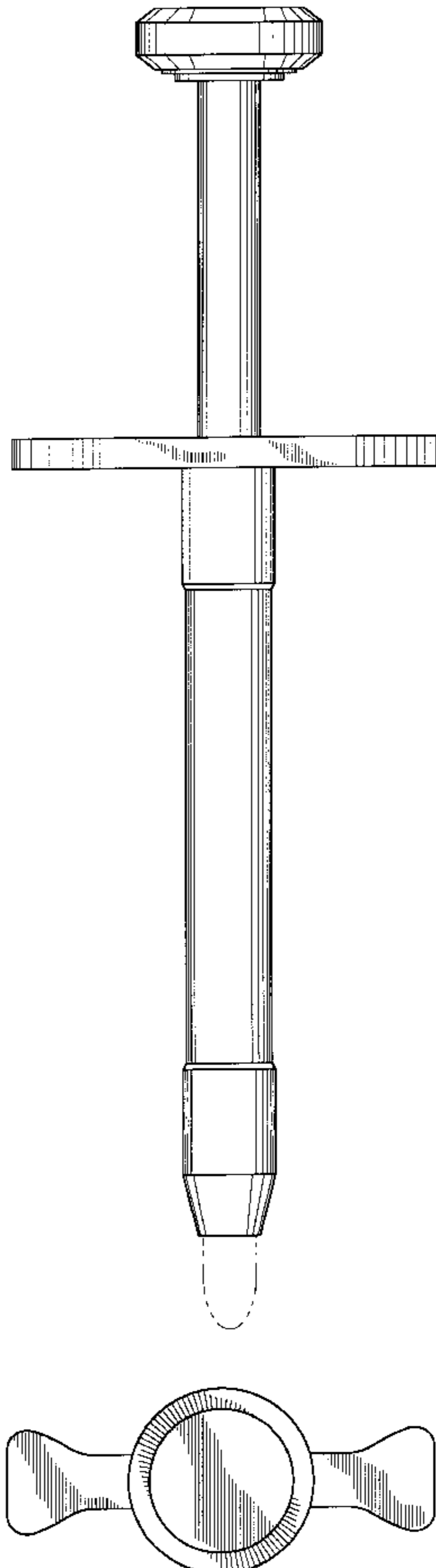
D. 378,406	*	3/1997	Kugler	D24/114
D. 403,064	*	12/1998	Einav et al.	D24/114
2,994,323	*	8/1961	Dann et al.	D24/114
4,261,361	*	4/1981	Cassou	604/197
4,341,211	*	7/1982	Kline	604/514
5,695,477	*	12/1997	Sfikas	604/241
6,004,286	*	12/1999	Bellhouse et al.	604/59
6,036,675	*	3/2000	Thorne et al.	604/232

FIG. 3 is a top plan view of the suppository applicator of FIG. 1; and,

FIG. 4 is a bottom plan view of the suppository applicator of FIG. 1.

The broken line showing a suppository in FIG. 1 is for illustrative purposes only and forms no part of the claimed design.

1 Claim, 2 Drawing Sheets



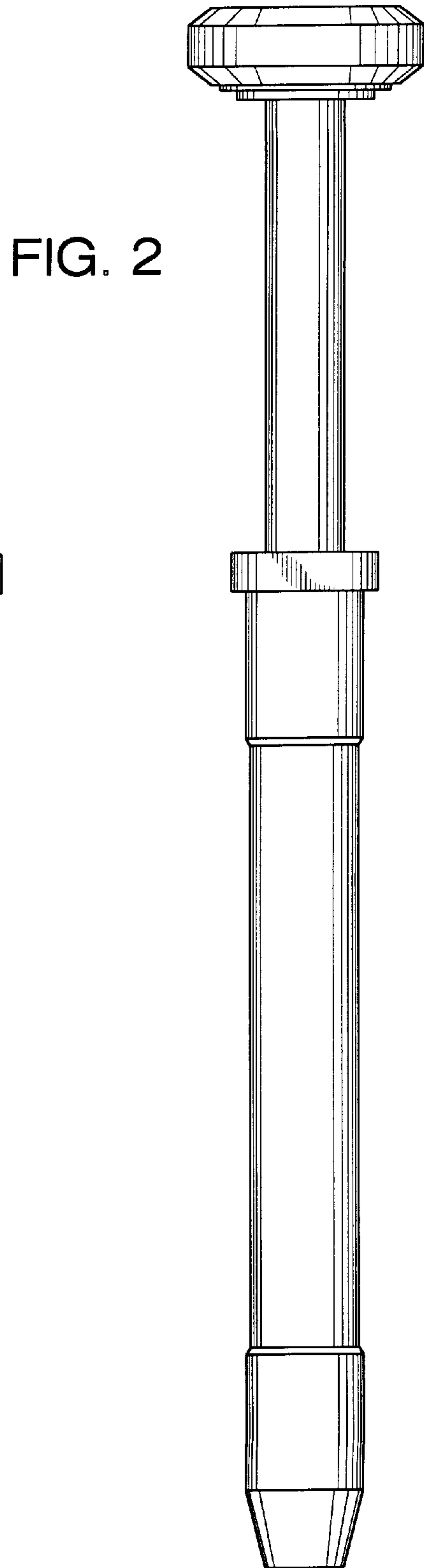
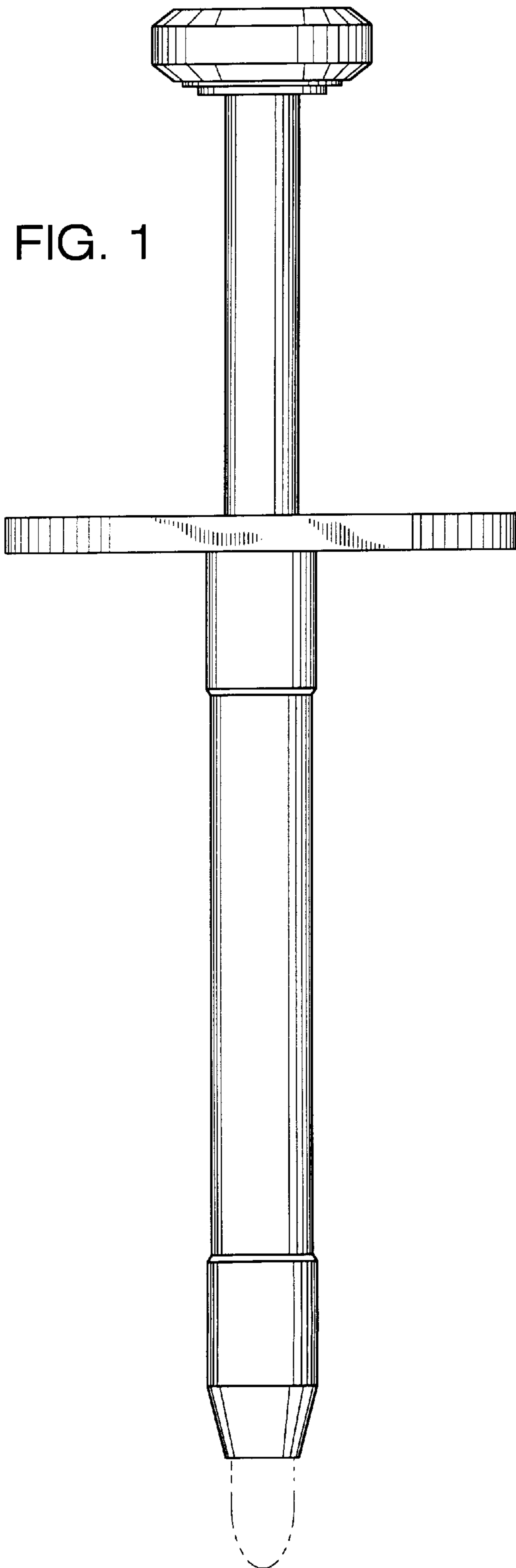


FIG. 3

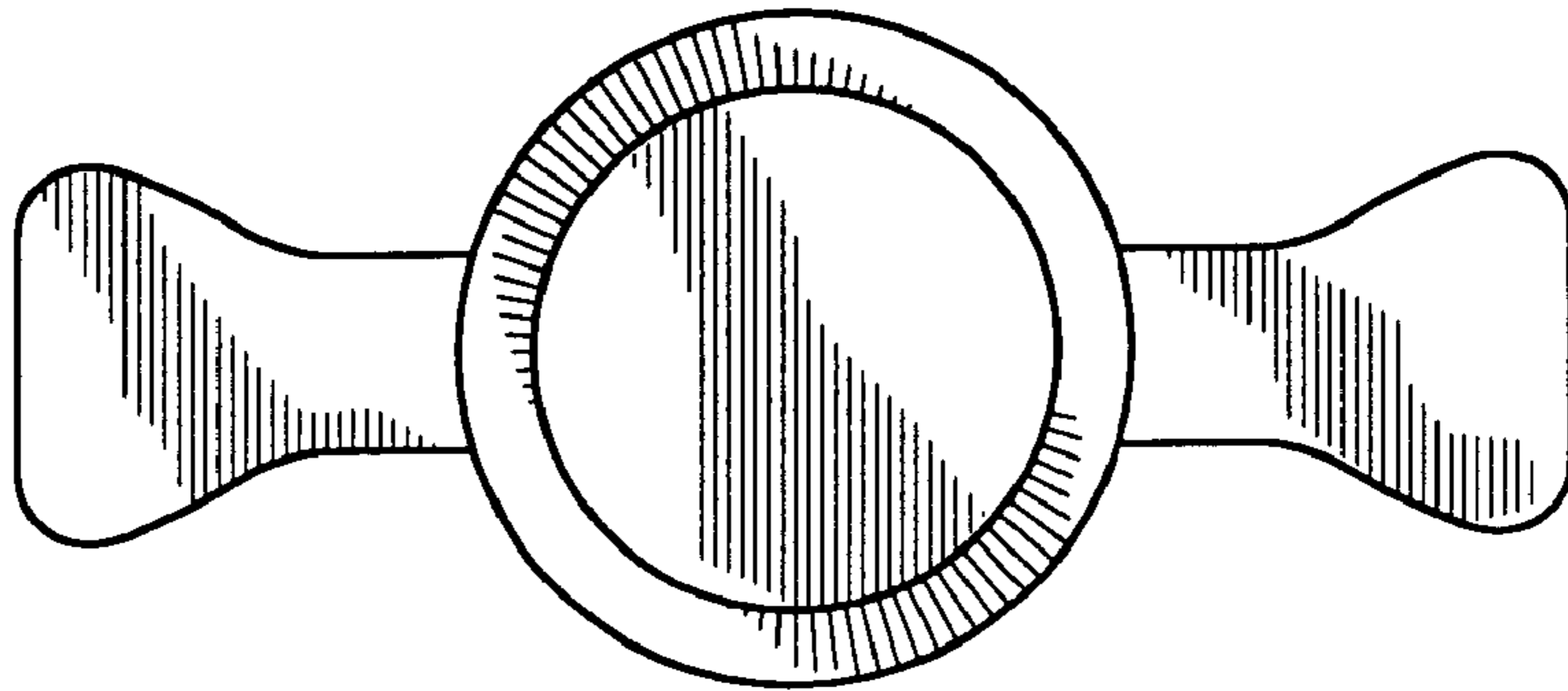


FIG. 4

