



US00D436660S

(12) **United States Design Patent**
Wijnhoud

(10) **Patent No.:** **US D436,660 S**

(45) **Date of Patent:** **** Jan. 23, 2001**

(54) **INFUSION TUBING SET**

(75) **Inventor:** **Pieter Robert Wijnhoud, Auckland (NZ)**

(73) **Assignee:** **REM Systems Limited, Auckland (NZ)**

(**) **Term:** **14 Years**

(21) **Appl. No.:** **29/086,963**

(22) **Filed:** **Apr. 23, 1998**

(30) **Foreign Application Priority Data**

Oct. 23, 1997 (NZ) 28900

(51) **LOC (7) Cl.** **24-01**

(52) **U.S. Cl.** **D24/108**

(58) **Field of Search** D24/108, 112,
D24/129, 164, 167, 169; 604/533, 535,
523, 7, 4, 27, 29, 537, 539, 538, 284

(56) **References Cited**

U.S. PATENT DOCUMENTS

D. 377,685 * 1/1997 Sibinga et al. D24/108

D. 397,784 * 9/1998 Piontek et al. D24/118
5,053,003 * 10/1991 Dadson et al. 604/28
5,399,160 * 3/1995 Dunberger et al. 604/28 X
5,725,511 * 3/1998 Urrutia 604/280
5,921,965 * 7/1999 Blei 604/204

* cited by examiner

Primary Examiner—Ian Simmons

(74) *Attorney, Agent, or Firm*—Jacobson, Price, Holman & Stern, PLLC

(57) **CLAIM**

The ornamental design for an infusion tubing set, as shown and described.

DESCRIPTION

FIG. 1 is a side elevational view of an infusion tubing set showing my new design;

FIG. 2 is an enlarged upper perspective view thereof, with the upper cannula shown in a rotated position and the tubing shown broken in the center for ease of illustration;

FIG. 3 is a top view thereof; and,

FIG. 4 is a bottom view thereof.

1 Claim, 3 Drawing Sheets

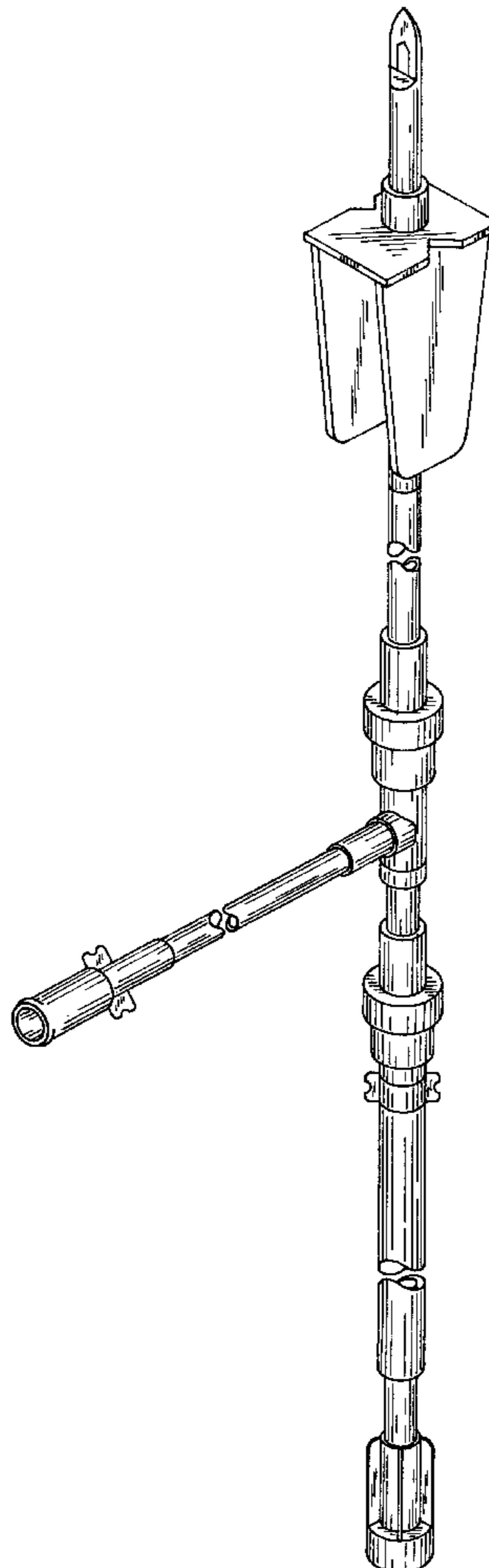


FIG. 1

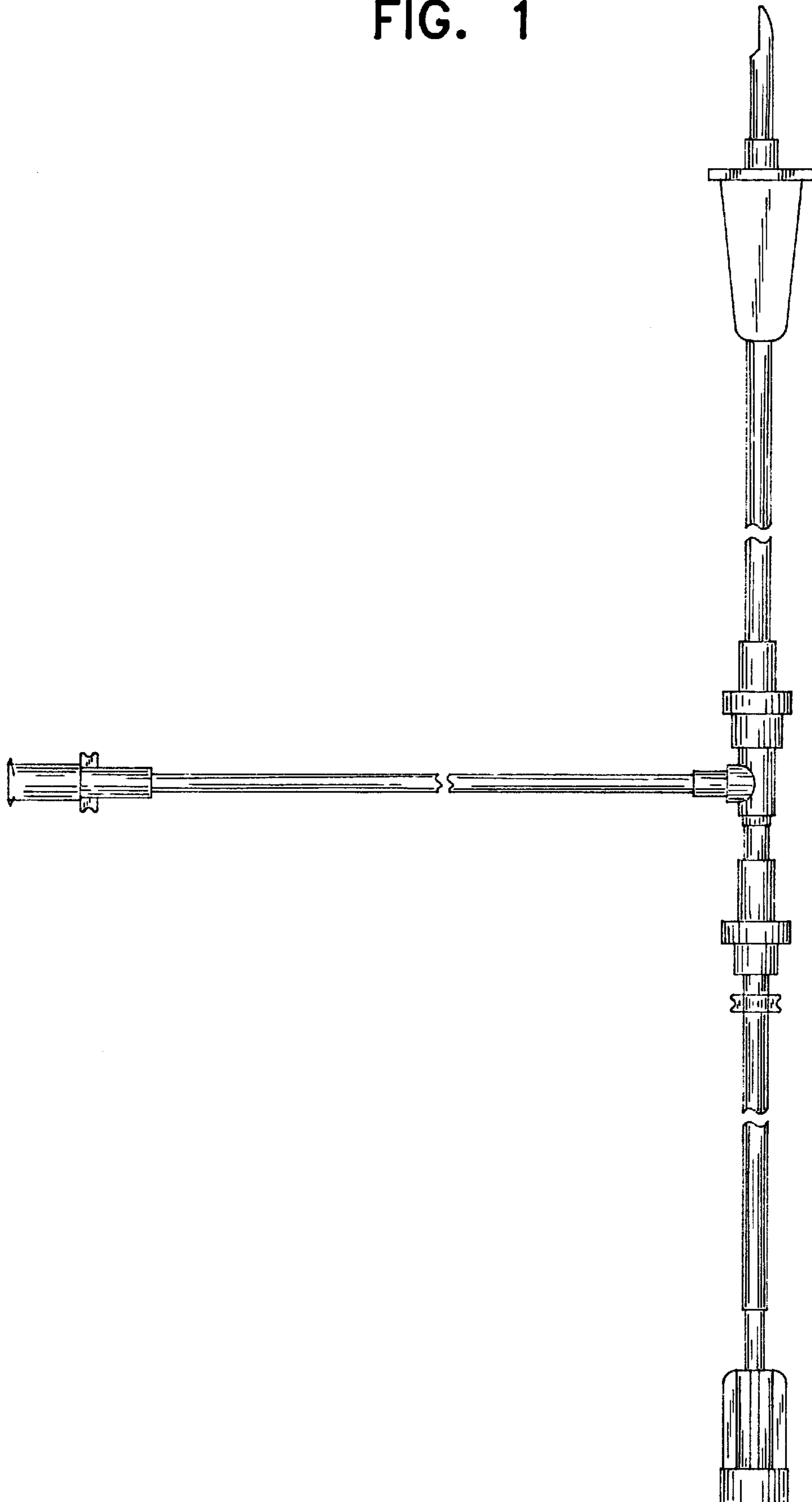


FIG. 2

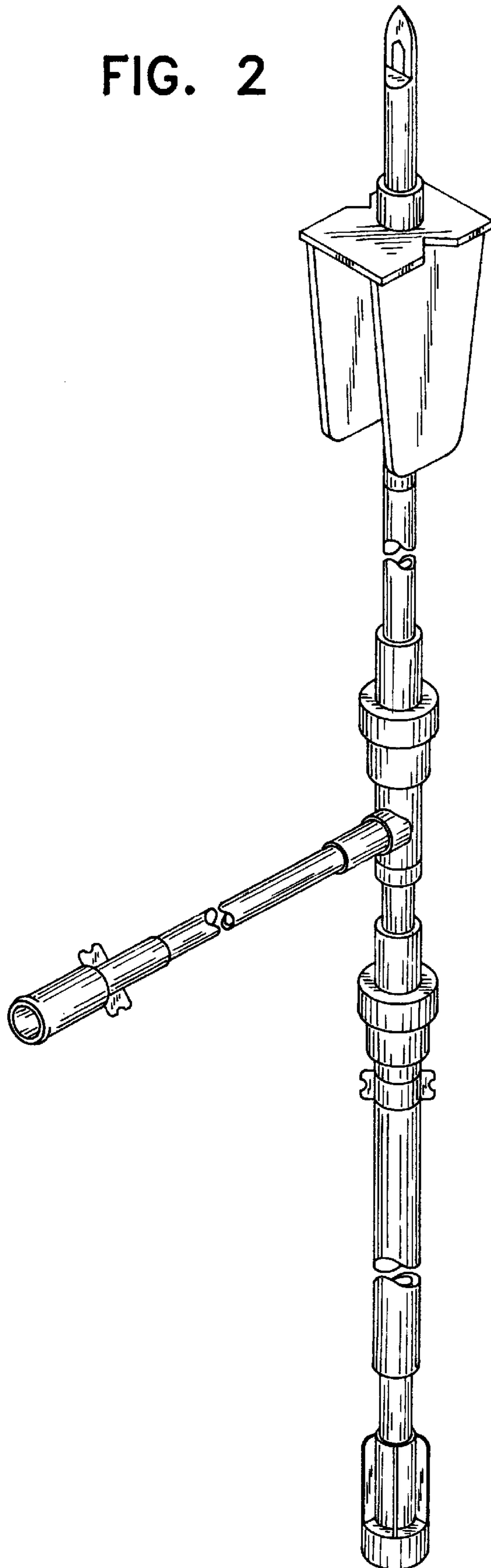


FIG. 3



FIG. 4

