



US00D436658S

(12) **United States Design Patent**  
**Goulet**

(10) **Patent No.:**

**US D436,658 S**

(45) **Date of Patent:**

**\*\* Jan. 23, 2001**

(54) **RANGE HOOD**

(75) Inventor: **Daniel Goulet**, Bouctouche (CA)

(73) Assignee: **Kanalflakt Inc**, Brunswick (CA)

(\*\*) Term: **14 Years**

(21) Appl. No.: **29/111,801**

(22) Filed: **Oct. 5, 1999**

(51) **LOC (7) Cl.** ..... **23-04**

(52) **U.S. Cl.** ..... **D23/372**

(58) **Field of Search** ..... **D23/372; D7/406;**  
**126/299 D, 299 R**

66848 9/1990 (CA) .  
75666 2/1995 (CA) .  
75979 3/1995 (CA) .  
76463 5/1995 (CA) .  
3039246 A1 5/1982 (DE) .  
3245302 A1 6/1984 (DE) .  
3514712 A1 10/1986 (DE) .  
3542046 A1 6/1987 (DE) .  
55-99538 7/1980 (JP) .

\* cited by examiner

*Primary Examiner*—Lisa Lichtenstein

(74) *Attorney, Agent, or Firm*—David P. Gordon; David S. Jacobson; Thomas A. Gallagher

(57) **CLAIM**

The ornamental design for a range hood, as shown and described.

(56) **References Cited**

**U.S. PATENT DOCUMENTS**

D. 312,685	12/1990	Fleming et al. ....	D23/372
D. 315,204	3/1991	Fleming et al. ....	D23/372
D. 318,111	7/1991	Galassi .....	D23/372
D. 361,376 *	8/1995	Isabelle et al. ....	D23/372
D. 376,003	11/1996	Hansen et al. ....	D23/372
4,133,300	1/1979	Burton, Jr. et al. ....	126/299
4,259,944	4/1981	Kalthoff .....	126/299
4,856,493	8/1989	Fleming et al. ....	126/299
5,176,125	1/1993	Jang .....	126/299
5,230,327	7/1993	Jang et al. ....	126/299

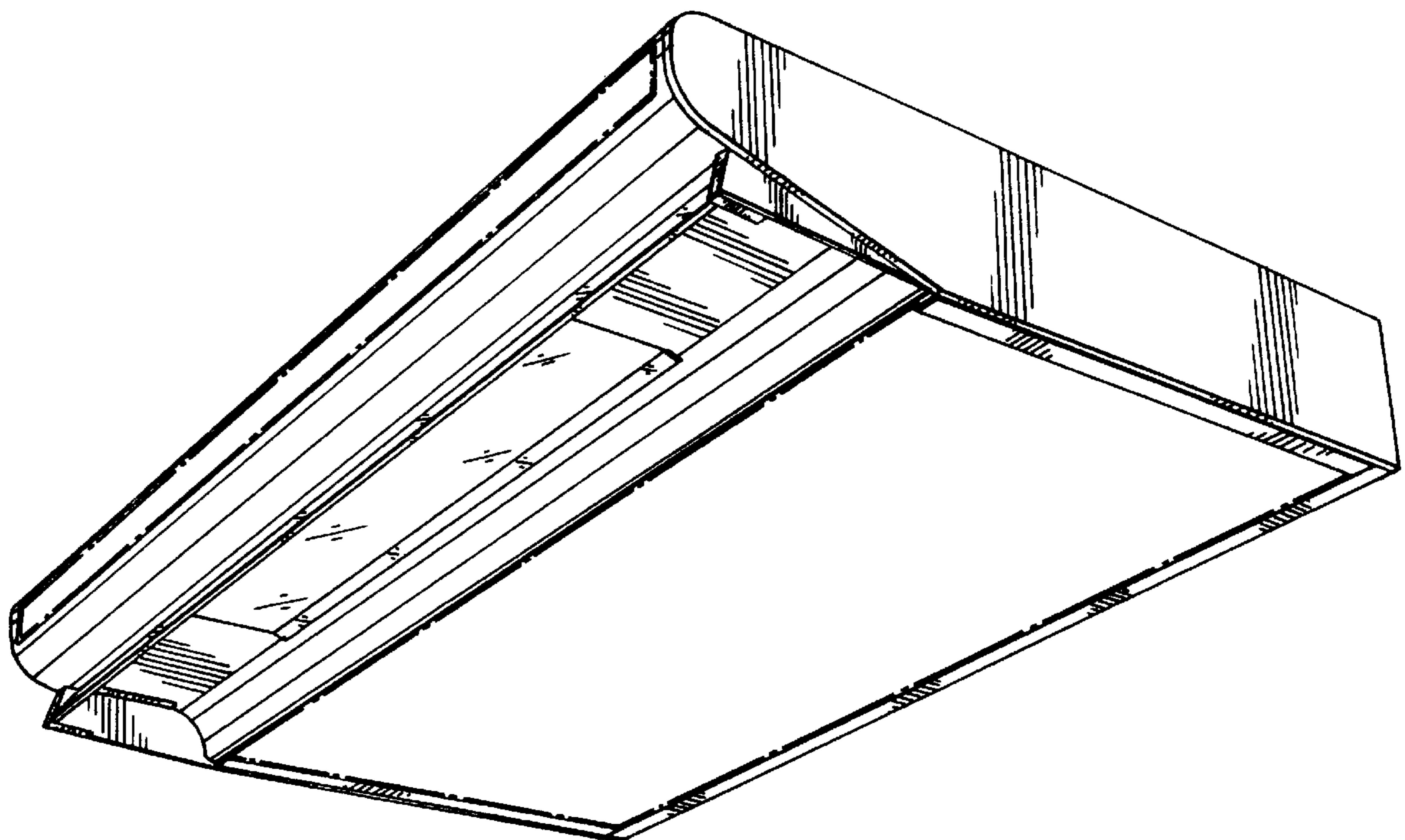
**FOREIGN PATENT DOCUMENTS**

34827	12/1971	(CA) .
38327	2/1973	(CA) .
66735	8/1990	(CA) .

**DESCRIPTION**

FIG. 1 is a front bottom view of a range hood showing my new design;  
FIG. 2 is a right side view thereof, the left side view being a mirror image thereof,  
FIG. 3 is a front view thereof,  
FIG. 4 is a bottom view thereof,  
FIG. 5 is a top view thereof; and,  
FIG. 6 is a rear view thereof.  
The broken line showing of environmental structure in FIGS. 1, 3 and 4 is for illustrative purposes only and forms no part of the claimed design.

**1 Claim, 3 Drawing Sheets**



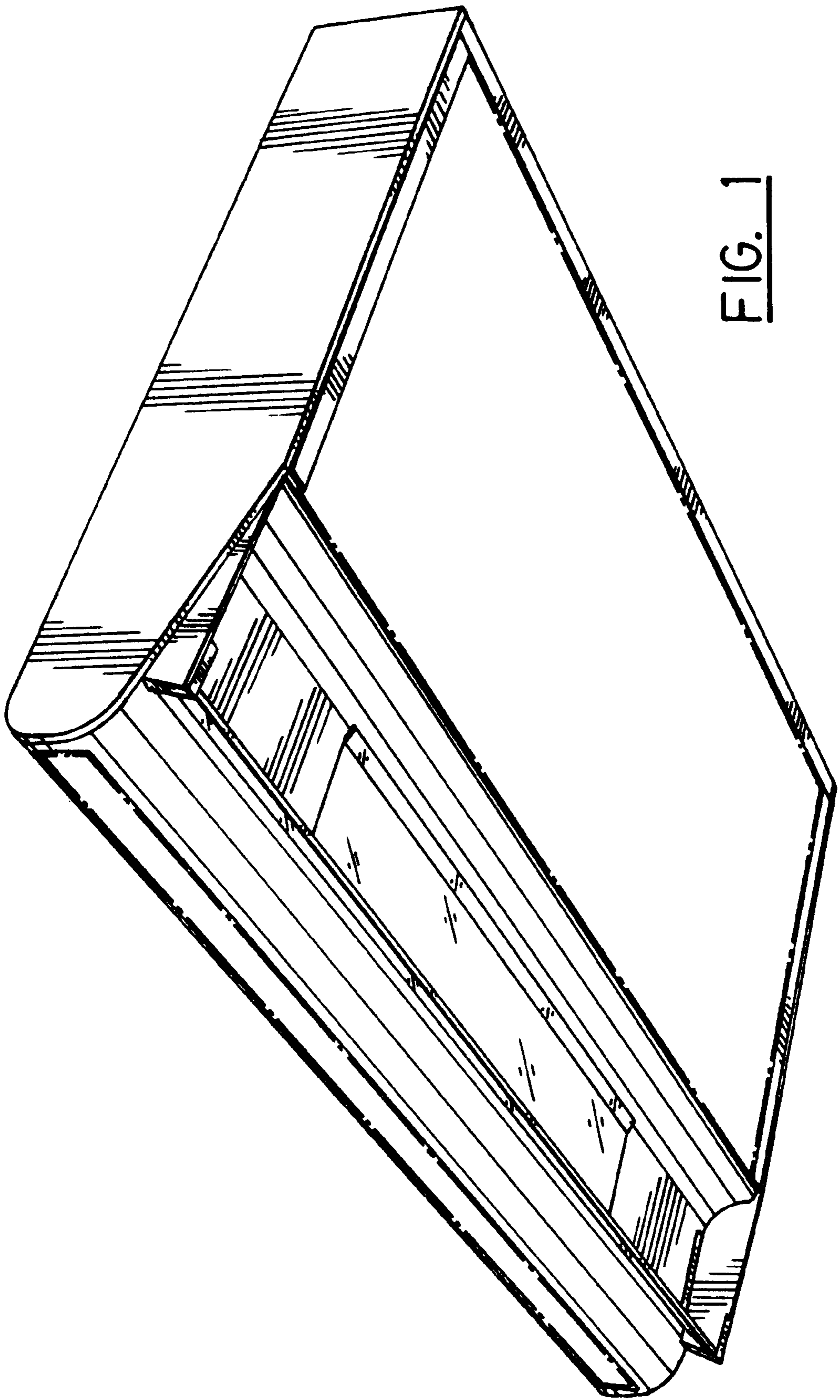


FIG. 1

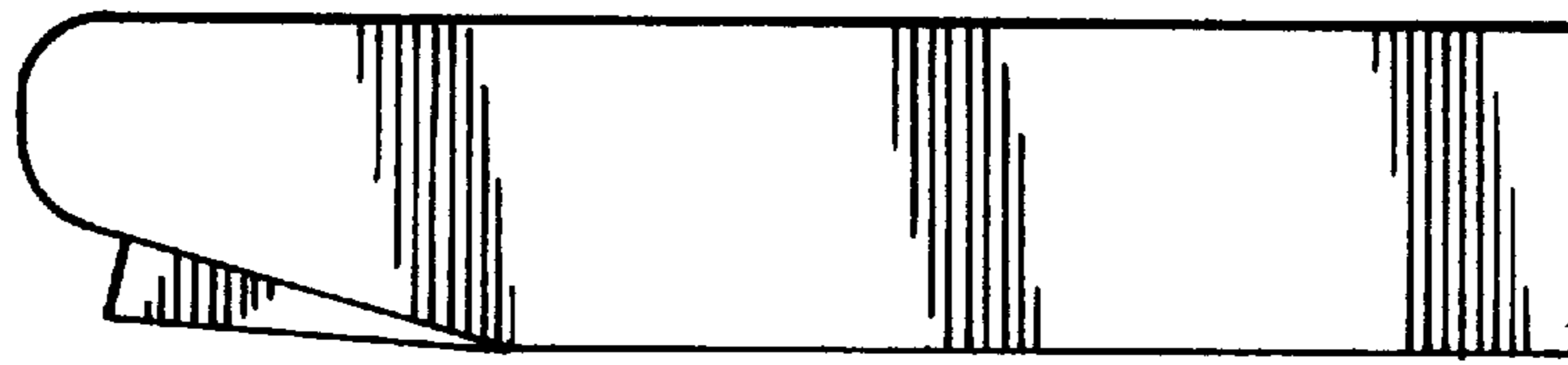


FIG. 2

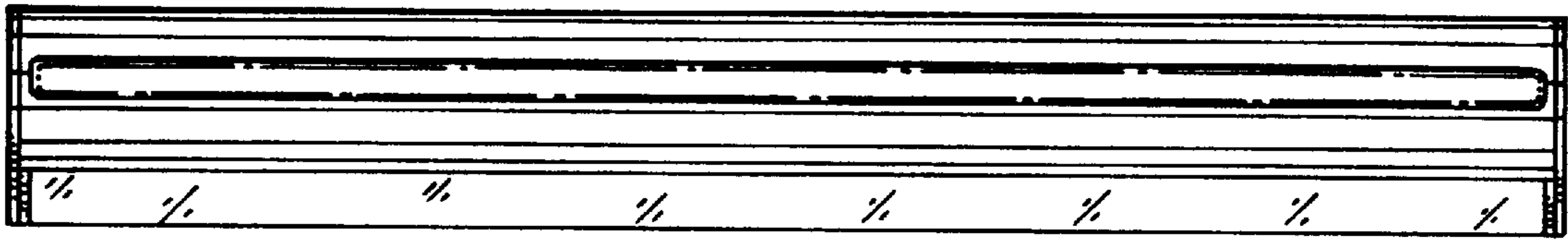


FIG. 3

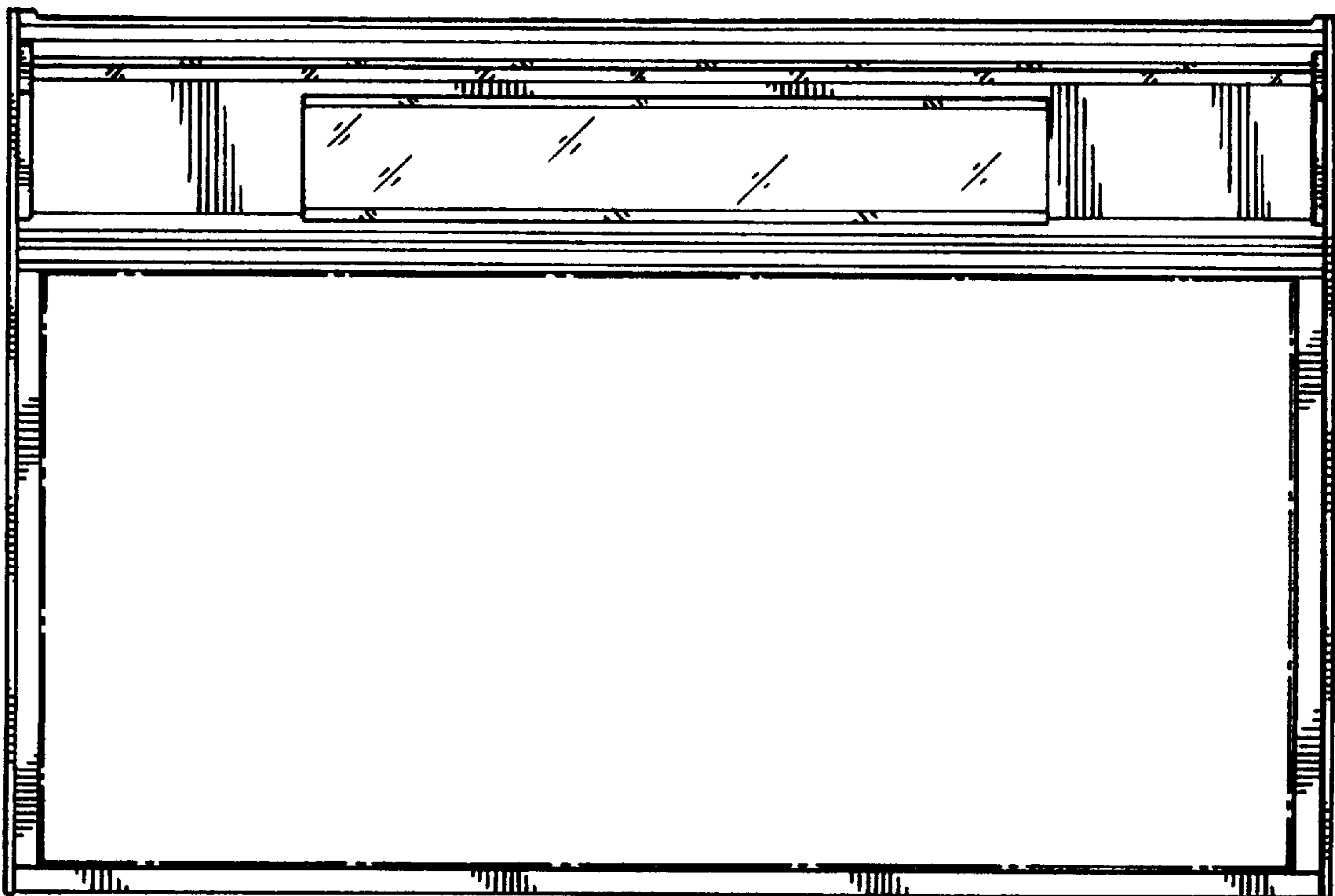


FIG. 4

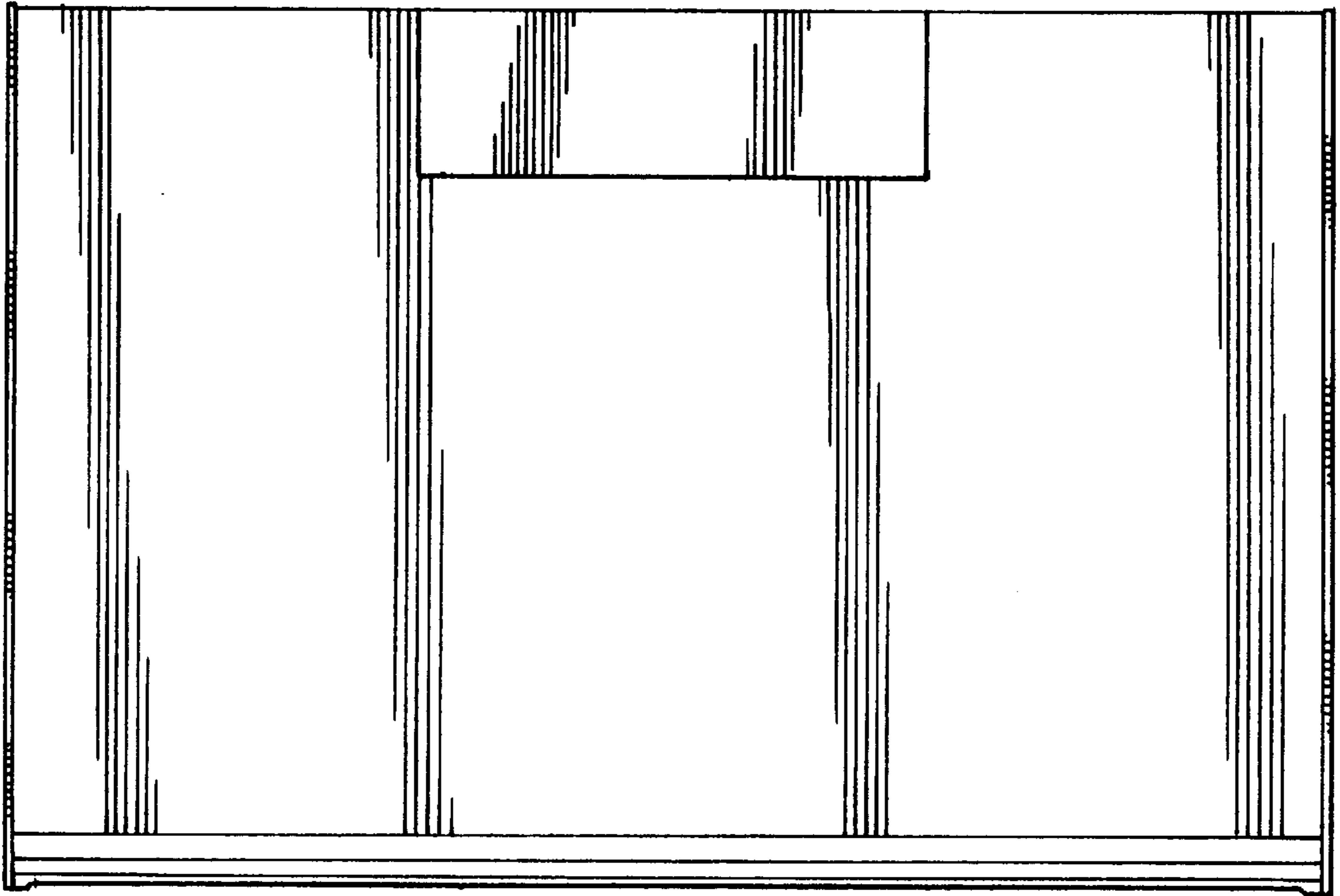


FIG. 5

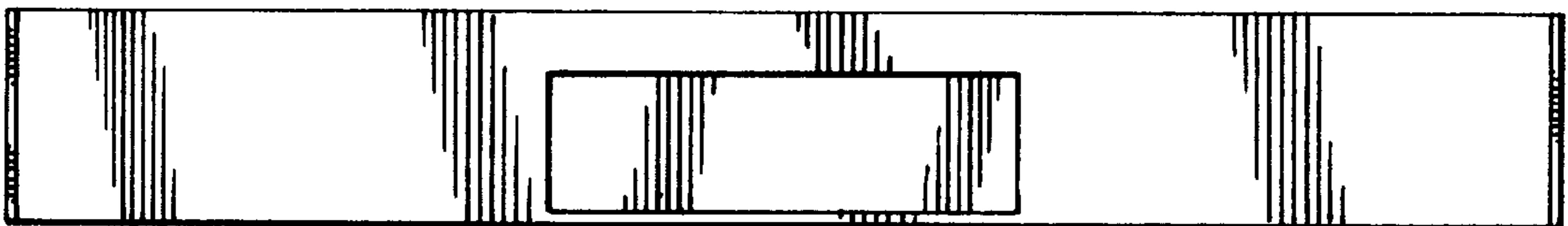


FIG. 6