



US00D436657S

(12) **United States Design Patent**  
**Heatter**

(10) **Patent No.:** **US D436,657 S**

(45) **Date of Patent:** **\*\* Jan. 23, 2001**

(54) **FRAGRANCE IMPARTER**

(76) Inventor: **Merrill Heatter**, 1011 N. Roxbury Dr.,  
Beverly Hills, CA (US) 90210

(\*\*) Term: **14 Years**

(21) Appl. No.: **29/113,001**

(22) Filed: **Oct. 26, 1999**

(51) **LOC (7) Cl.** ..... **23-04**

(52) **U.S. Cl.** ..... **D23/366**

(58) **Field of Search** ..... **D23/366-369;**  
**239/60, 34, 55; 422/305; 261/DIG. 65**

(56) **References Cited**

**U.S. PATENT DOCUMENTS**

D. 390,940 \* 2/1998 Chen ..... D23/366

\* cited by examiner

*Primary Examiner*—Lisa Lichtenstein

(74) *Attorney, Agent, or Firm*—Donald D. Mon

(57) **CLAIM**

A fragrance imparter, as shown in the drawings.

**DESCRIPTION**

FIG. 1 is a perspective view looking obliquely at the rear of the imparter;

FIG. 2 is a perspective view looking obliquely at the front of the imparter;

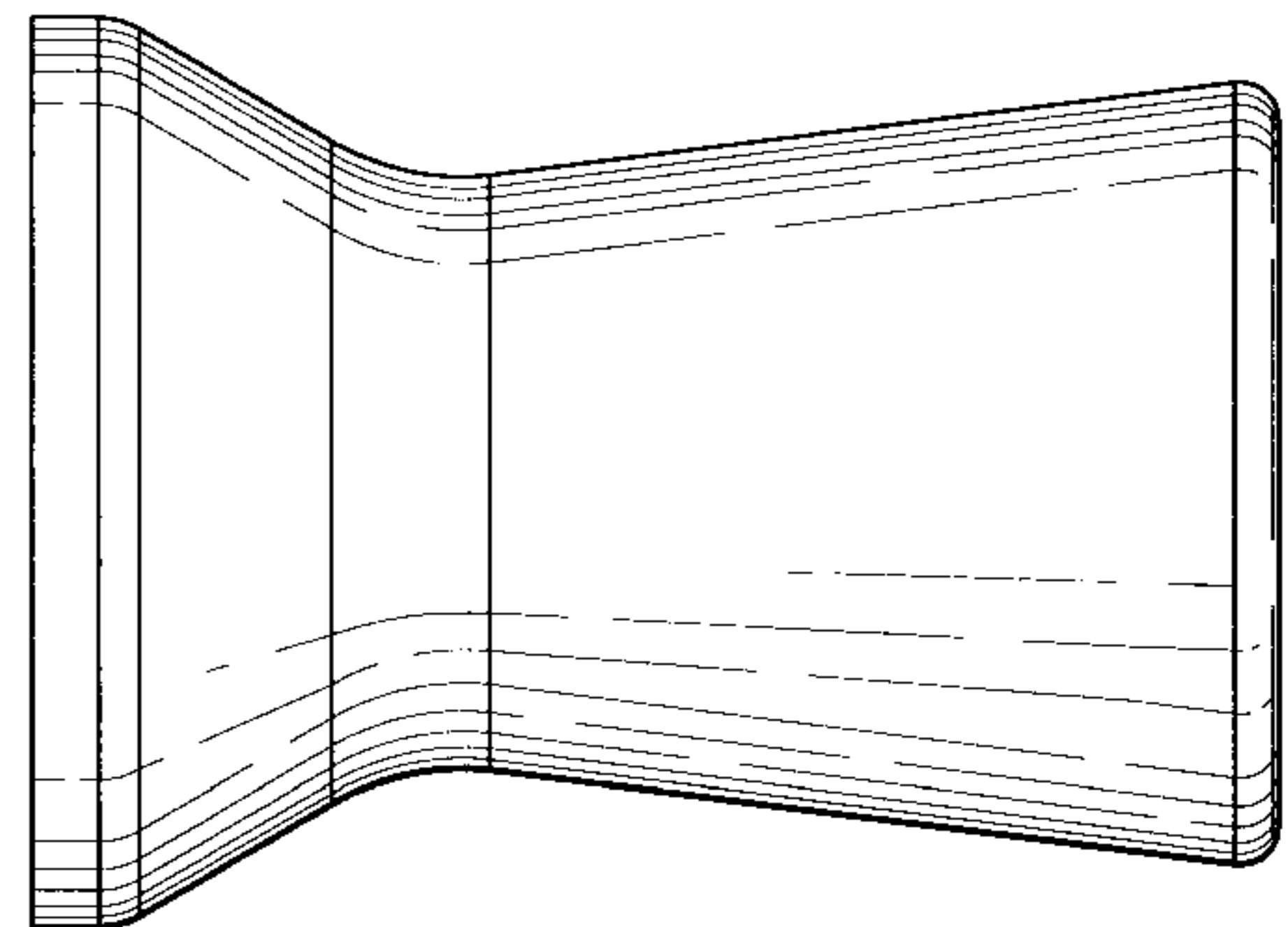
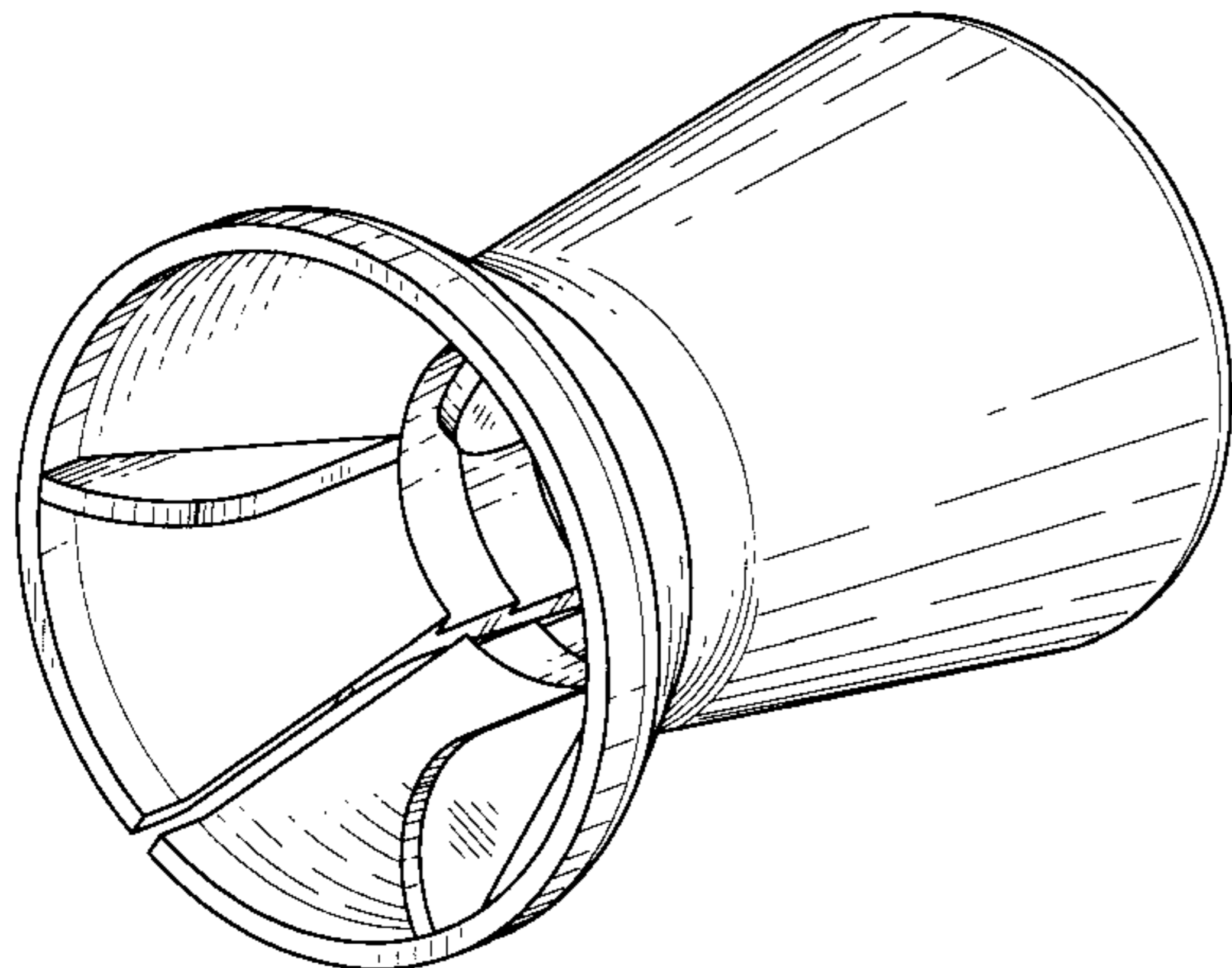
FIG. 3 is a rear view of the imparter;

FIG. 4 is a right side view of FIG. 3;

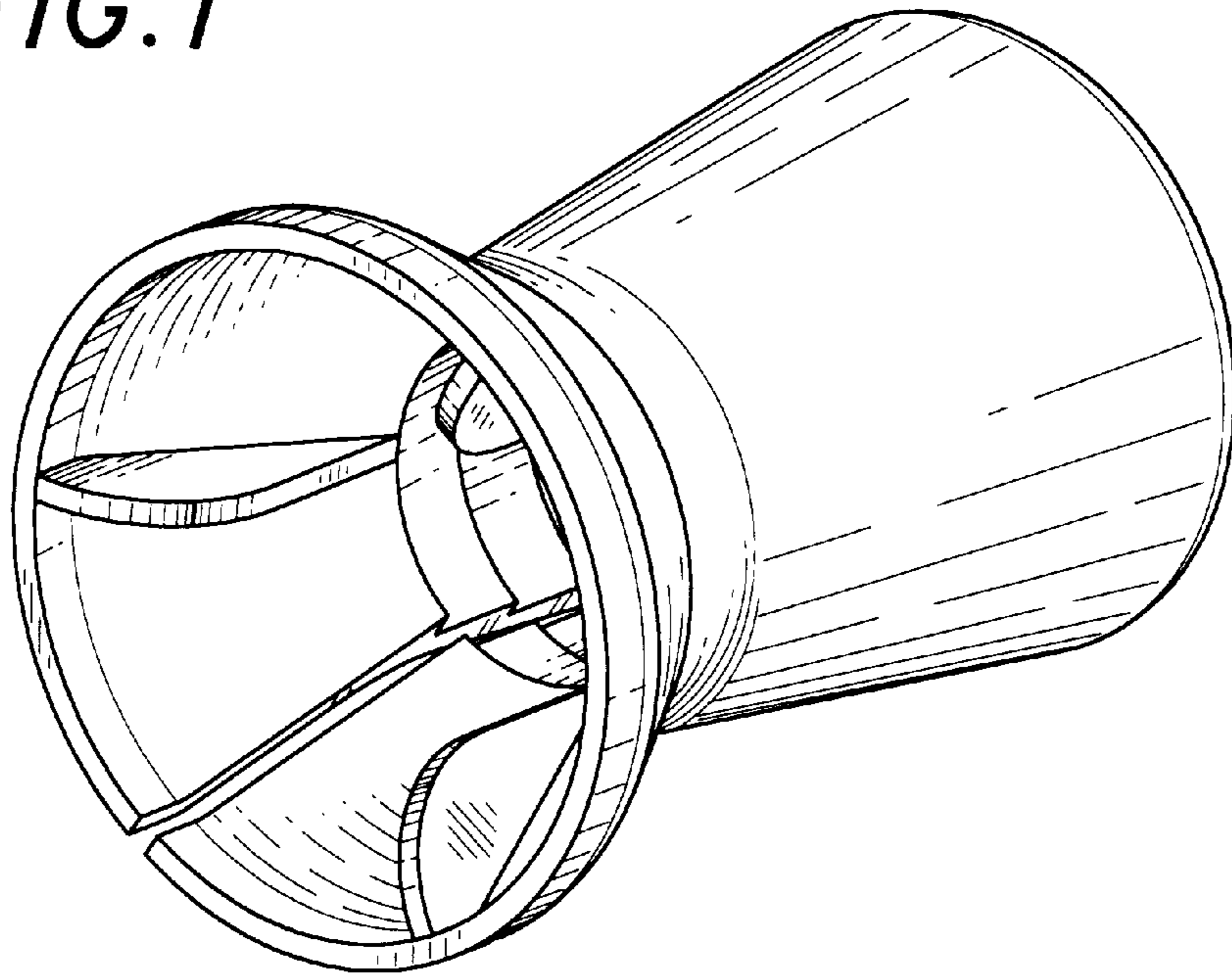
FIG. 5 is a right side view of FIG. 4; and,

FIG. 6 is a bottom view of FIG. 3.

**1 Claim, 2 Drawing Sheets**



*FIG. 1*



*FIG. 2*

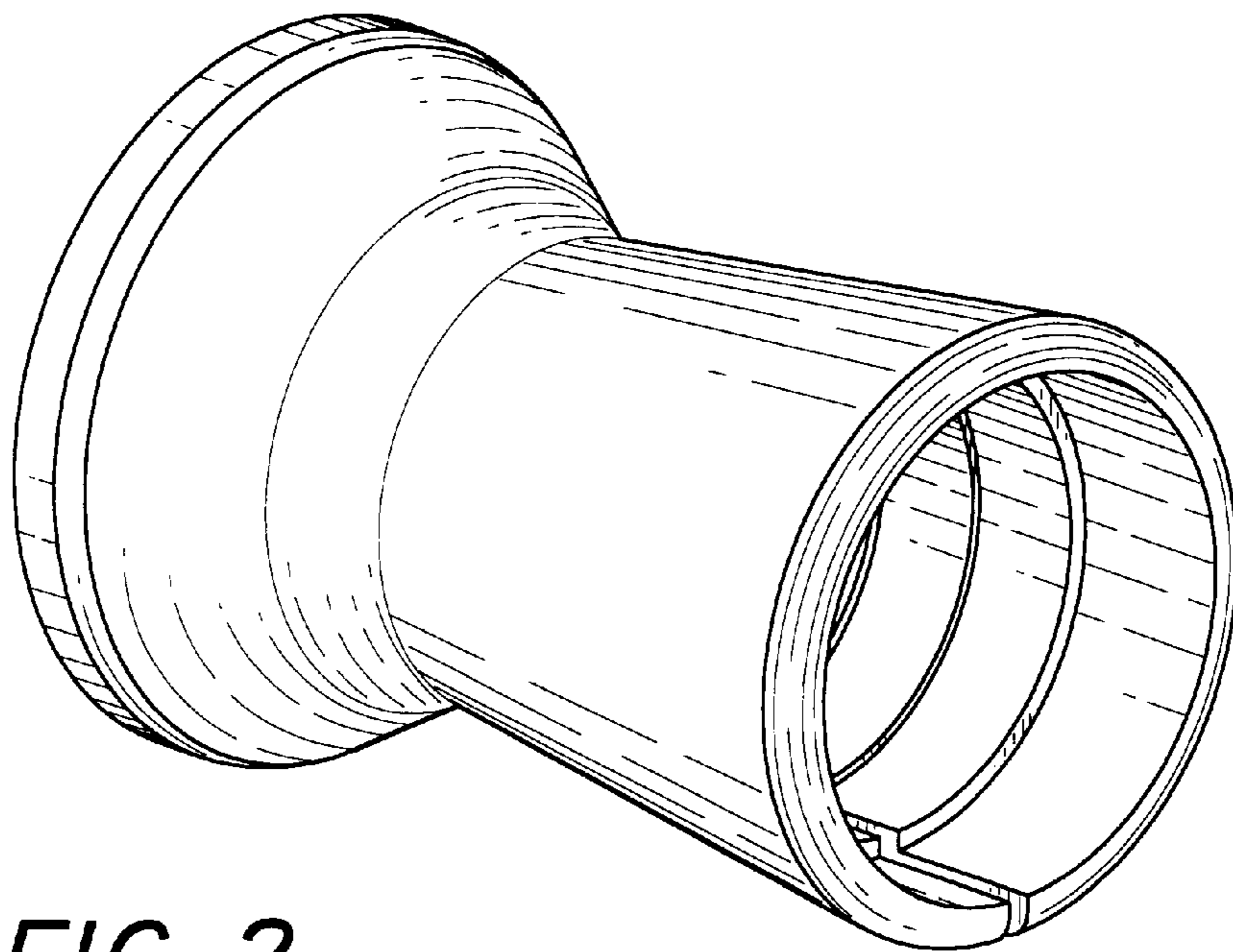


FIG. 3

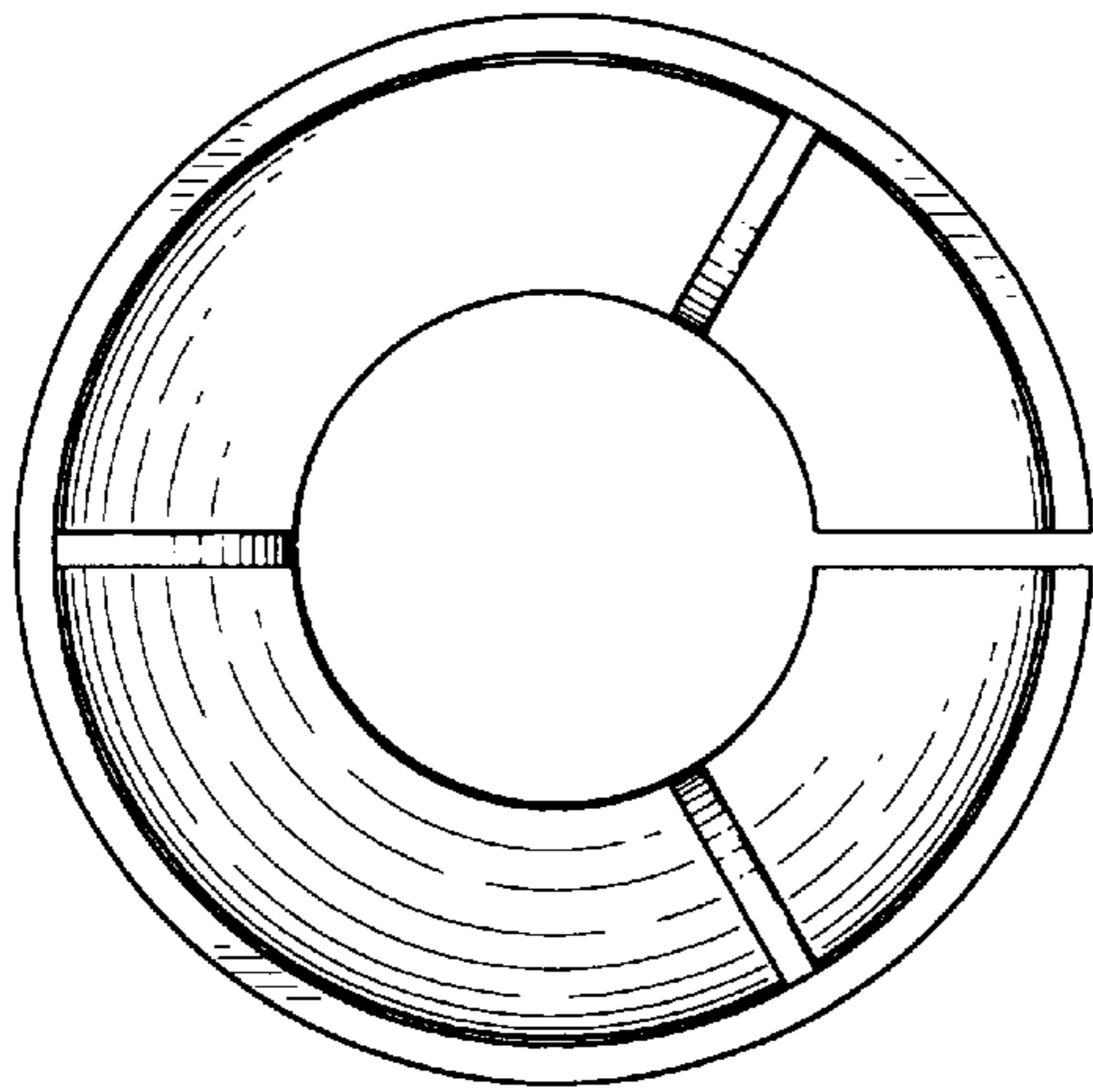


FIG. 4

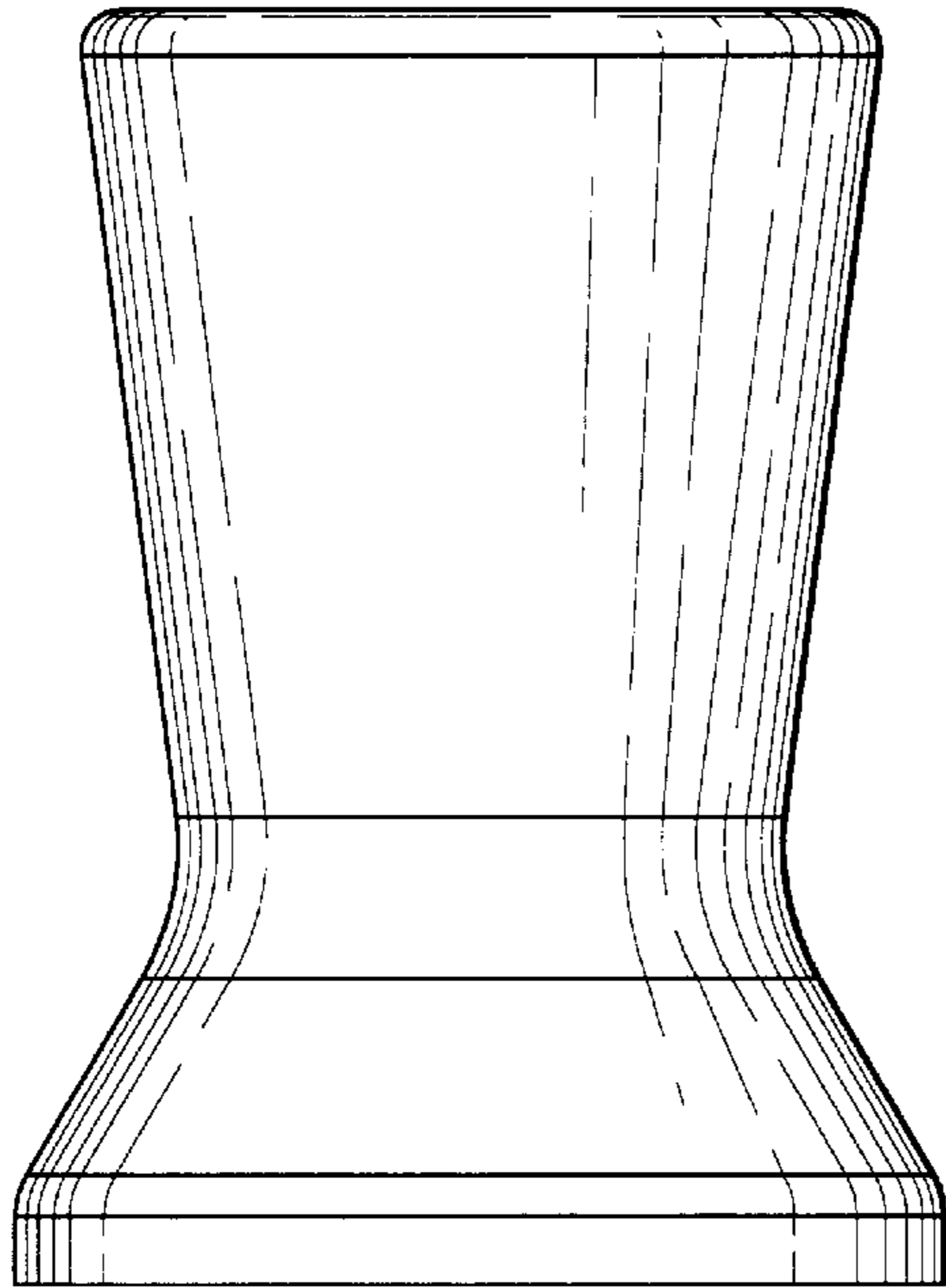


FIG. 5

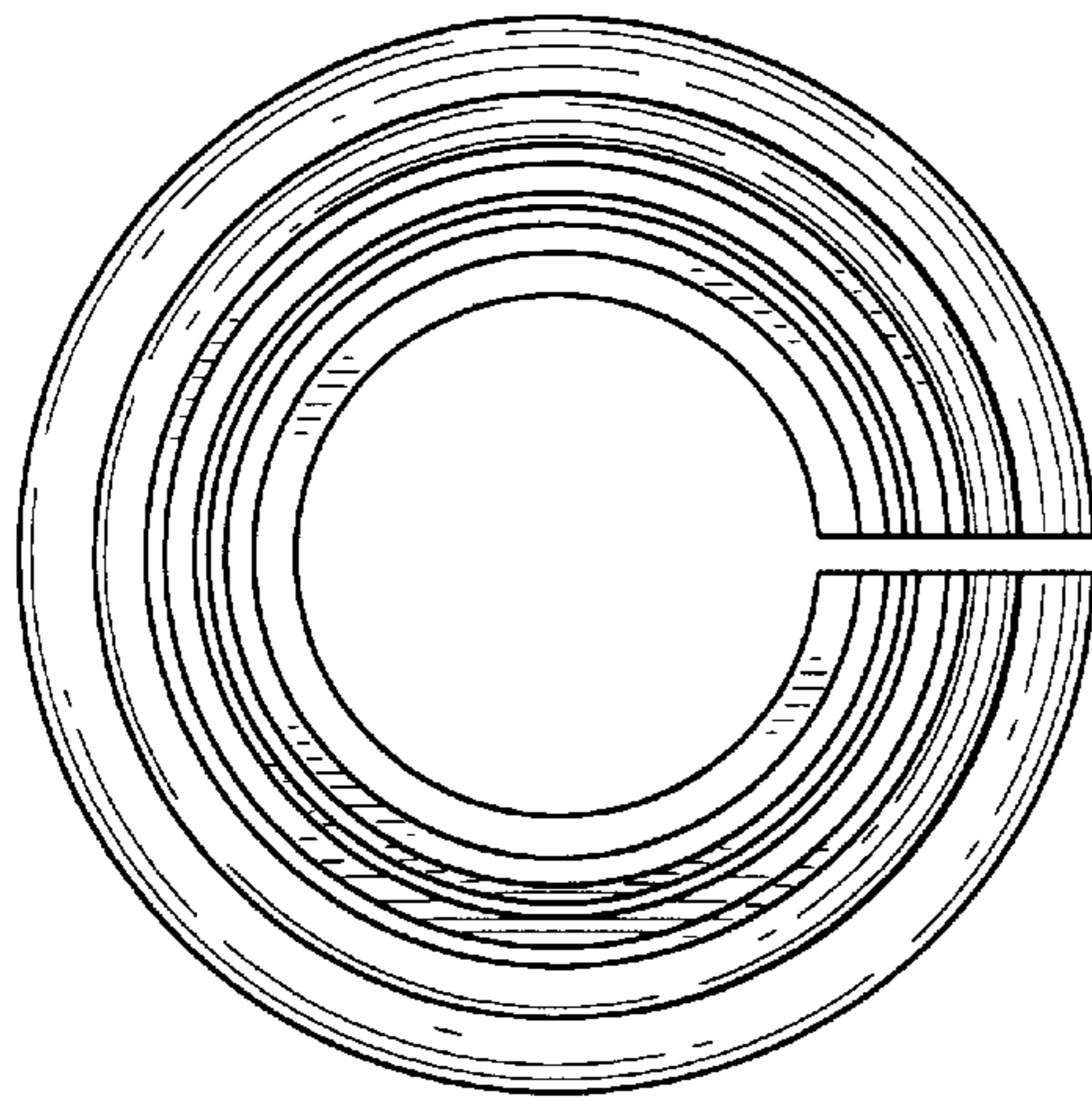


FIG. 6

