



US00D436655S

(12) **United States Design Patent**
Hotaling et al.

(10) **Patent No.:** **US D436,655 S**
(45) **Date of Patent:** **** Jan. 23, 2001**

(54) **BATHTUB STEP STOOL**

(75) Inventors: **Bryan R. Hotaling**, Arlington; **Jon R. Rossman**, Chelmsford, both of MA (US)

(73) Assignee: **The First Years Inc.**, Lake Forest, CA (US)

(**) Term: **14 Years**

(21) Appl. No.: **29/108,188**

(22) Filed: **Jul. 22, 1999**

(51) **LOC (7) Cl.** **01-00**

(52) **U.S. Cl.** **D23/278**

(58) **Field of Search** D23/278, 277, D23/280.4, 296; 4/572.1, 585, 586

(56) **References Cited**

U.S. PATENT DOCUMENTS

- D. 286,810 * 11/1986 Greene D23/278
- 5,425,149 * 6/1995 Crosslay et al. 4/572.1

* cited by examiner

Primary Examiner—Doris Clark

(74) *Attorney, Agent, or Firm*—Fish & Richardson P.C.

(57) **CLAIM**

The ornamental design for a bathtub step stool, as shown and described.

DESCRIPTION

FIG. 1 is a perspective view of a bathtub step stool embodying the new design in a bathtub configuration.

FIG. 2 is a perspective view of the bathtub step stool shown in FIG. 1 in a step stool configuration.

FIG. 3 is a front view of the bathtub step stool in the bathtub configuration shown in FIG. 1.

FIG. 4 is a back view of the bathtub step stool in the bathtub configuration shown in FIG. 1.

FIG. 5 is a left side view of the bathtub step stool in the bathtub configuration shown in FIG. 1.

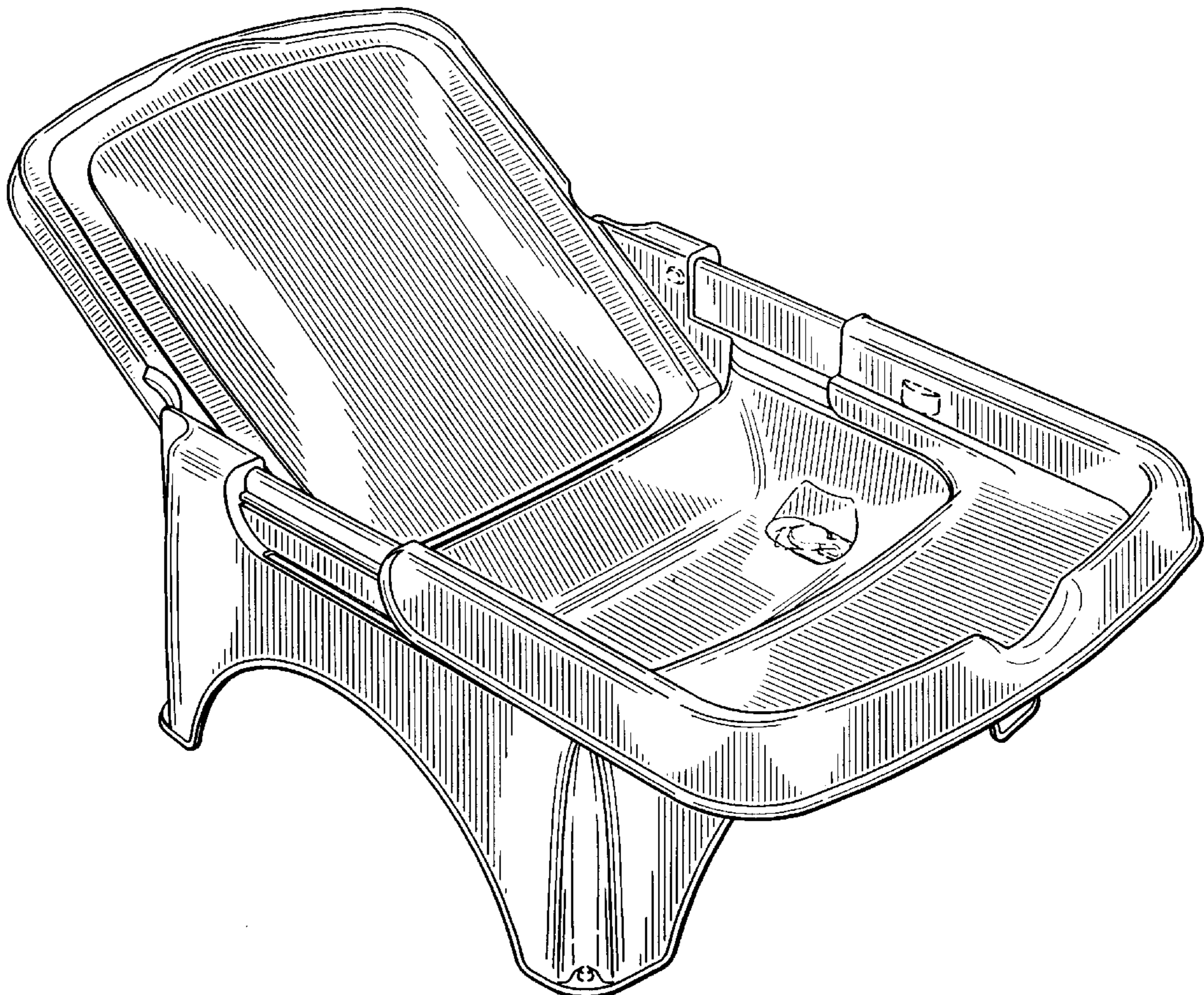
FIG. 6 is a right side view of the bathtub step stool in the bathtub configuration shown in FIG. 1.

FIG. 7 is a bottom view of the bathtub step stool in the bathtub configuration shown in FIG. 1; and,

FIG. 8 is a top view of the bathtub step stool in the bathtub configuration shown in FIG. 1.

Dashed lines in the drawings indicate environmental information that forms no part of the ornamental design of the bathtub step stool.

1 Claim, 7 Drawing Sheets



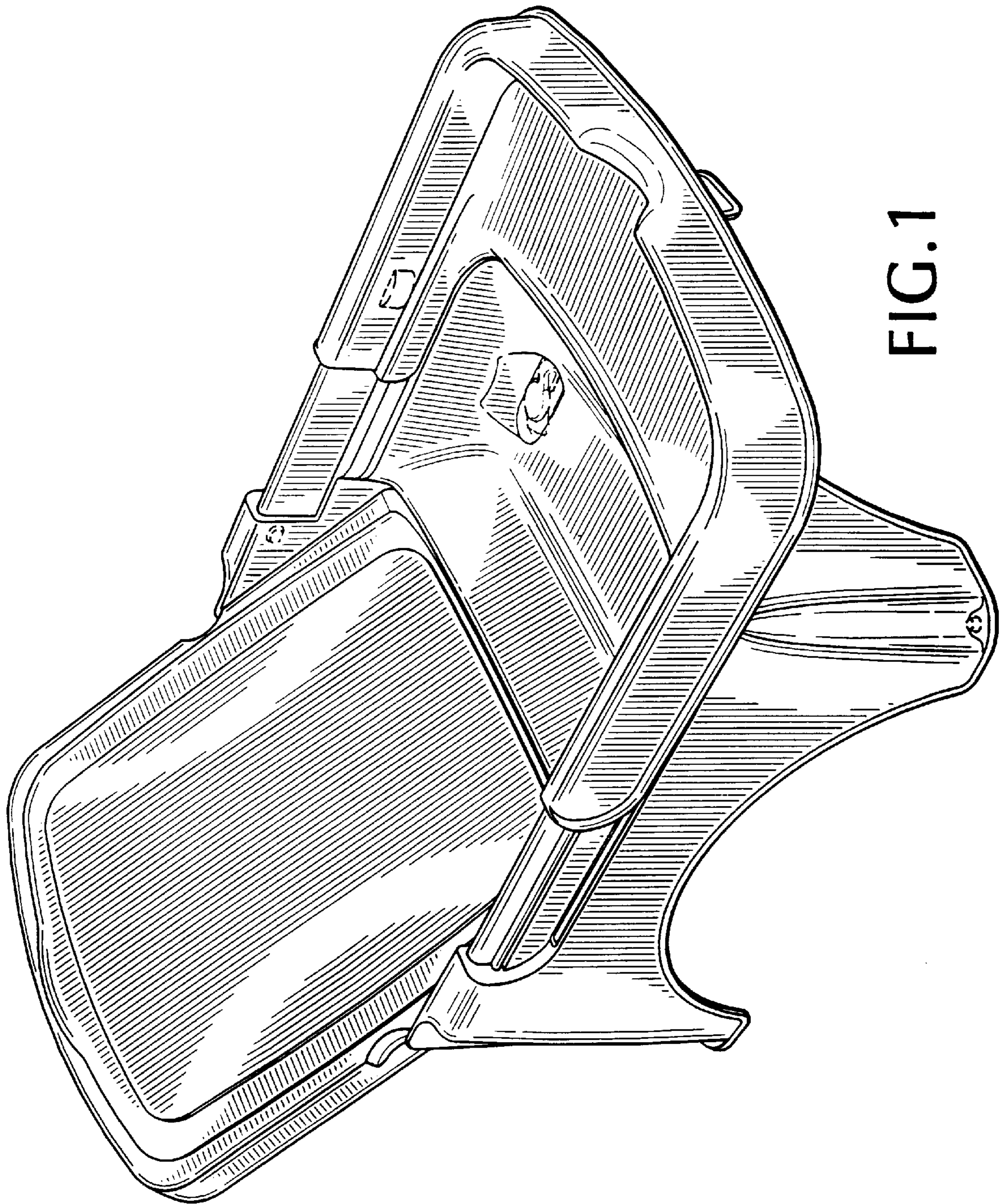


FIG. 1

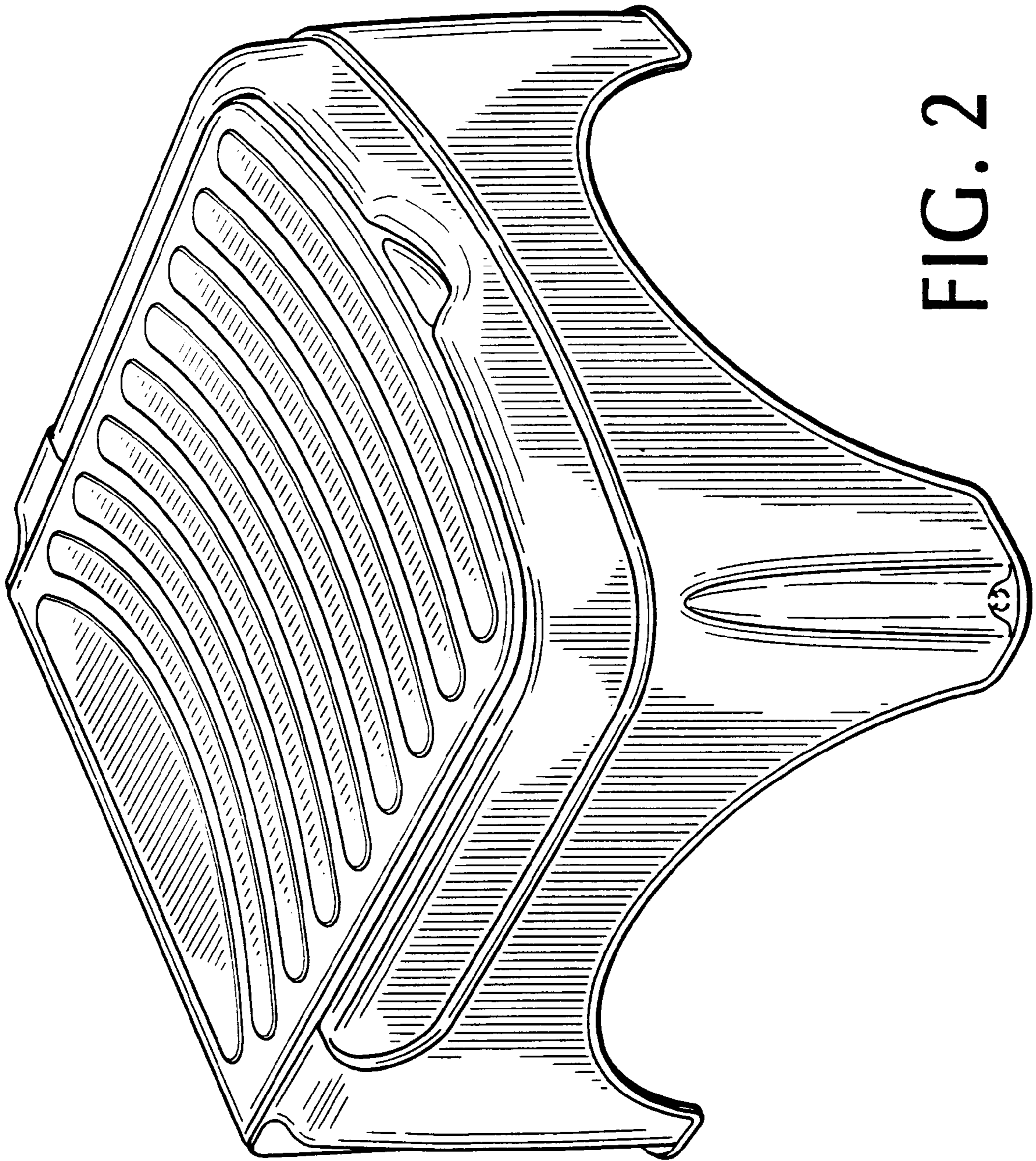


FIG. 2

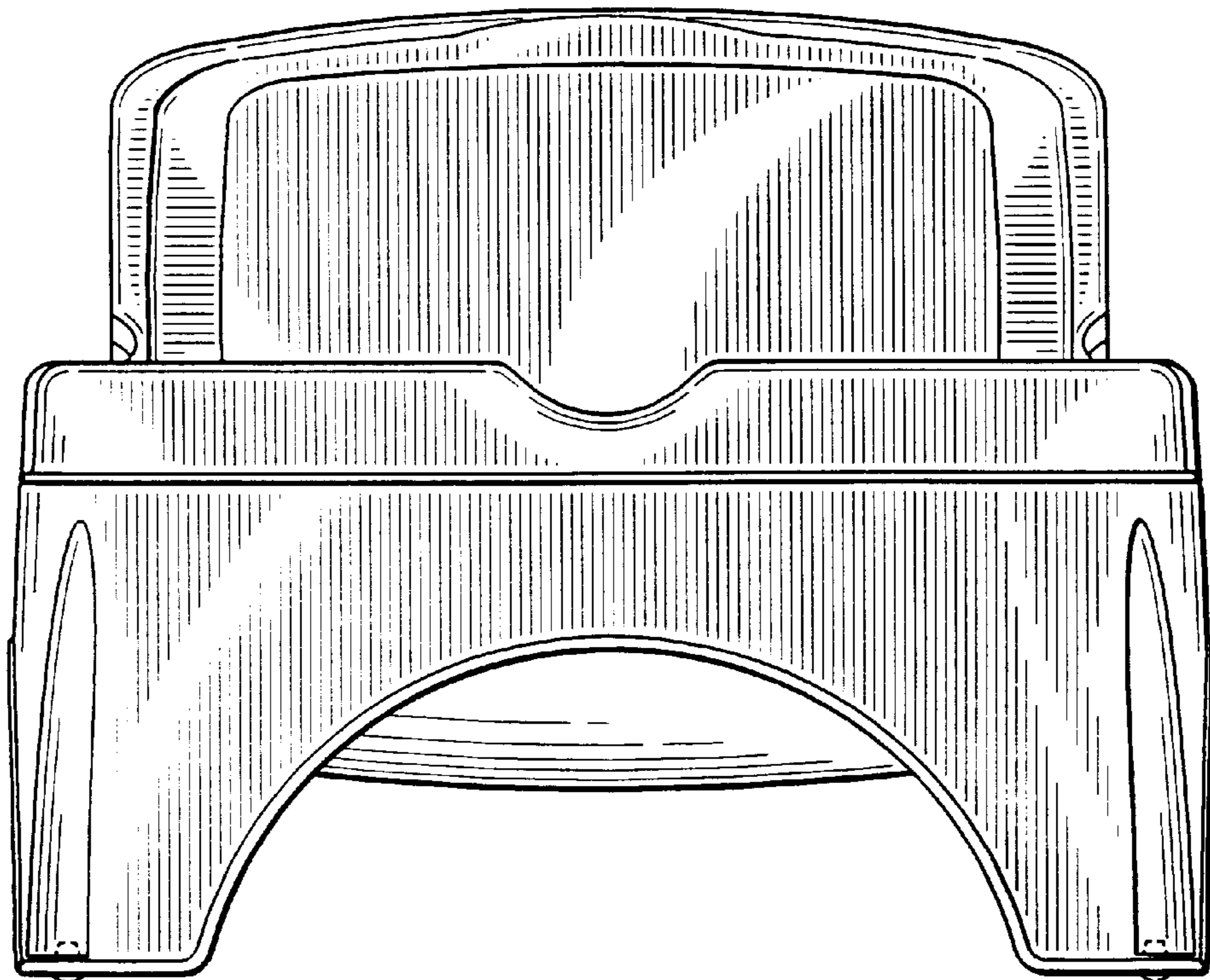


FIG. 3

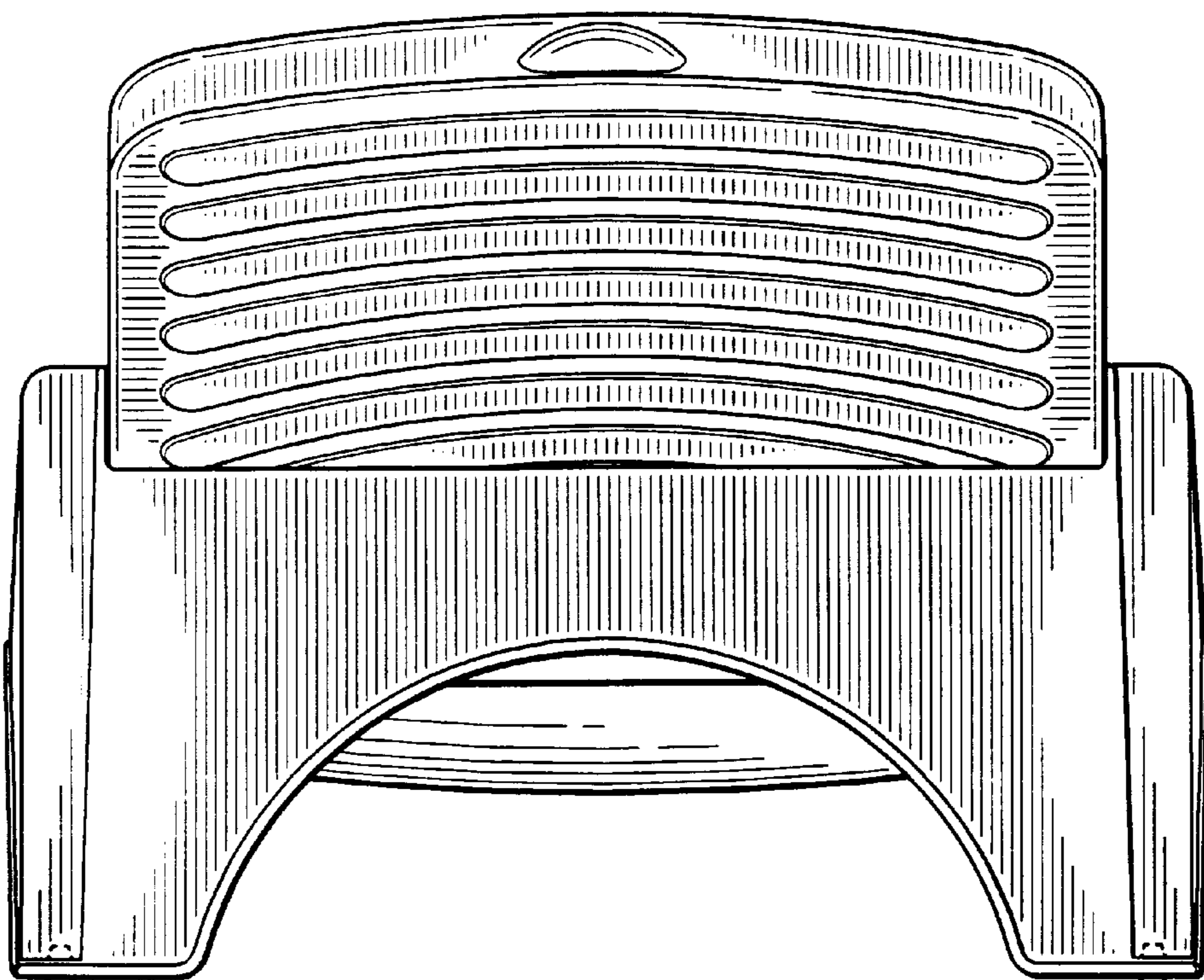


FIG. 4

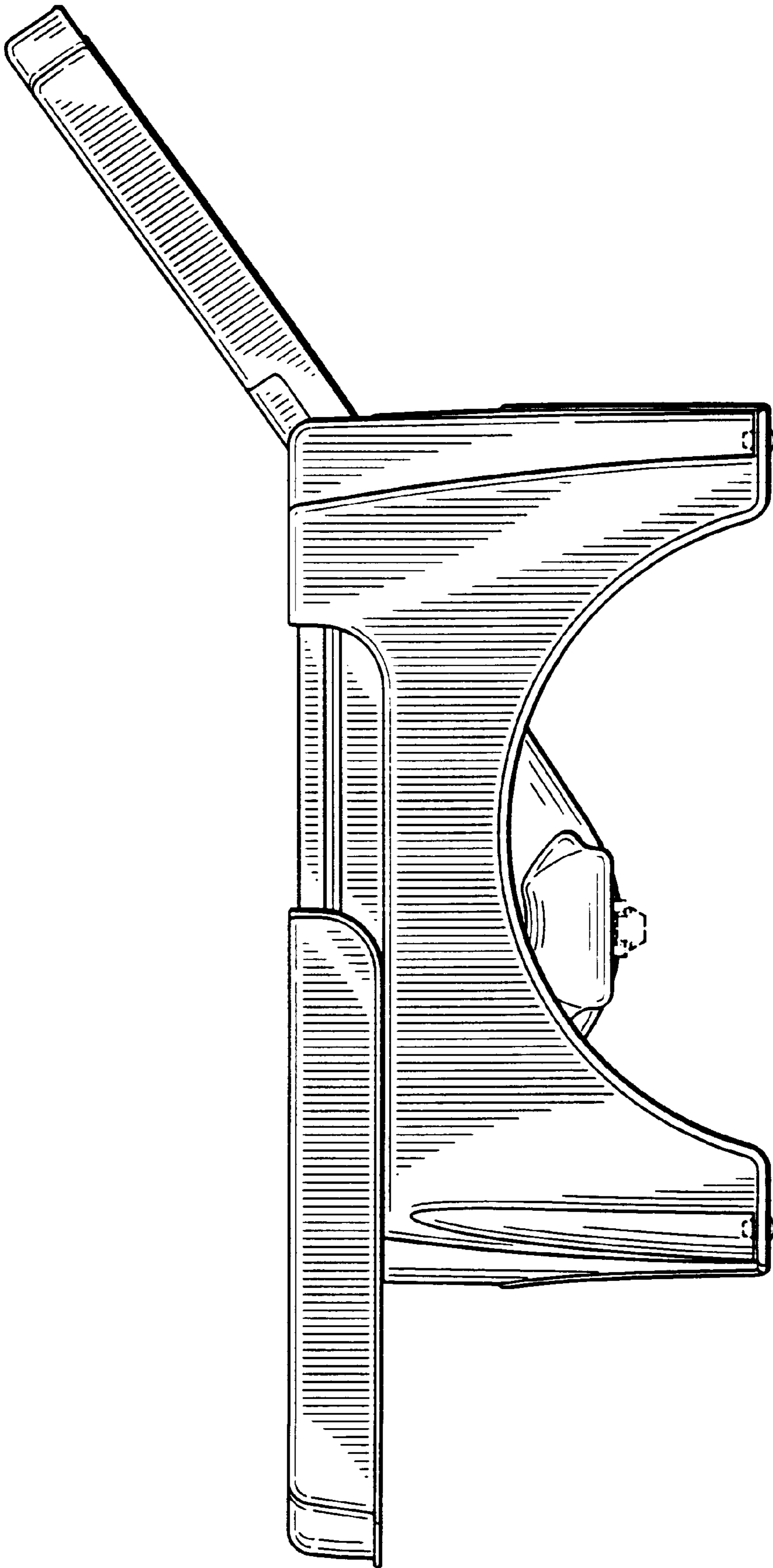


FIG. 5

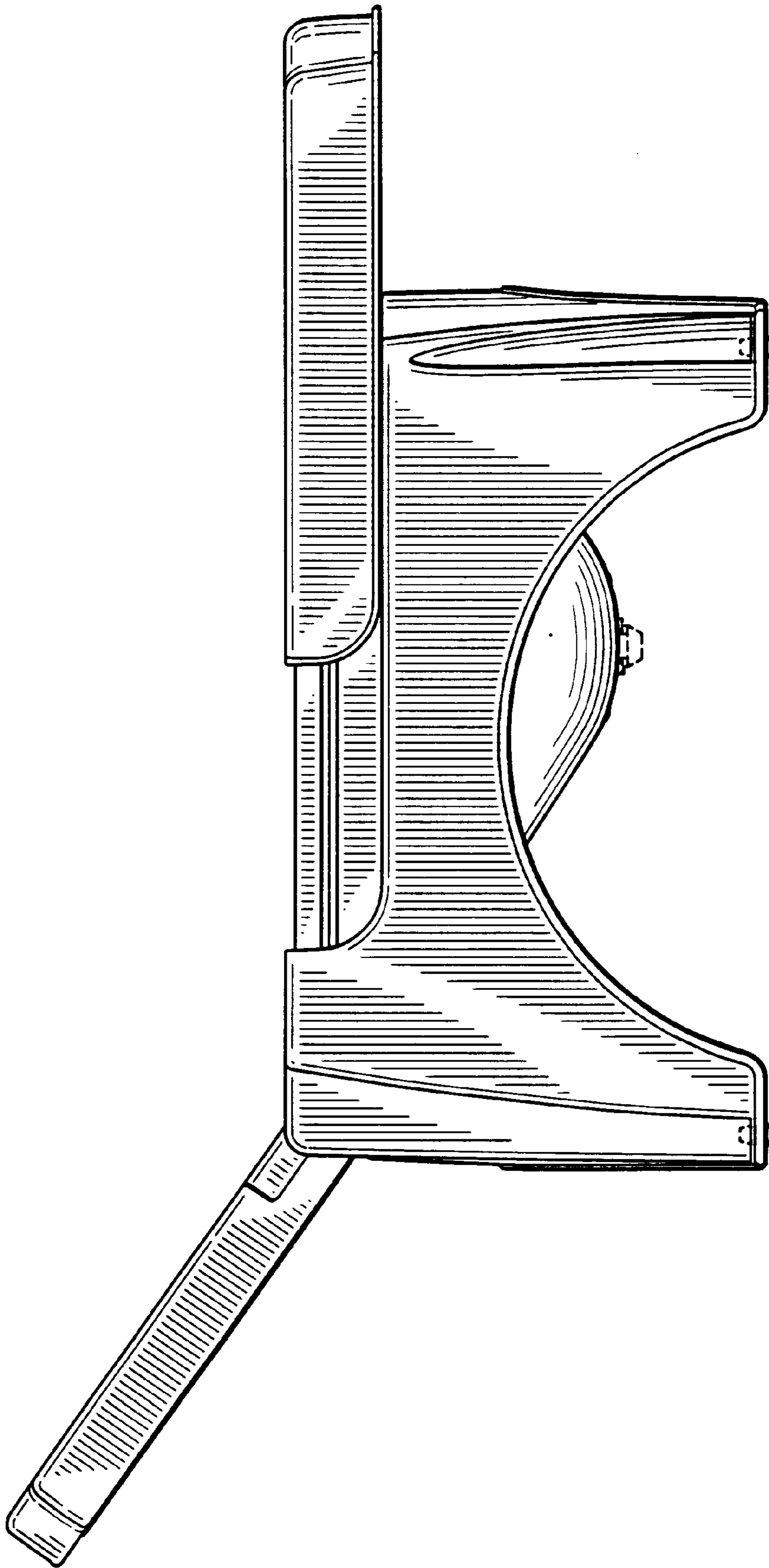


FIG. 6

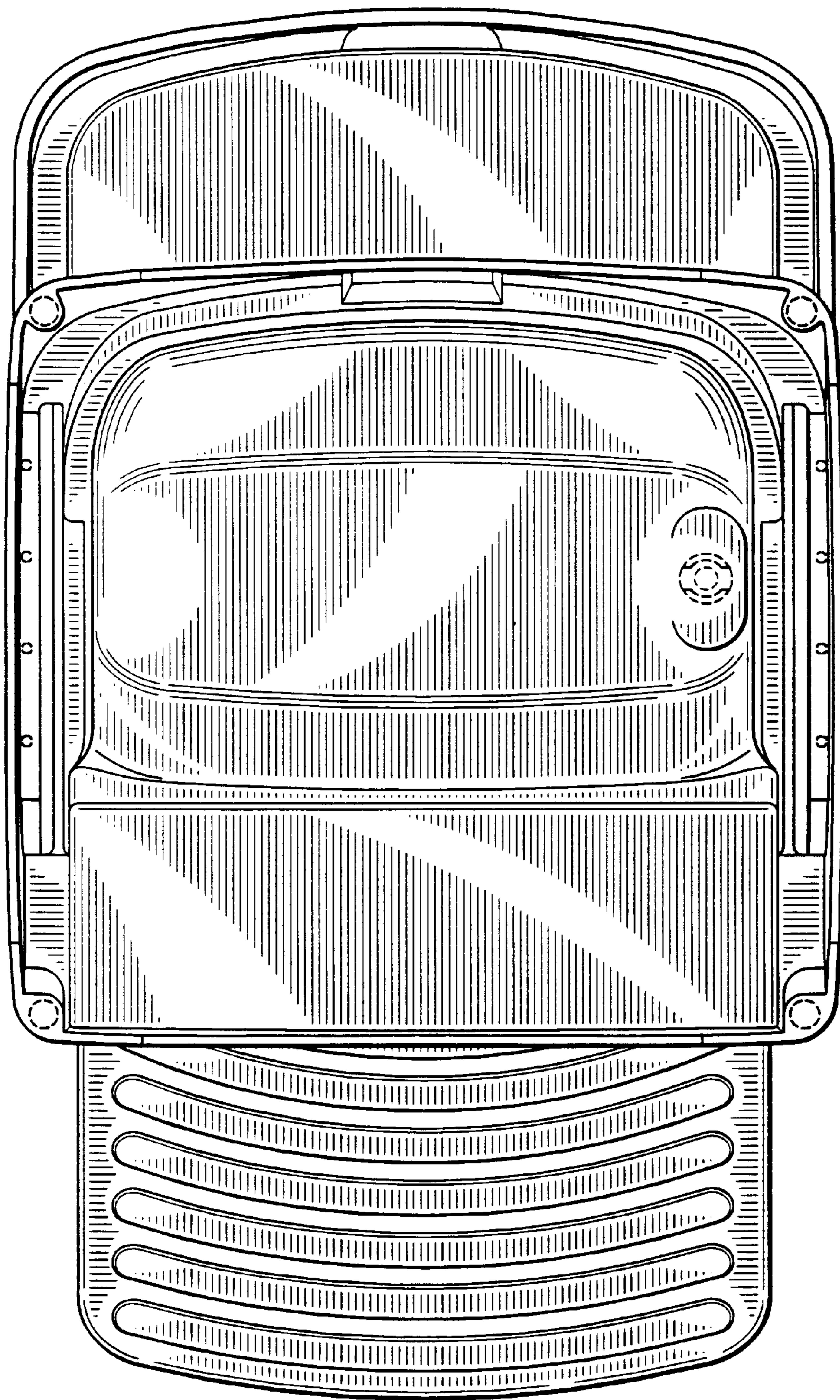


FIG. 7

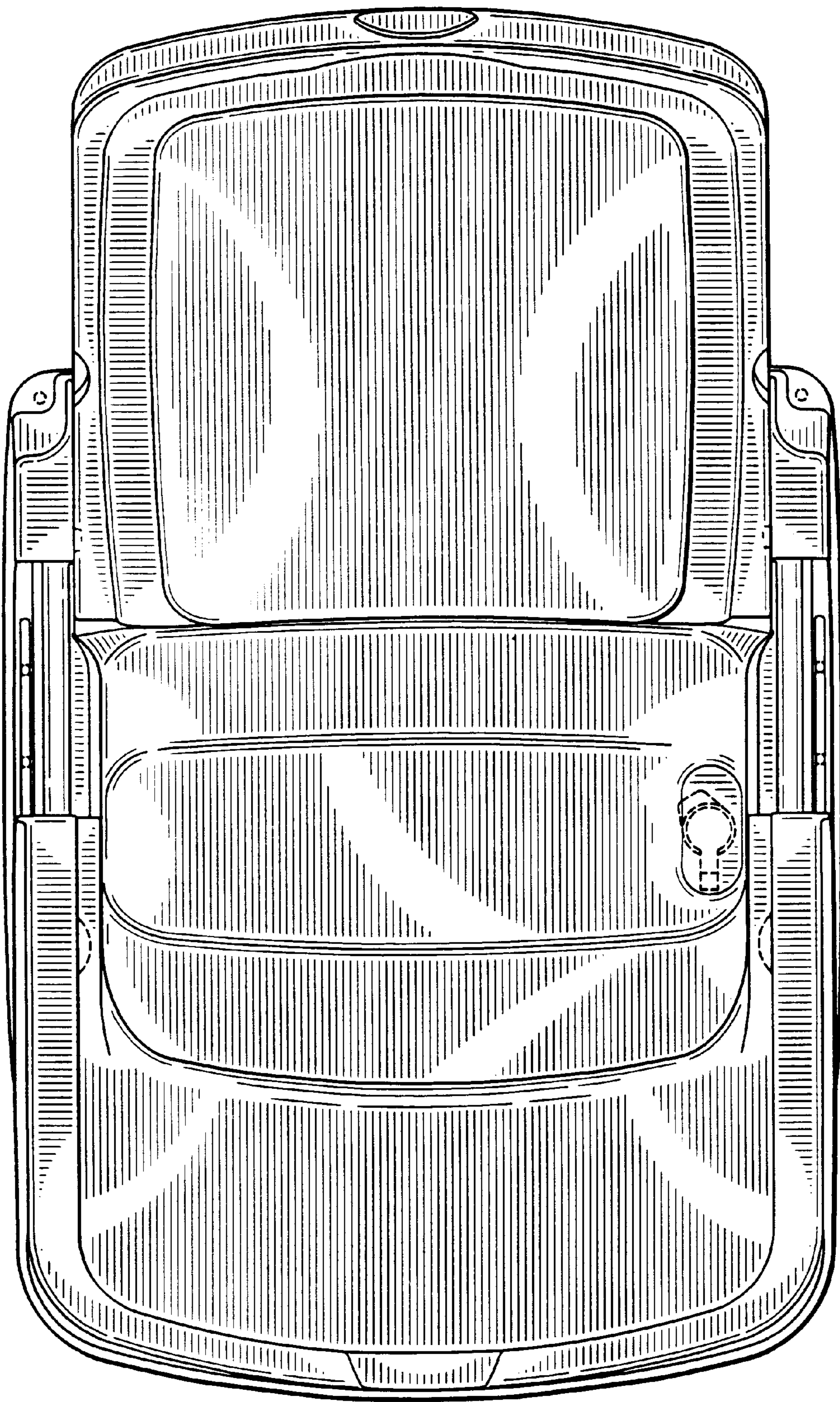


FIG. 8