



US00D436653S

(12) **United States Design Patent**  
**Lefroy-Brooks**

(10) **Patent No.:** **US D436,653 S**

(45) **Date of Patent:** **\*\* Jan. 23, 2001**

(54) **SHOWER MIXER**

4,854,499 \* 8/1989 Neuman ..... 4/192

(76) Inventor: **Christopher Alan Lefroy-Brooks**, 1  
Grimsdells Corner, Sycamore Road,  
Amersham, Buckinghamshire HP6 5EL  
(GB)

\* cited by examiner

*Primary Examiner*—Doris Clark  
(74) *Attorney, Agent, or Firm*—Ratner & Prestia

(\*\*) Term: **14 Years**

(57) **CLAIM**

The ornamental design for a shower mixer, as shown and described.

(21) Appl. No.: **29/112,449**

(22) Filed: **Oct. 15, 1999**

**DESCRIPTION**

(30) **Foreign Application Priority Data**

Apr. 16, 1999 (GB) ..... 2082725

FIG. 1 is a perspective view of a shower mixer showing my new design;

(51) **LOC (7) Cl.** ..... **23-01**

FIG. 2 is a left side view of the shower mixer;

(52) **U.S. Cl.** ..... **D23/241**

FIG. 3 is a front view of the shower mixer;

(58) **Field of Search** ..... D23/303, 304,  
D23/241; 4/598, 596, 676, 192

FIG. 4 is a top view of the shower mixer; and,

FIG. 5 is a bottom view of the shower mixer.

(56) **References Cited**

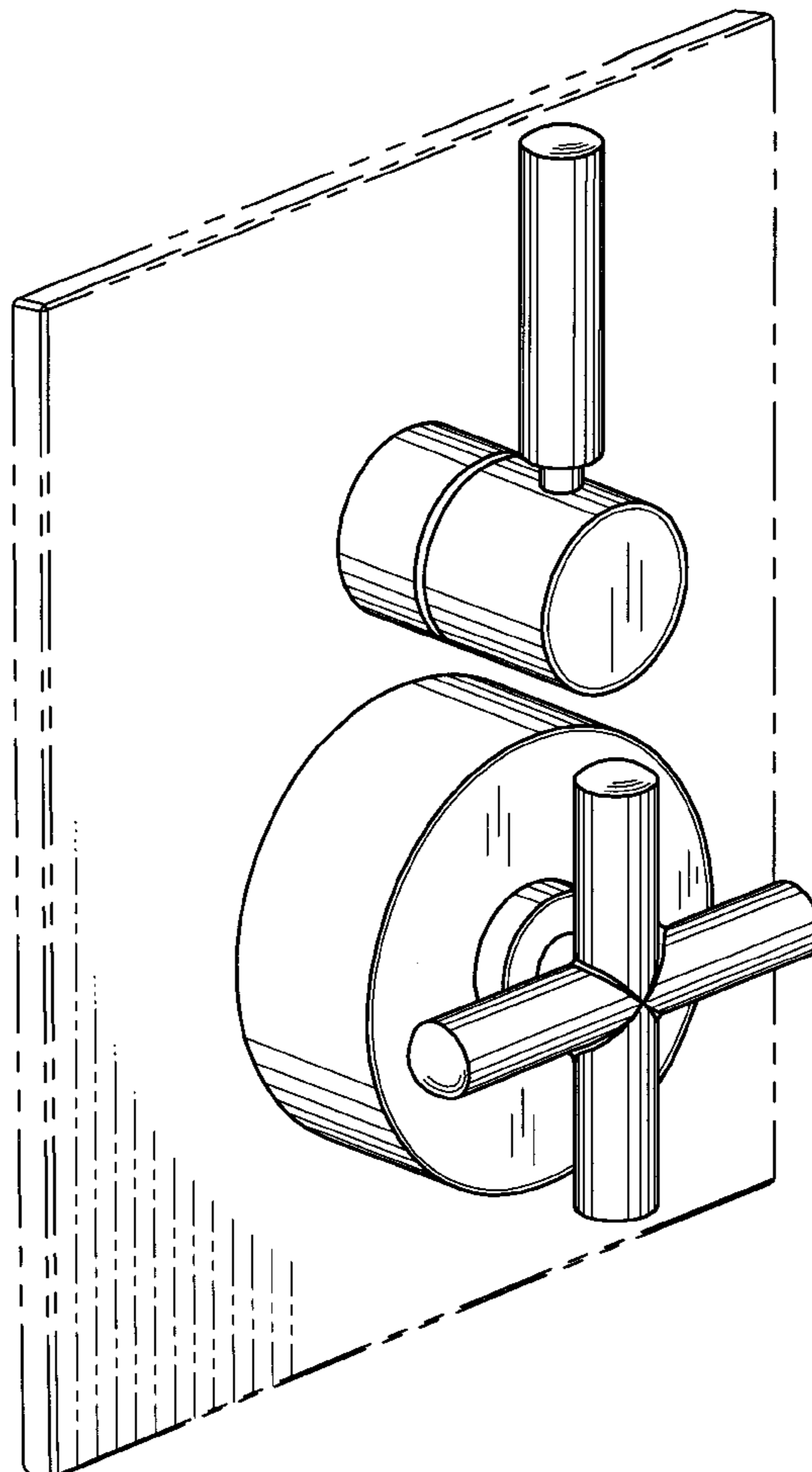
The left side view (FIG. 2) and the right side view (not shown) of the shower mixer are symmetrical. The back view (not shown) of the shower mixer is substantially flat and unornamented. The features shown in broken lines are provided for illustrative purposes only and form no part of the claimed design.

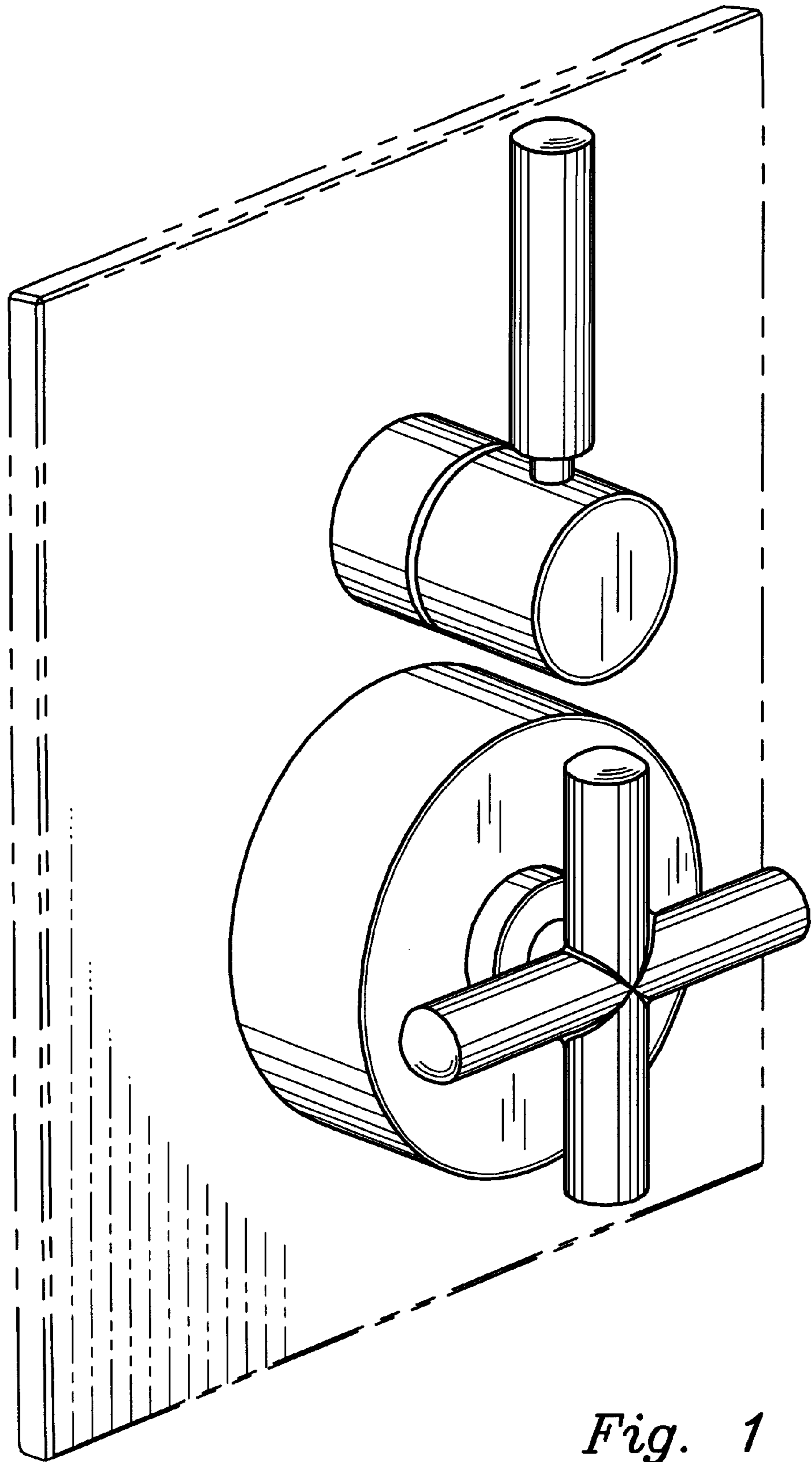
**U.S. PATENT DOCUMENTS**

D. 353,442 \* 12/1994 Formgren ..... D23/241

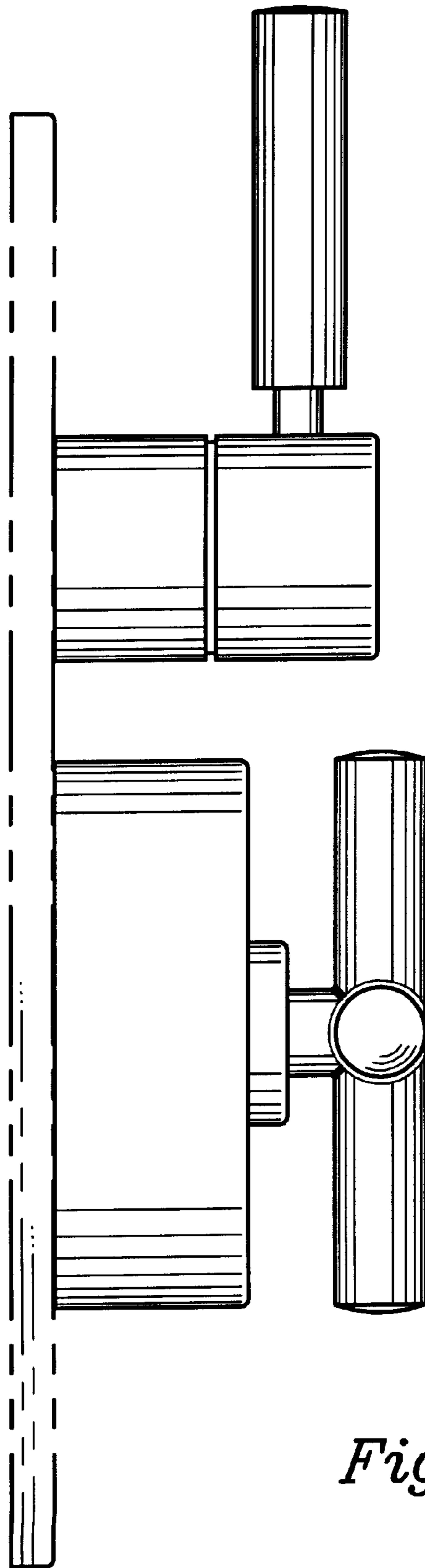
D. 353,651 \* 12/1994 Fromgren ..... D23/241

**1 Claim, 5 Drawing Sheets**

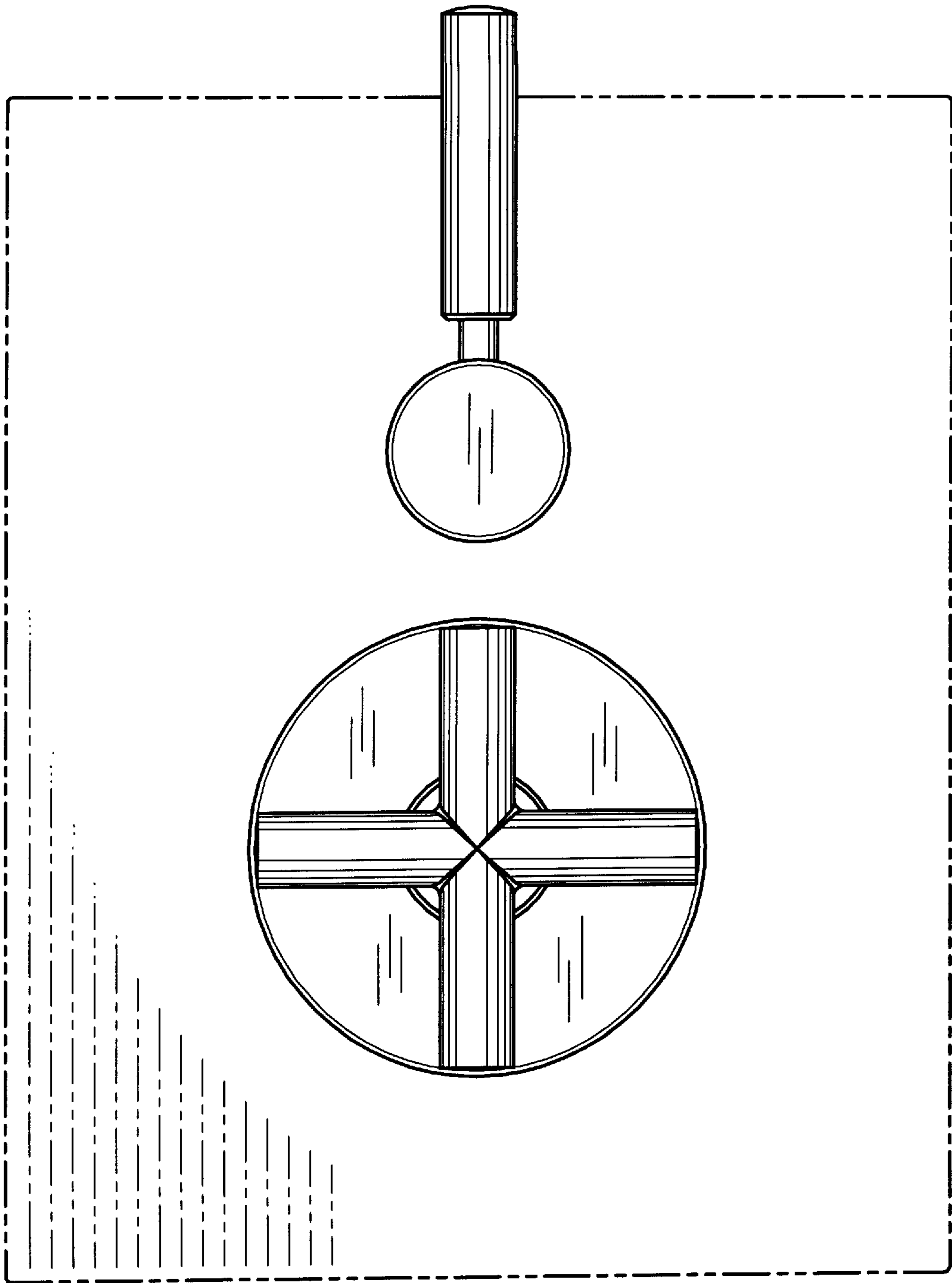




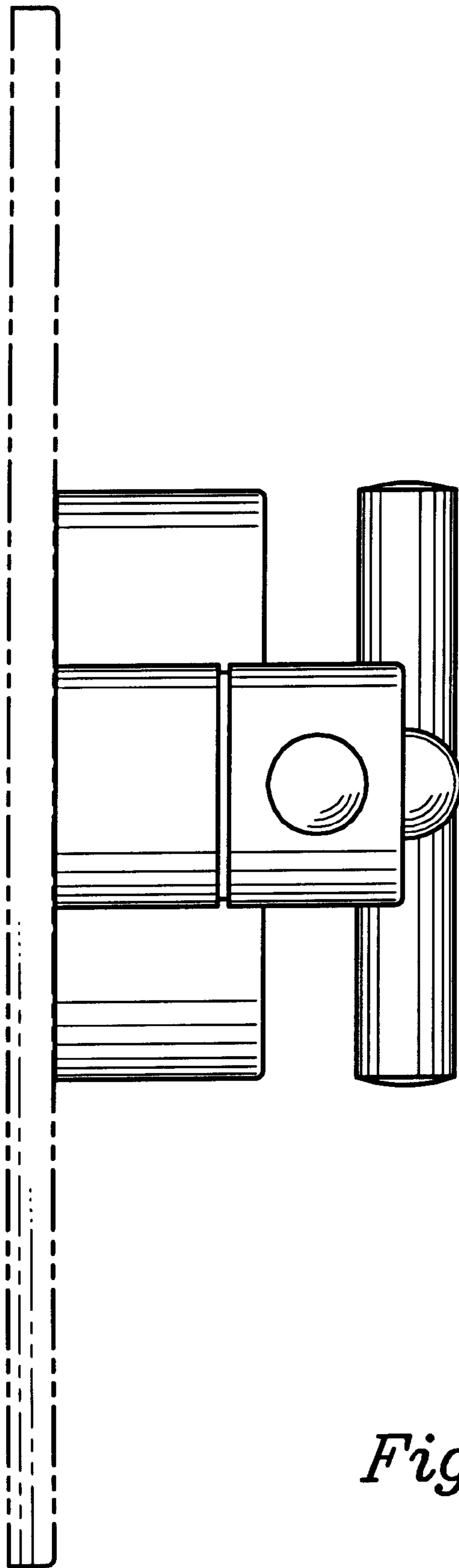
*Fig. 1*



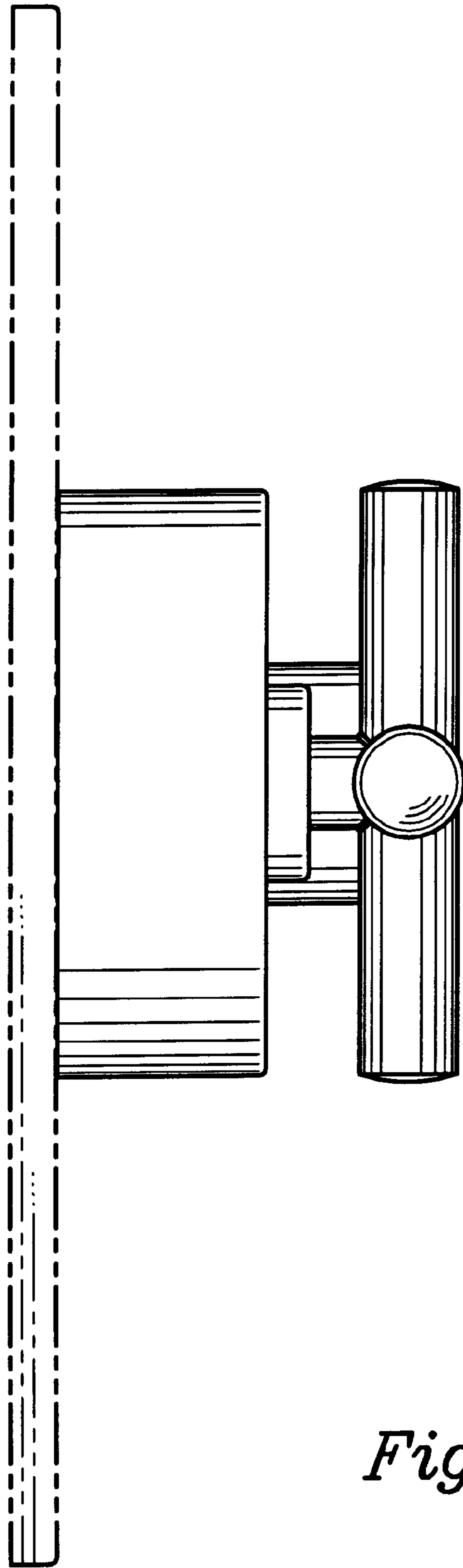
*Fig. 2*



*Fig. 3*



*Fig. 4*



*Fig. 5*