



US00D436646S

(12) **United States Design Patent**  
**Oyama et al.**

(10) **Patent No.:** **US D436,646 S**

(45) **Date of Patent:** **\*\* Jan. 23, 2001**

(54) **REEL SEAT FOR FISHING ROD**

2,835,245 \* 5/1958 Morgan ..... 43/23

(75) Inventors: **Mitsuyoshi Oyama**, Musashino;  
**Shigeru Yamamoto**, Higashikurume;  
**Yoshiharu Kiyota**, Higashikurume;  
**Teiji Matsubara**, Higashikurume;  
**Kaname Yamaguchi**, Higashikurume,  
all of (JP)

**FOREIGN PATENT DOCUMENTS**

551126 1/1981 (JP) .  
749134 8/1988 (JP) .  
810537 12/1990 (JP) .

\* cited by examiner

*Primary Examiner*—Louis S. Zarfes

*Assistant Examiner*—Inga-Maria Hyttinen

(73) Assignee: **Daiwa Seiko, Inc.** (JP)

(74) *Attorney, Agent, or Firm*—Liniak, Berenato, Longacre  
& White

(\*\*) Term: **14 Years**

(21) Appl. No.: **29/102,724**

(57) **CLAIM**

(22) Filed: **Mar. 29, 1999**

The ornamental design for a reel seat for fishing rod, as shown and described.

(51) **LOC (7) Cl.** ..... **22-05**

**DESCRIPTION**

(52) **U.S. Cl.** ..... **D22/142**

FIG. 1 is a perspective view of the bottom, rear and left side of a reel seat for fishing rod showing our new design;  
FIG. 2 is a left side elevational view thereof;  
FIG. 3 is a right side elevational view thereof;  
FIG. 4 is a top plan view thereof;  
FIG. 5 is a front elevational view thereof; and,  
FIG. 6 is a bottom plan view thereof.

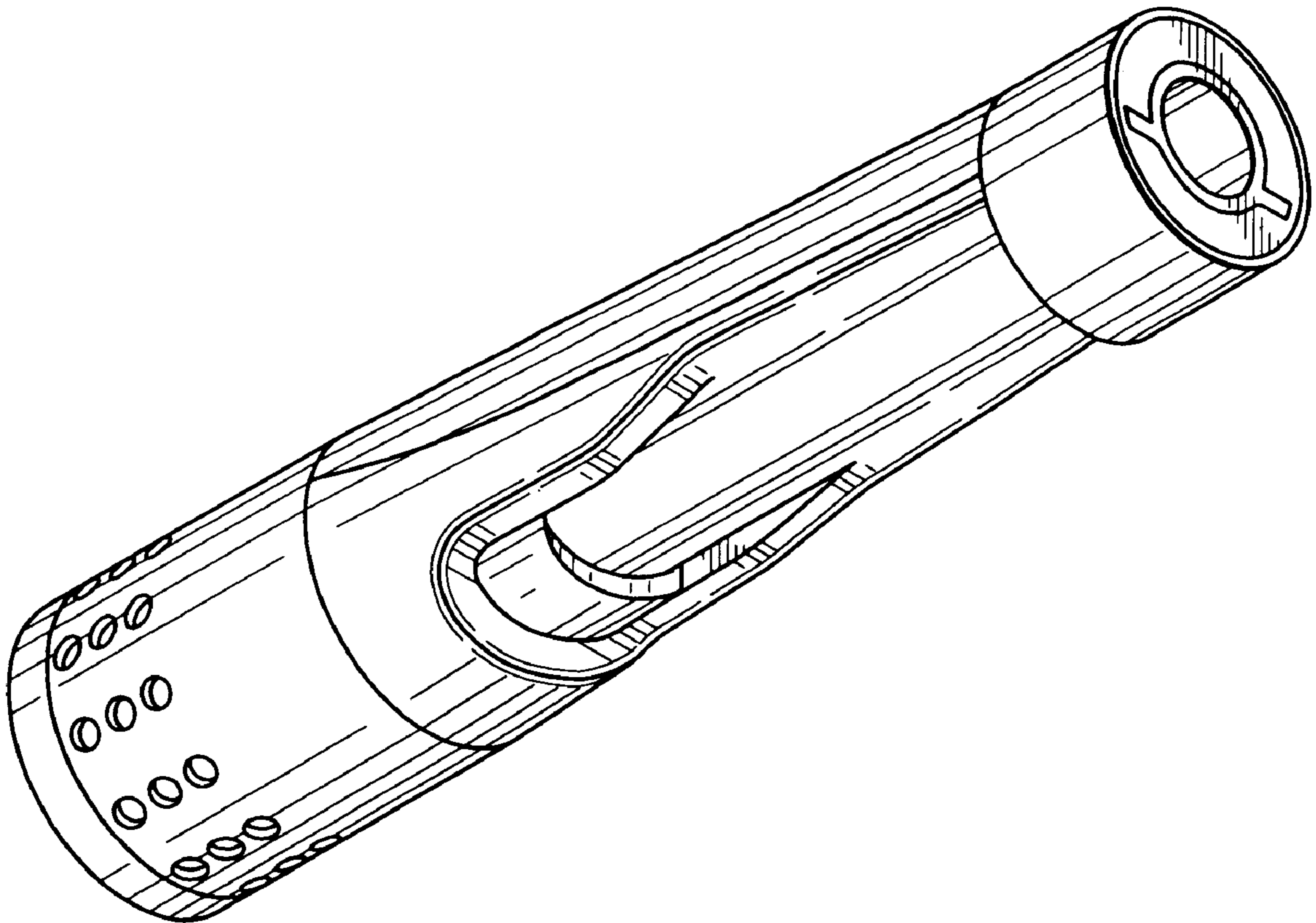
(58) **Field of Search** ..... D22/134, 137,  
D22/138, 139, 142; 43/18.1, 22, 23

(56) **References Cited**

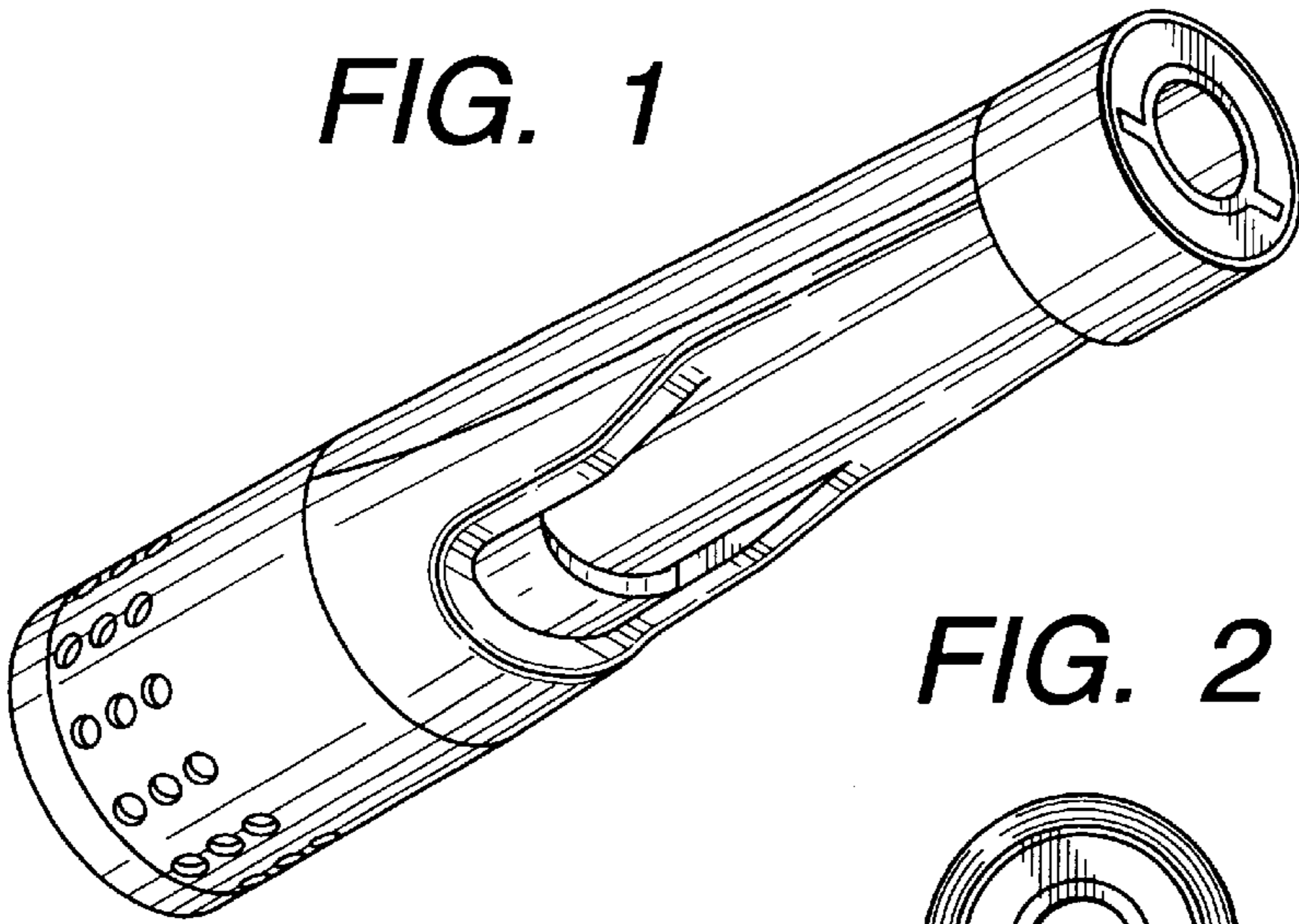
**U.S. PATENT DOCUMENTS**

D. 321,774 11/1991 Naeki et al. .  
D. 323,543 1/1992 Oyama .  
D. 373,812 \* 9/1996 Takizawa et al. .... D22/142

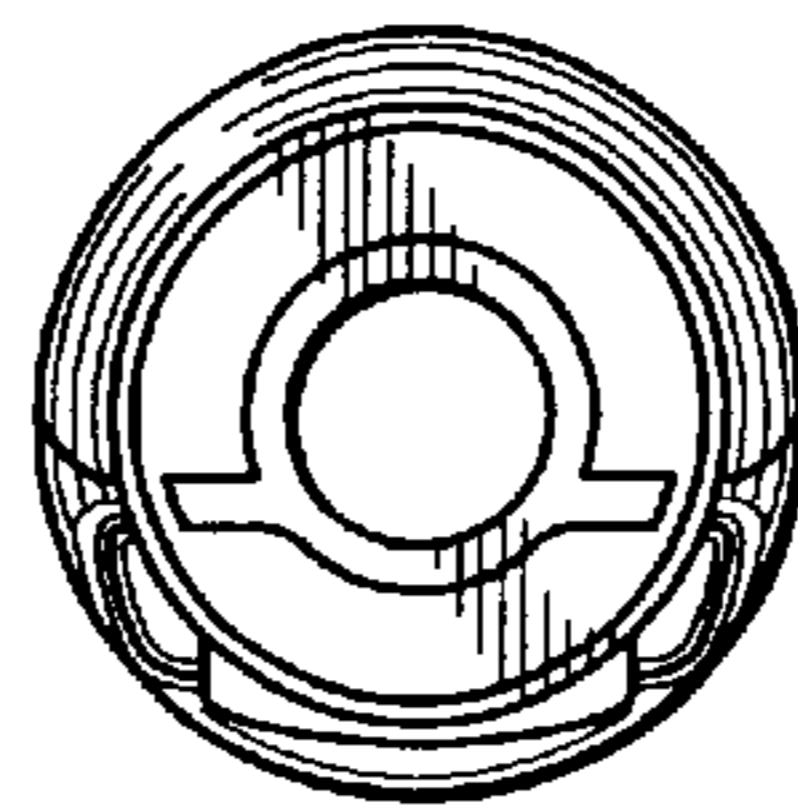
**1 Claim, 1 Drawing Sheet**



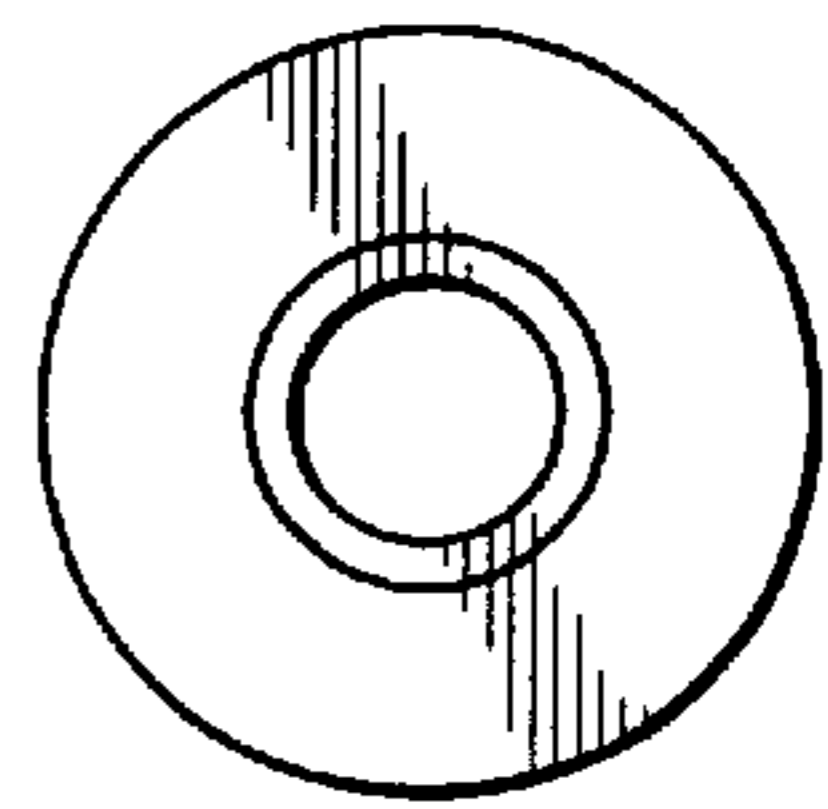
**FIG. 1**



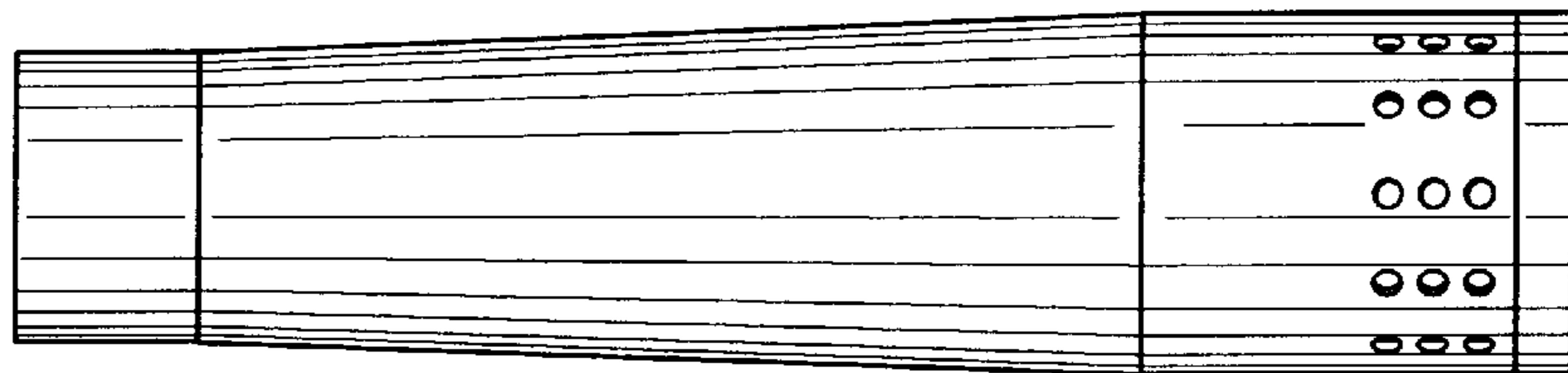
**FIG. 2**



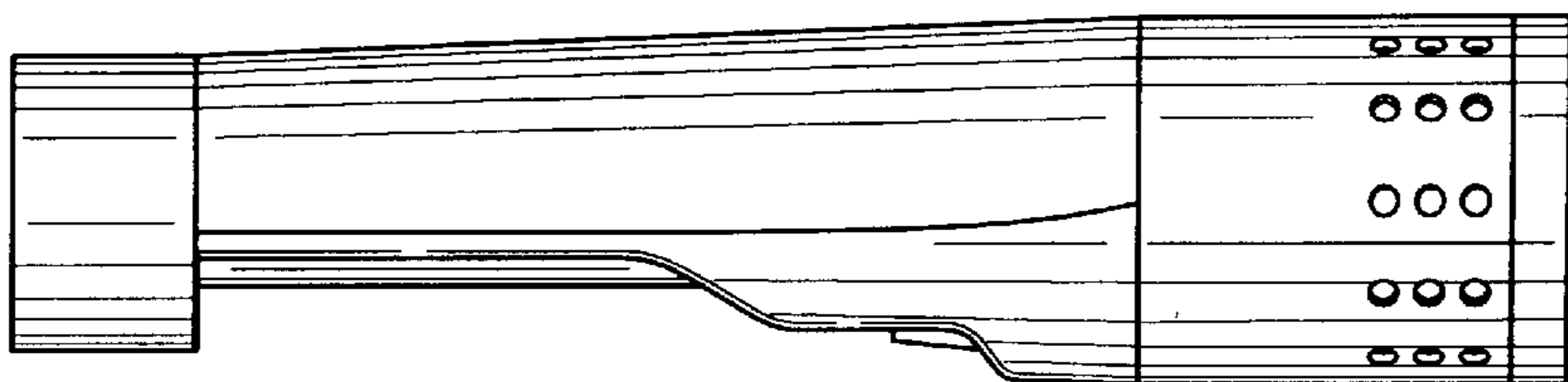
**FIG. 3**



**FIG. 4**



**FIG. 5**



**FIG. 6**

