



US00D436645S

(12) **United States Design Patent**  
**Kim et al.**

(10) **Patent No.:** **US D436,645 S**

(45) **Date of Patent:** **\*\* Jan. 23, 2001**

(54) **BAIT CAST REEL**

(75) Inventors: **Hyunkyu Kim**, Broken Arrow; **Andy Carroll**, Catoosa, both of OK (US);  
**Richard J. Robbins**, Derby, KS (US)

(73) Assignee: **Zebco division of Brunswick Corporation**, Tulsa, OK (US)

(\* ) Notice: This patent is subject to a terminal disclaimer.

(\*\* ) Term: **14 Years**

(21) Appl. No.: **29/115,072**

(22) Filed: **Dec. 7, 1999**

(51) **LOC (7) Cl.** ..... **22-05**

(52) **U.S. Cl.** ..... **D22/140**

(58) **Field of Search** ..... D22/140, 137;  
242/370, 223, 224, 234-240

(56) **References Cited**

**U.S. PATENT DOCUMENTS**

- D. 420,091 \* 2/2000 Kim et al. .... D22/140
- D. 421,087 \* 2/2000 Kim et al. .... D22/140

**OTHER PUBLICATIONS**

*Bass Pro Shops*. Mater Catalog, 1999, p. 14, 16, 21-23, 28-29, 33-37, 40, 64-65, 80.

*Browning Fishing*. Product Catalog, 1999, p. 5, 7, 28-30.

*Caleba's*. Master Catalog, Edition 1, Spring 1999, p. 10, 17-18, 20, 23-24, 44-46, 49.

*Quantum, Zebco, Martin*. Catalog, 1999, p. 10-11.

\* cited by examiner

*Primary Examiner*—Louis S. Zarfes

*Assistant Examiner*—Inga-Maria Hyttinen

(74) *Attorney, Agent, or Firm*—Fellers, Snider, Blankenship, Bailey & Tippens, P.C.

(57) **CLAIM**

The ornamental design for a bait cast reel, as shown.

**DESCRIPTION**

FIG. 1 is a perspective view from palm side of a bait cast reel showing my new design;

FIG. 2 is a perspective view from handle side thereof;

FIG. 3 is a front elevational view thereof;

FIG. 4 is a top plan view thereof;

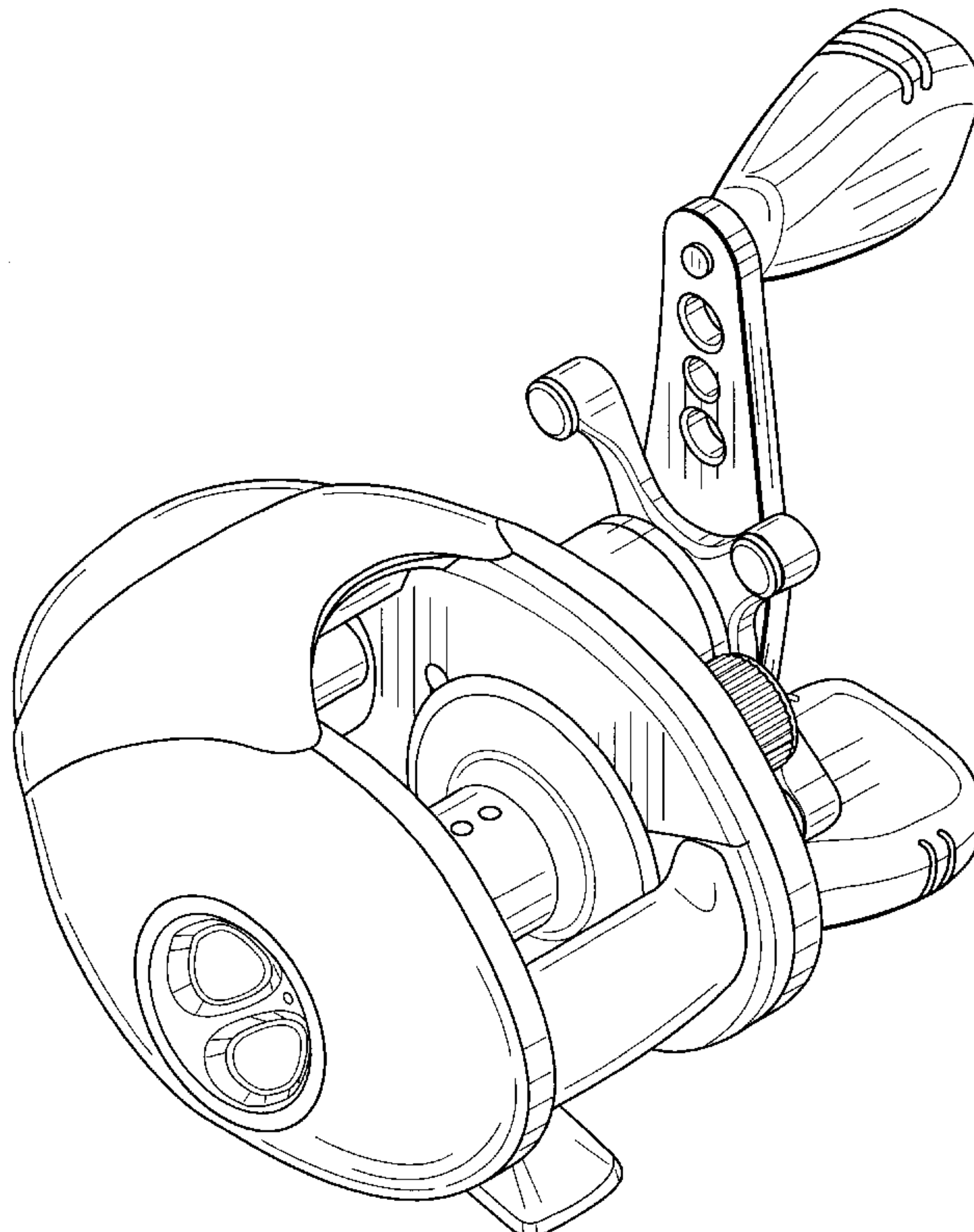
FIG. 5 is a right side elevational view thereof;

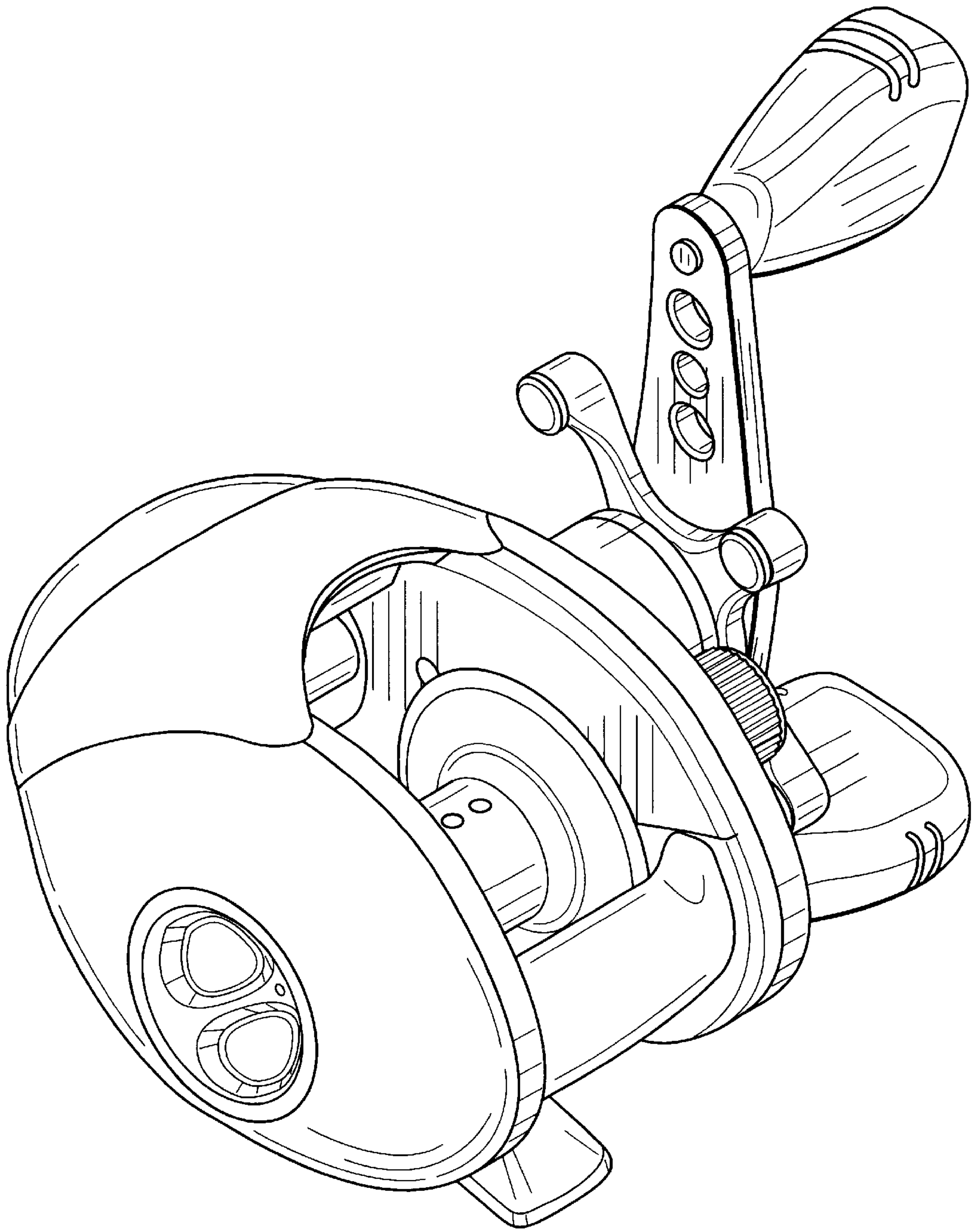
FIG. 6 is a left side elevational view thereof;

FIG. 7 is a rear elevational view thereof; and,

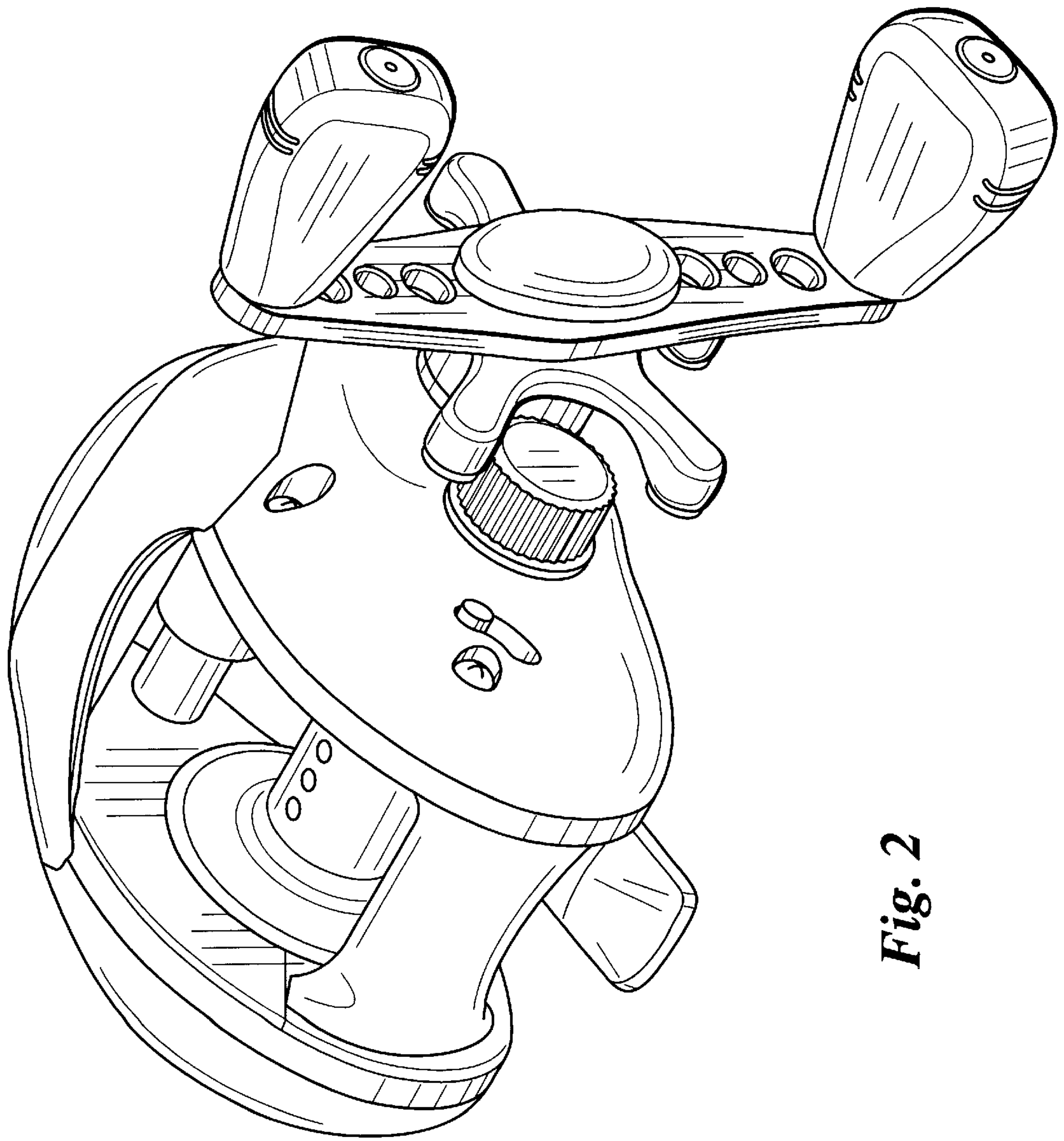
FIG. 8 is a bottom plan view thereof.

**1 Claim, 5 Drawing Sheets**

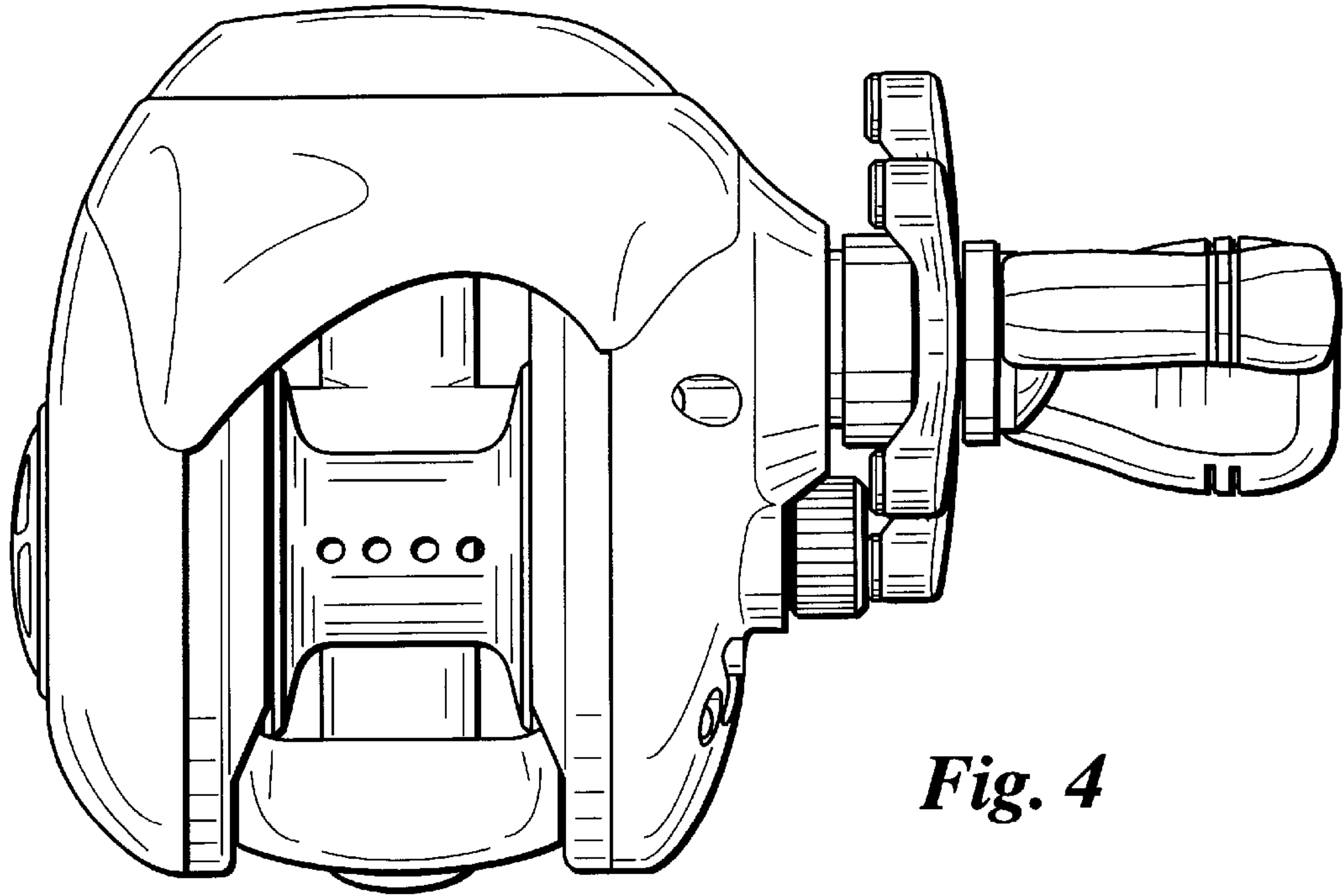




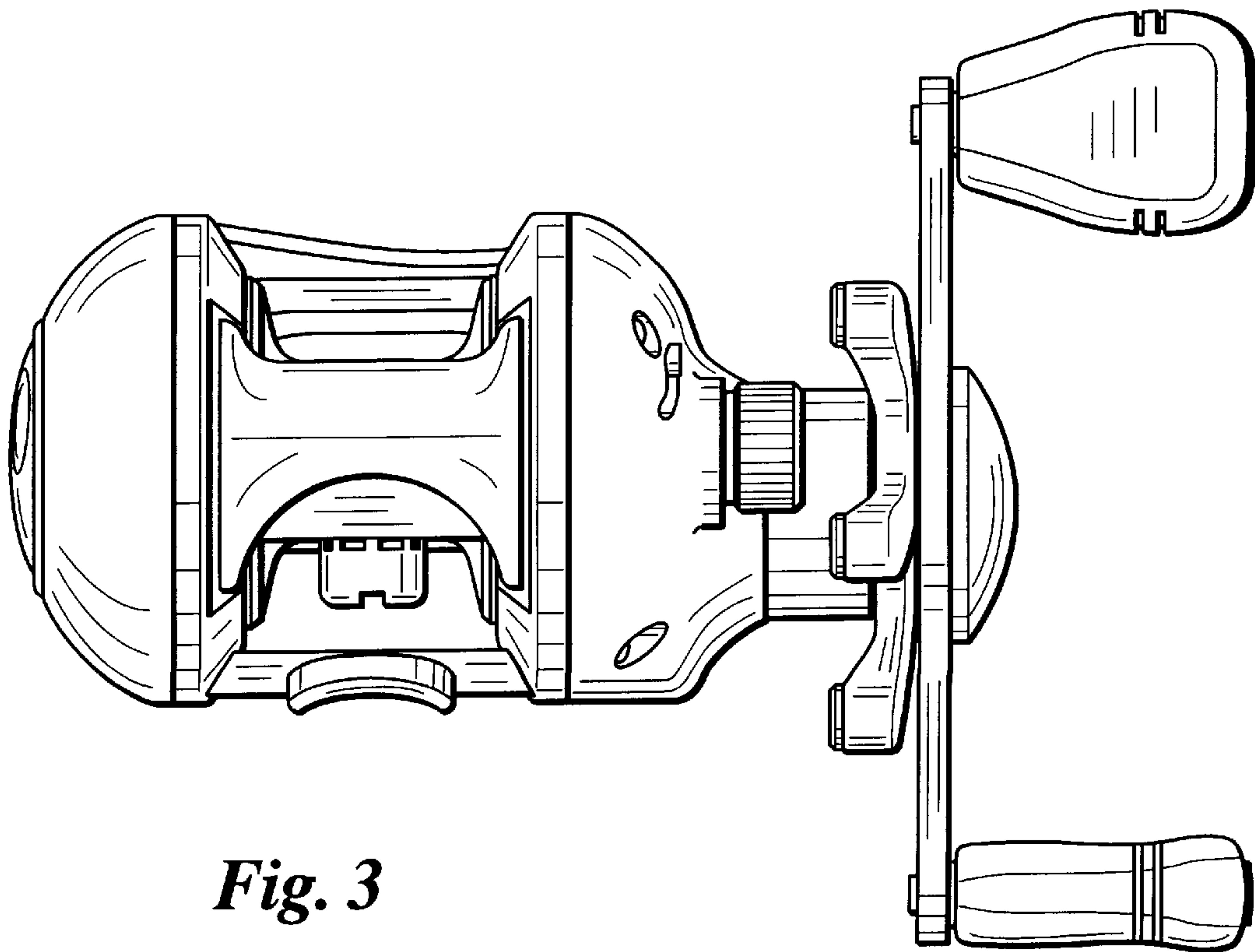
*Fig. 1*



*Fig. 2*

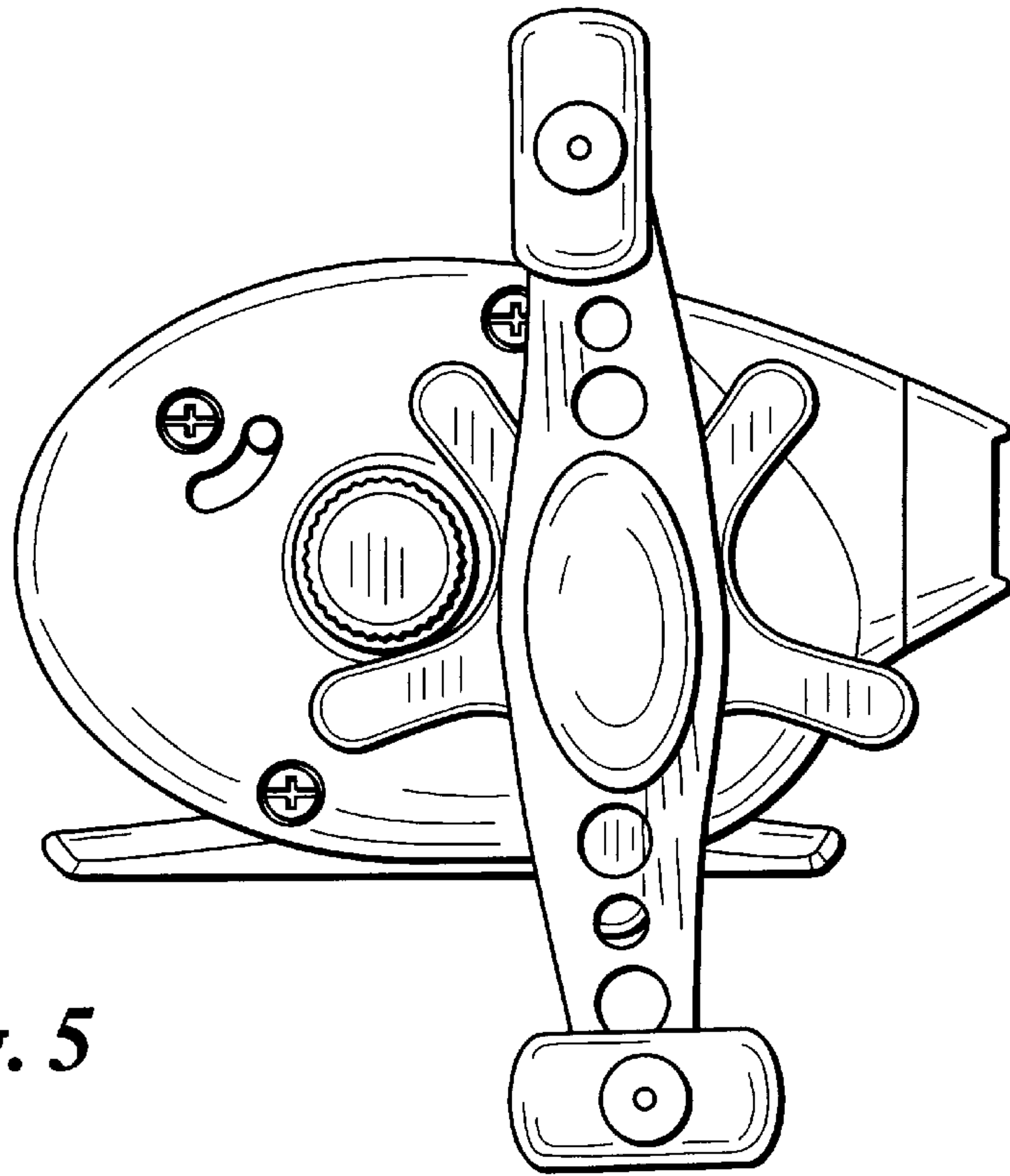


*Fig. 4*

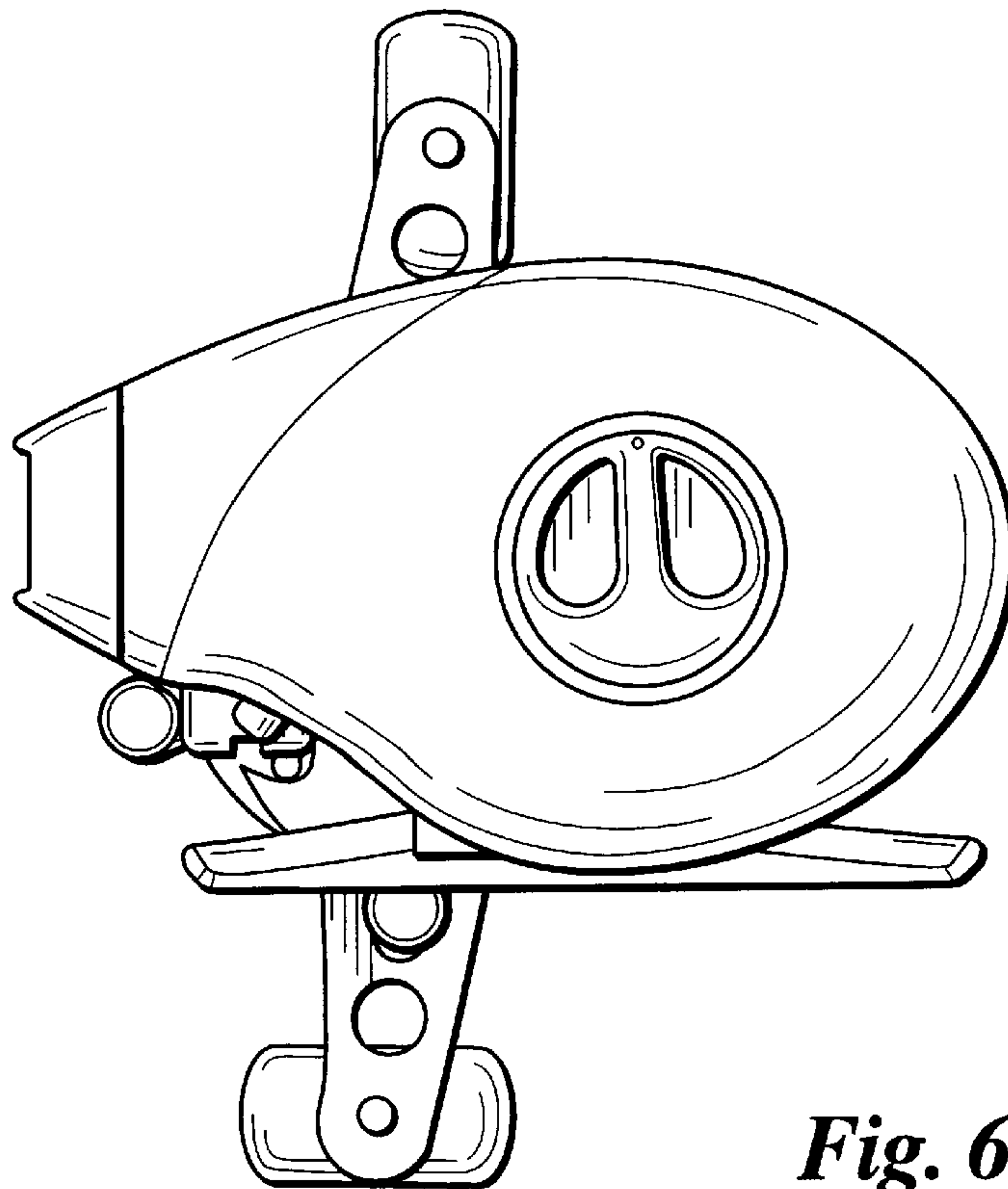


*Fig. 3*

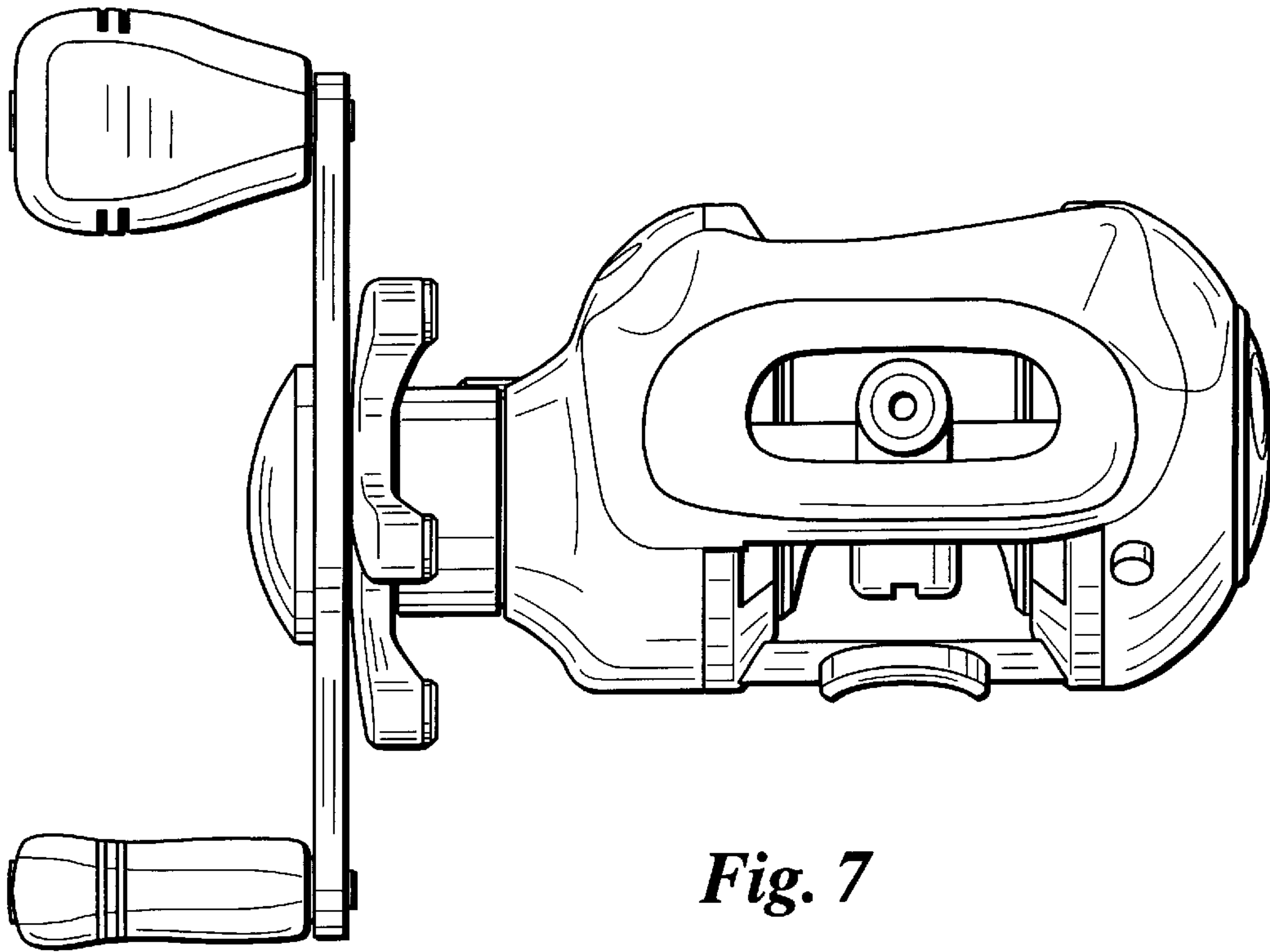




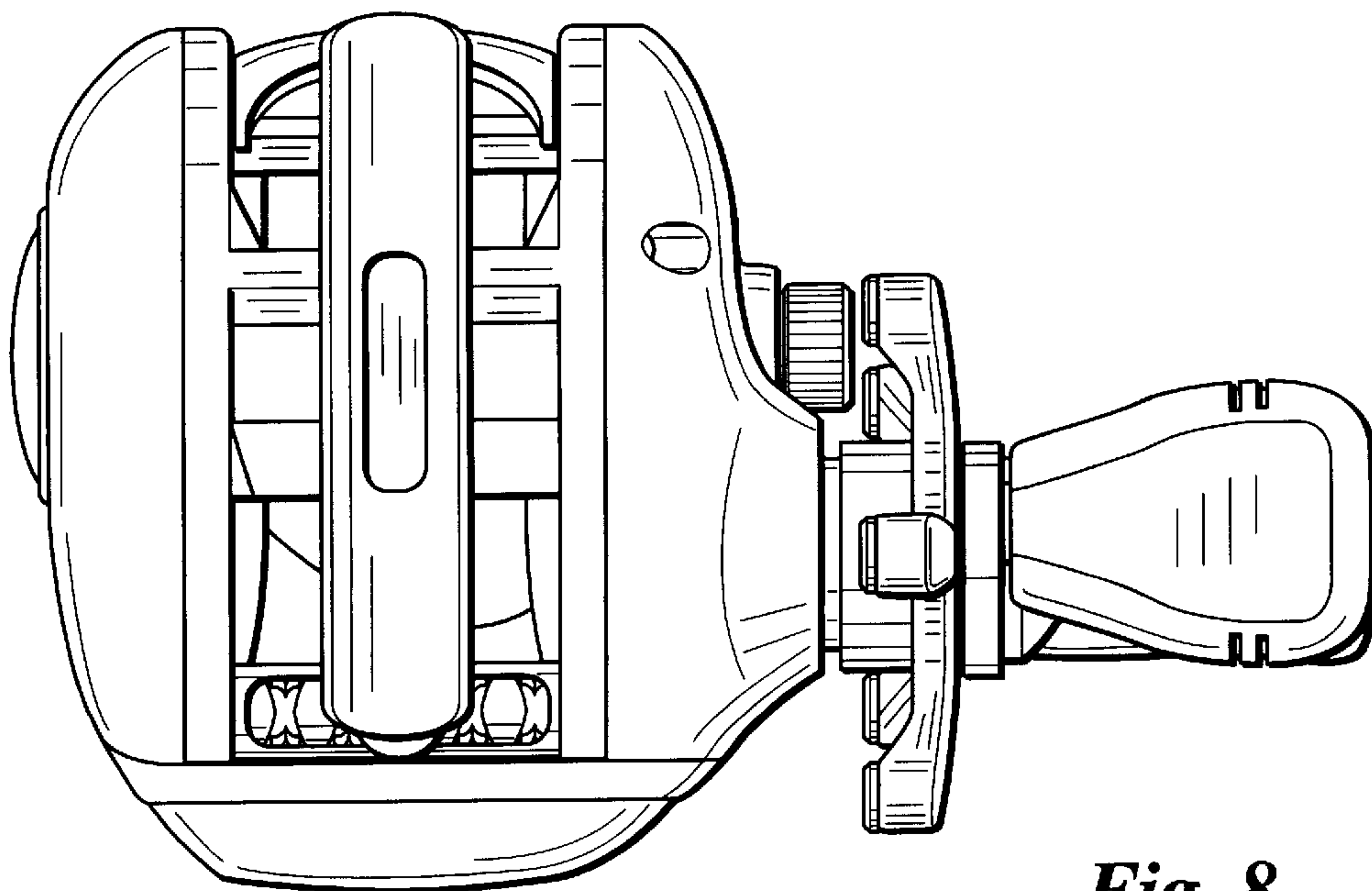
*Fig. 5*



*Fig. 6*



*Fig. 7*



*Fig. 8*