



US00D436643S

(12) **United States Design Patent**  
**Sims**

(10) **Patent No.:** **US D436,643 S**

(45) **Date of Patent:** **\*\* Jan. 23, 2001**

(54) **ARCHERY BOW SHOCK ABSORBER**

(75) **Inventor:** **Steven C. Sims, Shelton, WA (US)**

(73) **Assignee:** **Sims, Inc., Shelton, WA (US)**

(\*\*) **Term:** **14 Years**

(21) **Appl. No.:** **29/117,621**

(22) **Filed:** **Jan. 26, 2000**

(51) **LOC (7) Cl.** ..... **22-01**

(52) **U.S. Cl.** ..... **D22/107**

(58) **Field of Search** ..... **D22/100, 107,**  
**D22/199; 124/88, 89**

(56) **References Cited**

**U.S. PATENT DOCUMENTS**

- D. 410,272 \* 5/1999 Fitzgerald, Jr. .... D22/107
- 3,628,520 \* 12/1971 Izuta ..... 124/89
- 3,670,712 \* 6/1972 Izuta ..... 124/89
- 3,683,883 \* 8/1972 Izuta ..... 124/89

- 5,390,656 \* 2/1995 Villa et al. .... 124/89
- 5,558,078 \* 9/1996 Dunlap ..... 124/88 X
- 5,657,741 \* 8/1997 Todd ..... 124/89

\* cited by examiner

*Primary Examiner*—James Gandy

*Assistant Examiner*—Monica A. Weingart

(74) *Attorney, Agent, or Firm*—Miller Nash LLP

(57) **CLAIM**

The ornamental design for an archery bow shock absorber, as shown.

**DESCRIPTION**

FIG. 1 is a top side perspective view of my new design; FIG. 2 is a bottom side perspective view thereof; FIG. 3 is a side elevational view thereof; FIG. 4 is a top plan view thereof; and, FIG. 5 is a bottom plan view thereof.

**1 Claim, 1 Drawing Sheet**

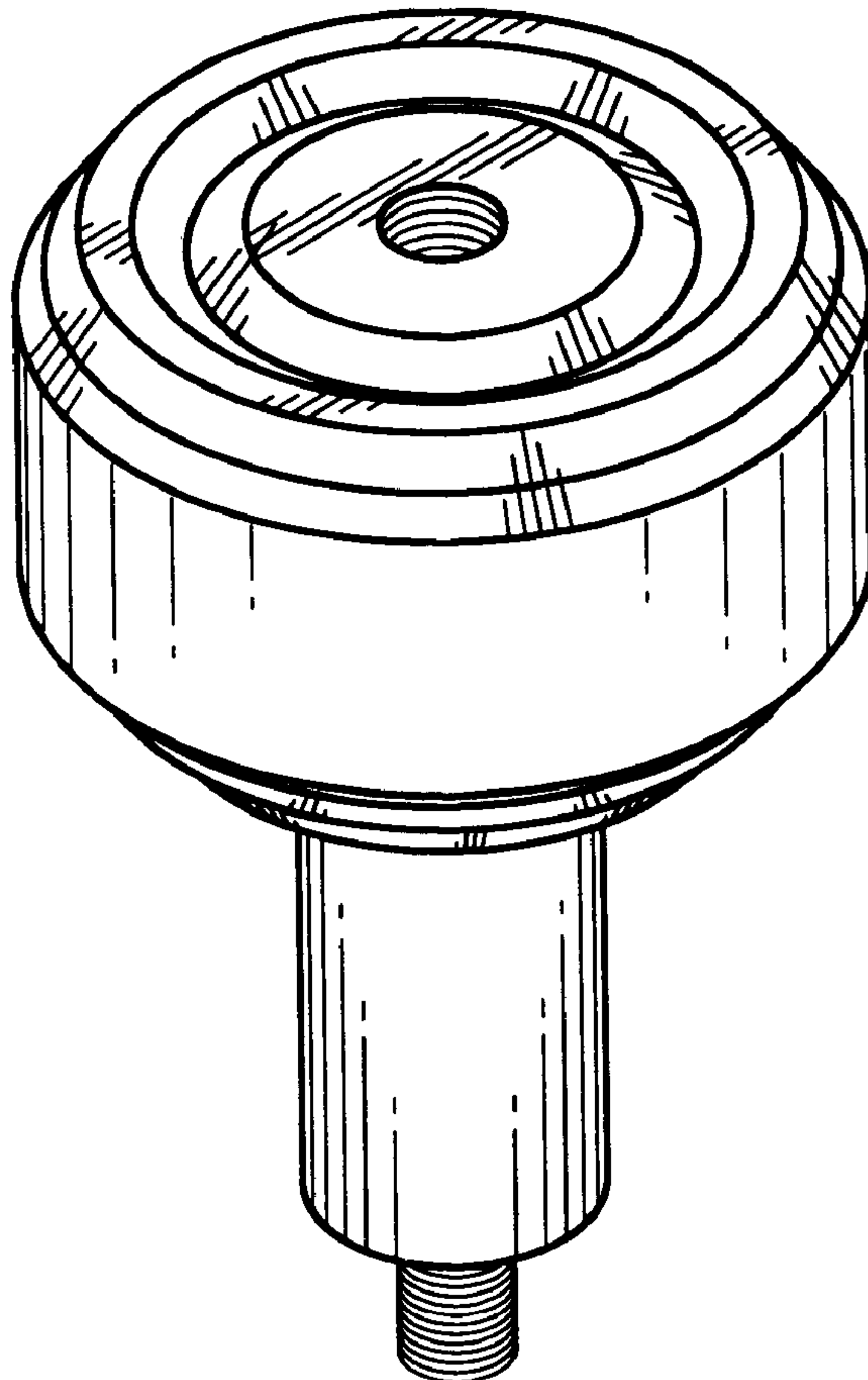


FIG. 1

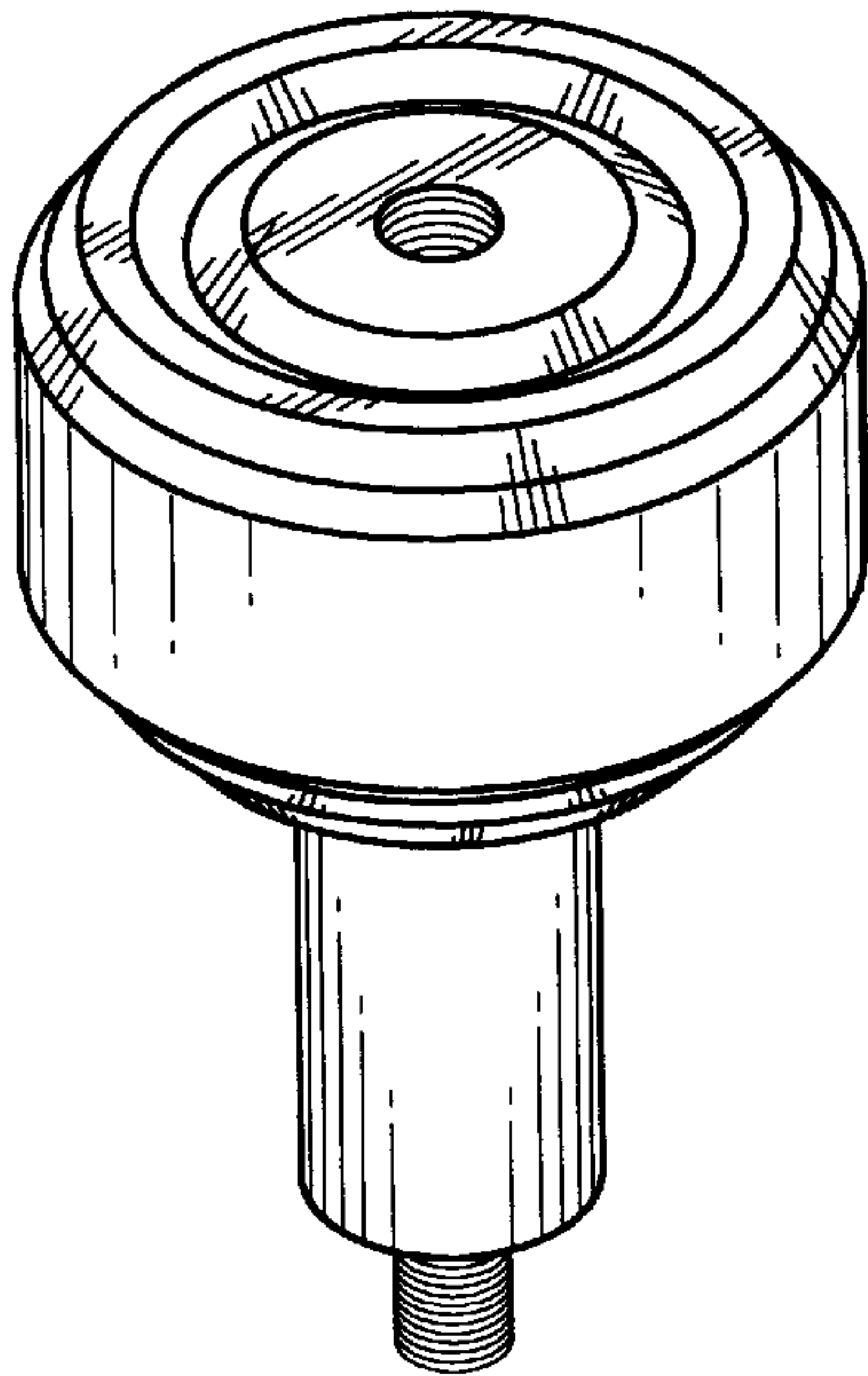


FIG. 2

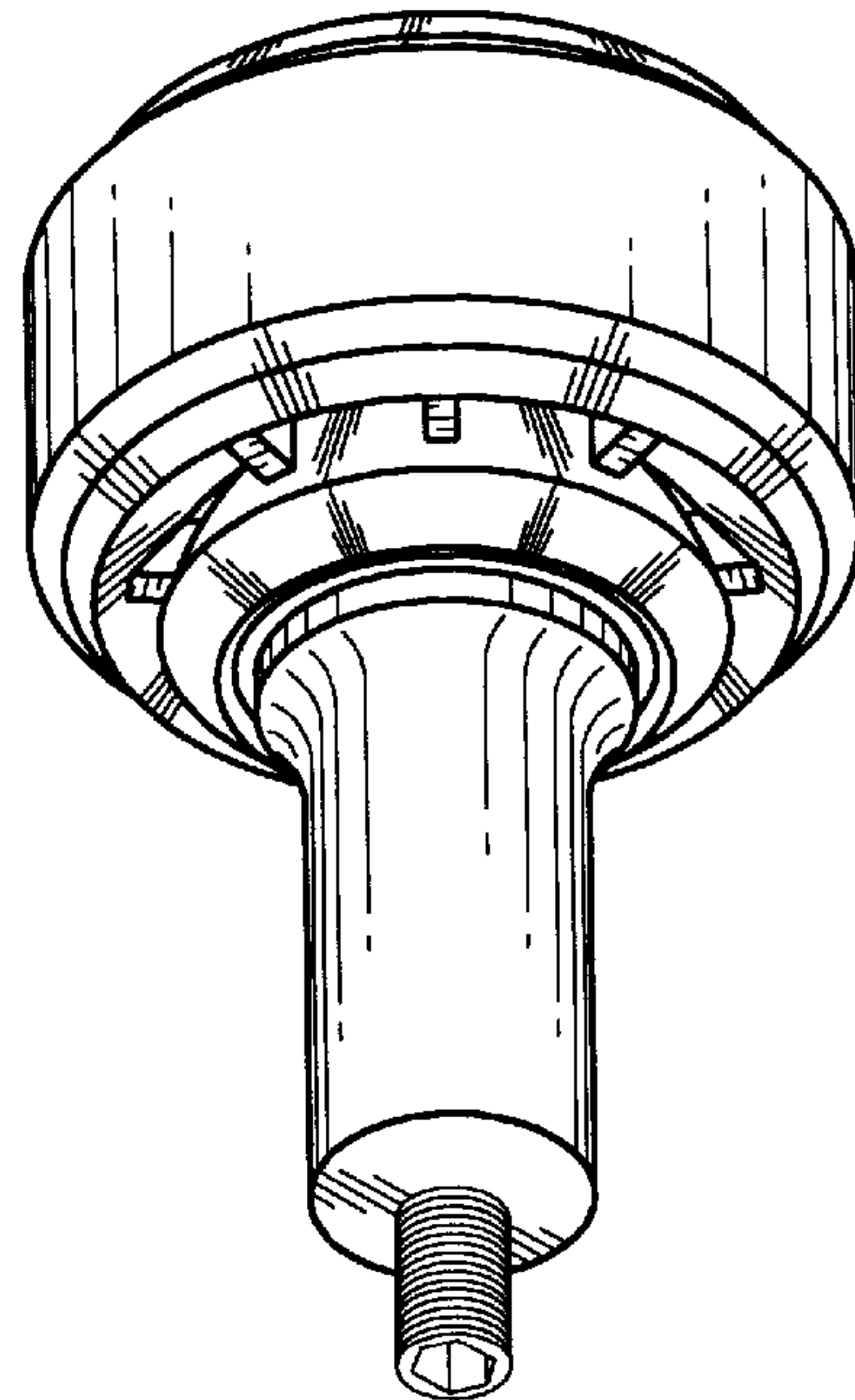


FIG. 3

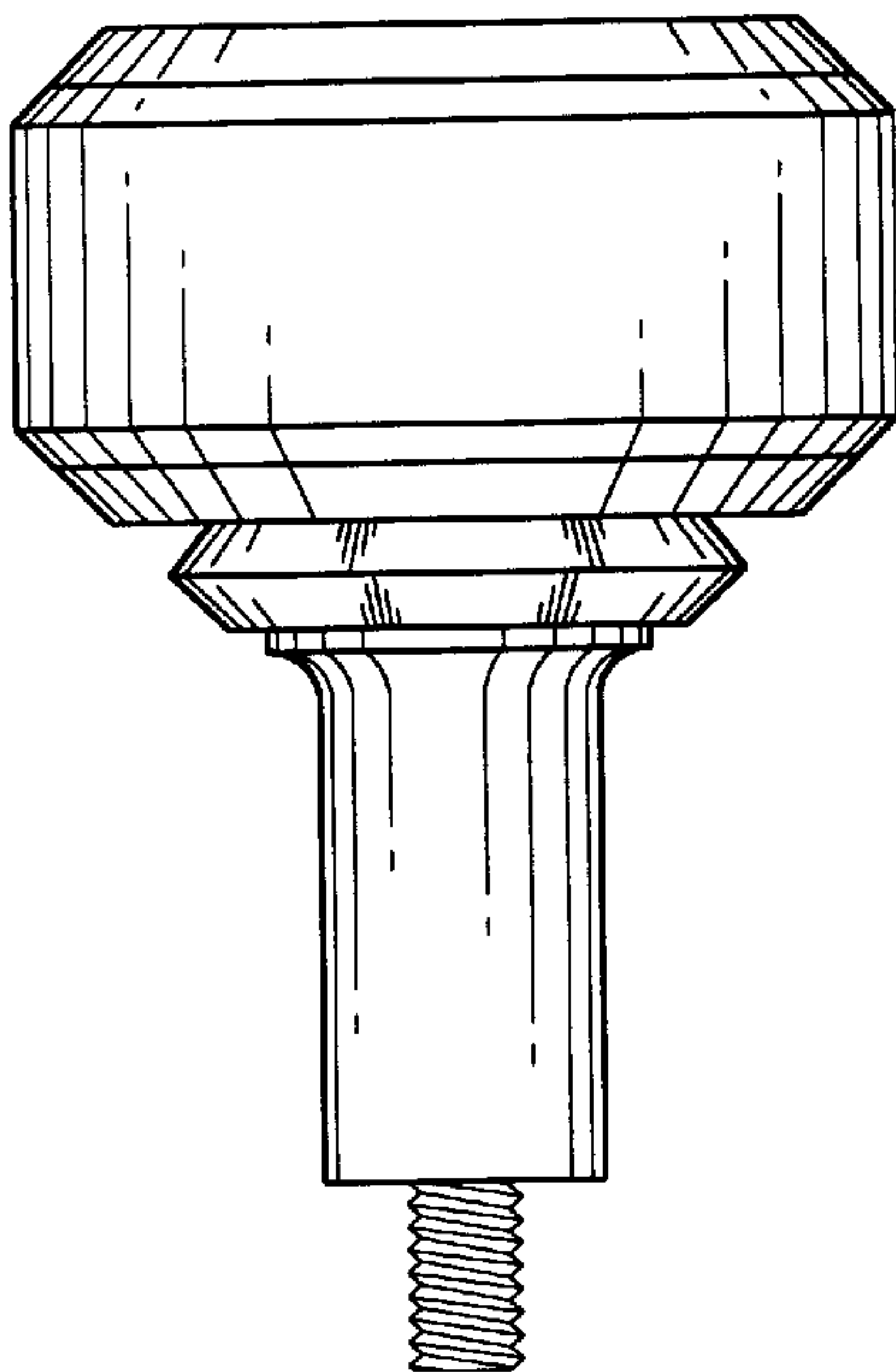


FIG. 4

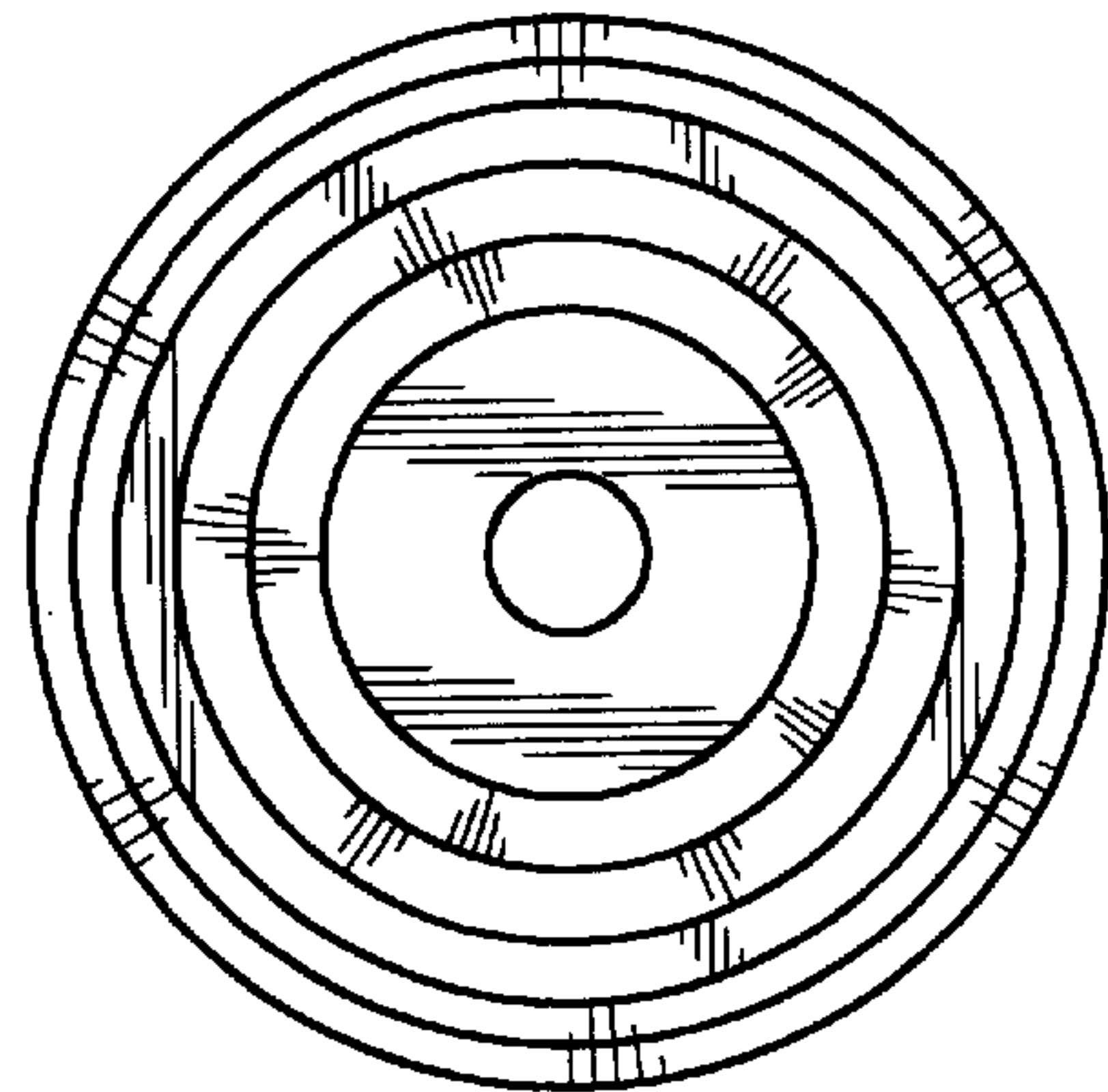


FIG. 5

