



US00D436640S

(12) **United States Design Patent**
Holub

(10) **Patent No.:** **US D436,640 S**

(45) **Date of Patent:** **** Jan. 23, 2001**

(54) **GOLF ACCESSORY**

(76) Inventor: **Craig S. Holub**, 16 Field Street, Lively, Ontario (CA), P3Y 1A9

(**) Term: **14 Years**

(21) Appl. No.: **29/114,540**

(22) Filed: **Nov. 29, 1999**

(51) **LOC (7) Cl.** **21-02**

(52) **U.S. Cl.** **D21/793**

(58) **Field of Search** D21/793, 789;
473/286, 408

(56) **References Cited**

U.S. PATENT DOCUMENTS

D. 238,436	*	1/1976	McKalvey	D21/793
D. 369,637	*	5/1996	Digerness et al.	D21/793
D. 395,480		6/1998	Chou	D21/234
4,971,126		11/1990	Borenstein	150/160
5,215,136		6/1993	Flanders et al.	150/160
5,562,553	*	10/1996	Digerness et al.	473/408
5,759,111		6/1998	Clark	473/285

OTHER PUBLICATIONS

Golfmarket. Golf Magazine, Jul. 1997: p. 174.
Holiday Gift Guide. Golf Magazine, Nov. 1997: p. 157.
Golfmarket. Golf Magazine, Jun. 1996: p. 202.

* cited by examiner

Primary Examiner—Mitchell Siegel

(74) *Attorney, Agent, or Firm*—Dimock Stratton Clarizio; Mark B. Eisen

(57) **CLAIM**

The ornamental design for a golf accessory, as shown and described.

DESCRIPTION

FIG. 1 is a perspective view of the golf accessory;
FIG. 2 is a rear view;
FIG. 3 is a front view;
FIG. 4 is a side view;
FIG. 5 is an end view;
FIG. 6 is an end view taken opposite FIG. 5; and,
FIG. 7 is a side view taken opposite FIG. 4.

1 Claim, 2 Drawing Sheets

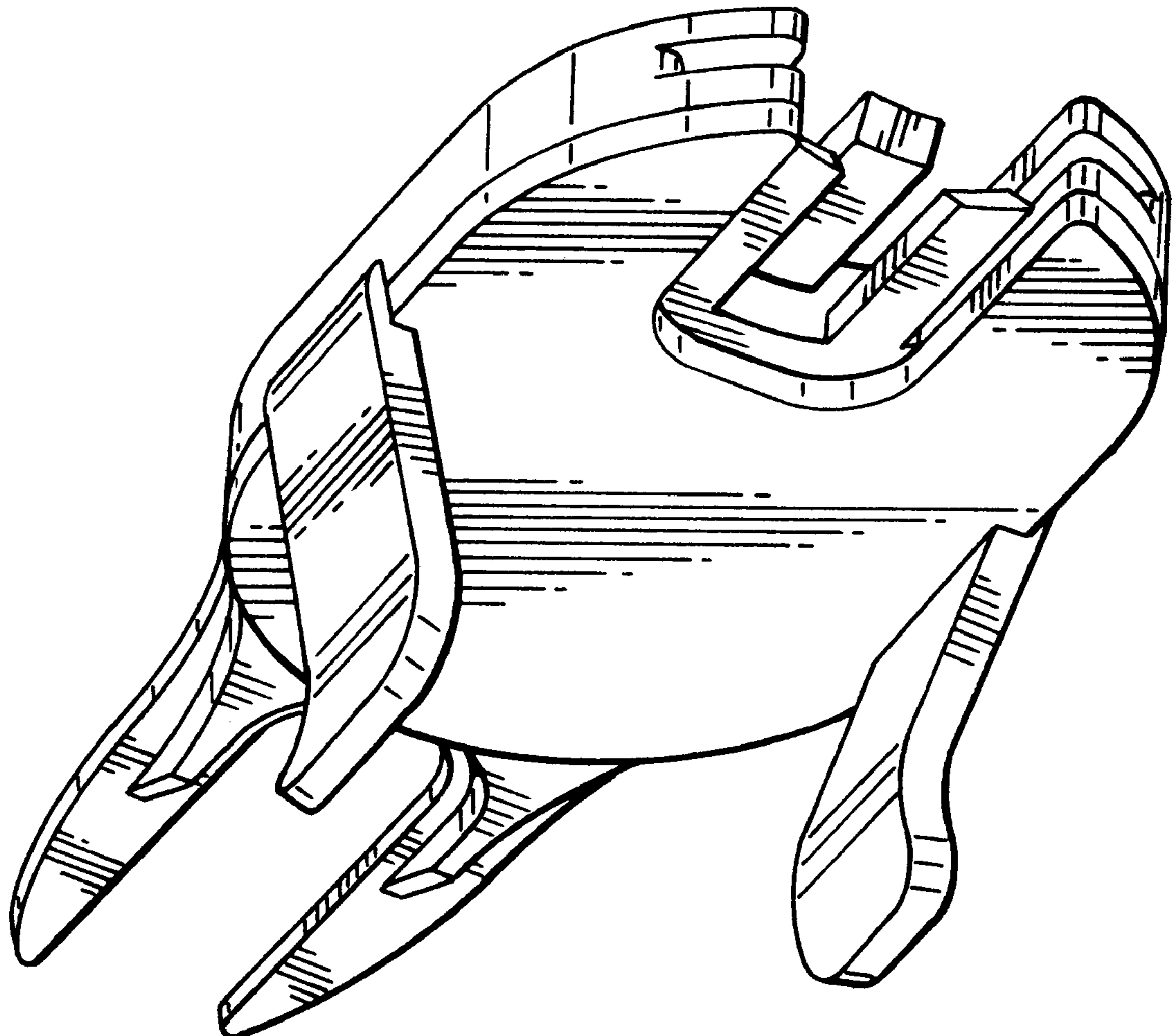


FIG. 1.

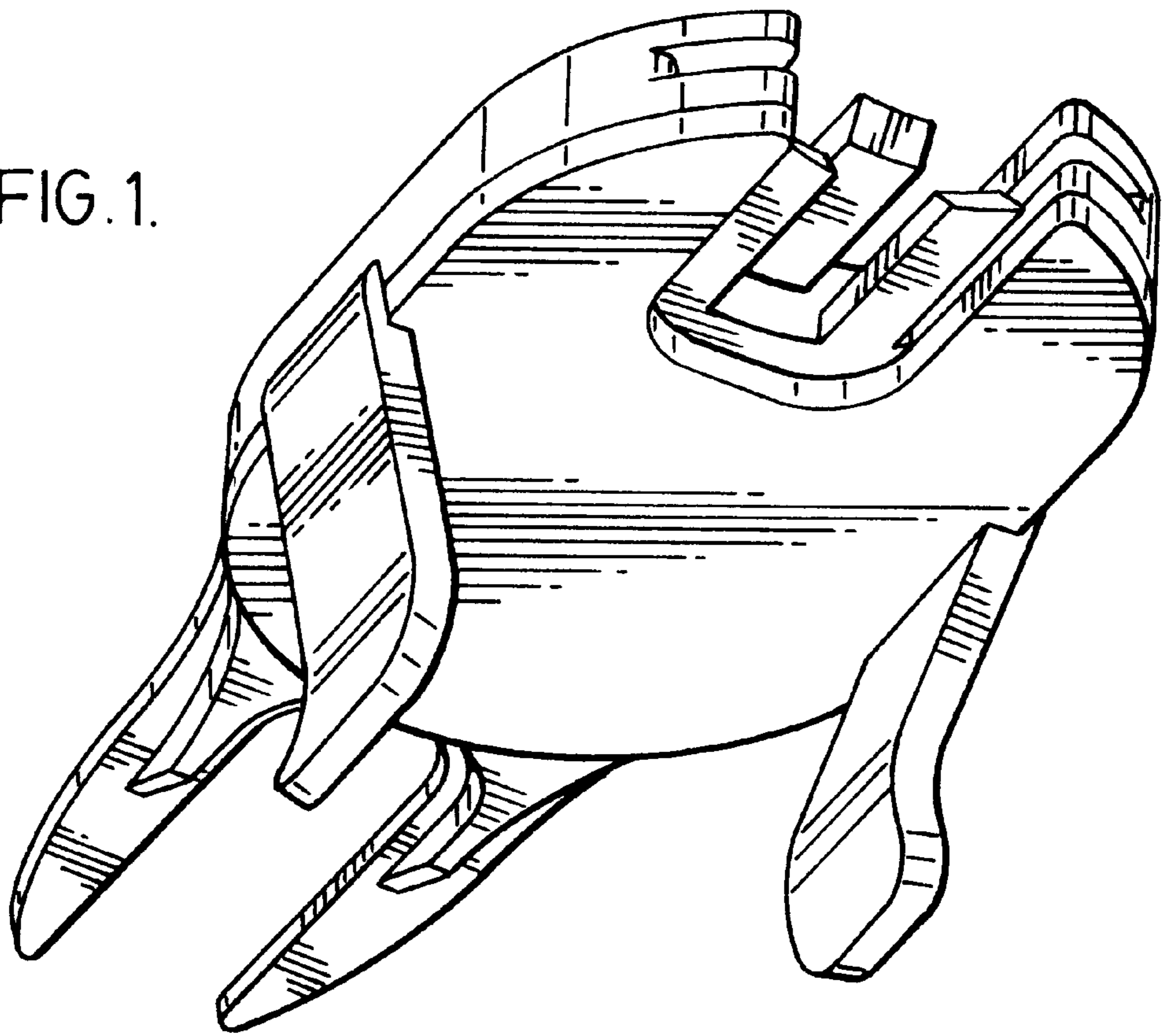


FIG. 2.

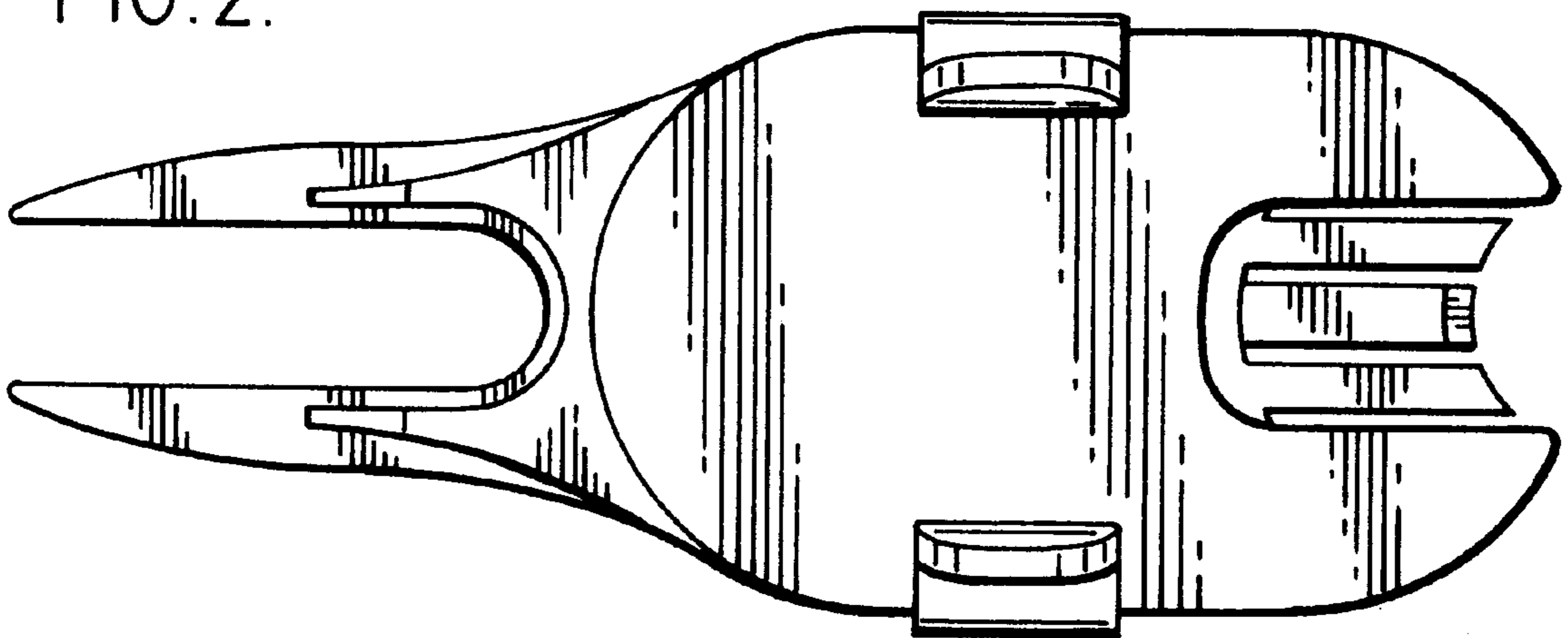


FIG. 3.

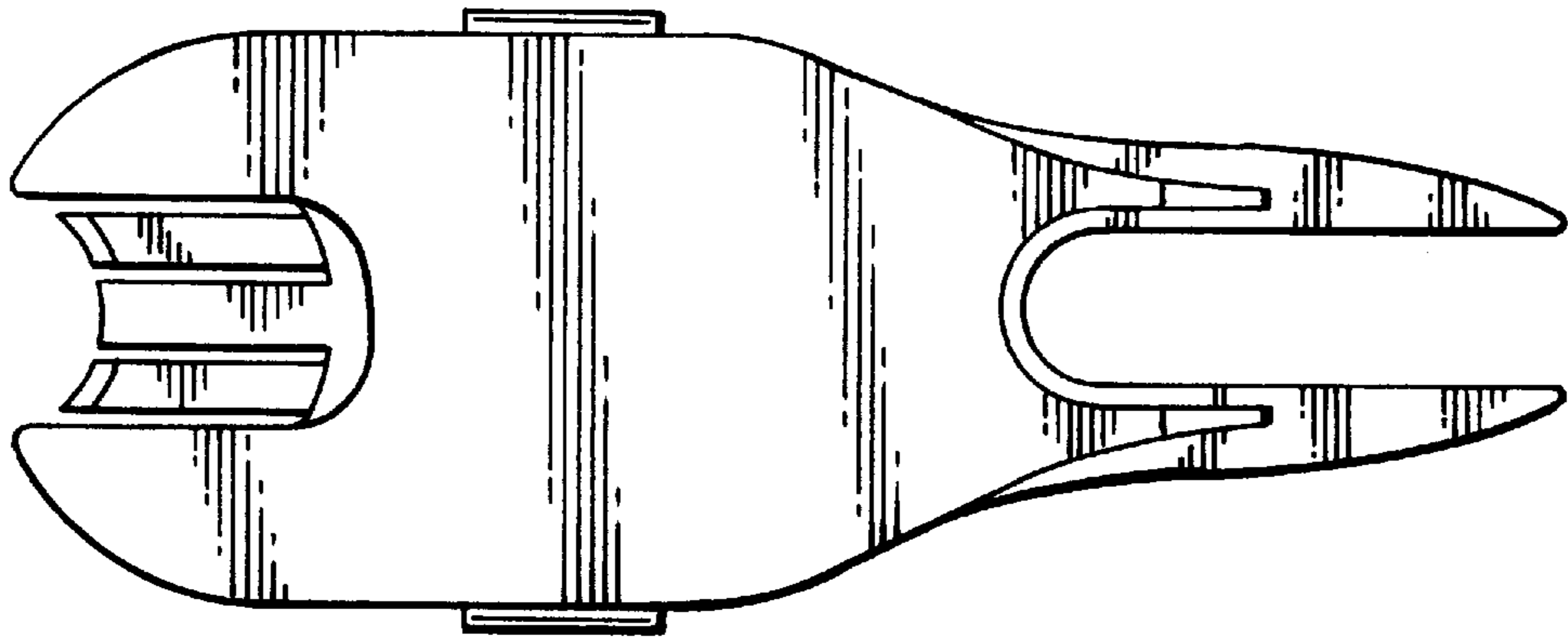


FIG. 4.

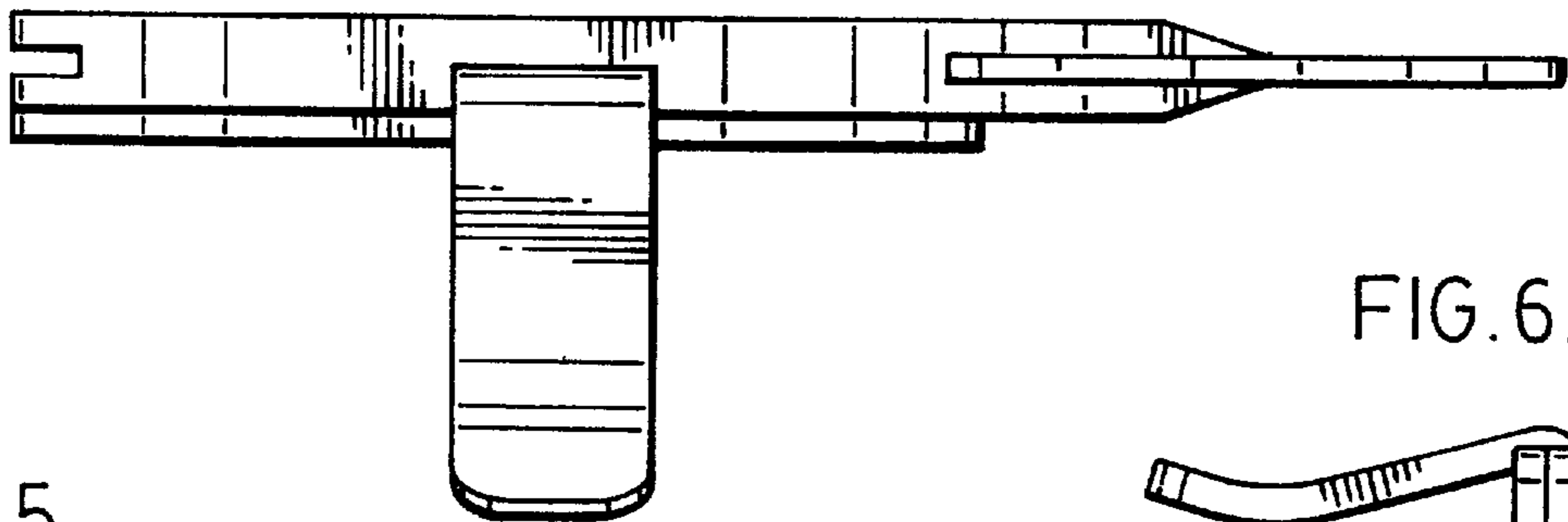


FIG. 5.

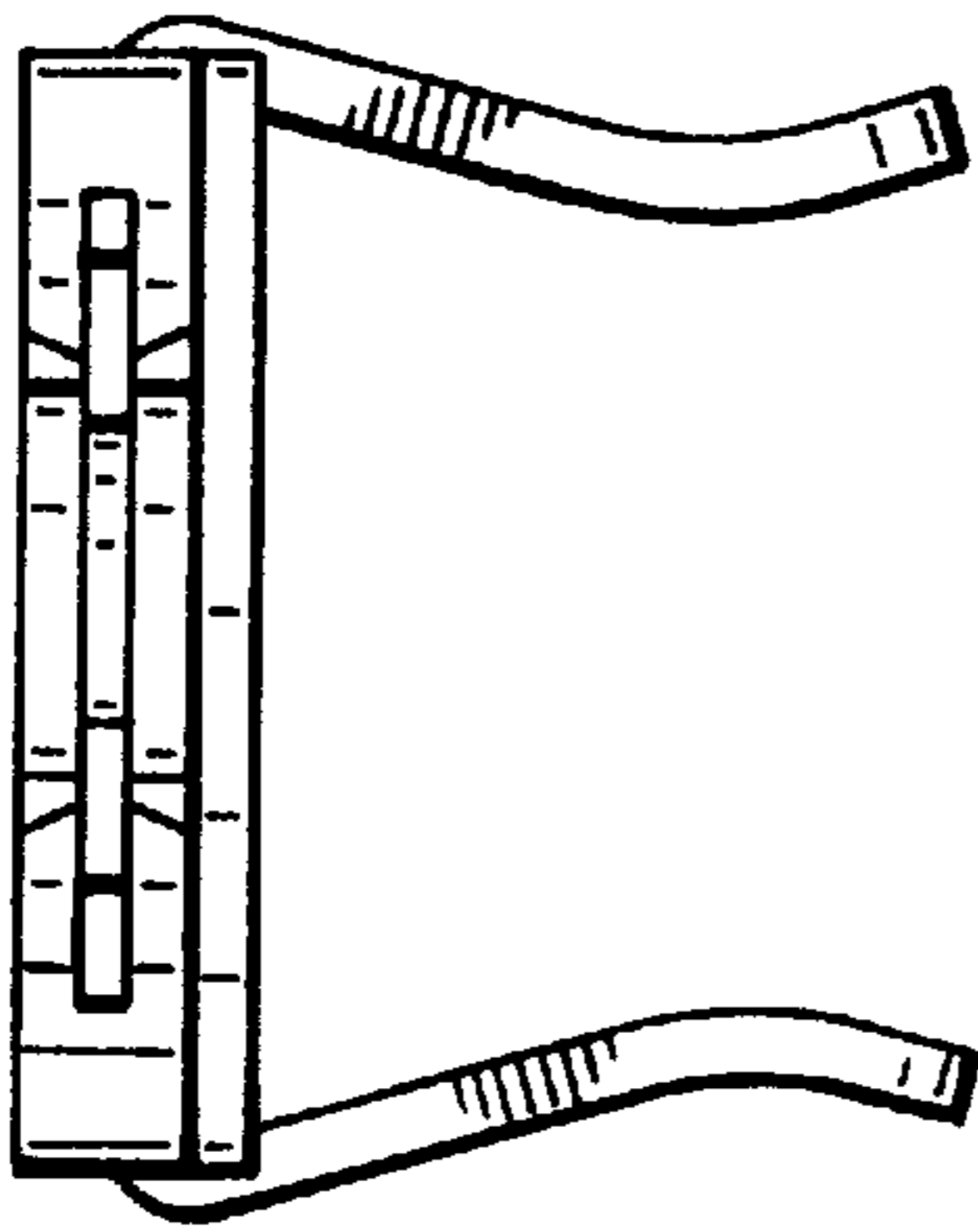


FIG. 6.

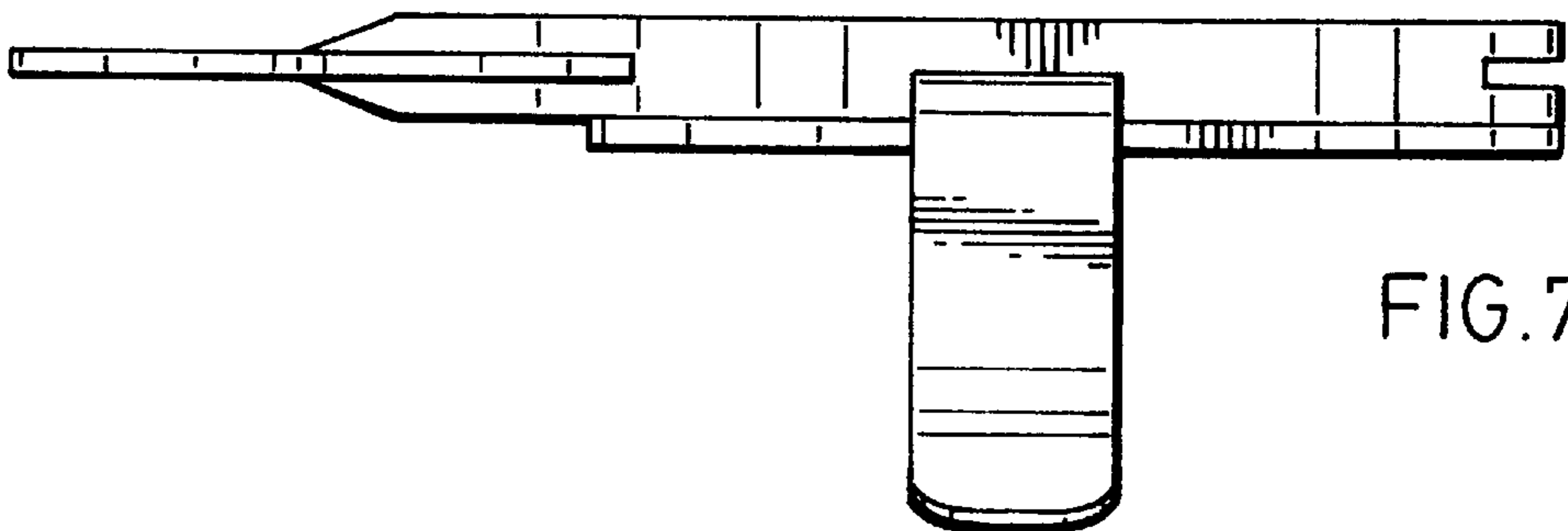
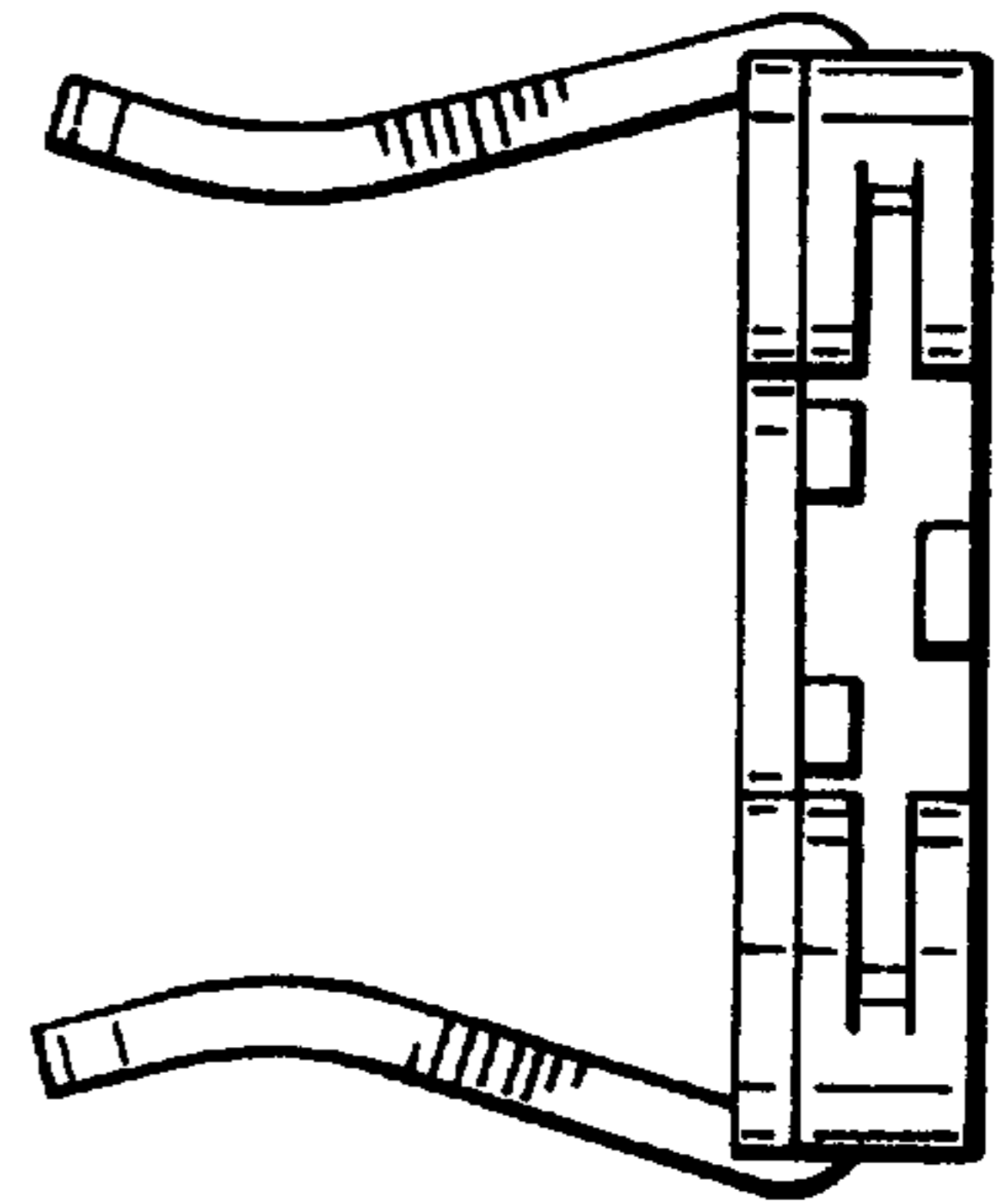


FIG. 7.