



US00D436636S

(12) **United States Design Patent**
Joseph-Turner

(10) **Patent No.:** **US D436,636 S**
(45) **Date of Patent:** **** Jan. 23, 2001**

(54) **ELEGANT DINING PLAYSET**

5,007,673 4/1991 Cheng .

(76) Inventor: **Kimberly Joseph-Turner**, 113 Charles St., De Soto, TX (US) 75115

(**) Term: **14 Years**

(21) Appl. No.: **29/112,702**

(22) Filed: **Oct. 22, 1999**

(51) **LOC (7) Cl.** **21-01**

(52) **U.S. Cl.** **D21/519; D21/521; D21/522**

(58) **Field of Search** **D21/519-522; D6/336, 334, 364, 480; 446/482, 479**

(56) **References Cited**

U.S. PATENT DOCUMENTS

| | | | | | |
|------------|---|---------|-----------------|-------|---------|
| D. 51,659 | * | 1/1918 | Roberts | | D21/521 |
| D. 234,238 | * | 2/1975 | Miller | | D6/364 |
| D. 369,926 | | 5/1996 | Keller | . | |
| D. 373,798 | | 9/1996 | Yang | . | |
| D. 383,806 | | 9/1997 | Yang | . | |
| D. 408,157 | * | 4/1999 | Lewis | | D6/334 |
| D. 408,177 | * | 4/1999 | Stout | | D6/480 |
| 1,660,119 | * | 2/1928 | Decker | | 446/482 |
| 3,269,034 | * | 8/1966 | Glass et al. | | 446/482 |
| 3,333,358 | * | 8/1967 | Green et al. | | 446/482 |
| 3,749,278 | | 7/1973 | von Boch-Galhau | . | |
| 4,575,078 | | 3/1986 | Fogarty et al. | . | |
| 4,879,800 | * | 11/1989 | Rumman | | 446/482 |

OTHER PUBLICATIONS

Toys R Us, p 19, p 20, 1993.*
My Pretty Dollhouse, 1995.*
Storm Becker Playthings p 4, p 5, 1934.*

* cited by examiner

Primary Examiner—Raphael Barkai

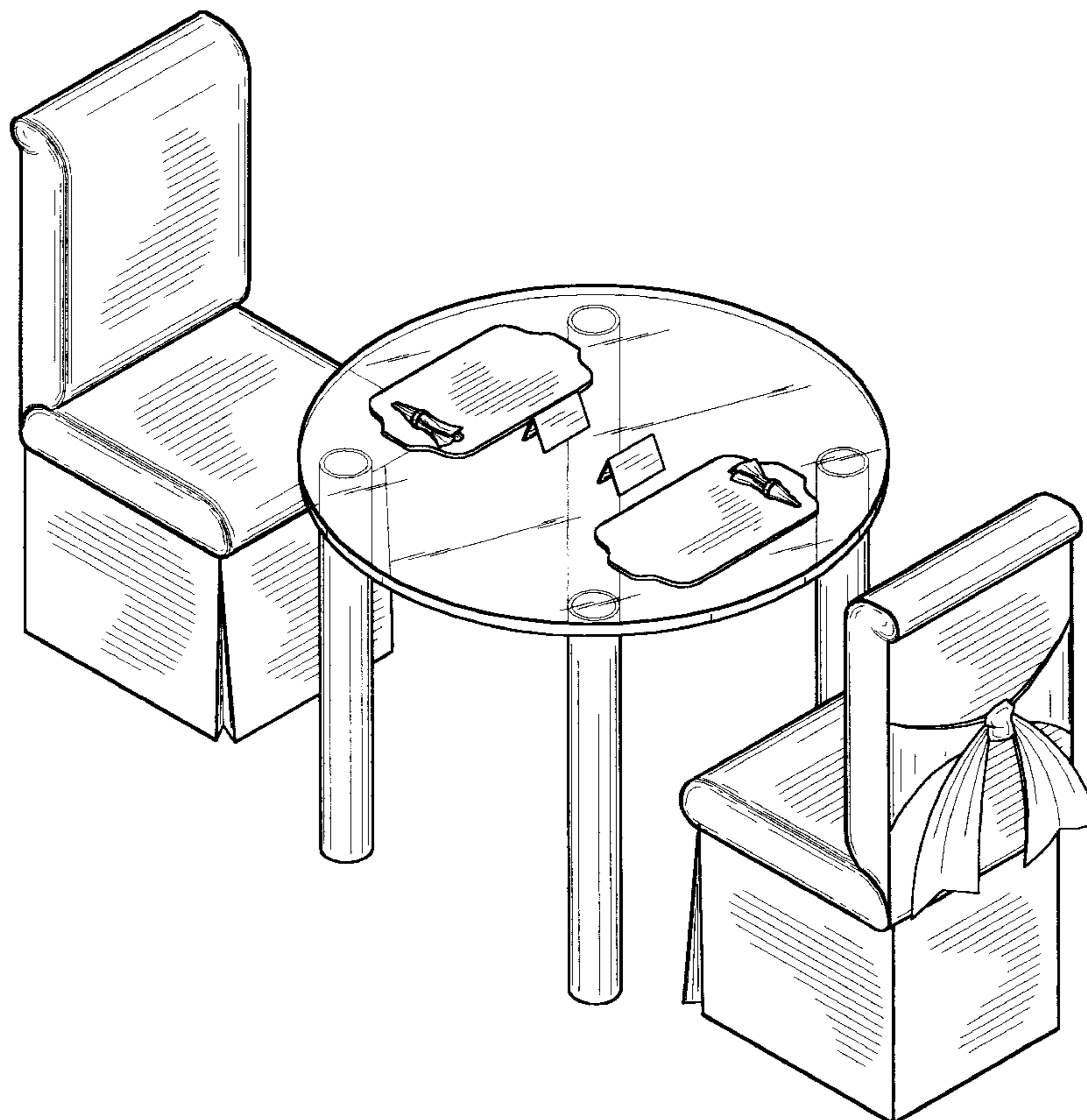
(57) **CLAIM**

The ornamental design for a elegant dining playset, as shown and described.

DESCRIPTION

FIG. 1 is a front elevational view of the elegant dining playset of the present invention, the rear view being a mirror image thereof;
FIG. 2 is a left side elevational view of the elegant dining playset of FIG. 1, the right side view being a mirror image thereof;
FIG. 3 is a top plan view of the elegant dining playset of FIG. 1;
FIG. 4 is a bottom plan view of the elegant dining playset of FIG. 1; and,
FIG. 5 is a top, front, right side perspective view of the elegant dining playset of FIG. 1.

1 Claim, 3 Drawing Sheets



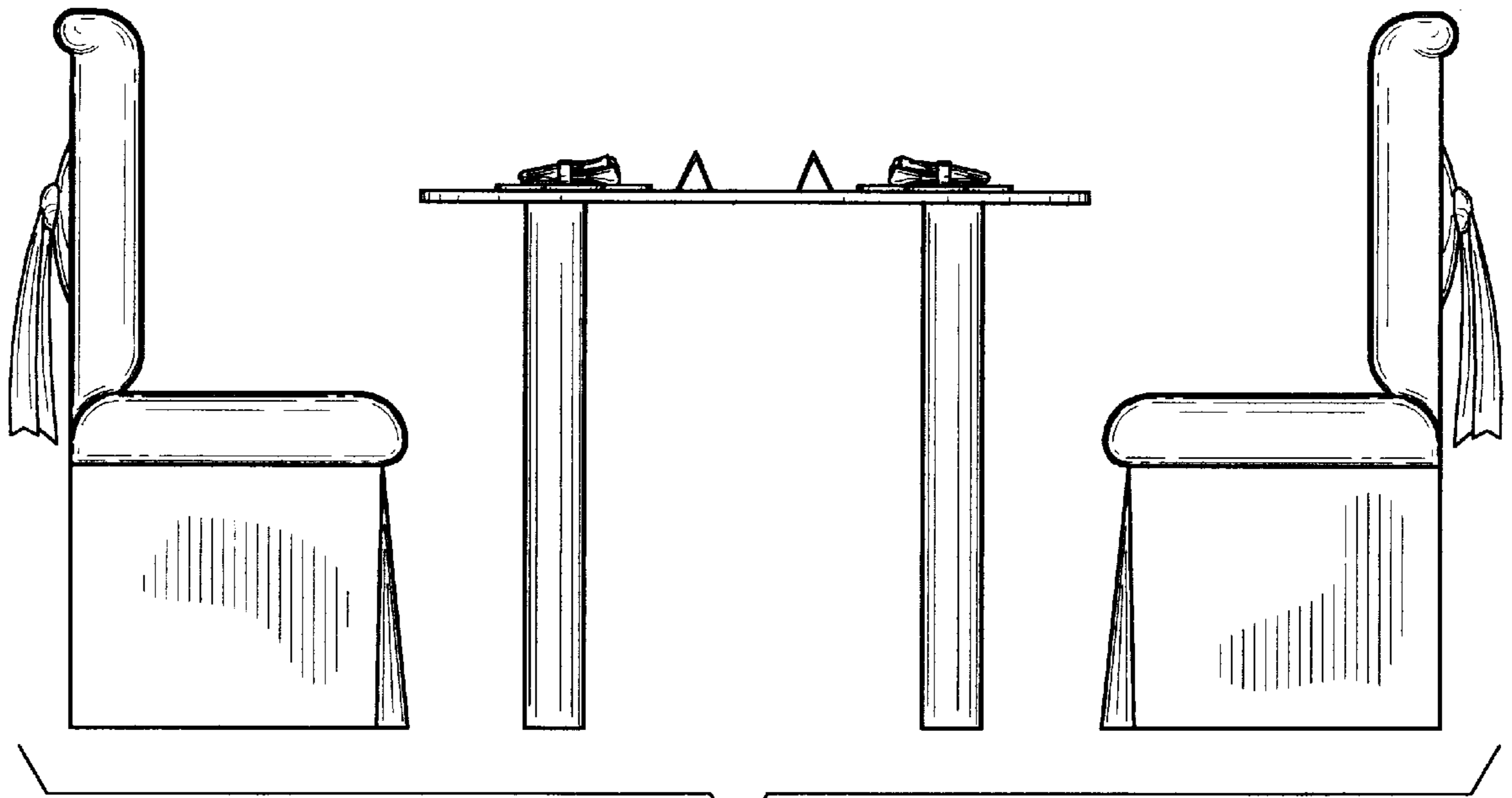


Fig. 1

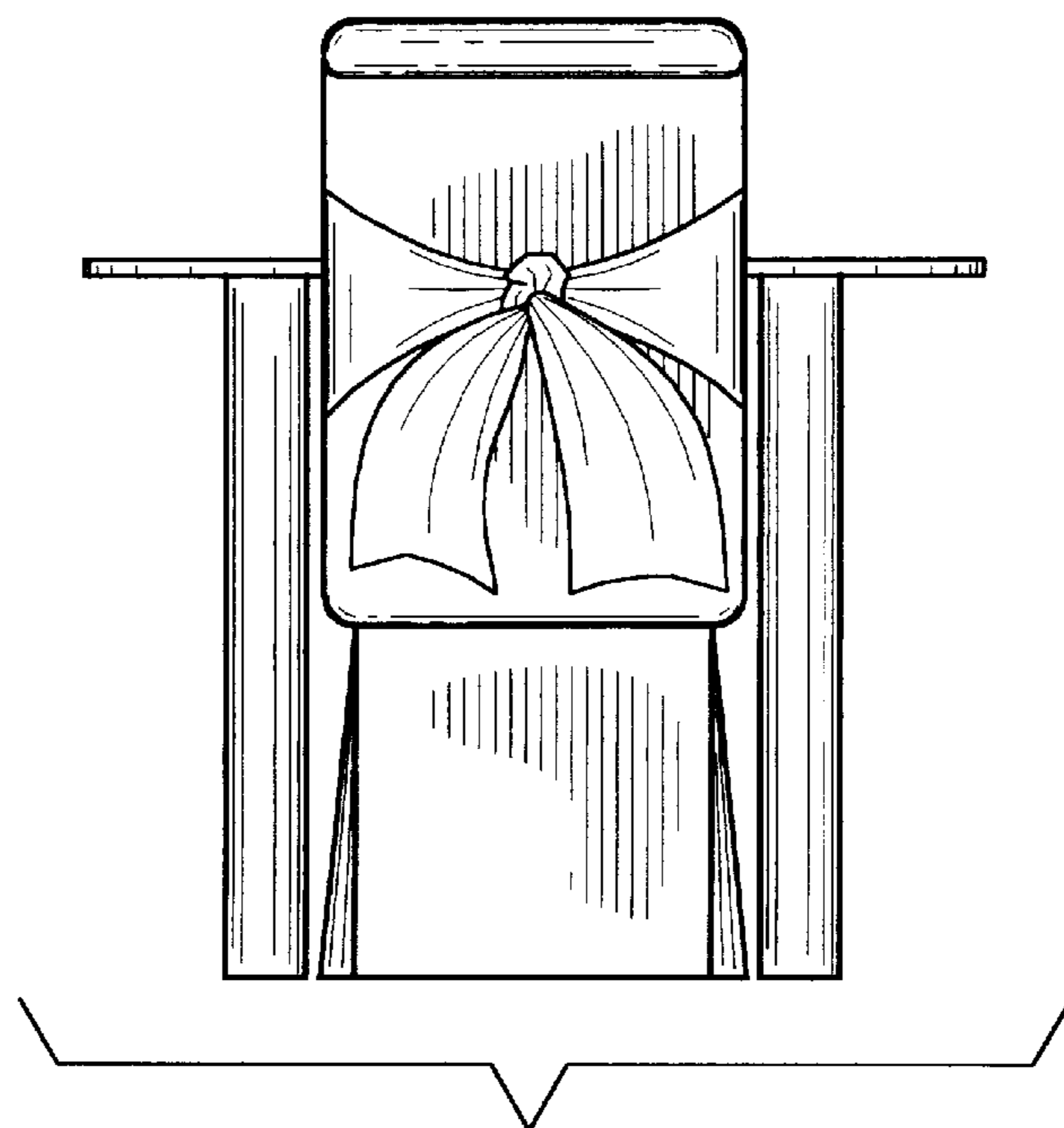


Fig. 2

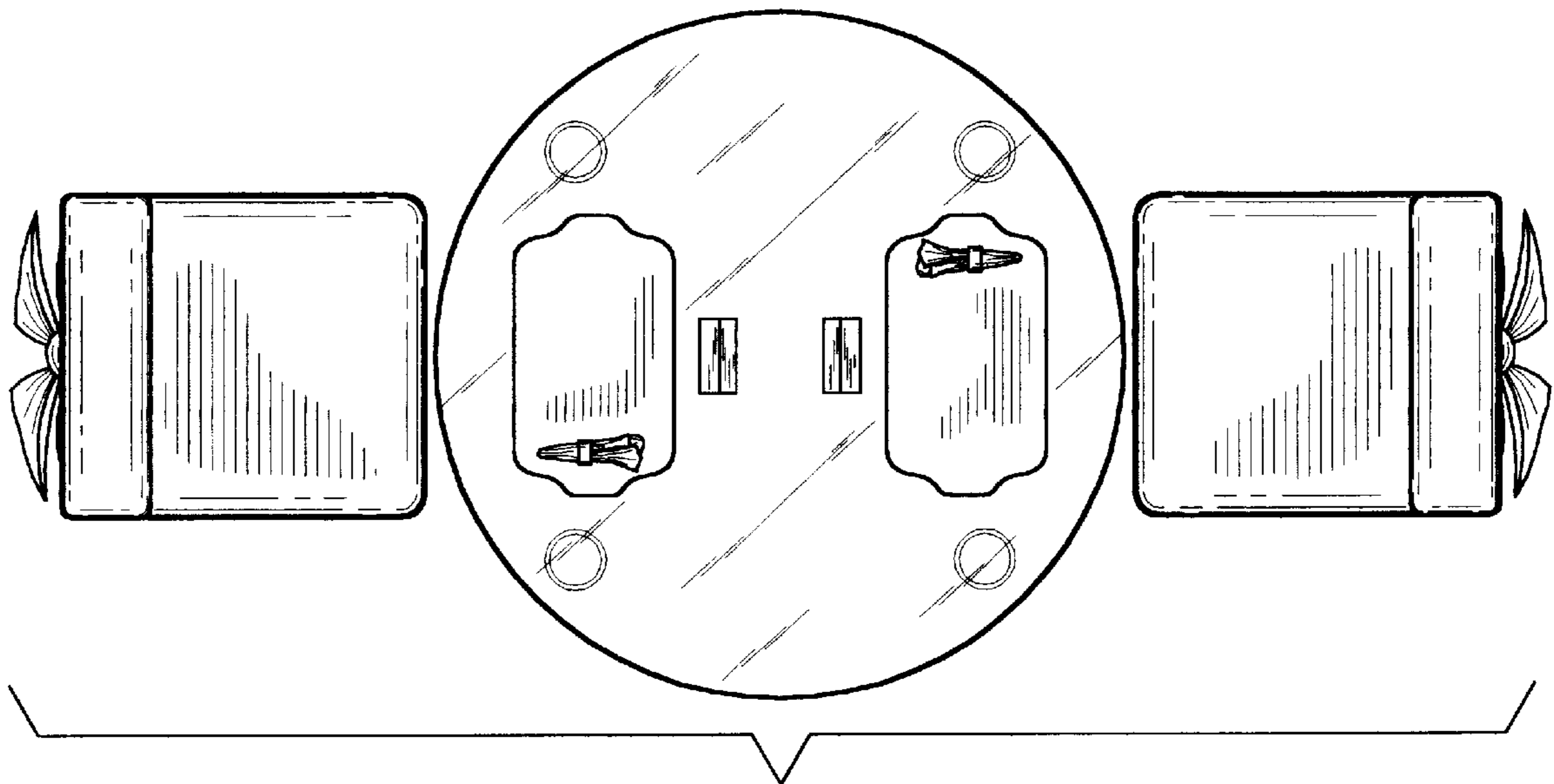


Fig. 3

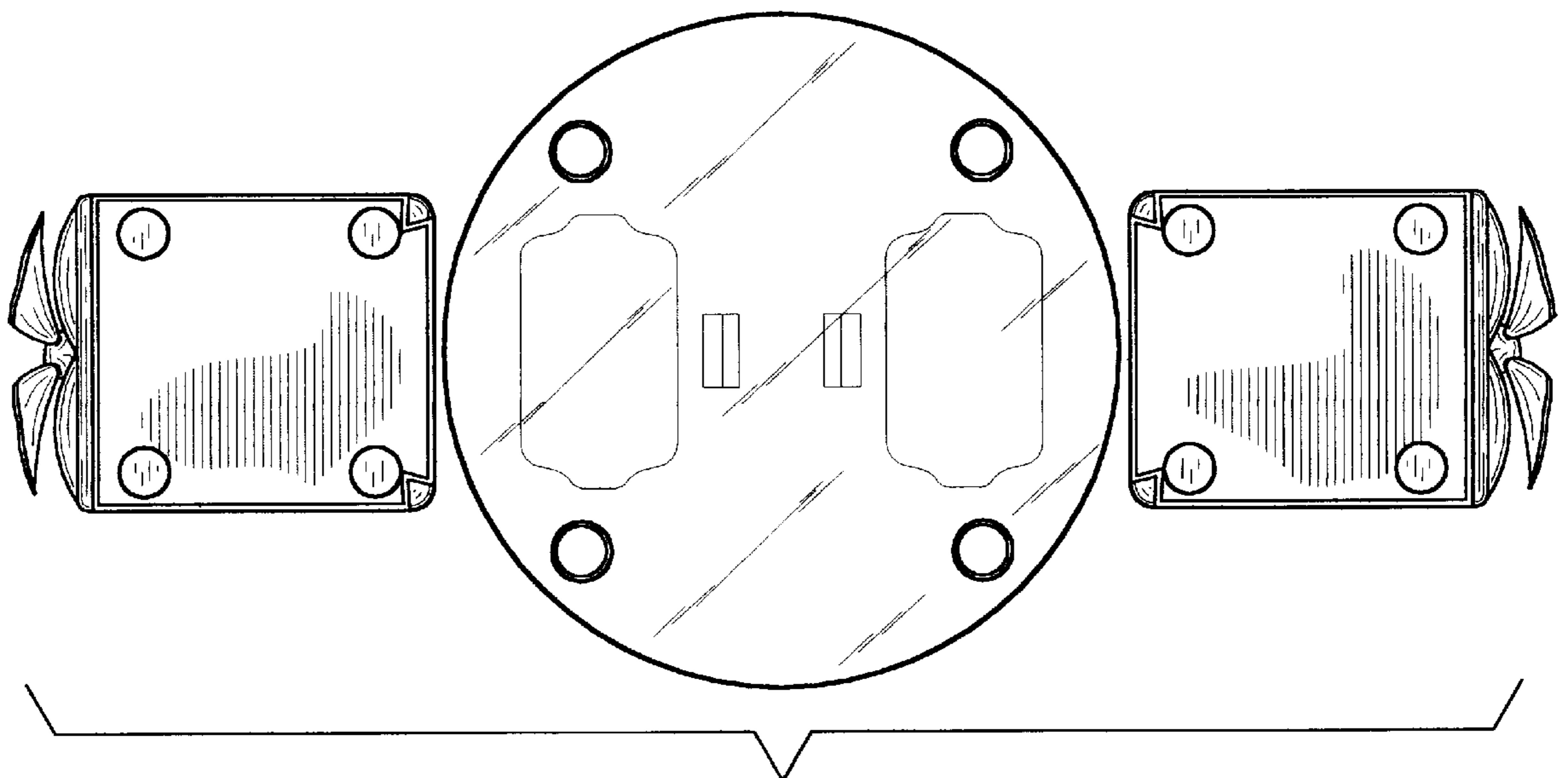


Fig. 4

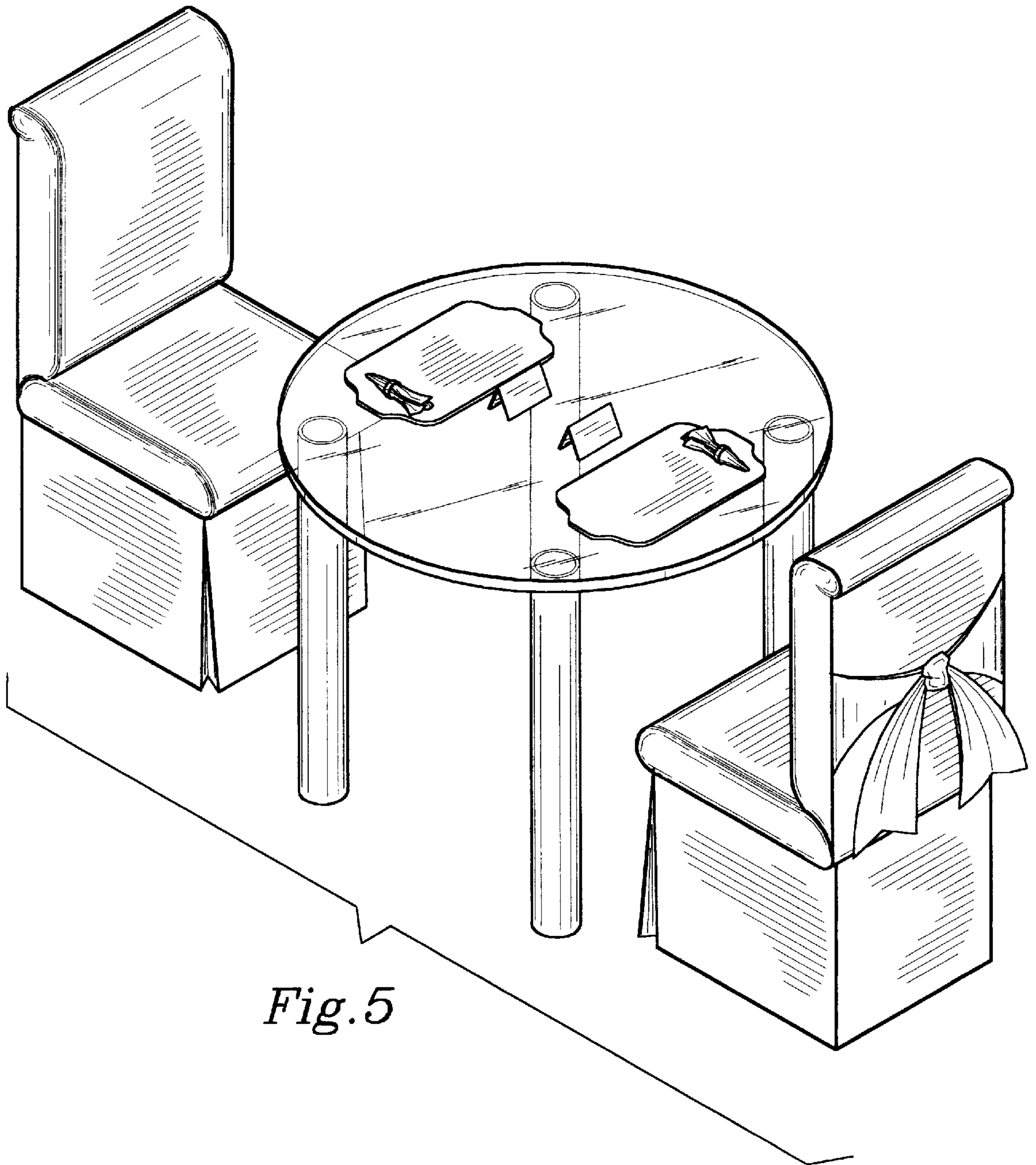


Fig. 5