



US00D436634S

(12) **United States Design Patent**  
**Cooper-Hart**

(10) **Patent No.:** **US D436,634 S**

(45) **Date of Patent:** **\*\* Jan. 23, 2001**

(54) **VIDEO GAME TABLE**

5,632,483 \* 5/1997 Garczynski et al. .... 273/309  
5,857,986 \* 1/1999 Moriyasu ..... 273/148 B X

(75) **Inventor:** **Michael A. Cooper-Hart**, Saratoga, CA (US)

\* cited by examiner

(73) **Assignee:** **Sega Enterprises (USA), Inc.**, San Francisco, CA (US)

*Primary Examiner*—Prabhakar Deshmukh  
(74) *Attorney, Agent, or Firm*—Carr & Ferrell LLP

(\*\*) **Term:** **14 Years**

(57) **CLAIM**

(21) **Appl. No.:** **29/114,171**

The ornamental design for a video game table, as shown and described.

(22) **Filed:** **Nov. 17, 1999**

**DESCRIPTION**

(51) **LOC (7) Cl.** ..... **21-01**

(52) **U.S. Cl.** ..... **D21/333; D21/397**

(58) **Field of Search** ..... D21/324, 328,  
D21/333, 334, 350, 385, 397; 273/148 B,  
281, 282.1, 287, 290, 309; 463/1, 7, 9,  
46, 47; D6/491, 495, 509

FIG. 1 is a perspective view showing the front side, left side, and top side of a video game table, according to my new design;

FIG. 2 is a top plan view of the video game table shown in perspective in FIG. 1;

FIG. 3 is a bottom plan view of the video game table, according to my new design;

FIG. 4 is a left elevation view of the video game table, the right elevation view being symmetrical thereto, according to my new design; and,

FIG. 5 is a front elevation view of the video game table, the rear elevation view being symmetrical thereto, according to my new design.

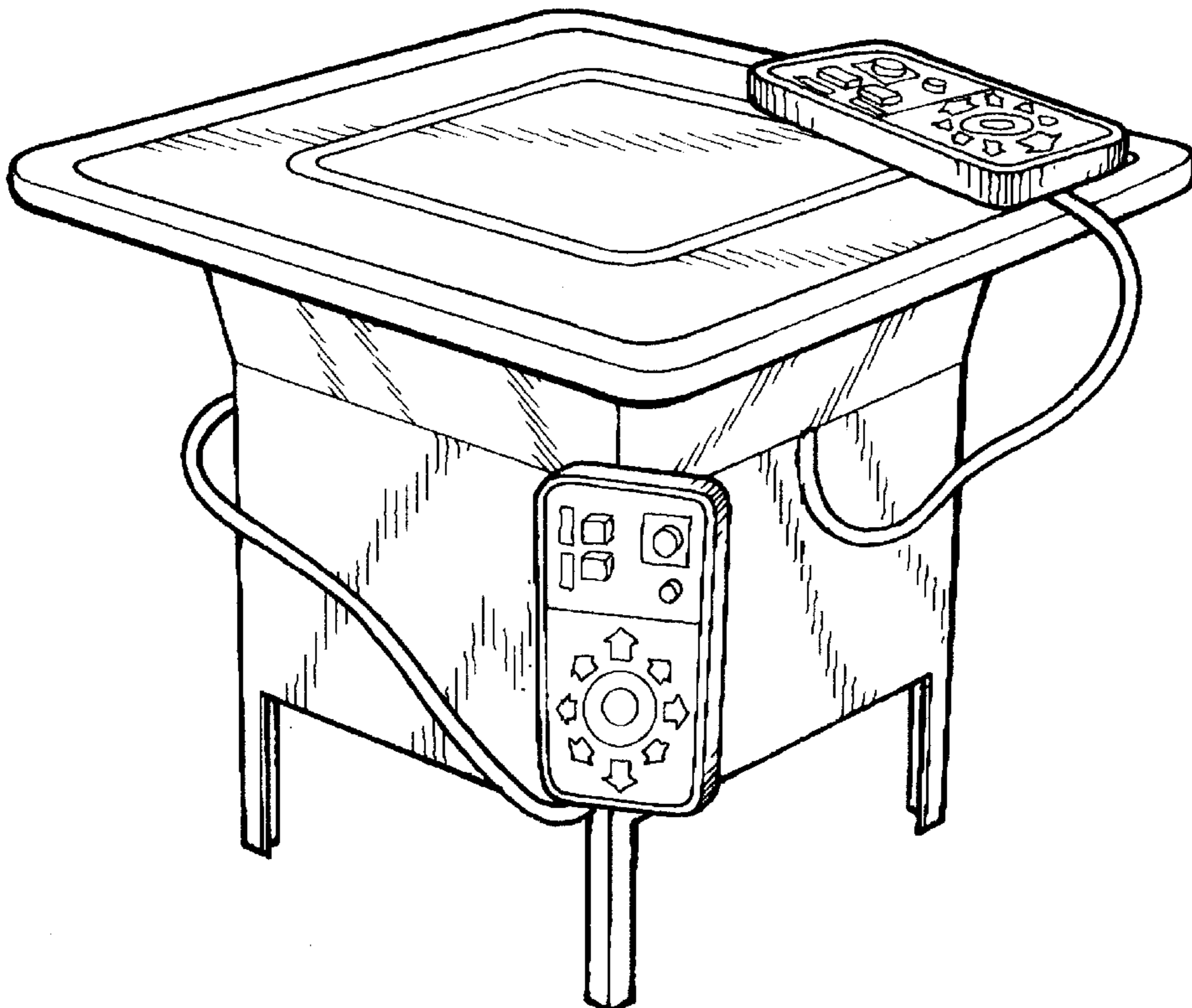
The controllers are shown in various alternate positions in the views.

(56) **References Cited**

**U.S. PATENT DOCUMENTS**

- D. 265,660 \* 8/1982 Jackson ..... D21/397
- D. 382,734 \* 8/1997 Hartman, Sr. .... D21/397
- 4,065,125 \* 12/1977 Chan ..... D21/397 X
- 4,923,200 \* 5/1990 Peterson ..... 273/309
- 5,114,157 \* 5/1992 Kita ..... 273/148 B
- 5,299,803 \* 4/1994 Halaby ..... 273/309
- 5,324,036 \* 6/1994 Morrow ..... 273/309
- 5,437,463 \* 8/1995 Fromm ..... 463/5

**1 Claim, 3 Drawing Sheets**



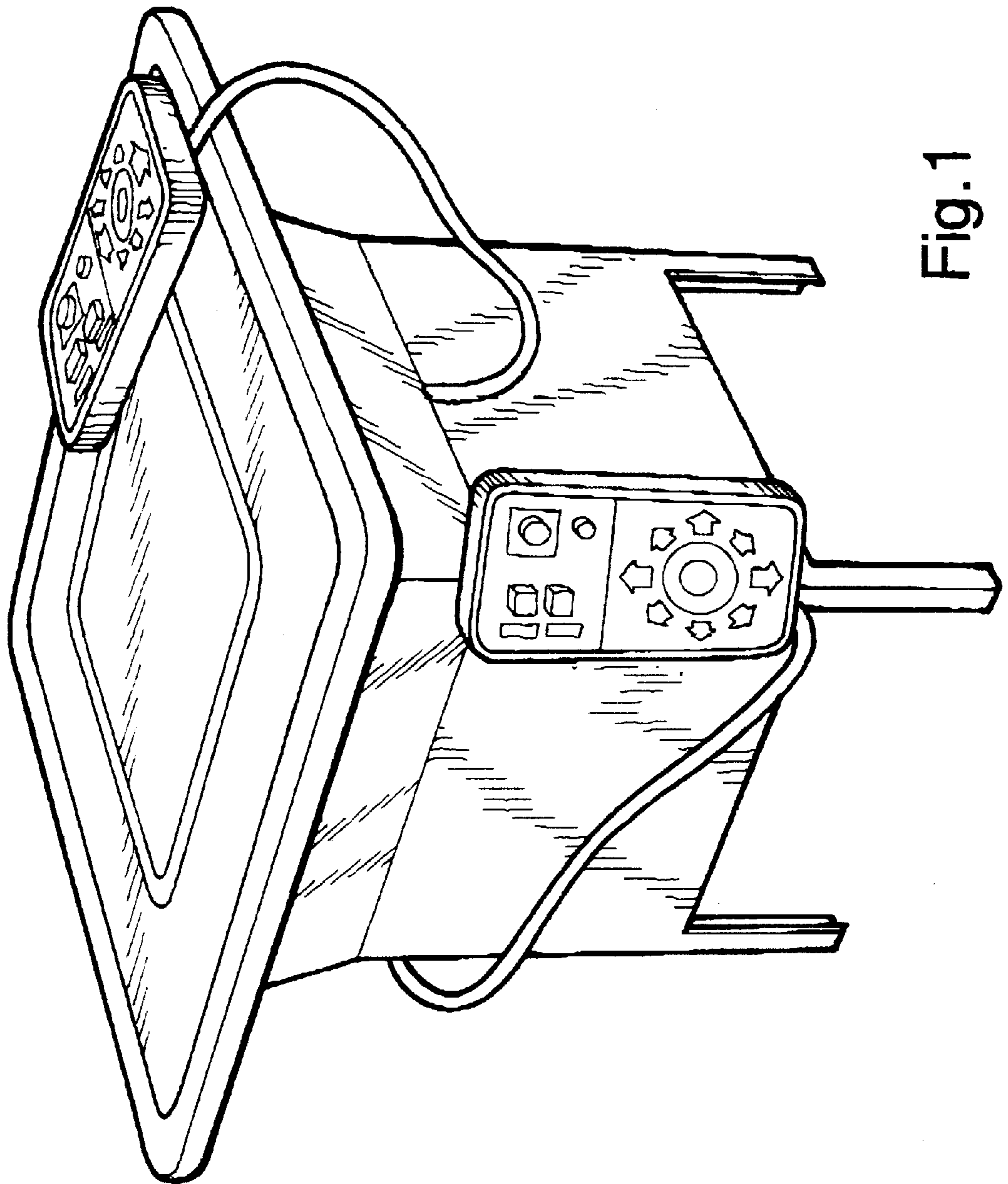


Fig. 1

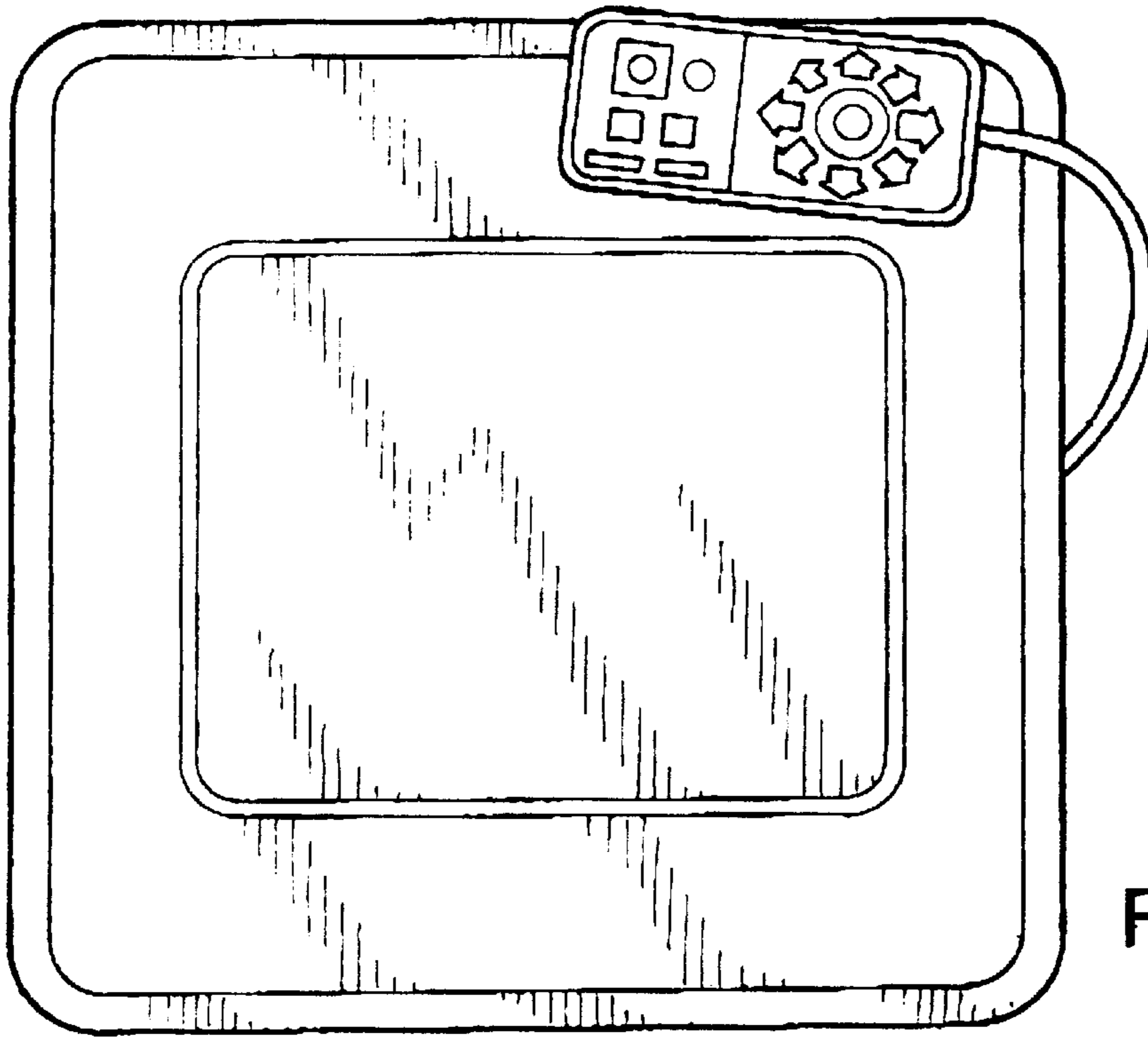


Fig.2

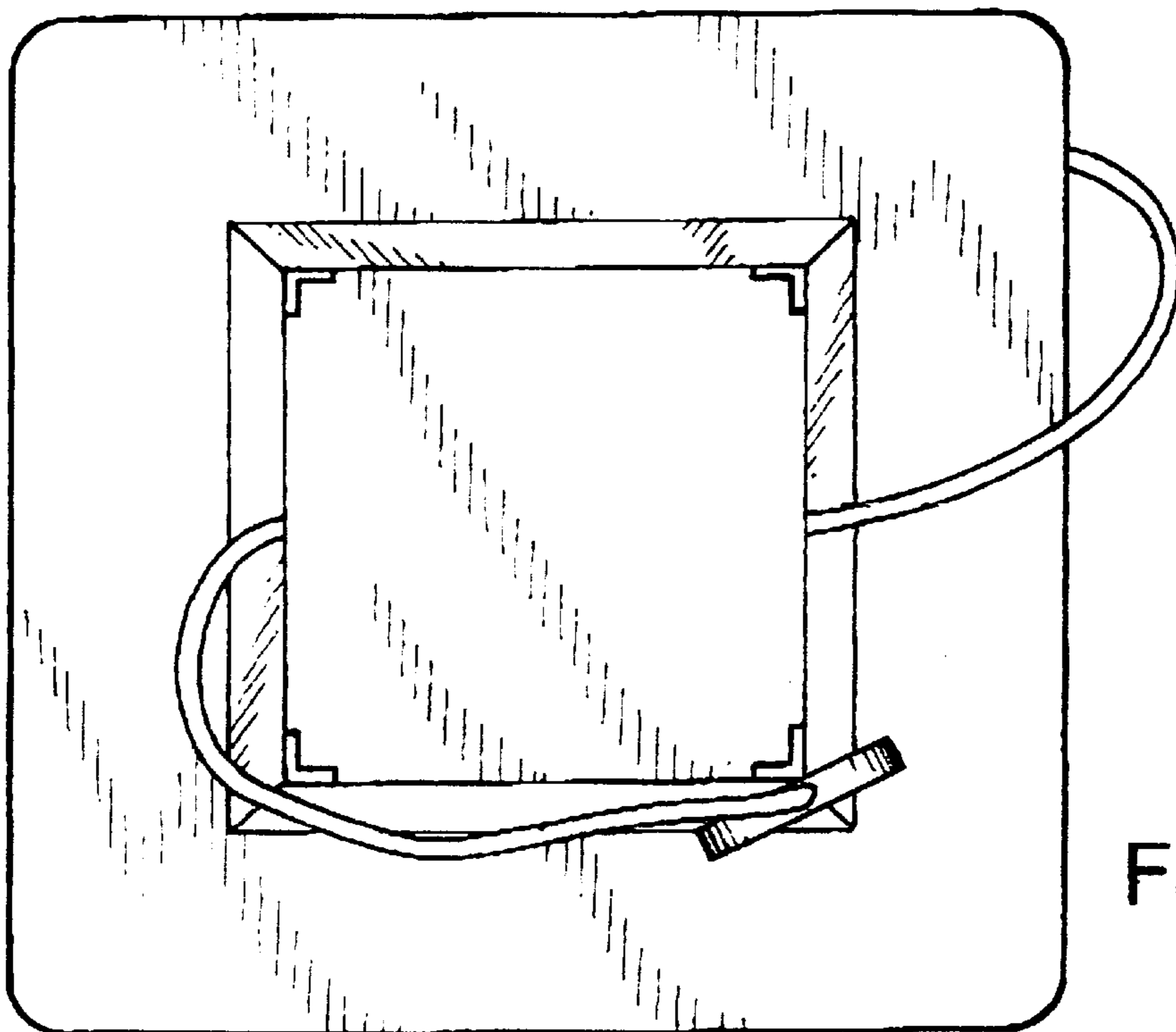


Fig.3

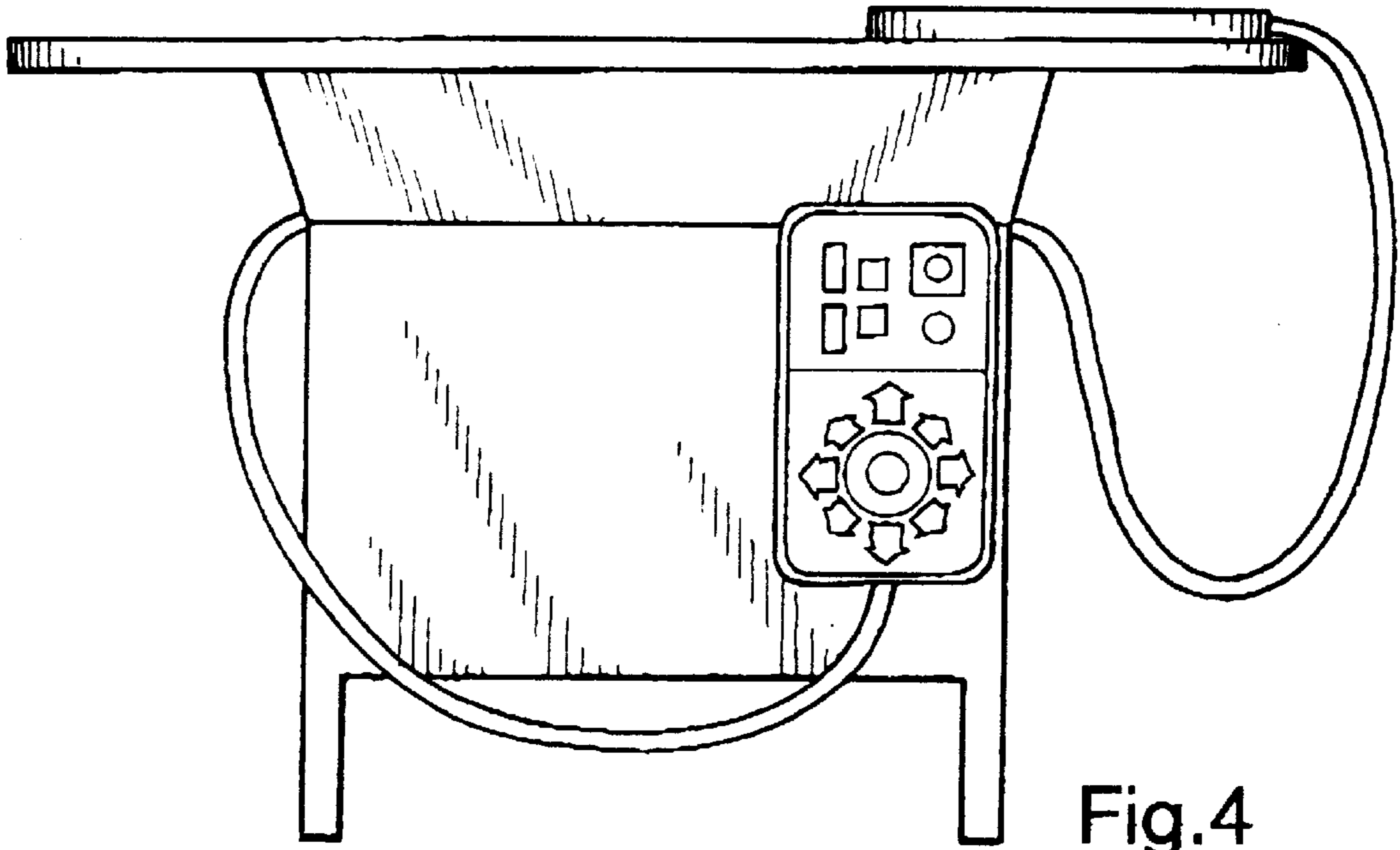


Fig.4

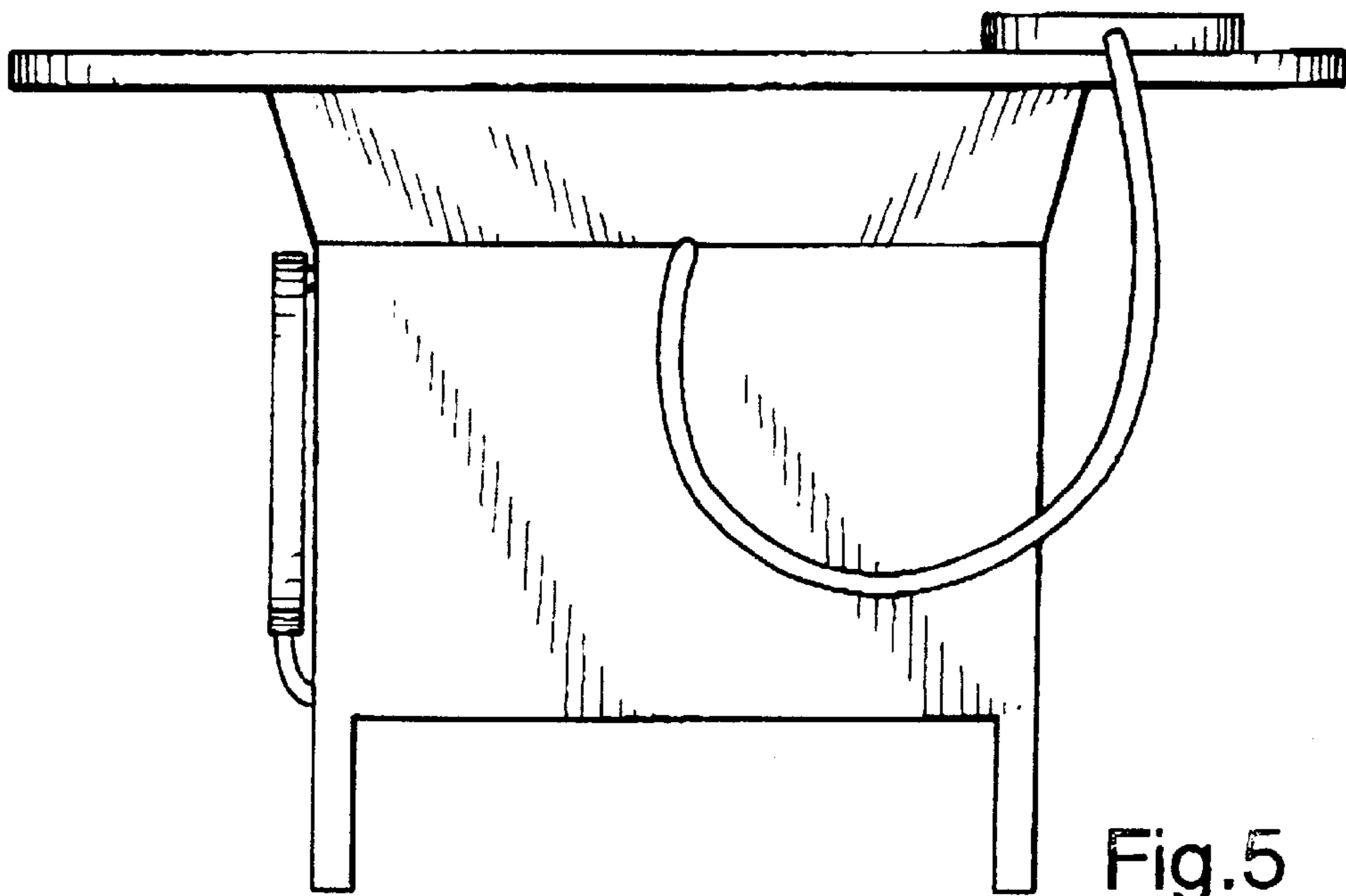


Fig.5