



US00D436633S

(12) **United States Design Patent**
Shimoide et al.

(10) **Patent No.:** **US D436,633 S**

(45) **Date of Patent:** **** Jan. 23, 2001**

(54) **GAME MACHINE**

(75) Inventors: **Kenji Shimoide**, Shibuya-ku; **Seiji Toki**, Minato-ku, both of (JP)

(73) Assignee: **Konami Co., Ltd.**, Hyogo-ken (JP)

(**) Term: **14 Years**

(21) Appl. No.: **29/110,094**

(22) Filed: **Aug. 30, 1999**

(30) **Foreign Application Priority Data**

Mar. 5, 1999 (JP) 11-5579

(51) **LOC (7) Cl.** **21-01**

(52) **U.S. Cl.** **D21/329**

(58) **Field of Search** D21/324, 329,
D21/331; 273/148 B; 463/1, 2, 29-35,
46, 47

(56) **References Cited**

U.S. PATENT DOCUMENTS

- D. 397,369 * 8/1998 Rissman D21/329
- D. 397,728 * 9/1998 Yuen et al. D21/329
- D. 399,537 * 10/1998 Chi et al. D21/329

- D. 403,362 * 9/1998 Fai D21/329
- 5,184,830 * 2/1993 Okada et al. 463/29
- 5,217,295 * 6/1993 Tortola et al. 362/109
- 5,672,108 * 9/1997 Lam et al. 463/2
- 5,893,798 * 9/1998 Stambolic et al. 463/46

OTHER PUBLICATIONS

Hong Kong Enterprise, p. 334, Oct. 1996.*

* cited by examiner

Primary Examiner—Prabhakar Deshmukh

(74) *Attorney, Agent, or Firm*—Jordan and Hamburg LLP

(57) **CLAIM**

The ornamental design for game machine, as shown and described.

DESCRIPTION

FIG. 1 is a perspective view of game machine;
 FIG. 2 is a front view thereof;
 FIG. 3 is a rear view thereof;
 FIG. 4 is a left side view thereof;
 FIG. 5 is a right side view thereof;
 FIG. 6 is a top view thereof; and,
 FIG. 7 is a bottom view thereof.

1 Claim, 6 Drawing Sheets

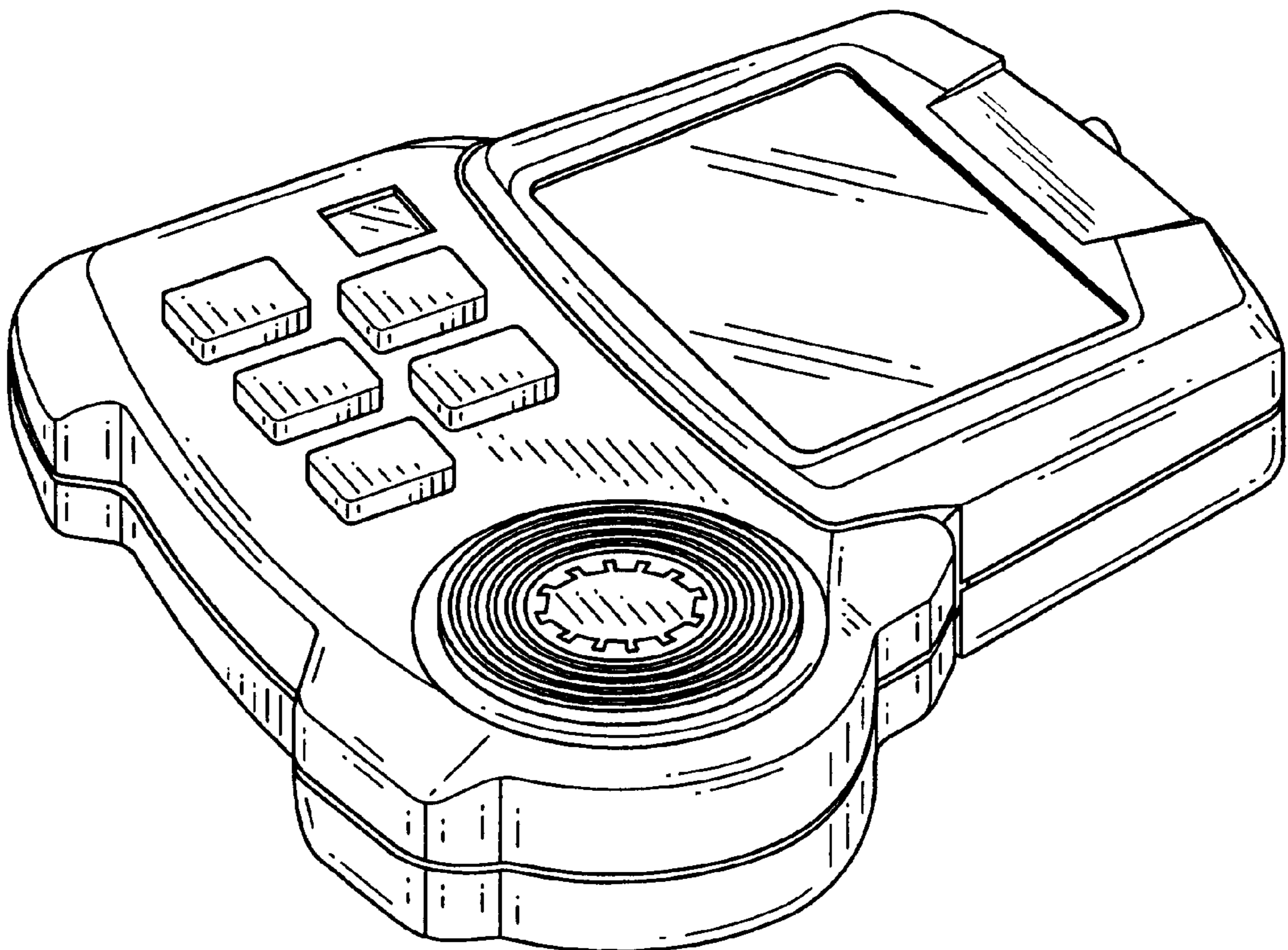


FIG. 1

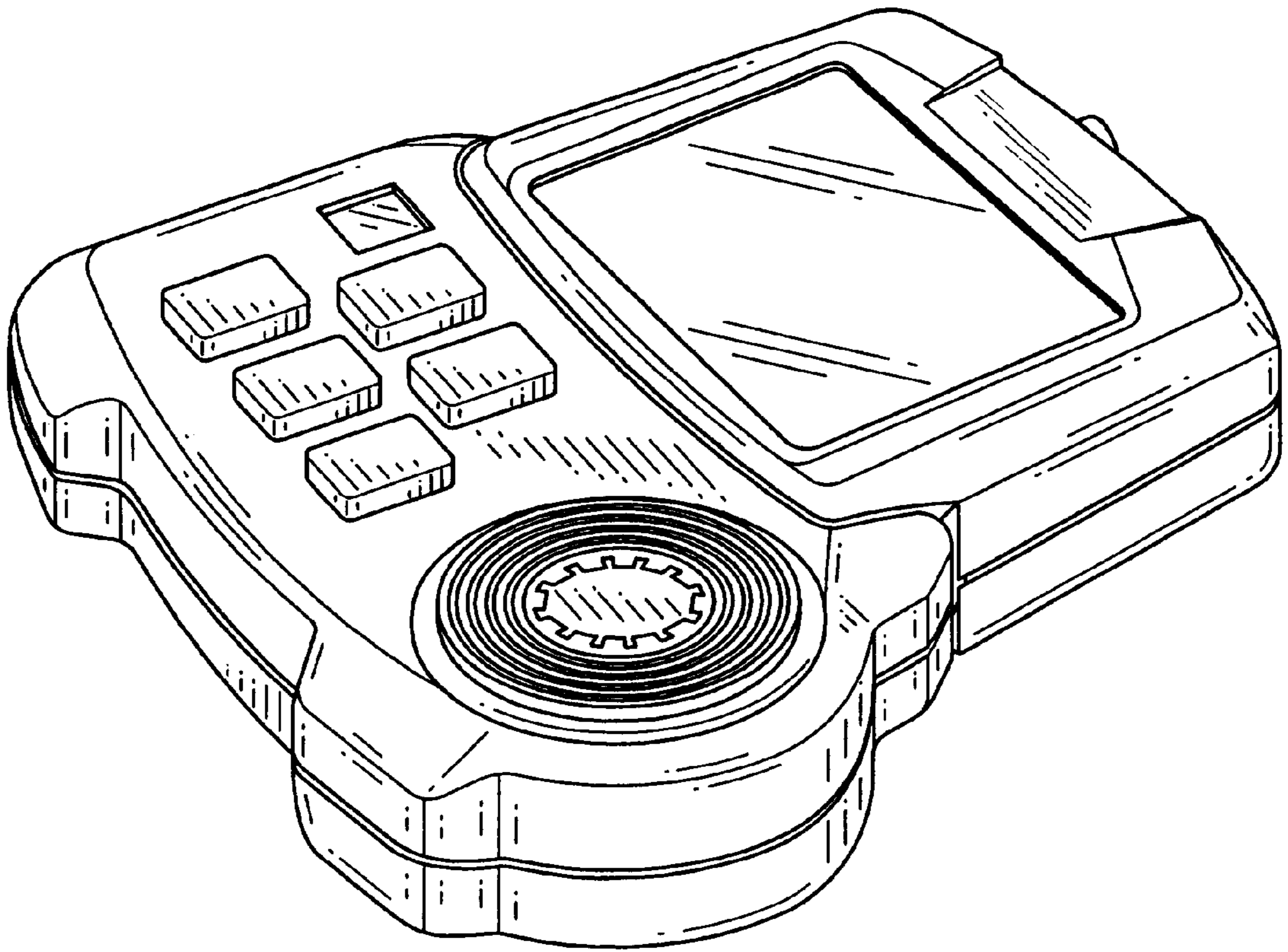


FIG. 2

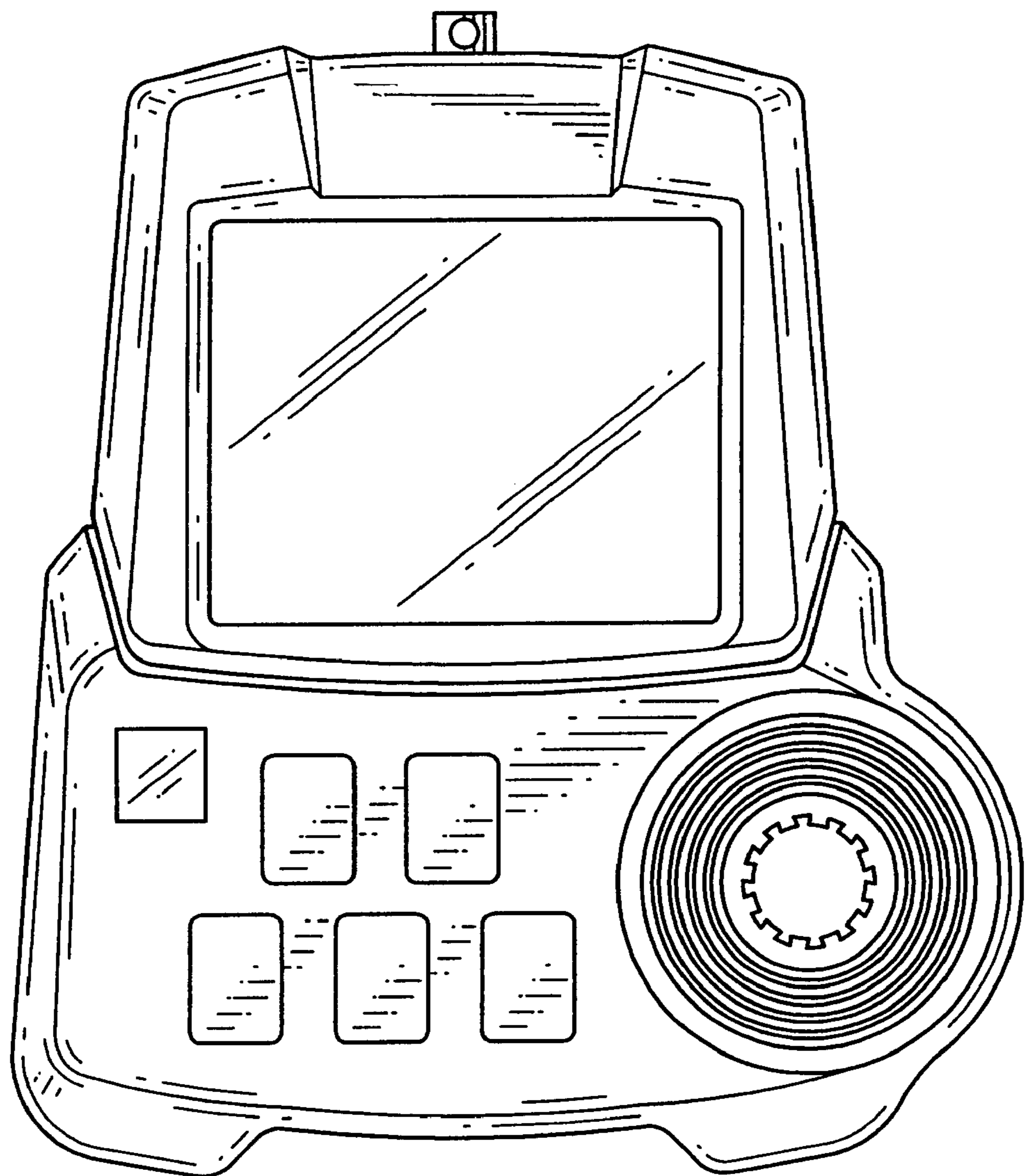


FIG. 3

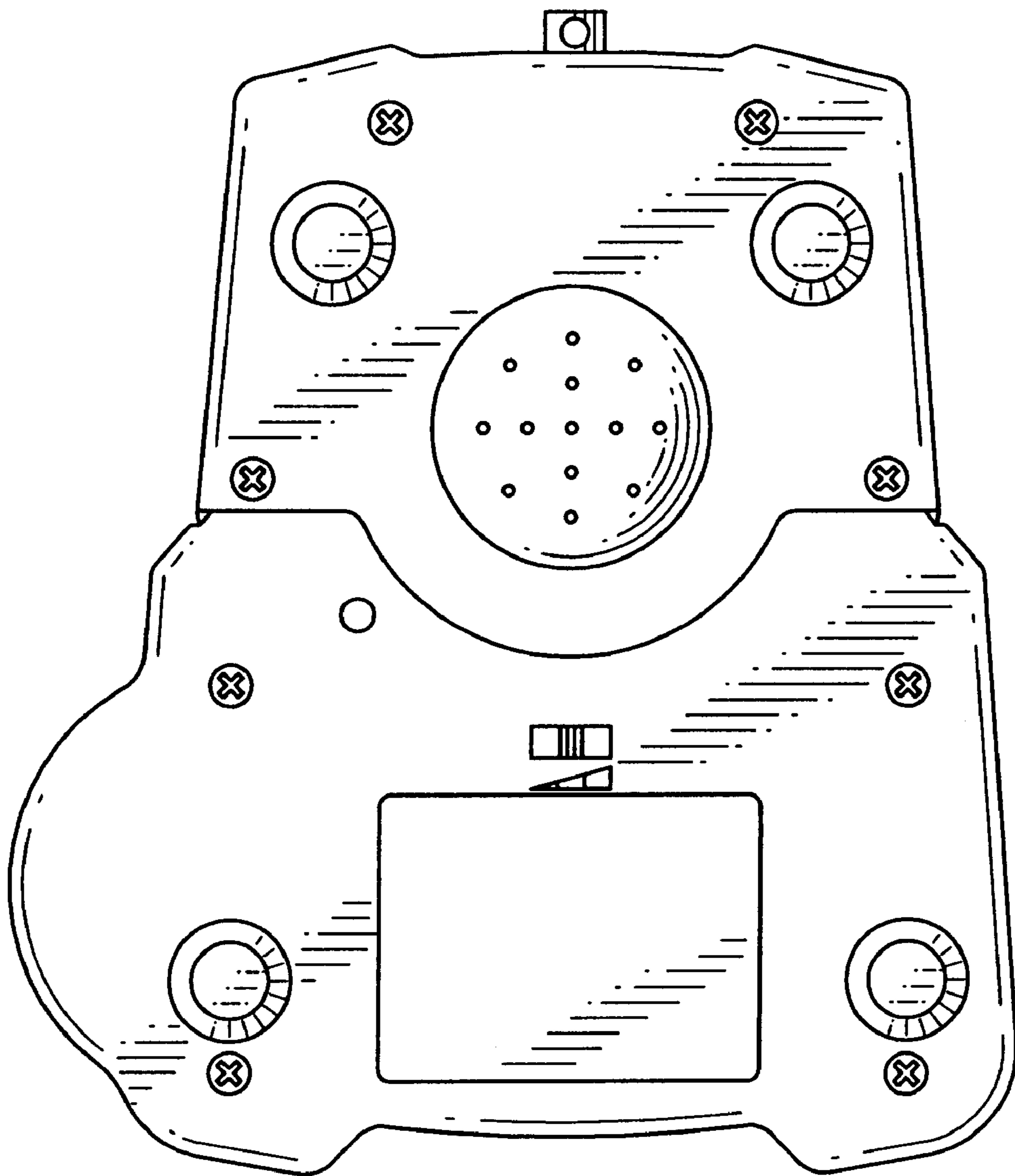


FIG. 4

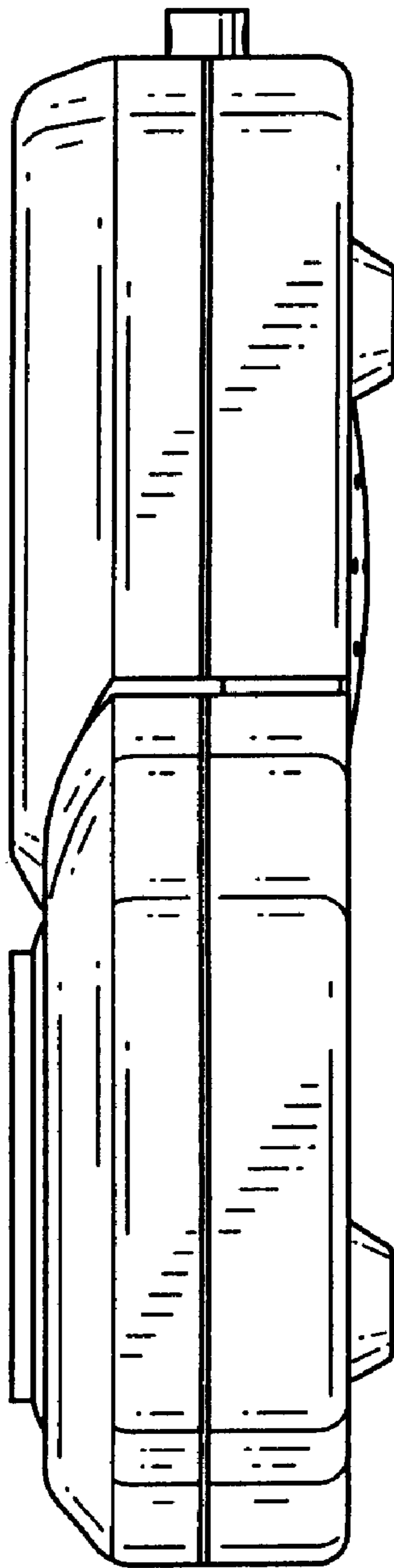


FIG. 5

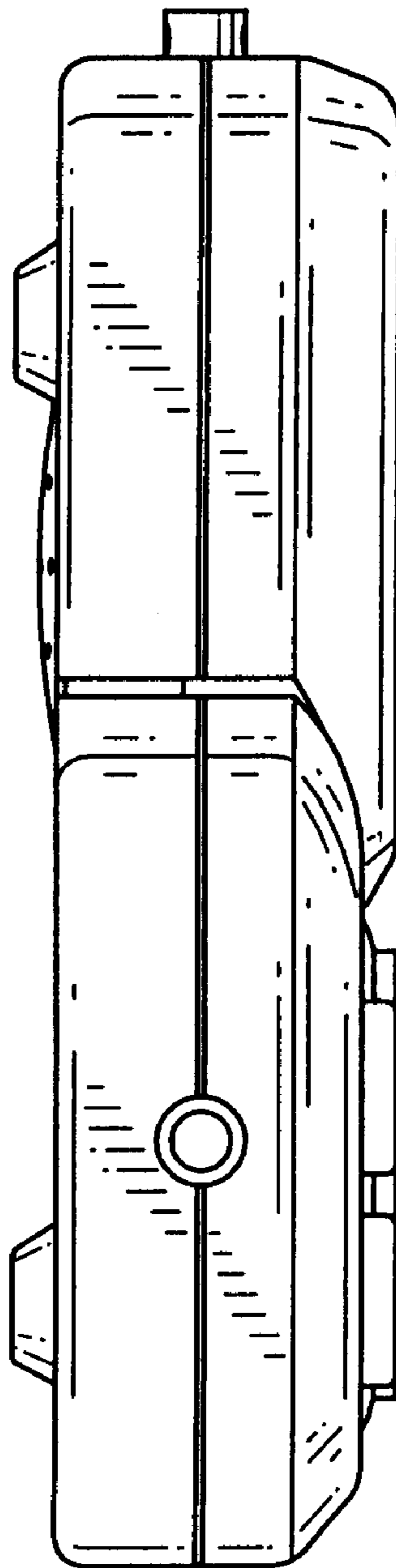


FIG. 6

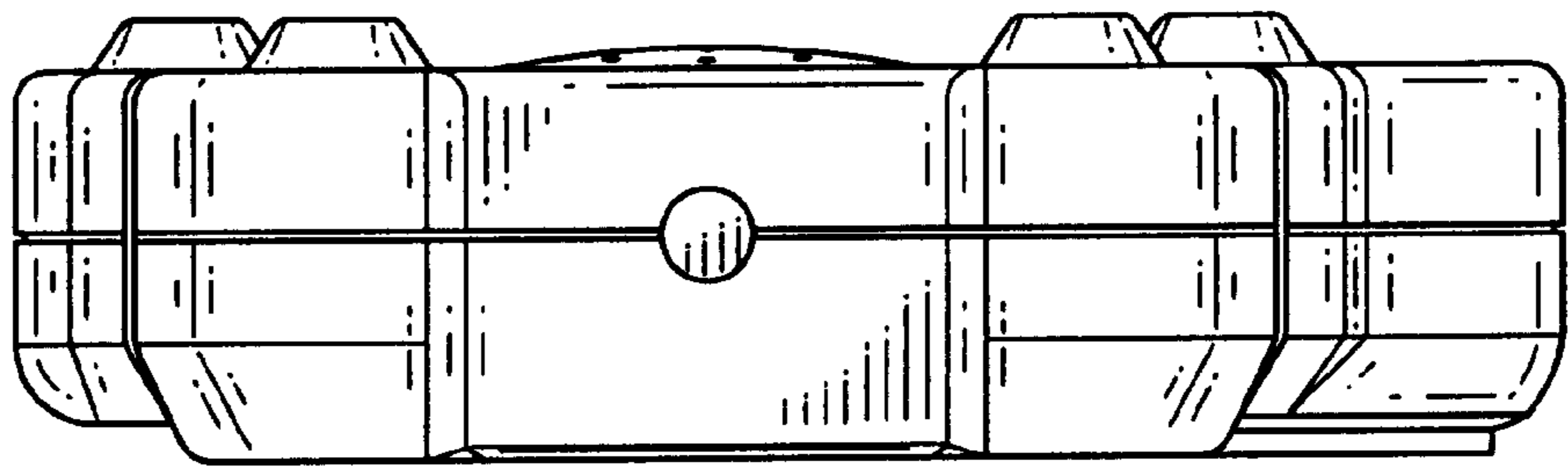


FIG. 7

