



US00D436631S

(12) **United States Design Patent**
Caloia et al.

(10) **Patent No.:** **US D436,631 S**
(45) **Date of Patent:** **** Jan. 23, 2001**

(54) **DEVICE TAG FOR DISPLAY OF ELECTRICAL DEVICES**

(75) Inventors: **Lisa Cookie Caloia**, Solvay; **Timothy Kiggins**; **Frederick Kandel**, both of Syracuse, all of NY (US)

(73) Assignee: **Pass & Seymour, Inc.**, Solvay, NY (US)

(**) Term: **14 Years**

(21) Appl. No.: **29/107,892**

(22) Filed: **Jul. 15, 1999**

Related U.S. Application Data

(62) Division of application No. 29/097,815, filed on Dec. 15, 1998, now Pat. No. Des. 416,050.

(51) **LOC (7) Cl.** **19-08**

(52) **U.S. Cl.** **D20/22; D20/23; D13/154**

(58) **Field of Search** **D20/10, 11, 22-28, D20/40; 40/1.5, 299.01, 300, 316, 27.5; 283/81; D13/154, 157**

(56) **References Cited**

U.S. PATENT DOCUMENTS

D. 377,688 * 1/1997 Dunshee et al. D20/11 X

OTHER PUBLICATIONS

Lightning Symbol, Design Patent Application Manual, May 1998.*

* cited by examiner

Primary Examiner—Susan J. Lucas

Assistant Examiner—Jennifer Rivard

(74) *Attorney, Agent, or Firm*—Harter, Secrest & Emery LLP; Stephen B. Salai, Esq.; Brian B. Shaw, Esq.

(57) **CLAIM**

The ornamental design for a device tag for display of electrical devices, as shown and described.

DESCRIPTION

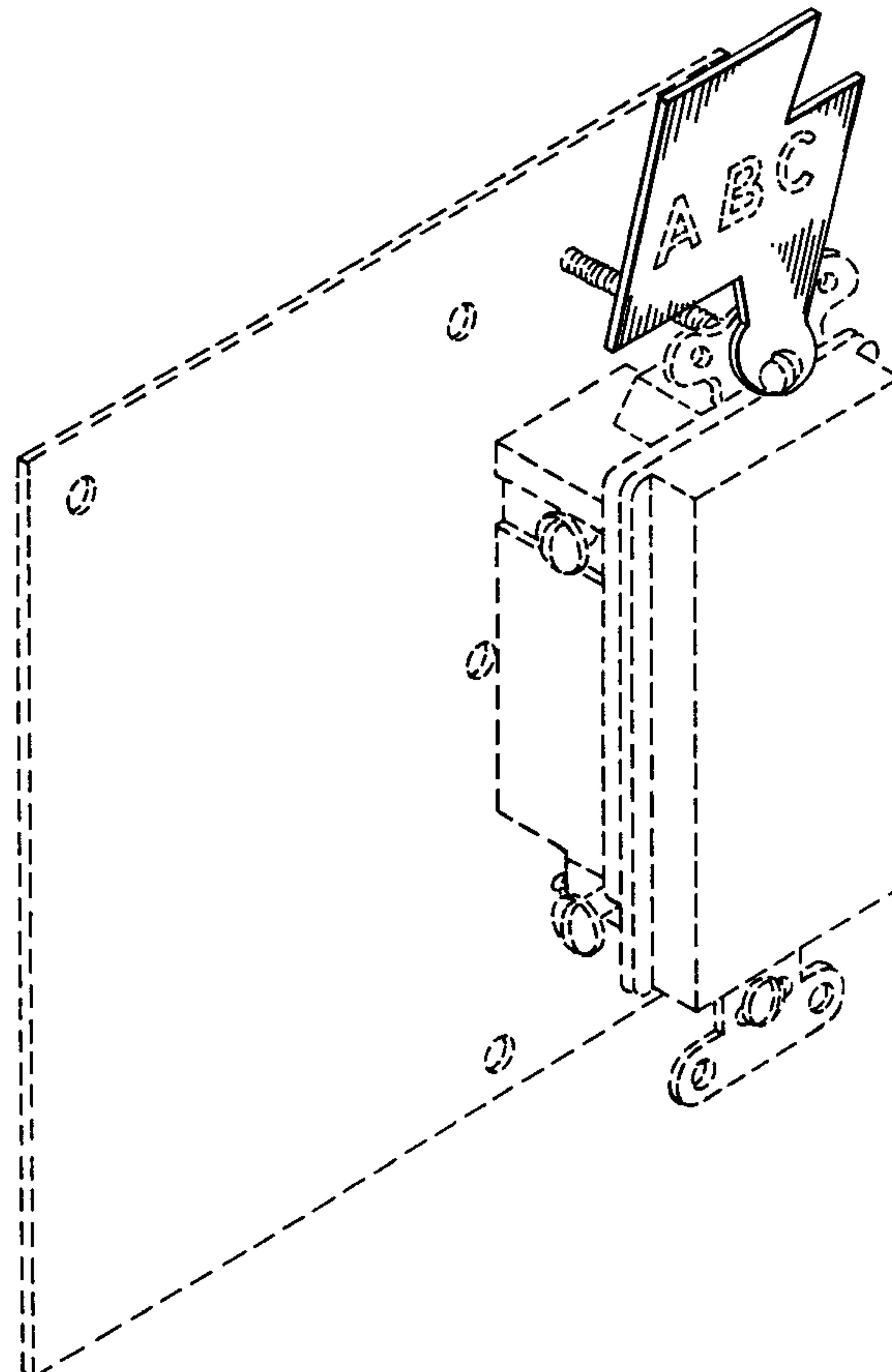
FIG. 1 is a front elevation of the tag of FIG. 1 showing our new design;

FIG. 2 is a rear elevation of the tag of FIG. 1;

FIG. 3 is a side elevational view of the tag of FIG. 1; and, FIG. 4 is a perspective view showing the tag of FIG. 1 in cooperative orientation with respect to an electrical display device.

The broken lines are shown for illustrative purposes only and form no part of the claimed design.

1 Claim, 2 Drawing Sheets



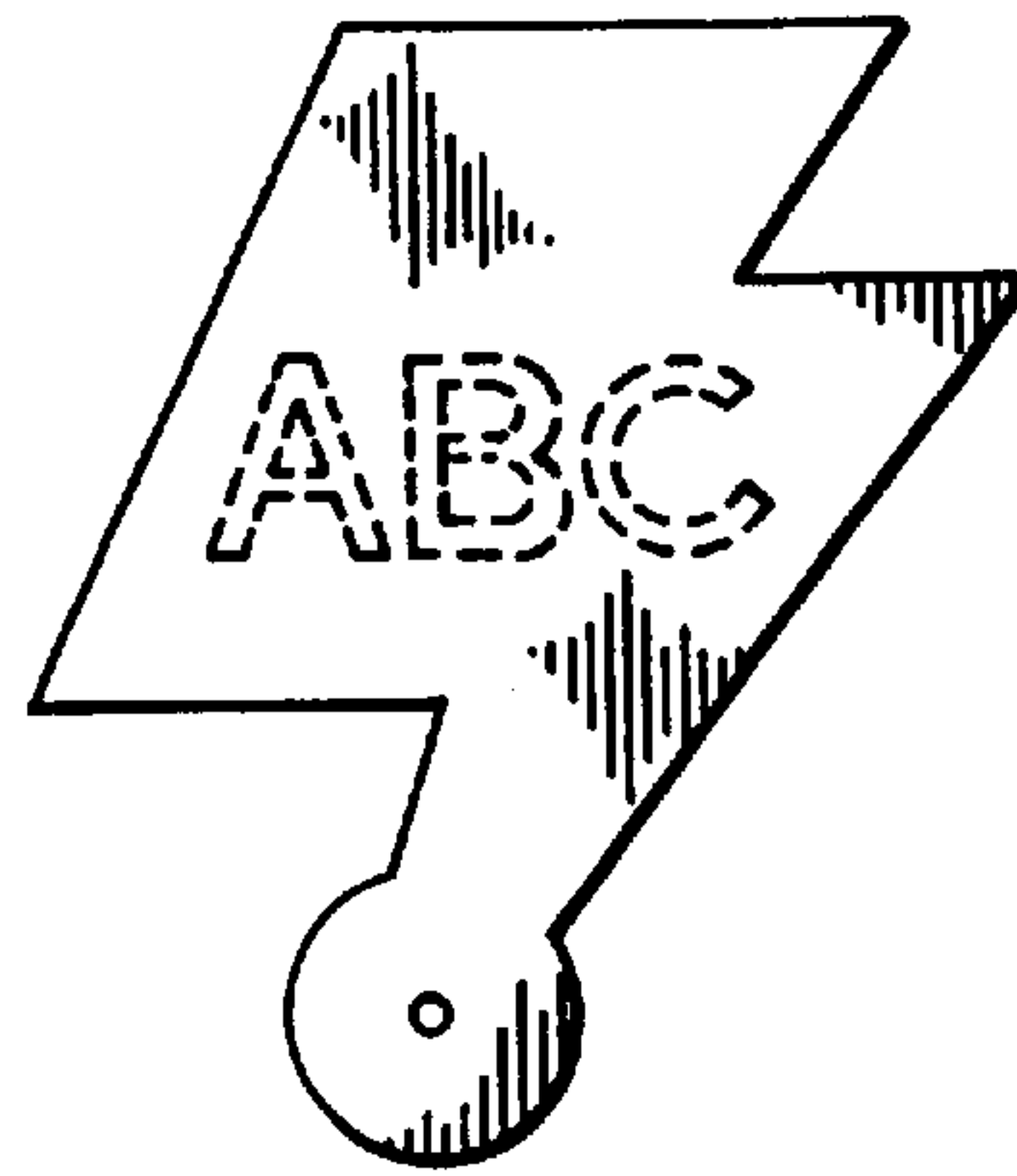


FIG. 1

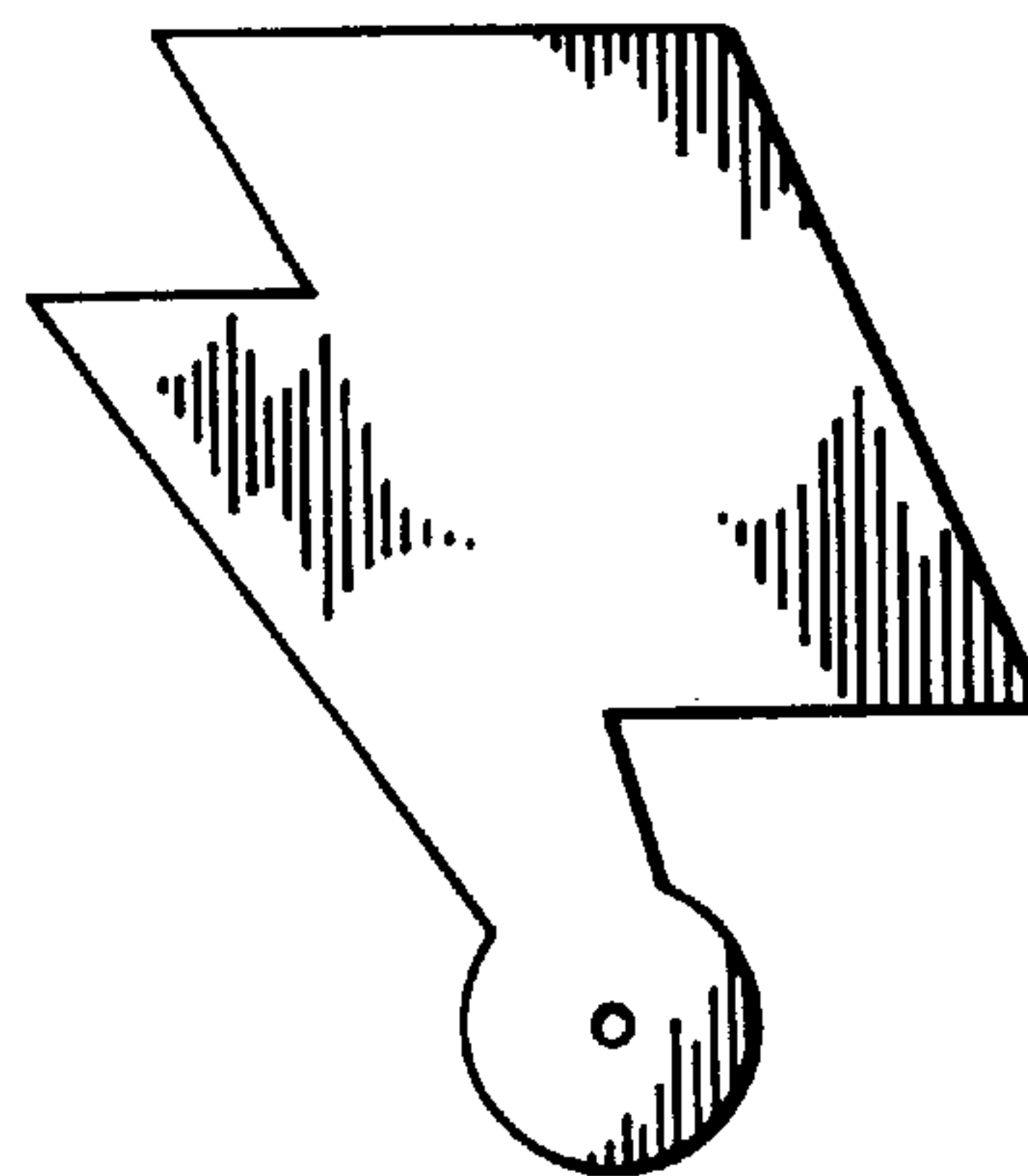


FIG. 2



FIG. 3

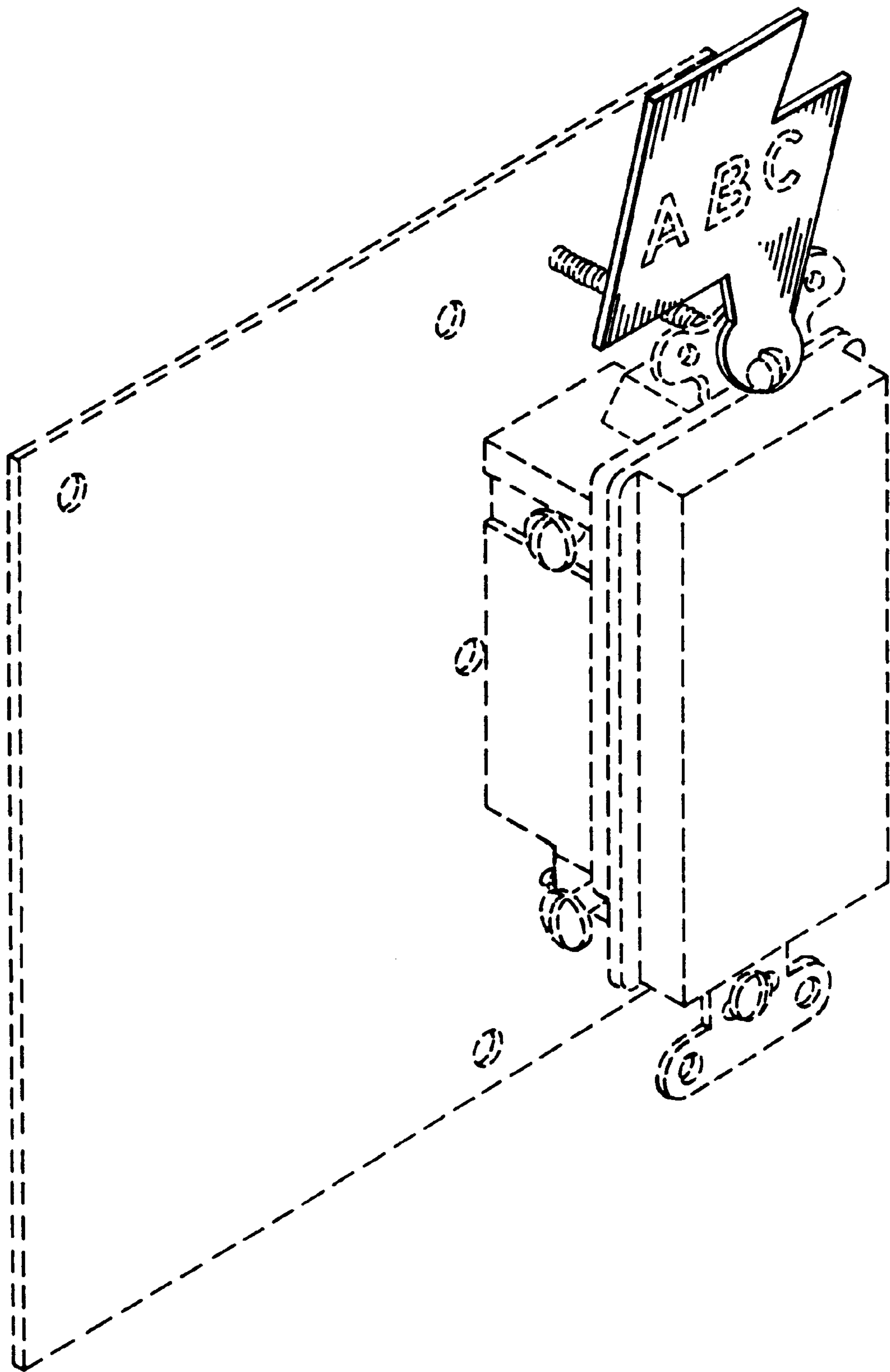


FIG. 4