



US00D436629S

(12) **United States Design Patent**
Fawkes et al.

(10) **Patent No.:** **US D436,629 S**

(45) **Date of Patent:** **** Jan. 23, 2001**

(54) **DISPLAY**

D. 418,832 * 1/2000 Tsuge D14/128
D. 425,875 * 5/2000 Wilson D20/10

(75) Inventors: **David Henley Fawkes**, Glenfield;
Richard Holmes, Nuneaton, both of
(GB)

* cited by examiner

Primary Examiner—Marcus A. Jackson
(74) *Attorney, Agent, or Firm*—Ritter, Van Pelt & Yi LLP

(73) Assignee: **Digilens, Inc.**, Sunnyvale, CA (US)

(**) Term: **14 Years**

(57) **CLAIM**

The ornamental design for a display, as shown and described.

(21) Appl. No.: **29/117,105**

(22) Filed: **Jan. 13, 2000**

DESCRIPTION

(51) **LOC (7) Cl.** **19-08**

FIG. 1 is a front three quarter elevational view of a display showing my new design.

(52) **U.S. Cl.** **D20/10; D14/128**

FIG. 2 is a rear three quarter elevational view thereof.

(58) **Field of Search** D20/10, 99; D14/100,
D14/101, 106, 107, 128, 130, 151, 240;
379/419, 420, 428, 440, 453; 40/584, 624

FIG. 3 is a front elevational view thereof.

FIG. 4 is a left side view thereof.

FIG. 5 is a rear three quarter view thereof.

FIG. 6 is a plan top view thereof.

FIG. 7 is a right side view thereof; and,

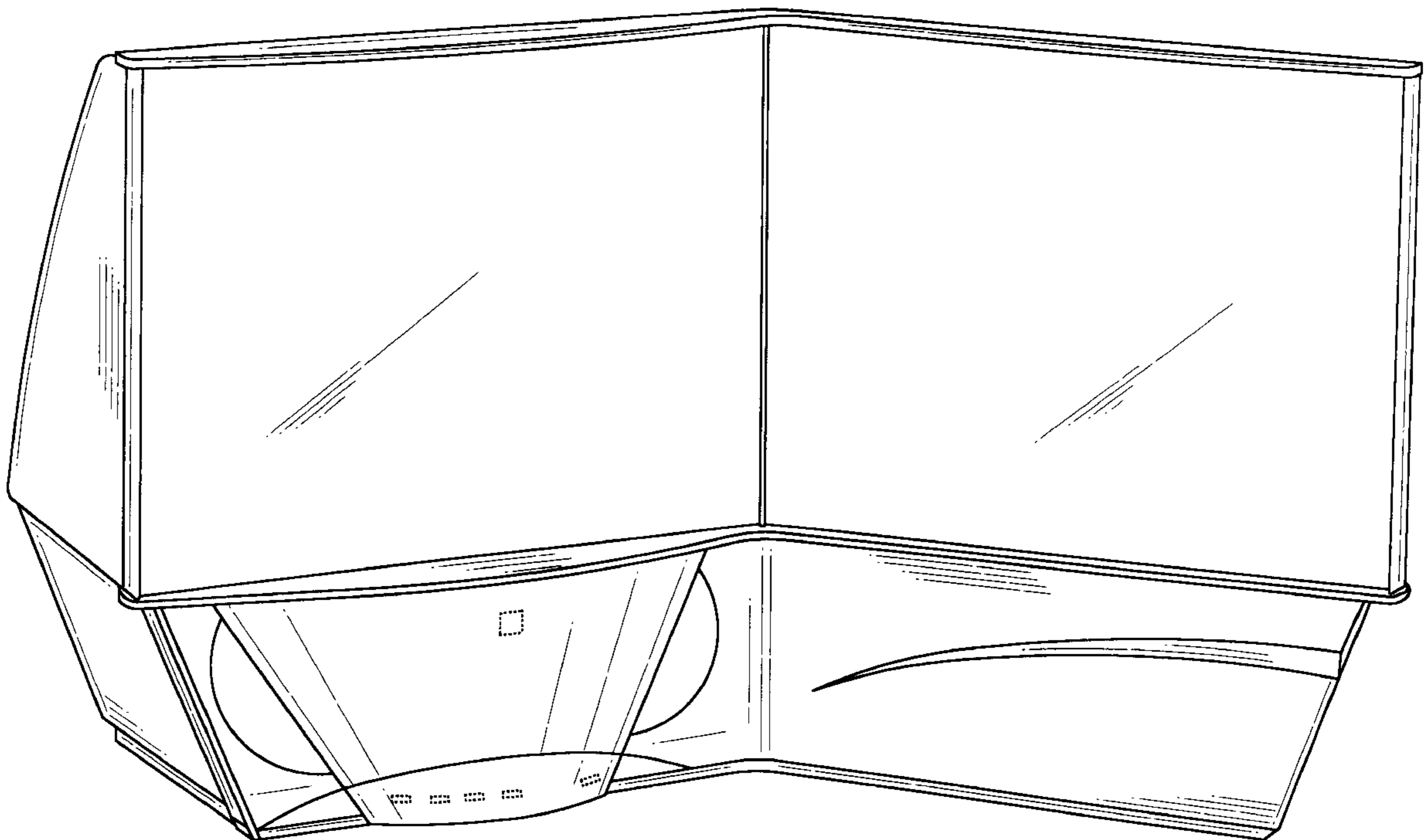
FIG. 8 is a plan bottom view thereof.

(56) **References Cited**

U.S. PATENT DOCUMENTS

D. 394,057 * 5/1998 Bourgerie D14/128

1 Claim, 7 Drawing Sheets



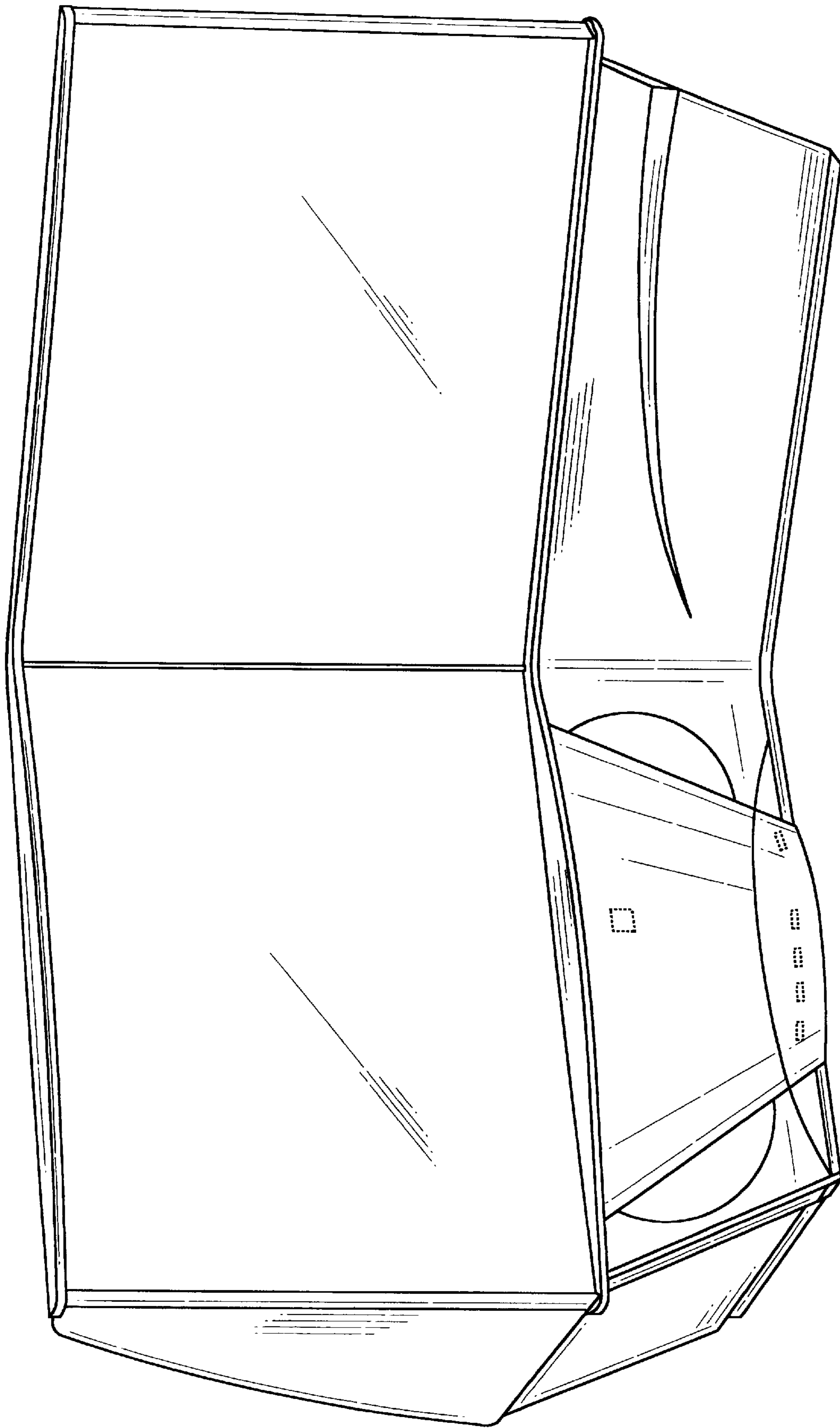


FIG. 1

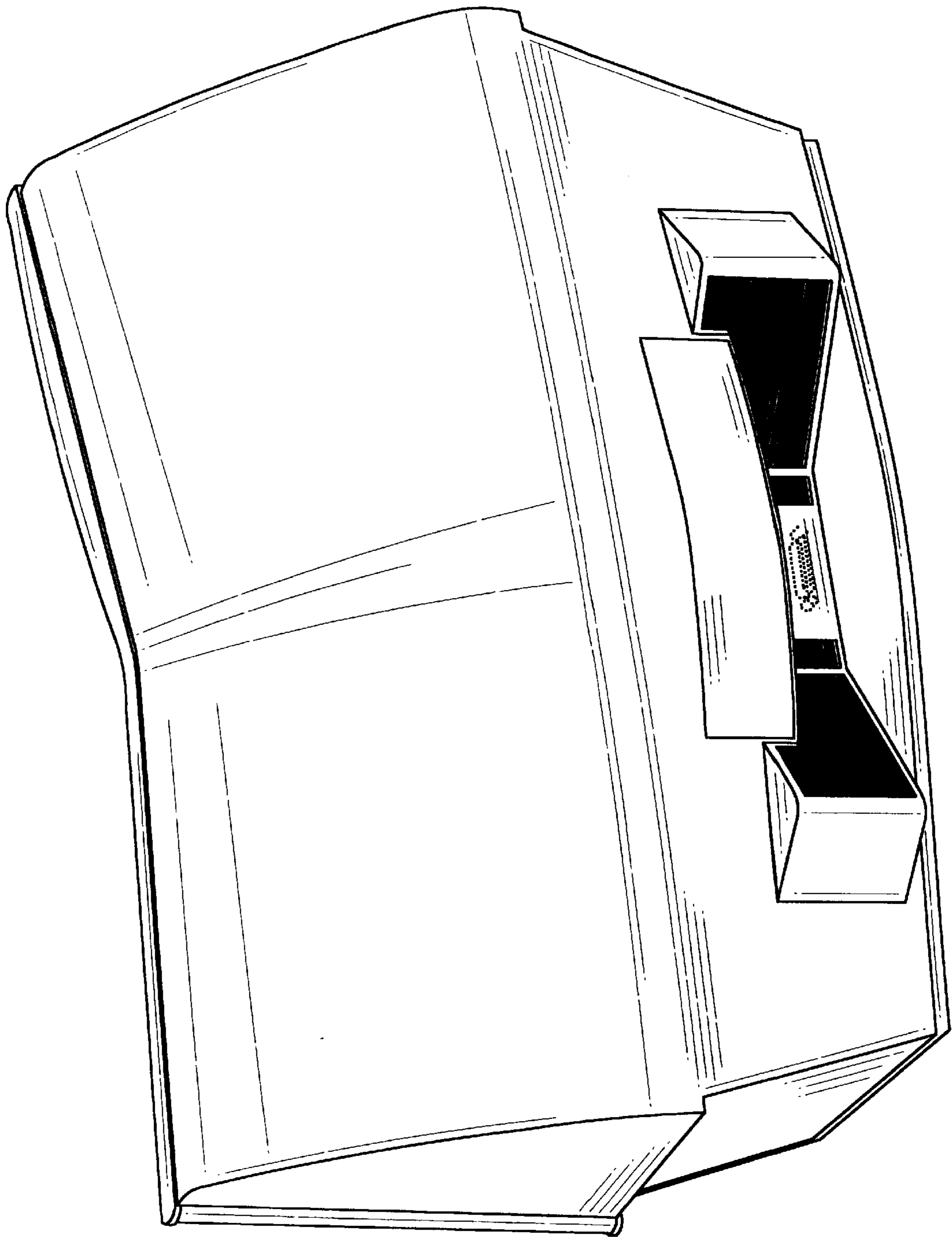


FIG. 2

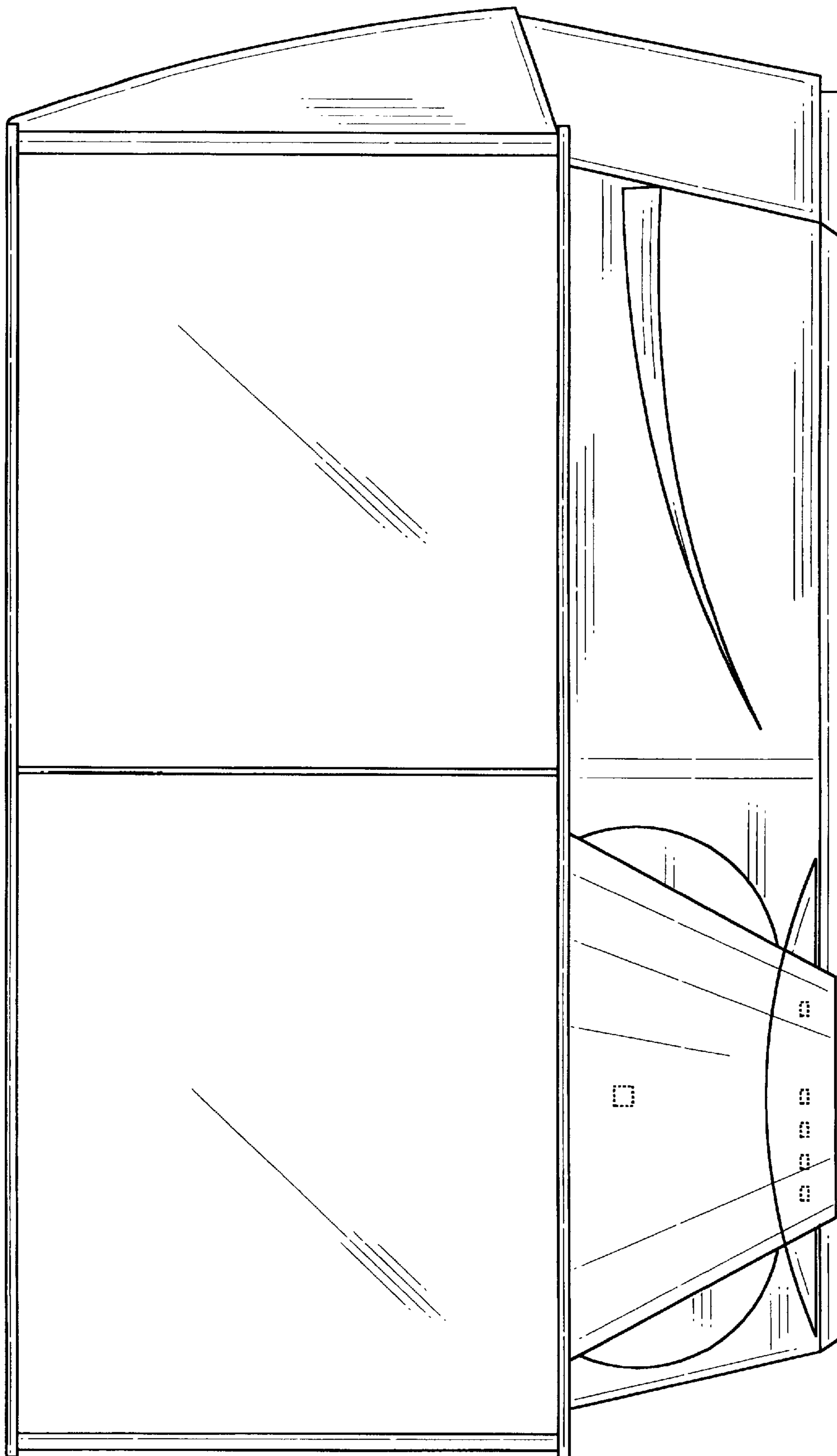


FIG. 3

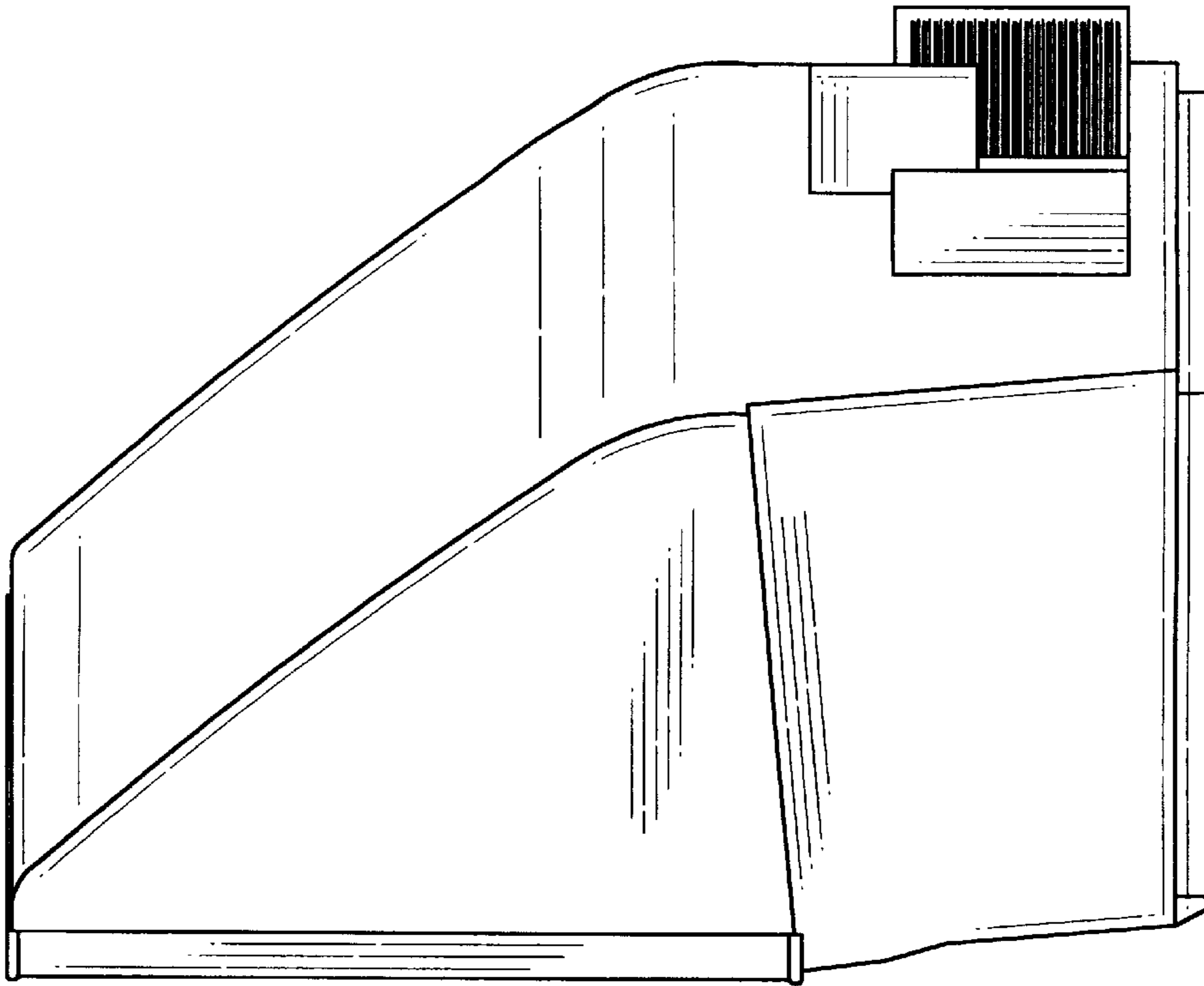


FIG. 7

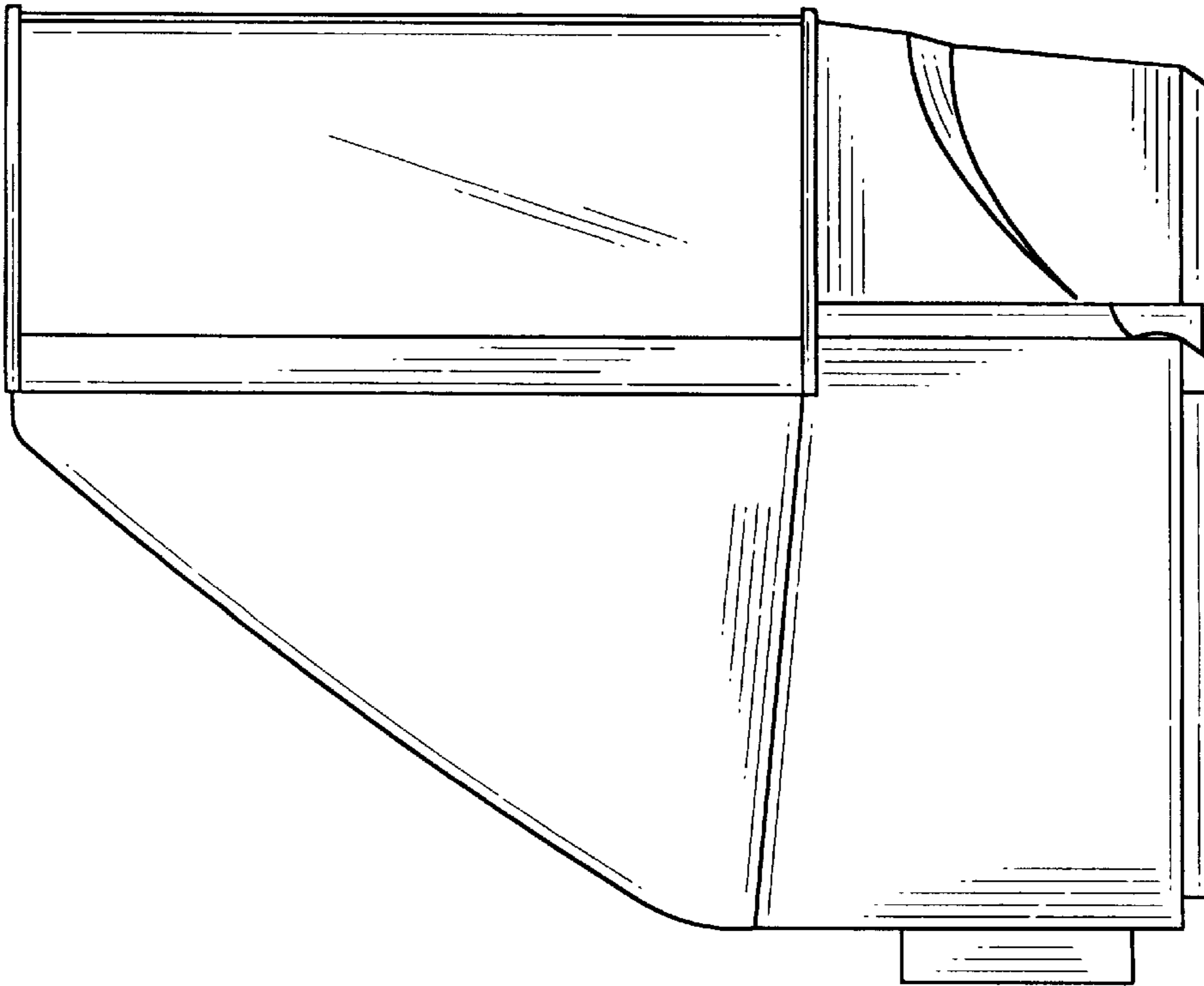


FIG. 4

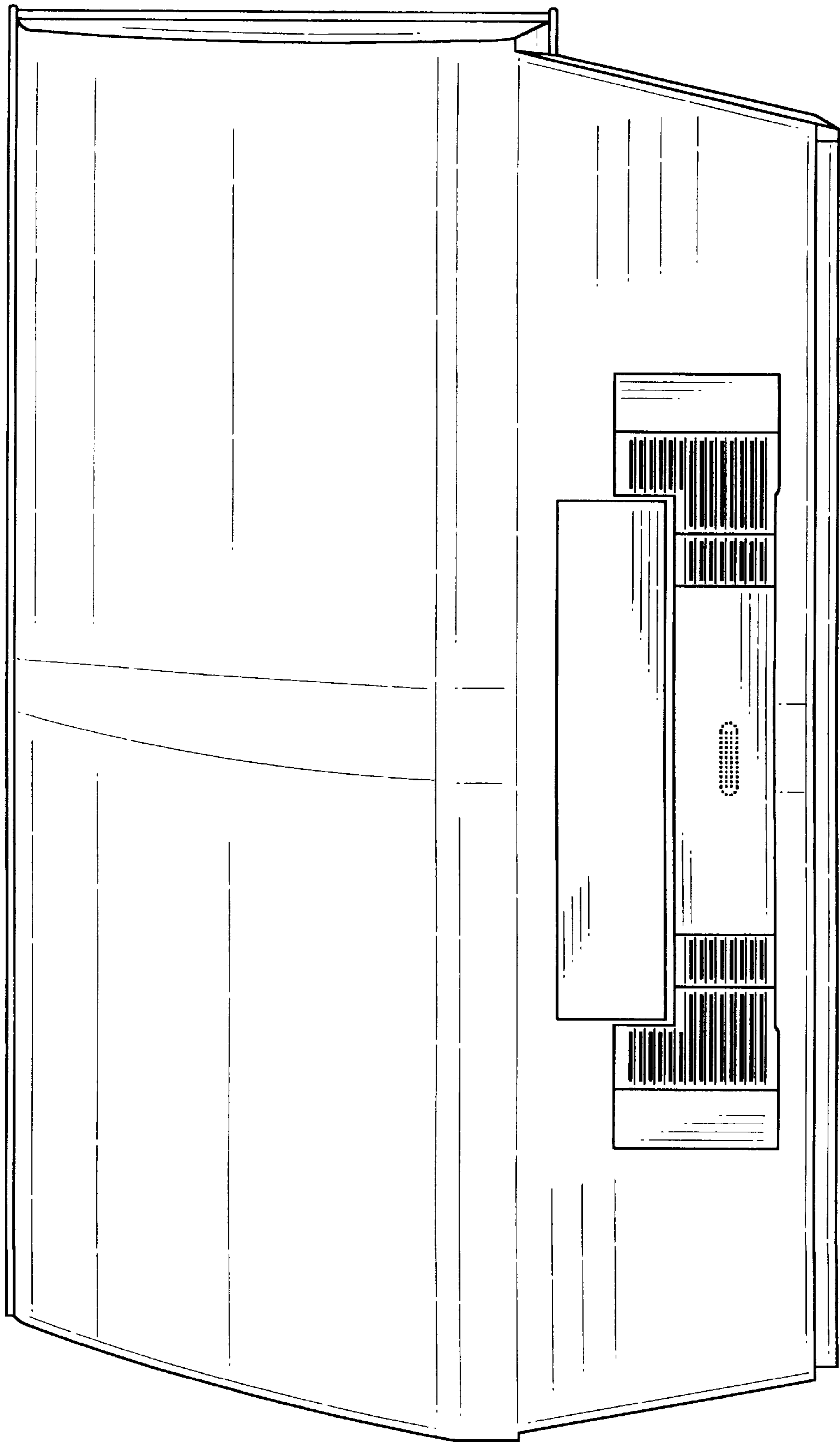


FIG. 5

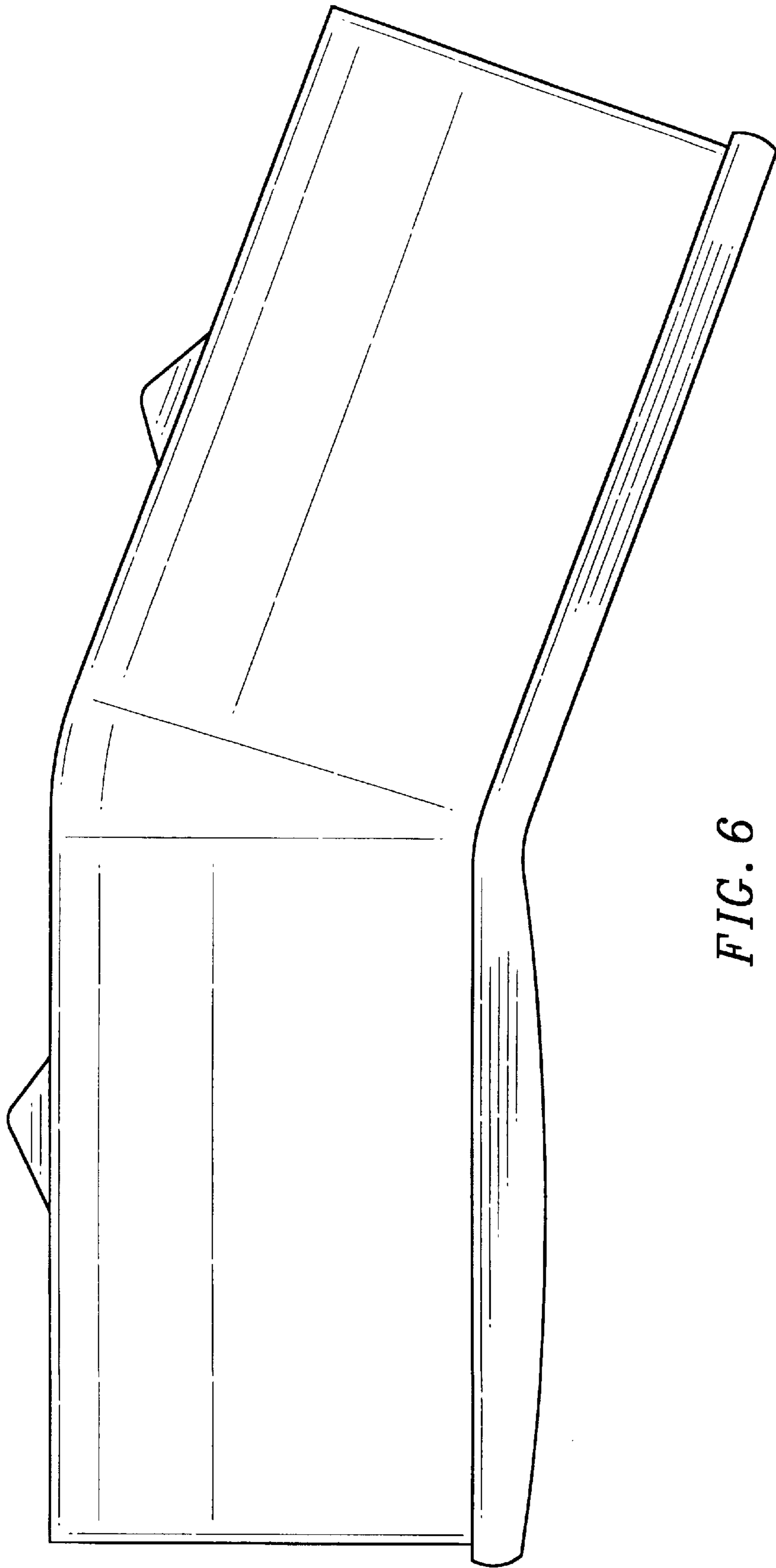


FIG. 6

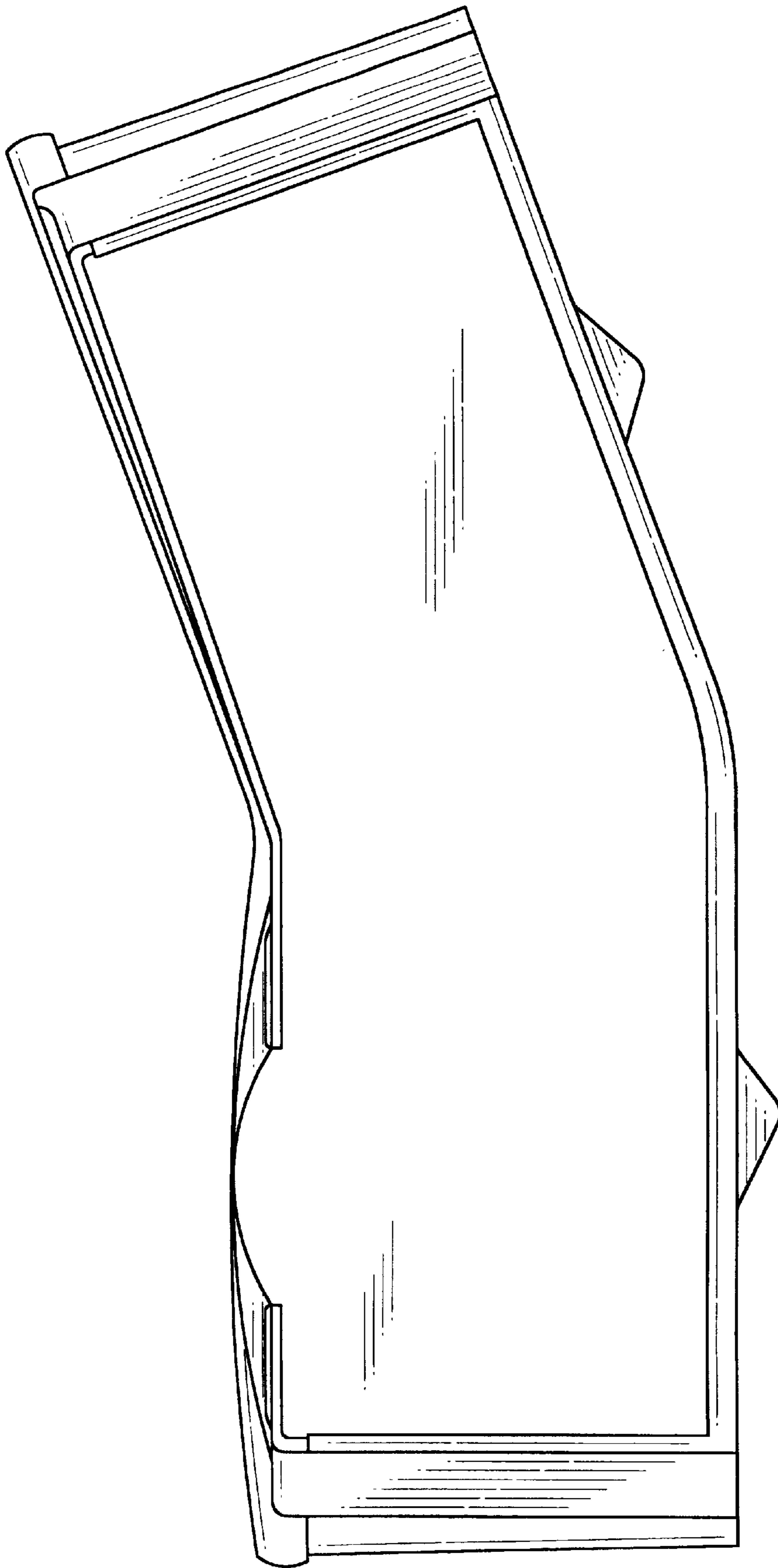


FIG. 8