



US00D436626S

(12) **United States Design Patent**  
**Wang**

(10) **Patent No.:** **US D436,626 S**

(45) **Date of Patent:** **\*\* Jan. 23, 2001**

(54) **PEN CASE**

(76) Inventor: **Shu-Fu Wang**, 4F., No. 4, Alley 21,  
Lane 106, Ming-Chueng E. Rd., Sec. 3,  
Taipei (TW)

(\*\*) Term: **14 Years**

(21) Appl. No.: **29/122,859**

(22) Filed: **May 3, 2000**

(51) **LOC (7) Cl.** ..... **19-06**

(52) **U.S. Cl.** ..... **D19/85; D19/77; D7/640**

(58) **Field of Search** ..... D7/640, 641; D3/306,  
D3/309, 206; D34/1; D32/55; D19/65, 75,  
77, 81-85, 95, 99, 100; 206/214, 224, 371;  
211/69.1-69.9, 10, 11, 50; 220/485, 495

(56) **References Cited**

**U.S. PATENT DOCUMENTS**

D. 267,332	*	12/1982	Pirovano et al.	.....	D19/85
D. 329,663	*	9/1992	Galante	.....	D19/78
D. 363,311	*	10/1995	Defiglio Jr.	.....	D19/77
D. 370,323	*	5/1996	Lafond	.....	D32/55
D. 401,067	*	11/1998	Hampshire	.....	D3/309
2,669,373	*	2/1954	Coit, Jr.	.....	220/485
5,487,466	*	1/1996	Robson	.....	206/214
5,816,416	*	10/1998	Tsai	.....	211/69.1

\* cited by examiner

*Primary Examiner*—Martie K. Holtje

(74) *Attorney, Agent, or Firm*—Dougherty & Troxell

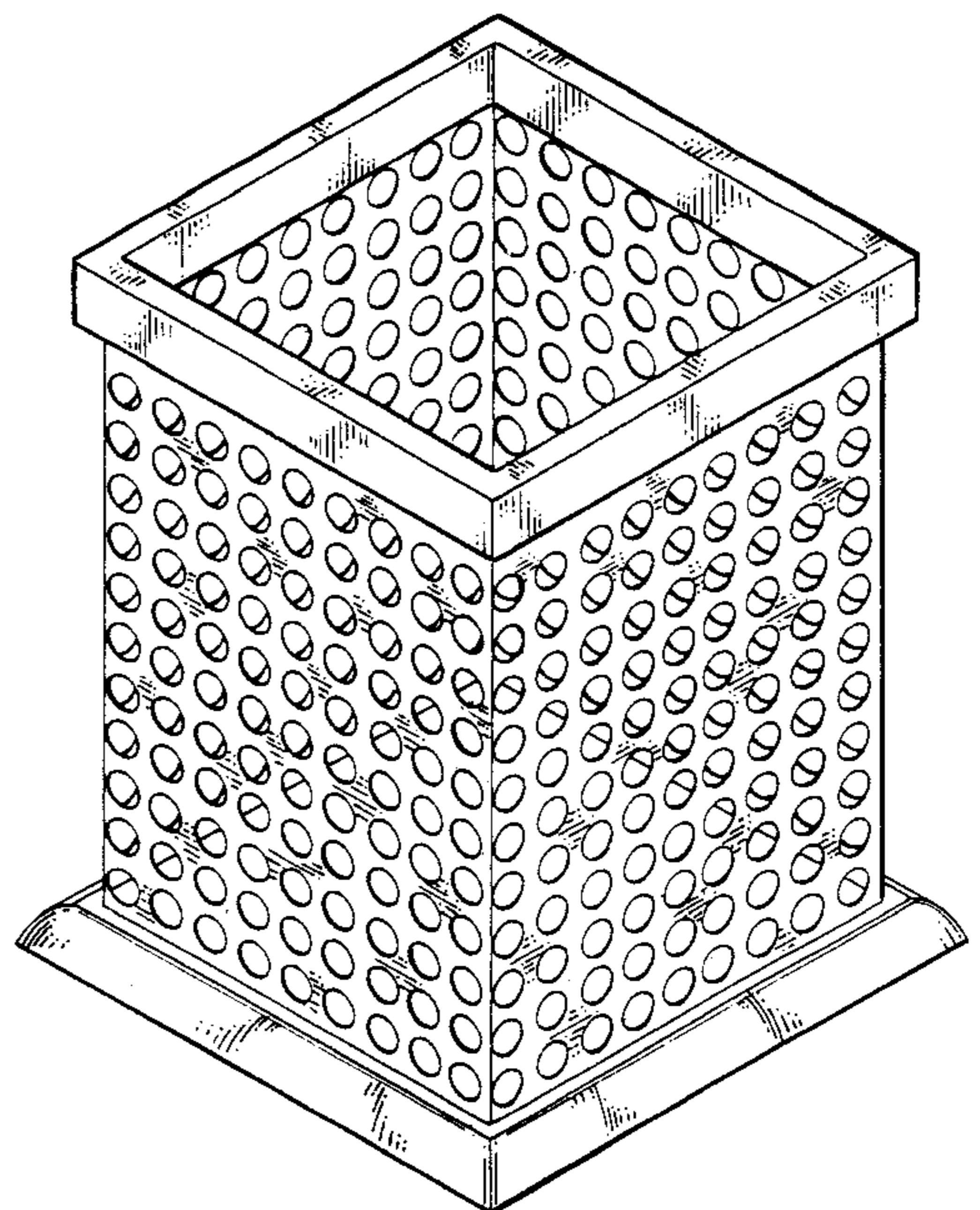
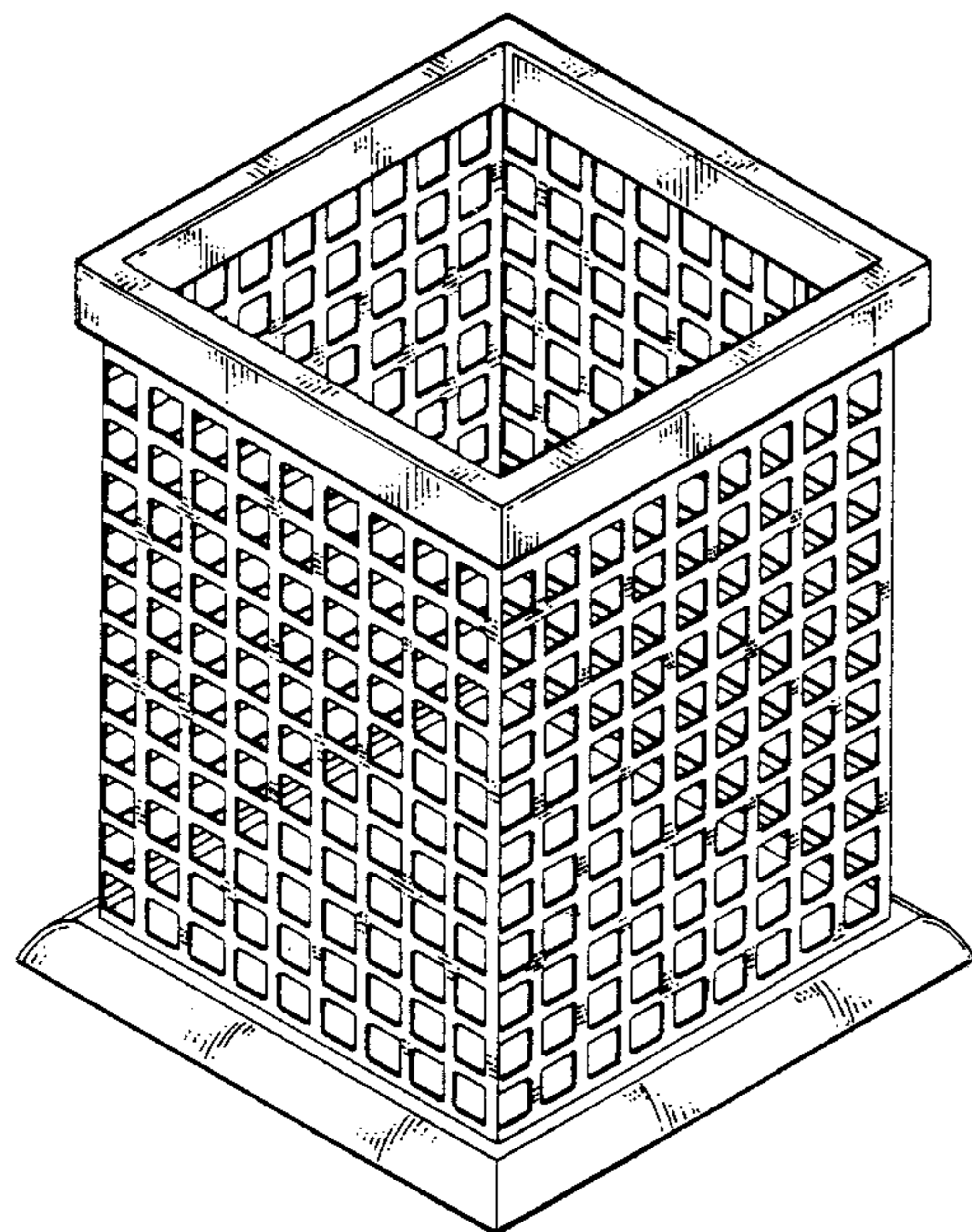
(57) **CLAIM**

The ornamental design for a pen case, as shown and described.

**DESCRIPTION**

FIG. 1 is a perspective view of a pen case showing the first embodiment of my new design;  
 FIG. 2 is a front elevational view of the first embodiment;  
 FIG. 3 is a rear elevational view of the first embodiment.;  
 FIG. 4 is a left side view of the first embodiment;  
 FIG. 5 is right side view of the first embodiment;  
 FIG. 6 is a top view of the first embodiment;  
 FIG. 7 is a bottom view of the first embodiment,  
 FIG. 8 is a perspective view of a pen case showing the second embodiment of my new design;  
 FIG. 9 is a front elevational view of the second embodiment;  
 FIG. 10 is a rear elevational view of the second embodi-  
 ment.;  
 FIG. 11 is a left side view of the second embodiment;  
 FIG. 12 is a right side view of the second embodiment;  
 FIG. 13 is a top view of the second embodiment; and,  
 FIG. 14 is a bottom view of the second embodiment.

**1 Claim, 8 Drawing Sheets**



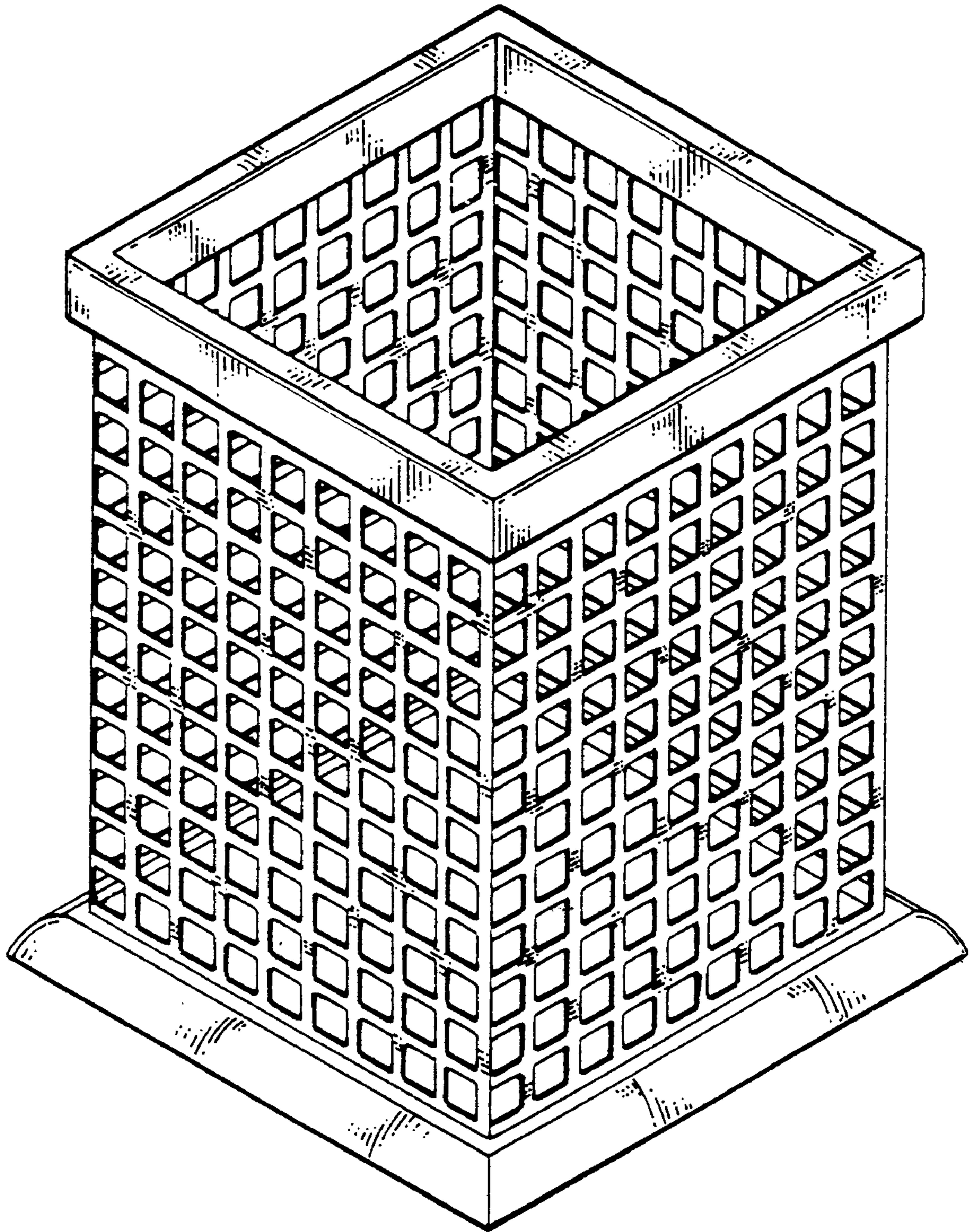


Fig. 1

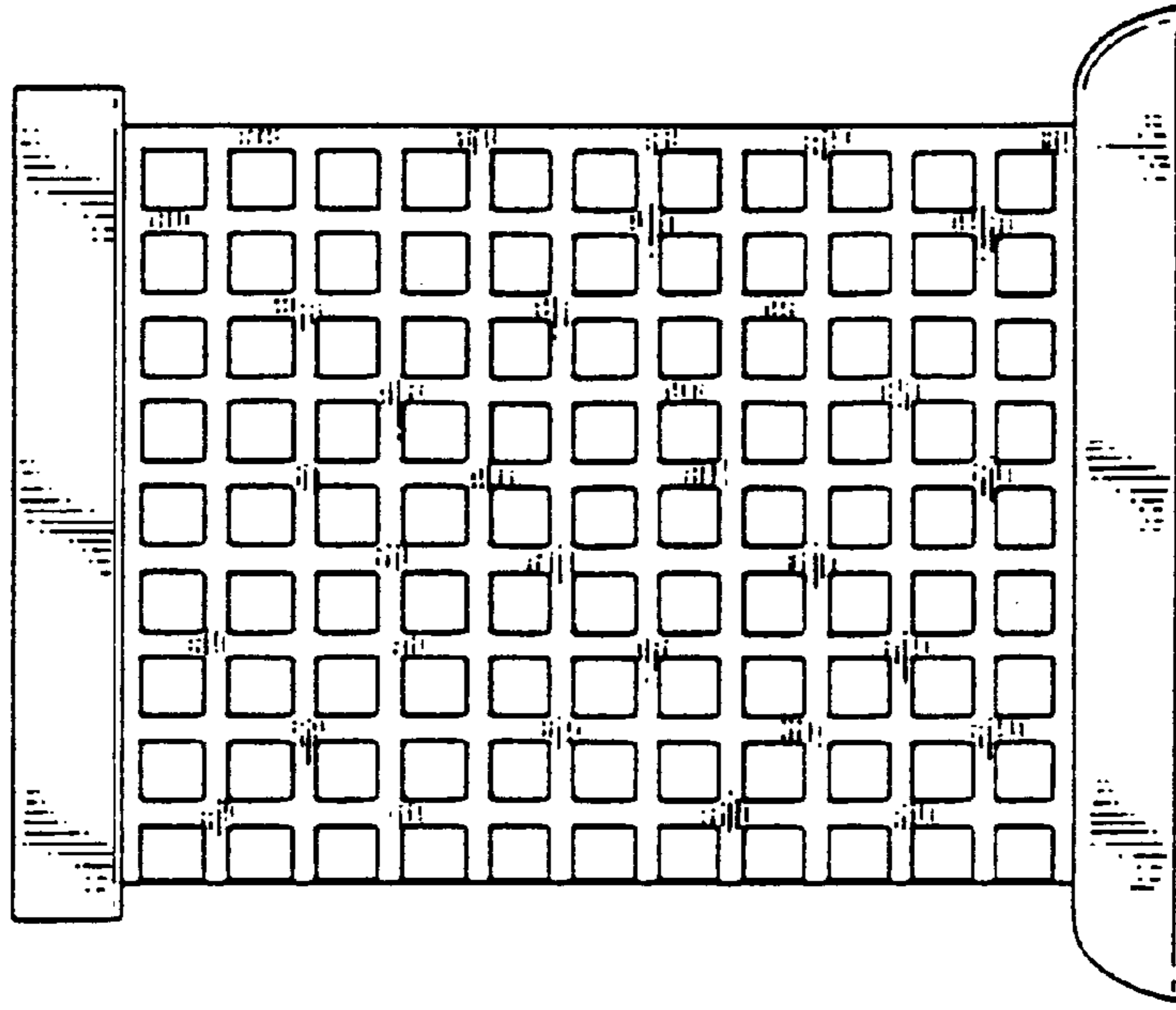


Fig. 3

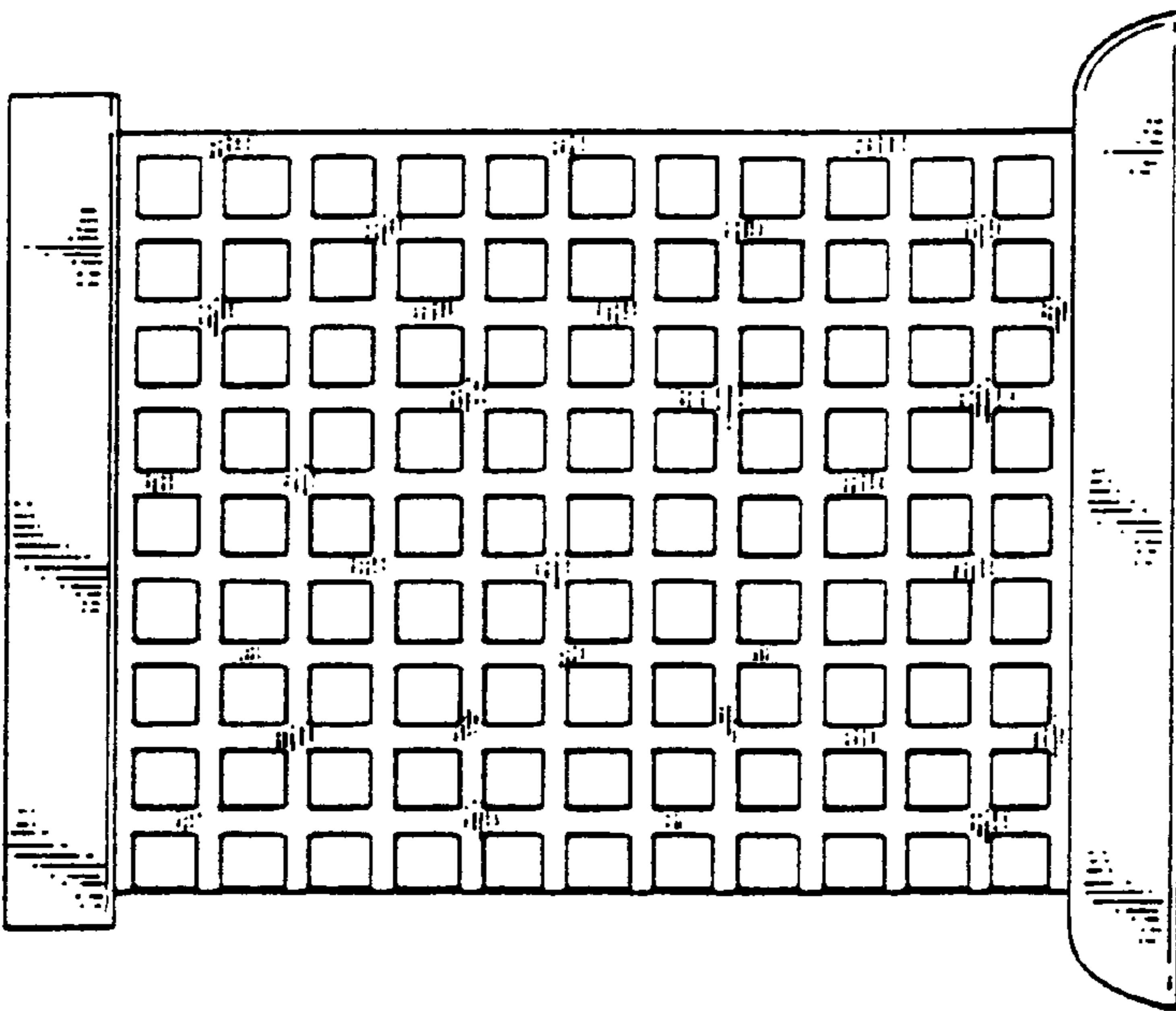


Fig. 2

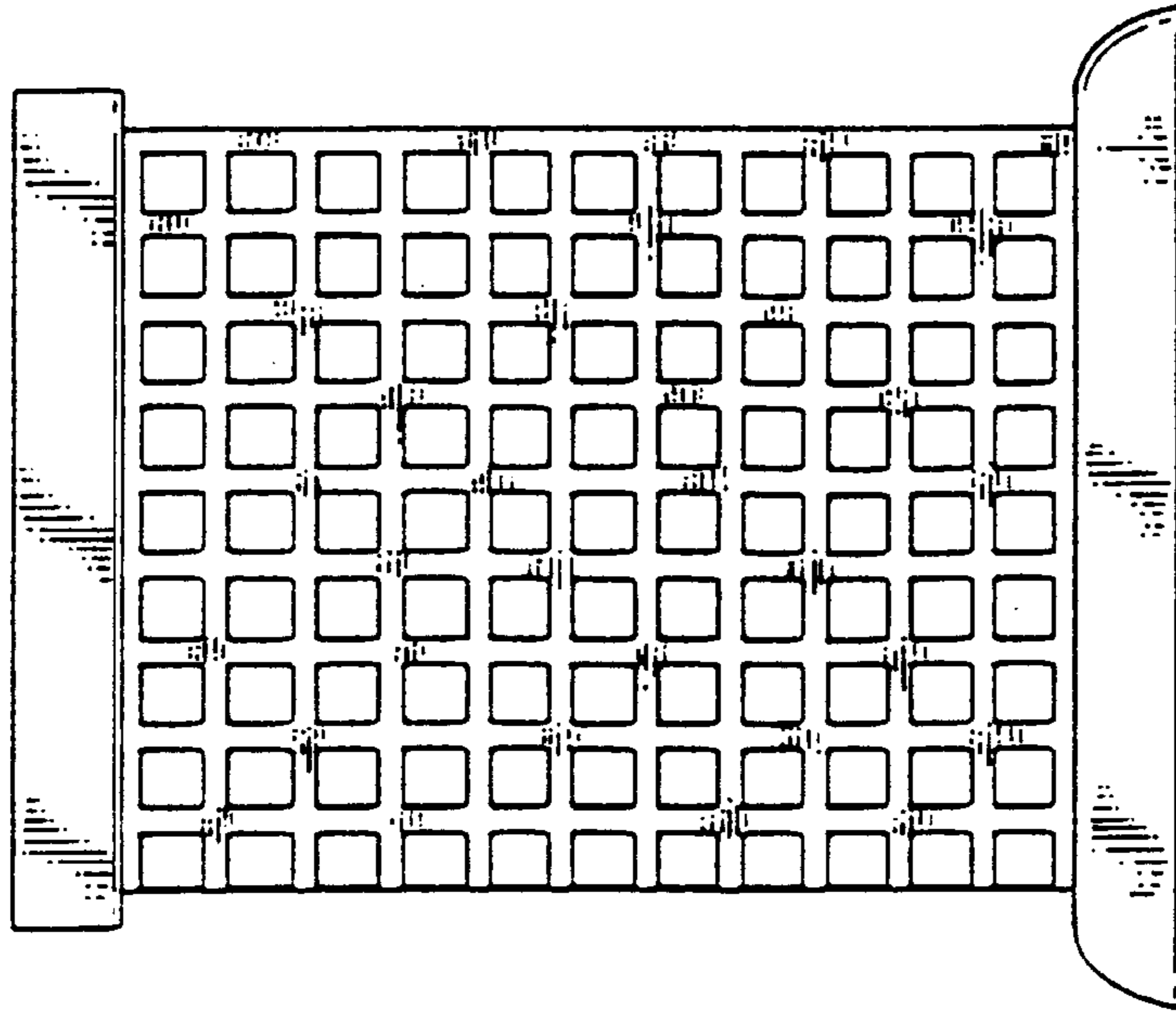


Fig. 4

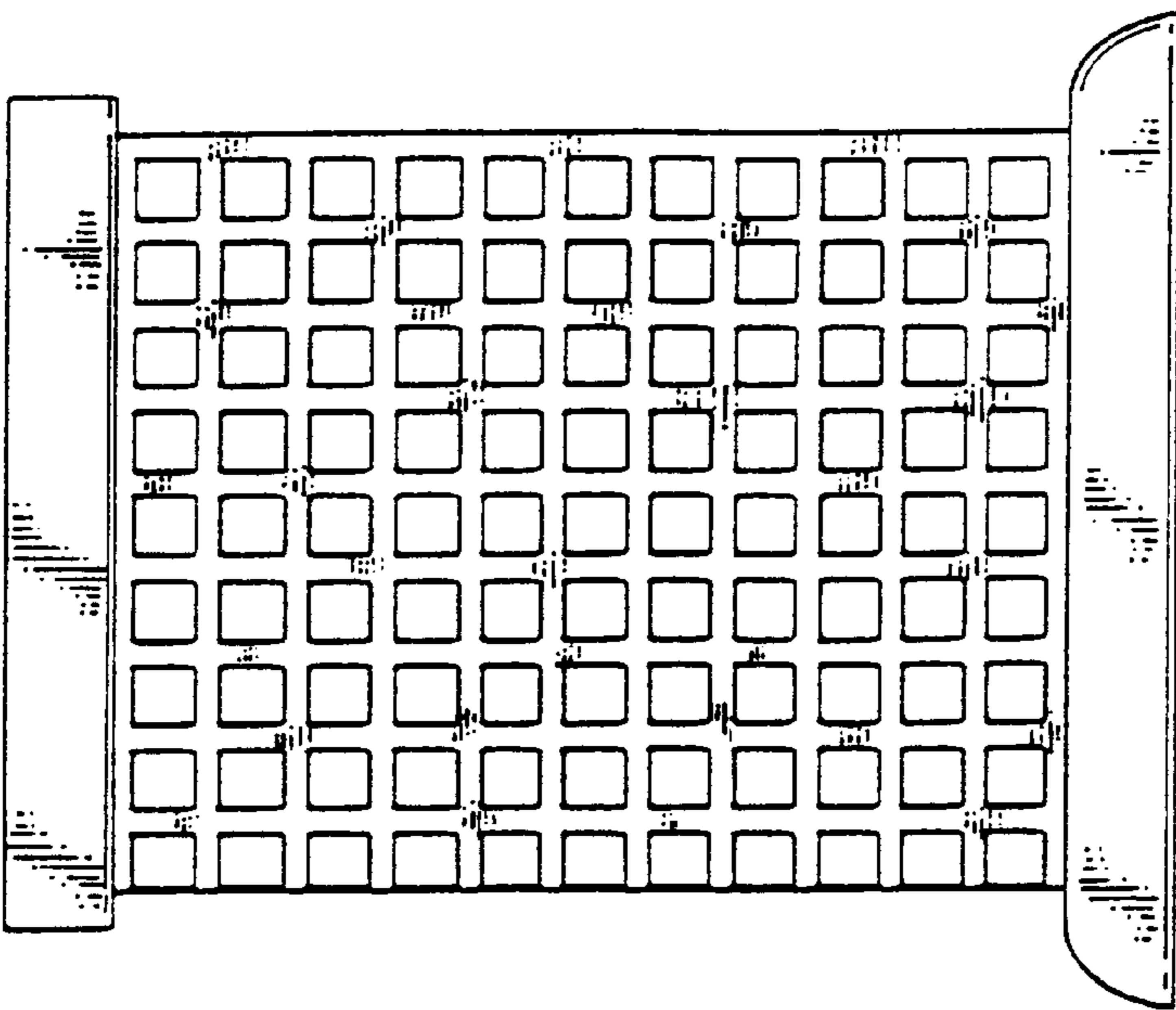


Fig. 5

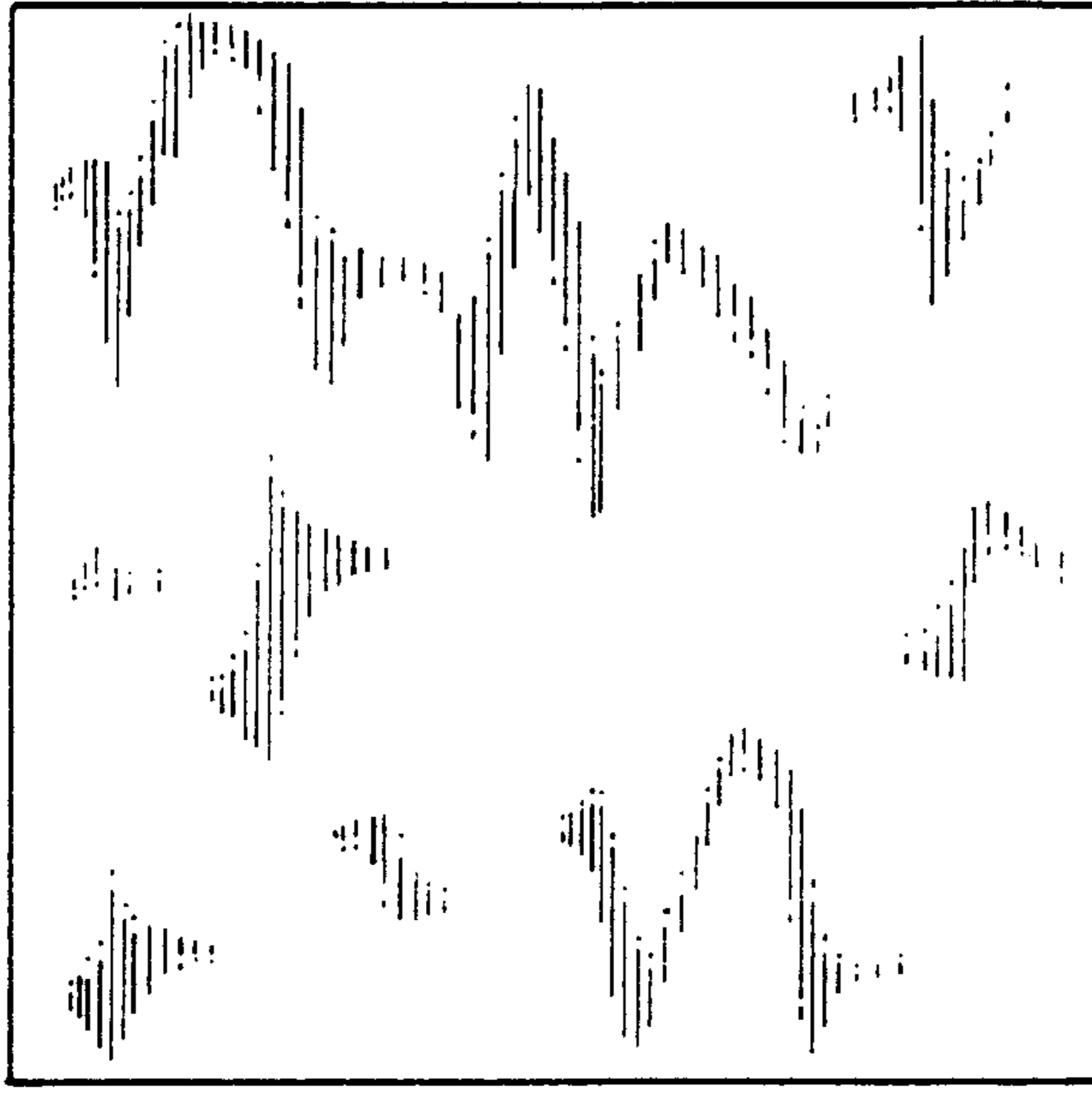


Fig. 7

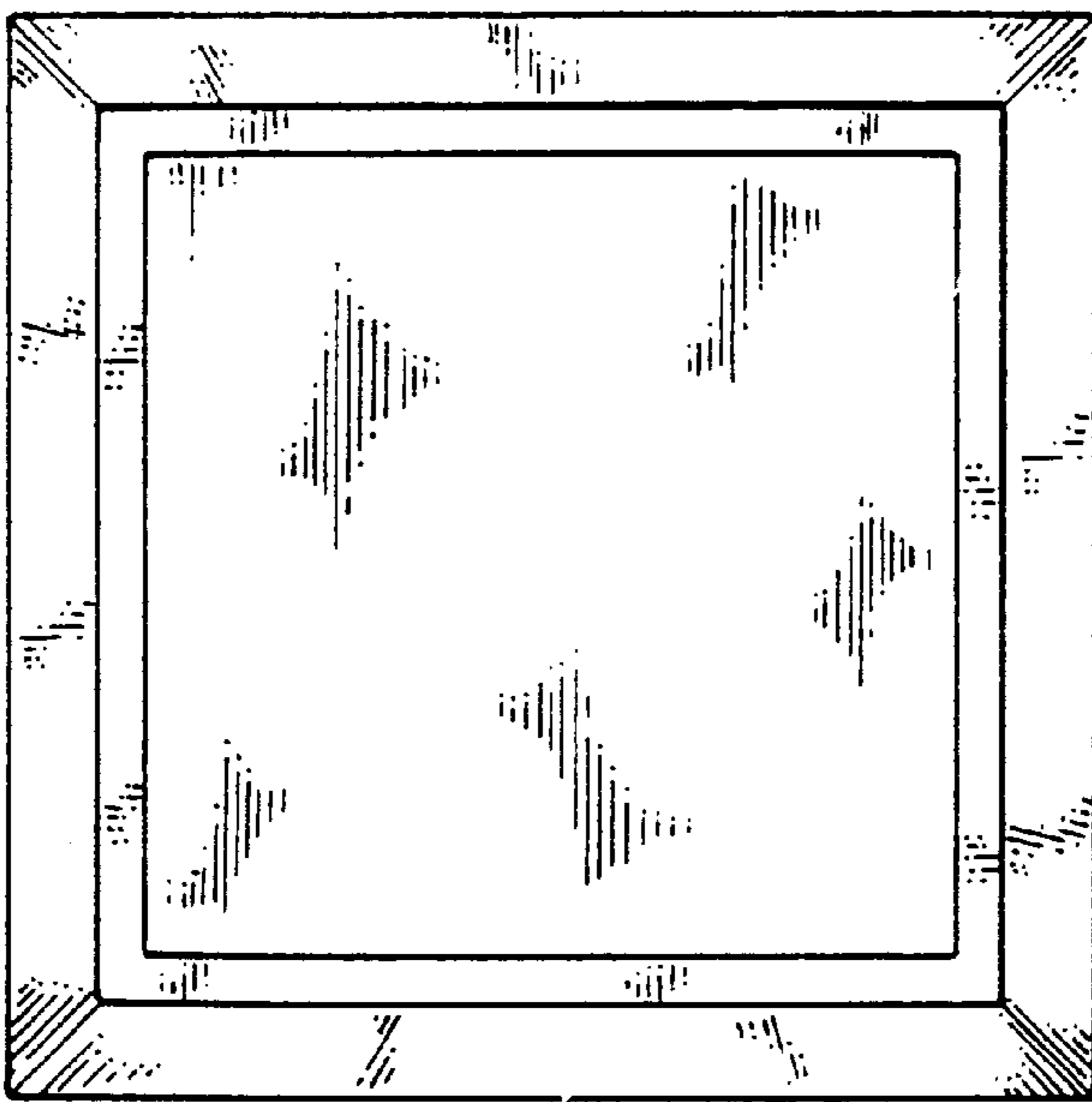


Fig. 6

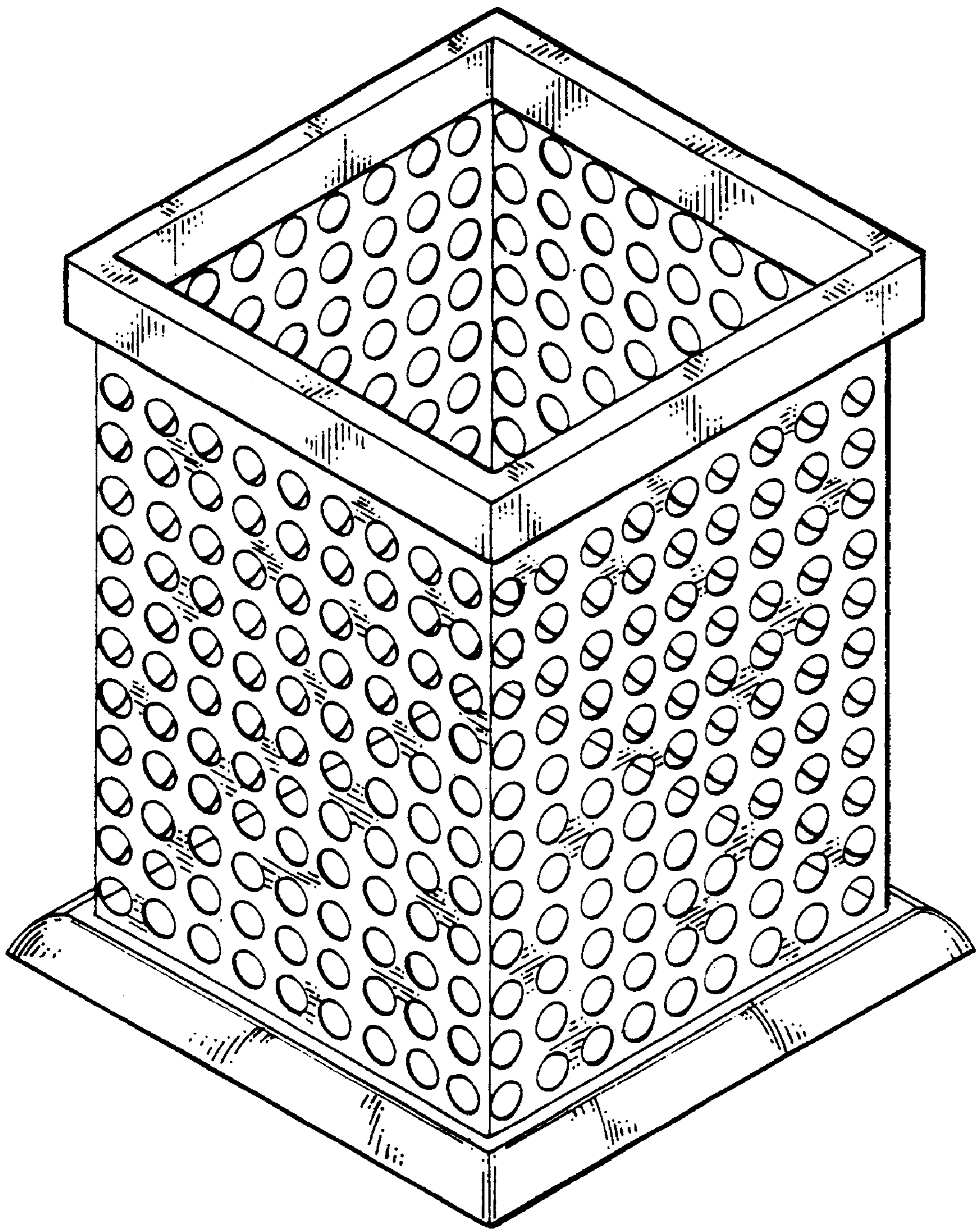


Fig. 8

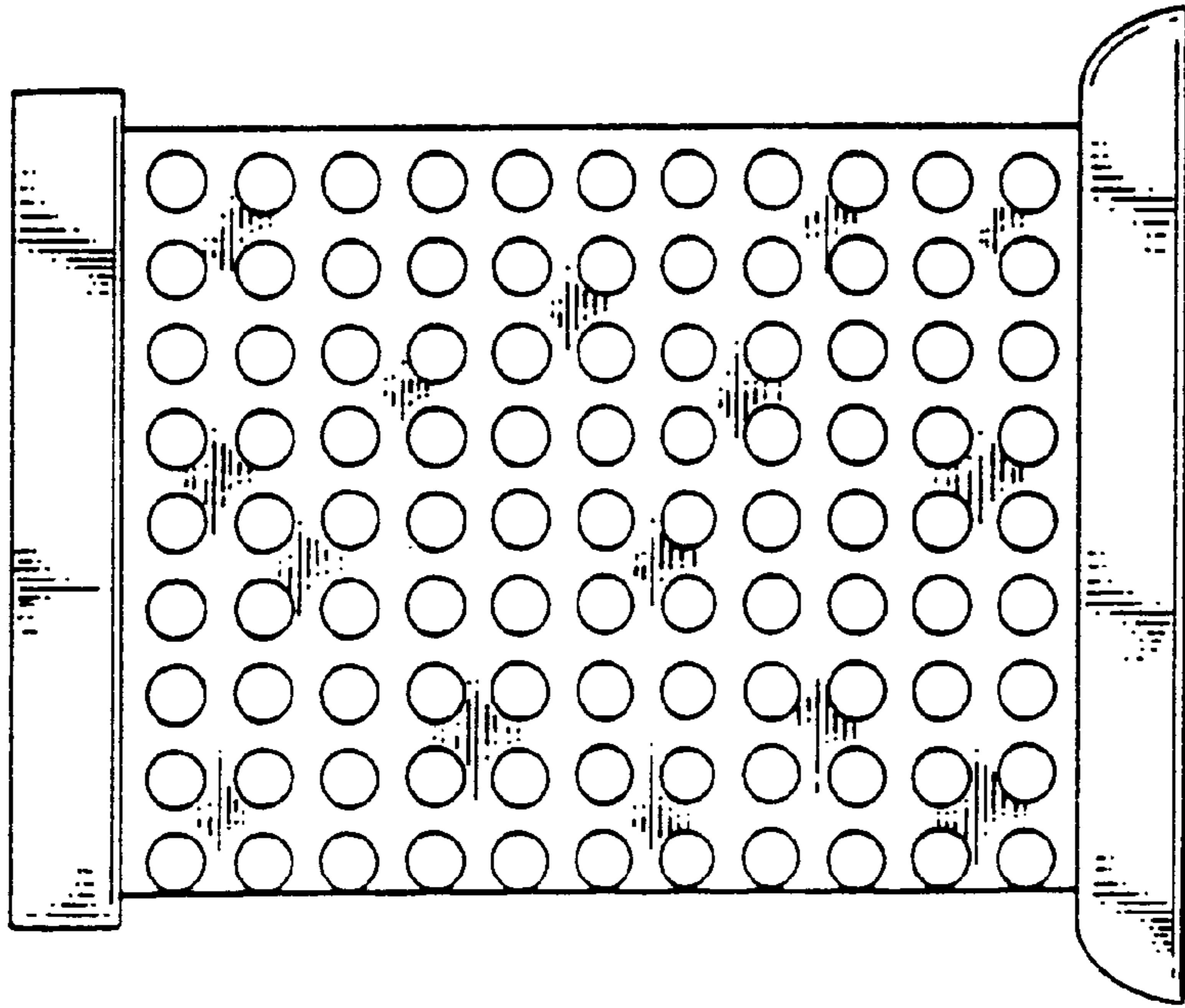


Fig. 9

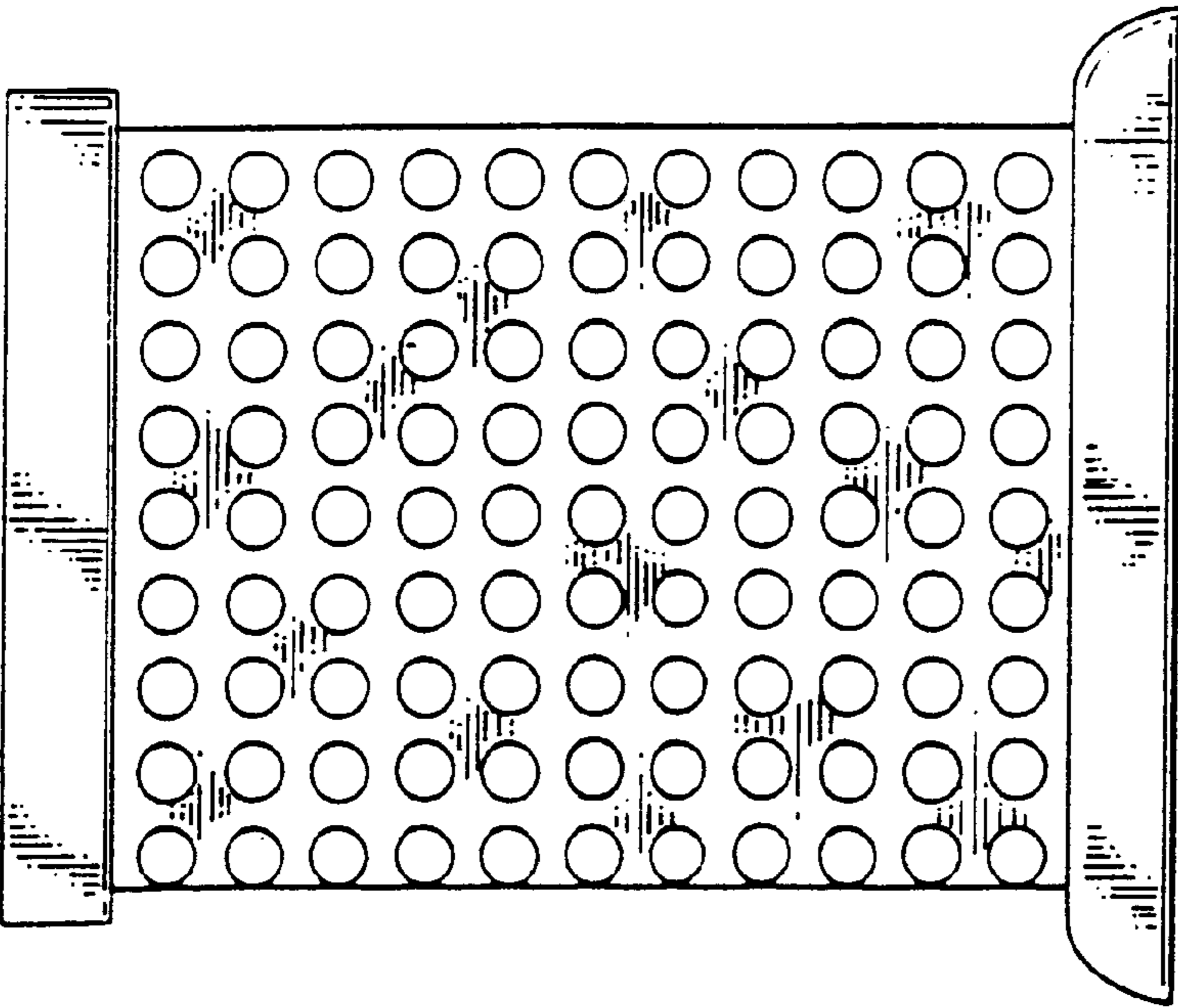


Fig. 10

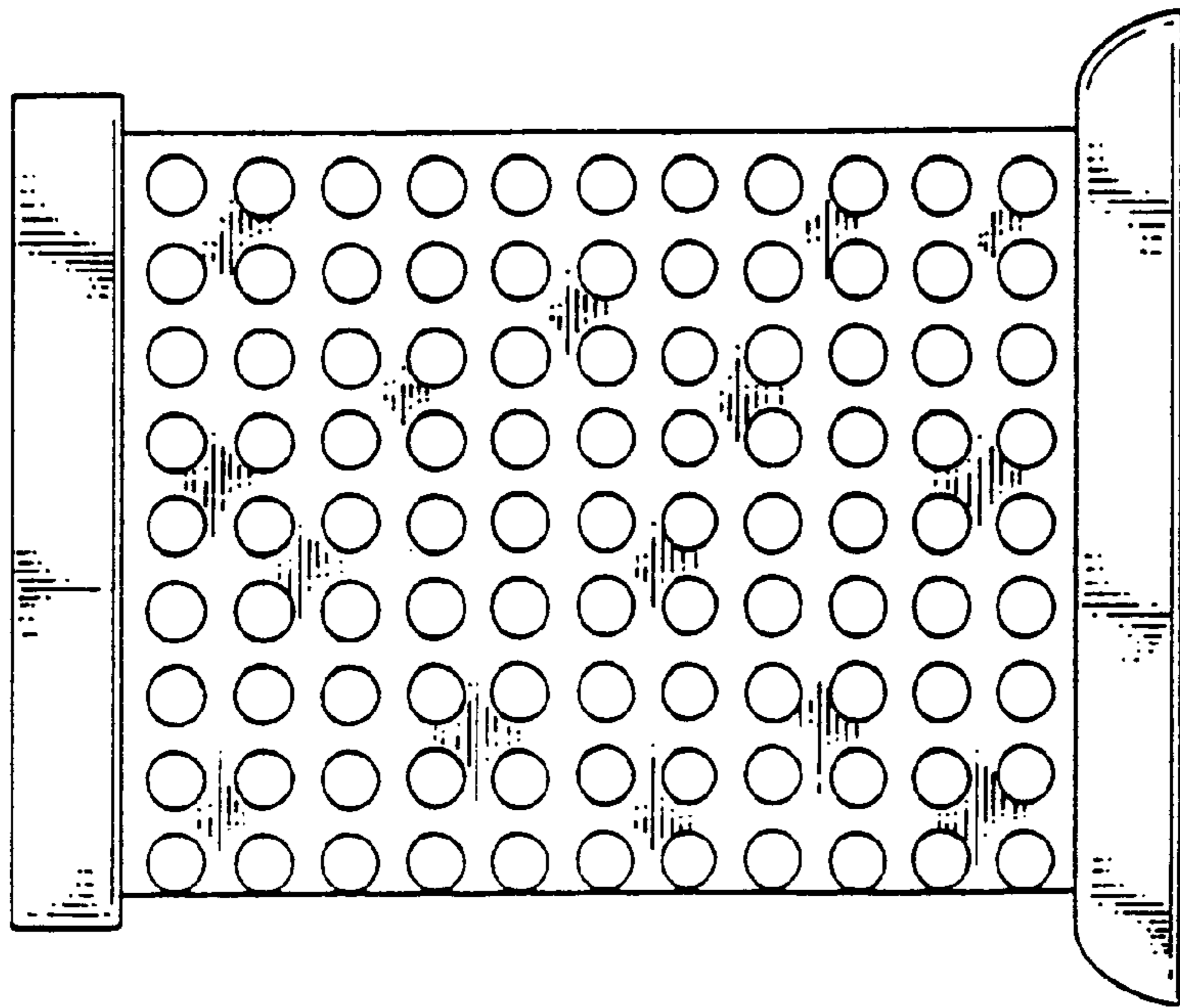


Fig. 11

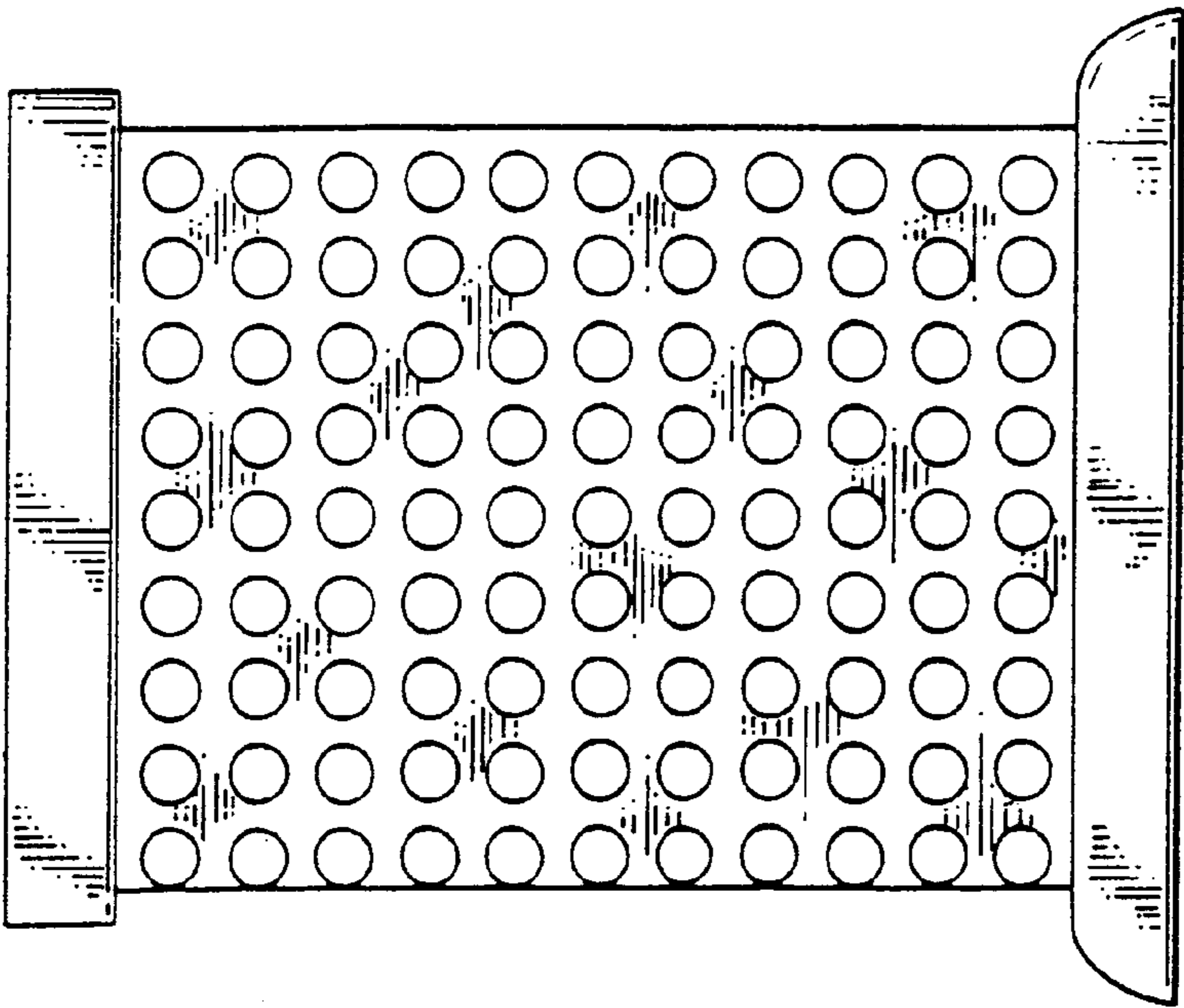


Fig. 12



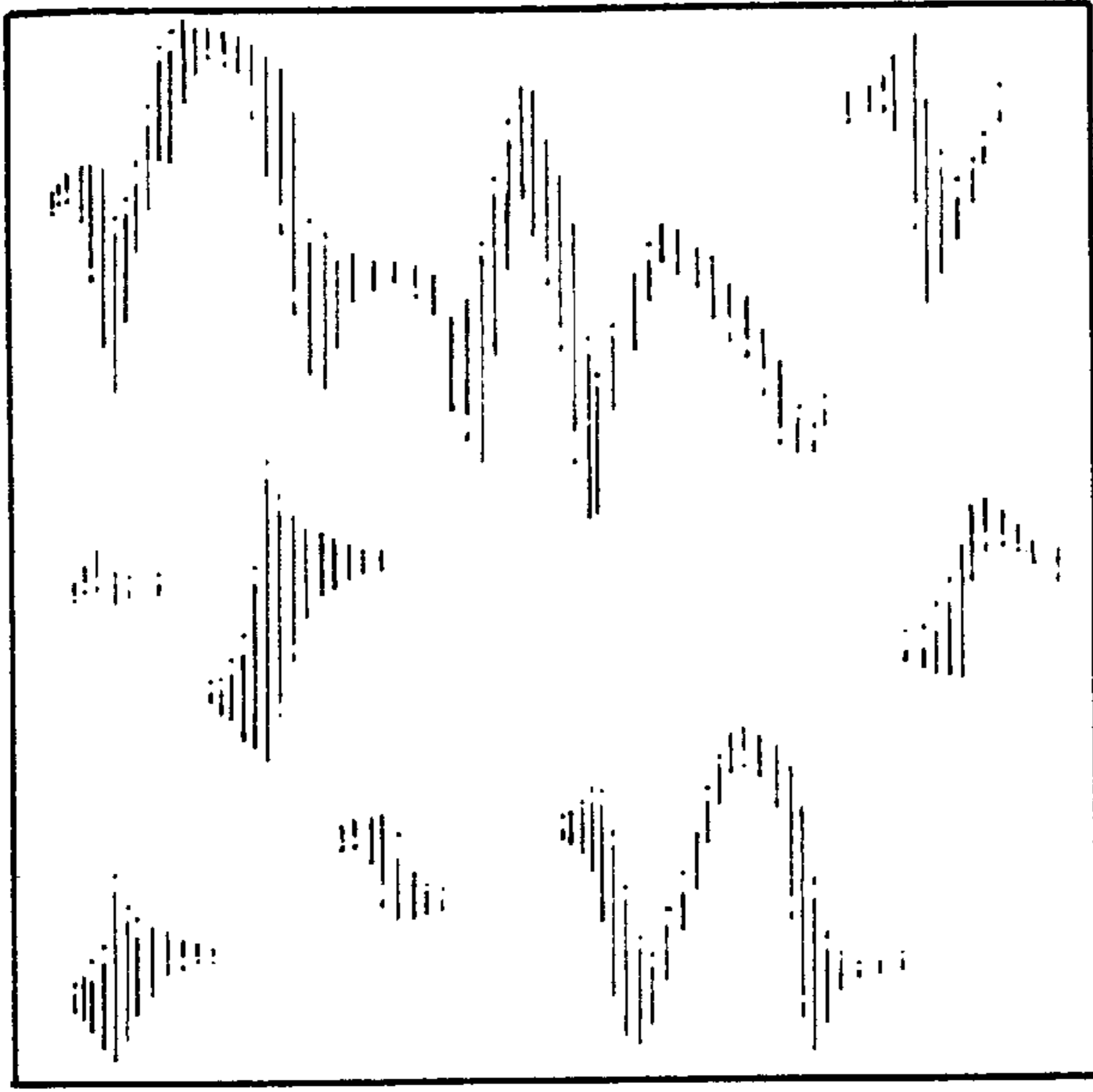


Fig. 14

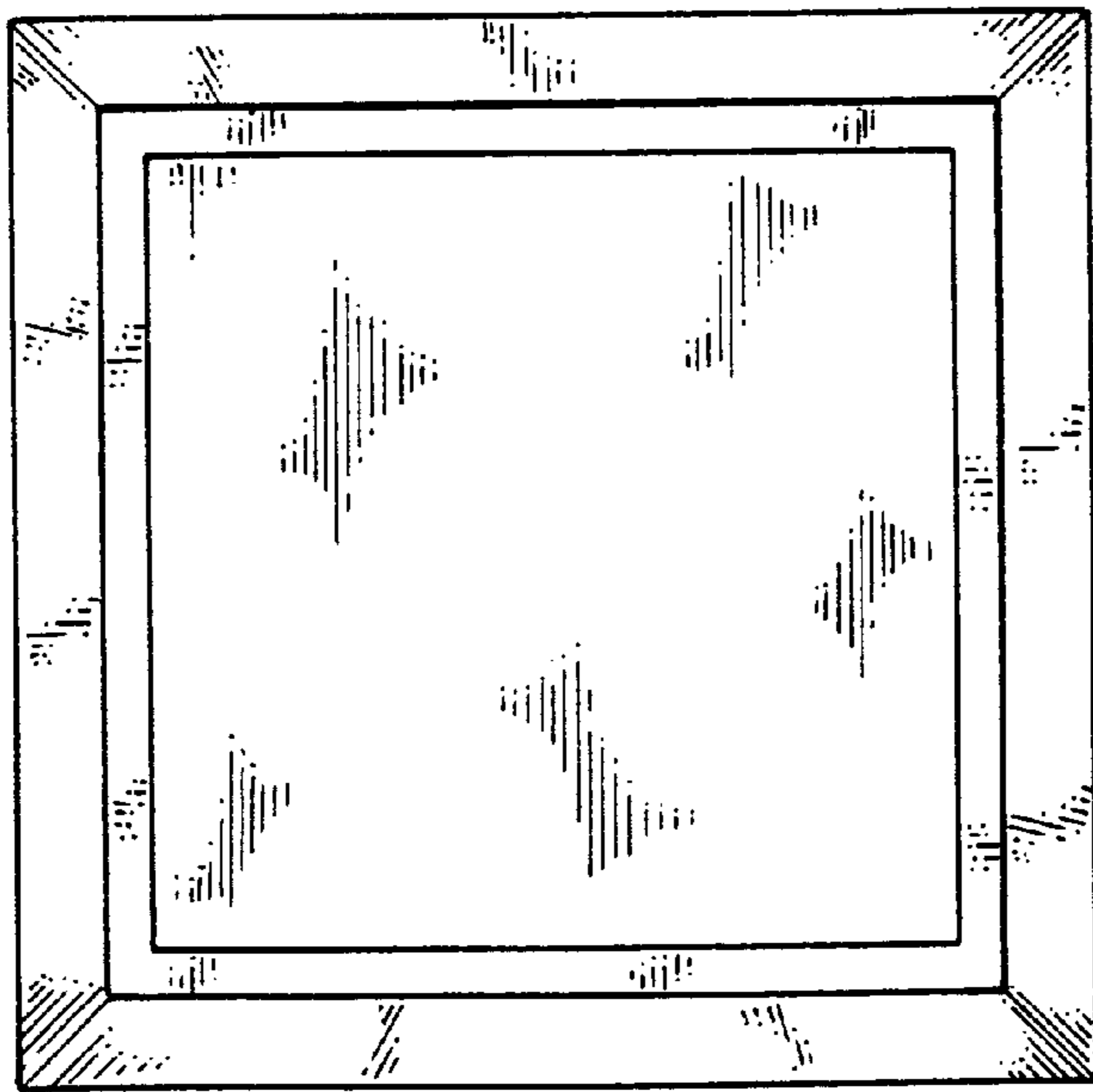


Fig. 13