



US00D436625S

(12) **United States Design Patent**
Katami

(10) **Patent No.:** **US D436,625 S**

(45) **Date of Patent:** **** Jan. 23, 2001**

(54) **CORRECTION TAPE DISPENSER**

(75) **Inventor:** **Kazunori Katami, Tsurugashima (JP)**

(73) **Assignee:** **Tombow Pencil Co., Ltd., Tokyo (JP)**

(**) **Term:** **14 Years**

(21) **Appl. No.:** **29/118,803**

(22) **Filed:** **Feb. 16, 2000**

Related U.S. Application Data

(62) Division of application No. 29/089,426, filed on Jun. 15, 1998, now Pat. No. Des. 424,619.

(51) **LOC (7) Cl.** **19-02**

(52) **U.S. Cl.** **D19/69; D19/67**

(58) **Field of Search** D19/65, 67-69,
D19/99, 100; 206/389, 395, 396, 397, 398,
411, 415; 225/6, 7, 9, 25, 34-36, 45-46,
56, 65, 77, 89; 156/327, 527, 540, 577,
576, 523; 242/588, 588.1-588.6

(56) **References Cited**

U.S. PATENT DOCUMENTS

- D. 355,934 * 2/1995 Oga et al. D19/69
- D. 369,385 * 4/1996 Lapointe D19/69
- D. 420,389 * 2/2000 Shimizu D19/69

- D. 421,059 * 2/2000 Shimizu D19/69
- D. 424,619 * 5/2000 Katami D19/69
- 5,670,014 * 9/1997 Mendelovich et al. 156/523
- 5,772,840 * 6/1998 Morinaga 156/540
- 5,851,347 * 12/1998 Rodriguez 156/576

* cited by examiner

Primary Examiner—Martie K. Holtje

(74) *Attorney, Agent, or Firm*—Garrison, Morris, Haight & Morrow, PLLC

(57) **CLAIM**

The ornamental design for a correction tape dispenser, as shown and described.

DESCRIPTION

This file is related to co-pending and currently filed U.S. patent application No. 29/118,798, entitled "Correction Tape Dispenser".

FIG. 1 is a perspective view of a correction tape dispenser showing my new design;

FIG. 2 is a left-side view thereof;

FIG. 3 is a right-side view thereof;

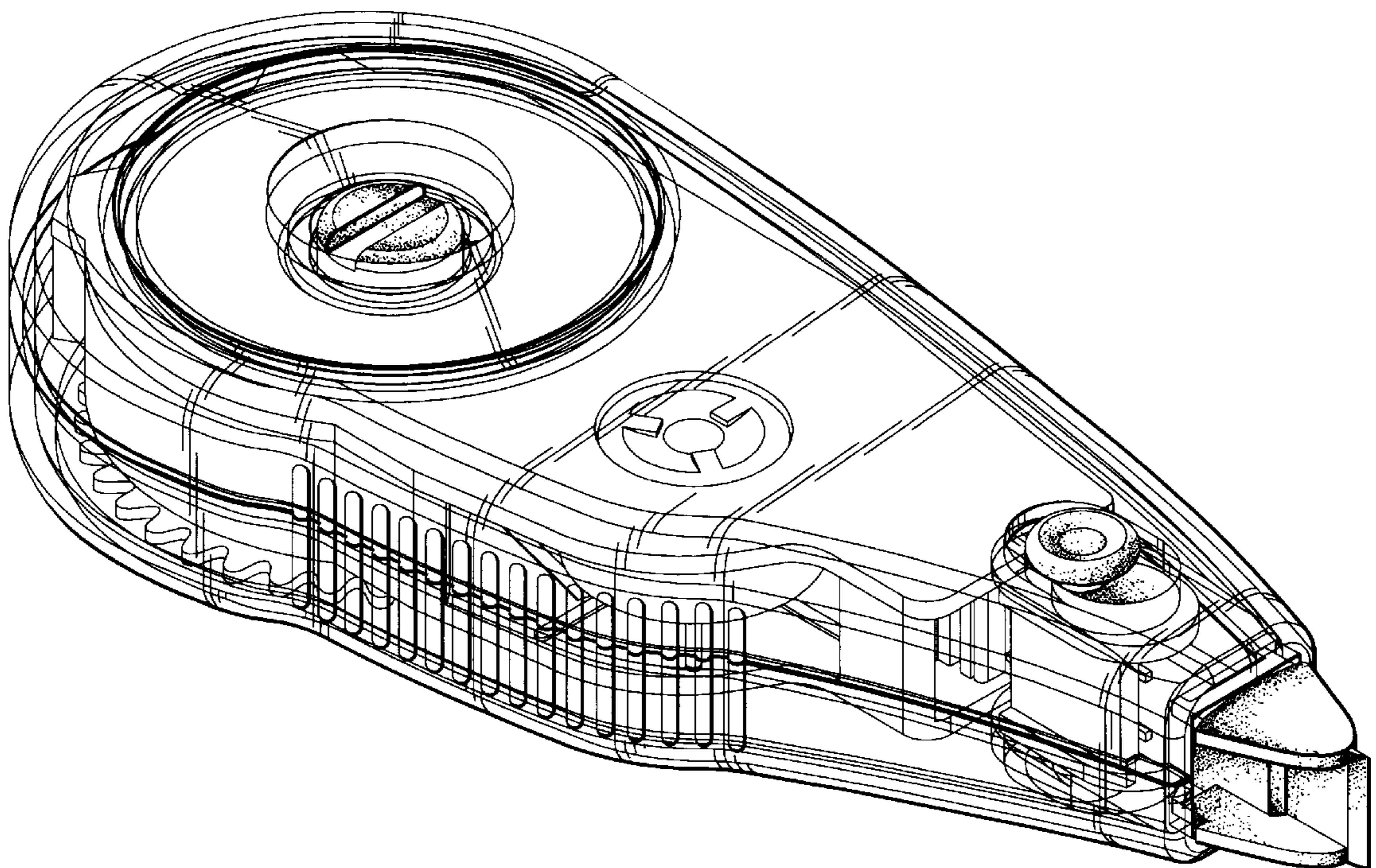
FIG. 4 is a top view thereof;

FIG. 5 is a bottom view thereof;

FIG. 6 is a front view thereof; and,

FIG. 7 is a rear view thereof.

1 Claim, 5 Drawing Sheets



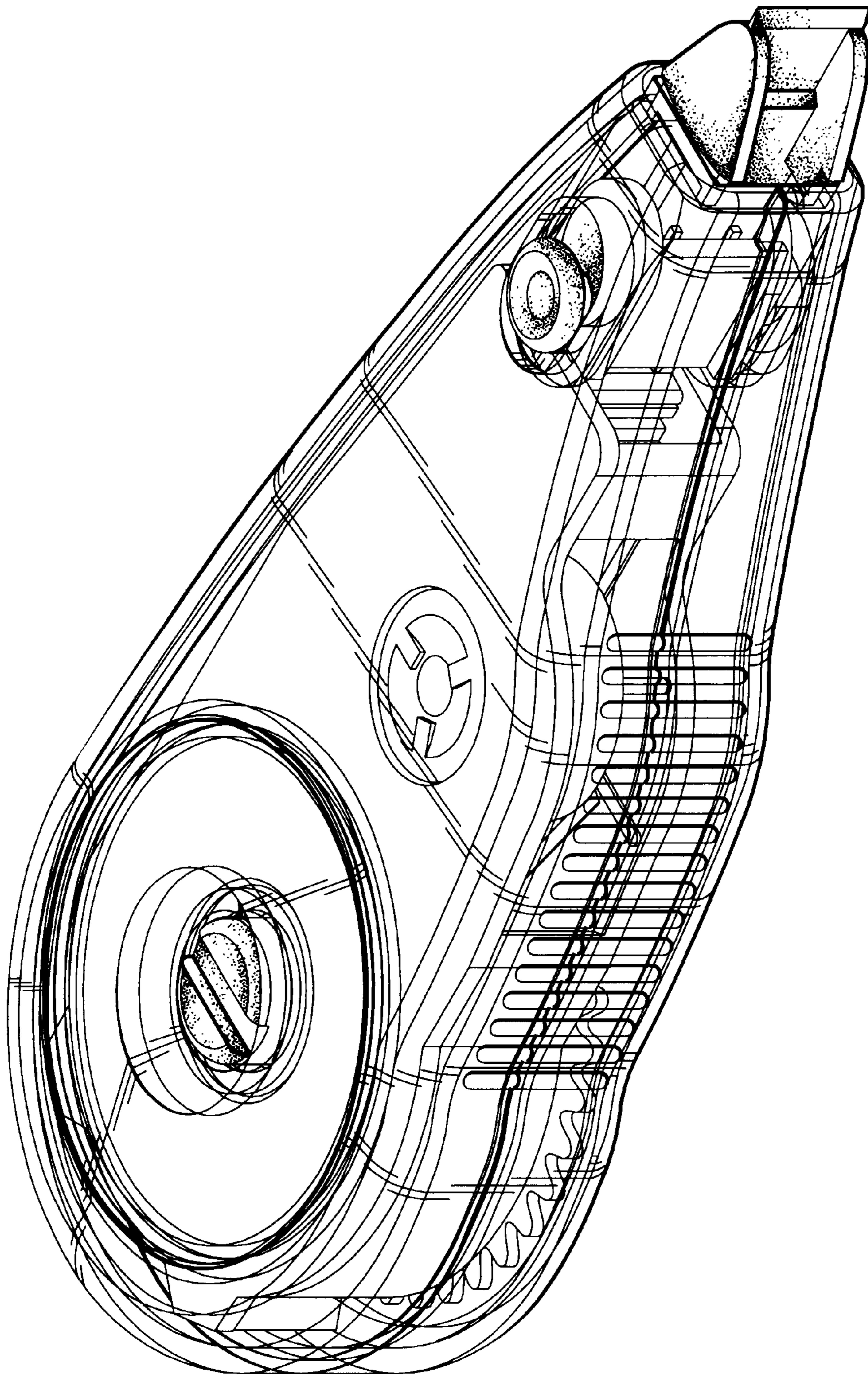


FIG 1

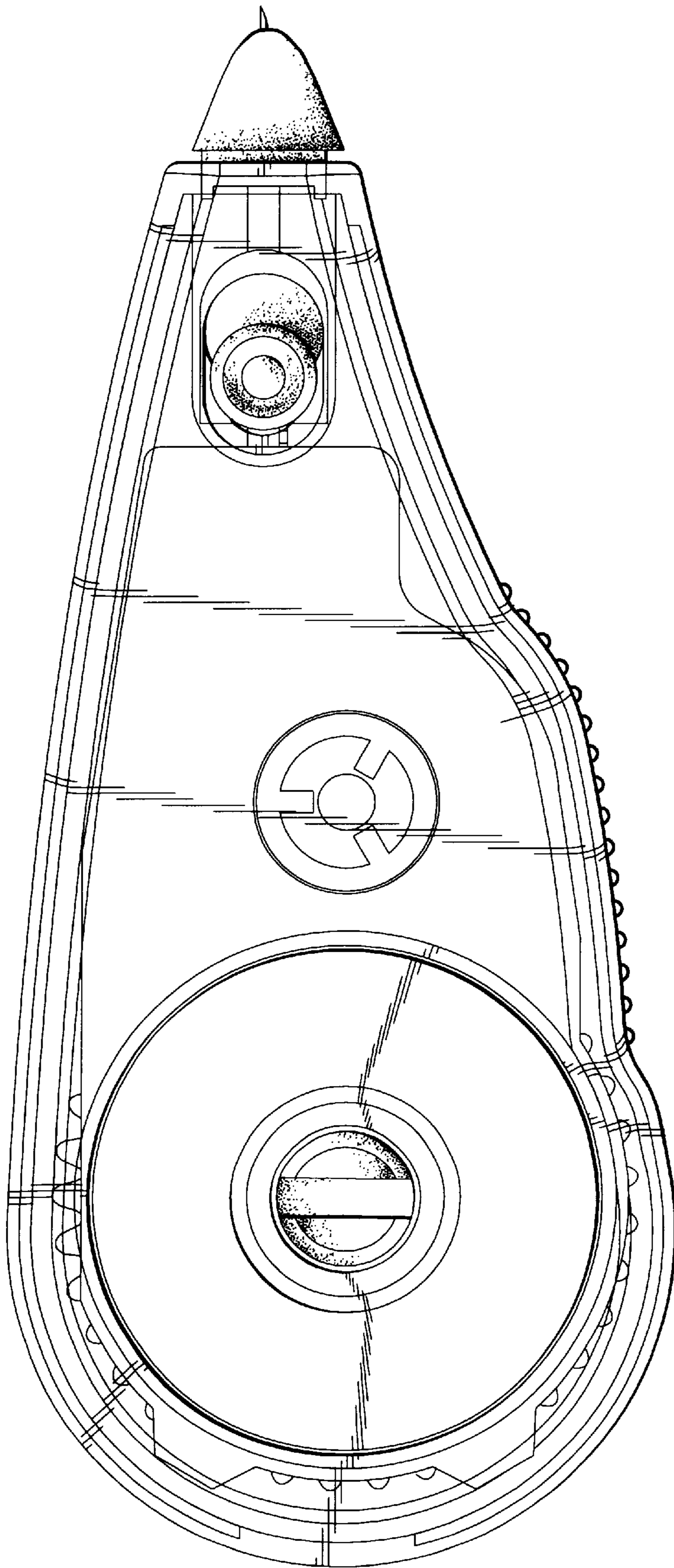


FIG 2

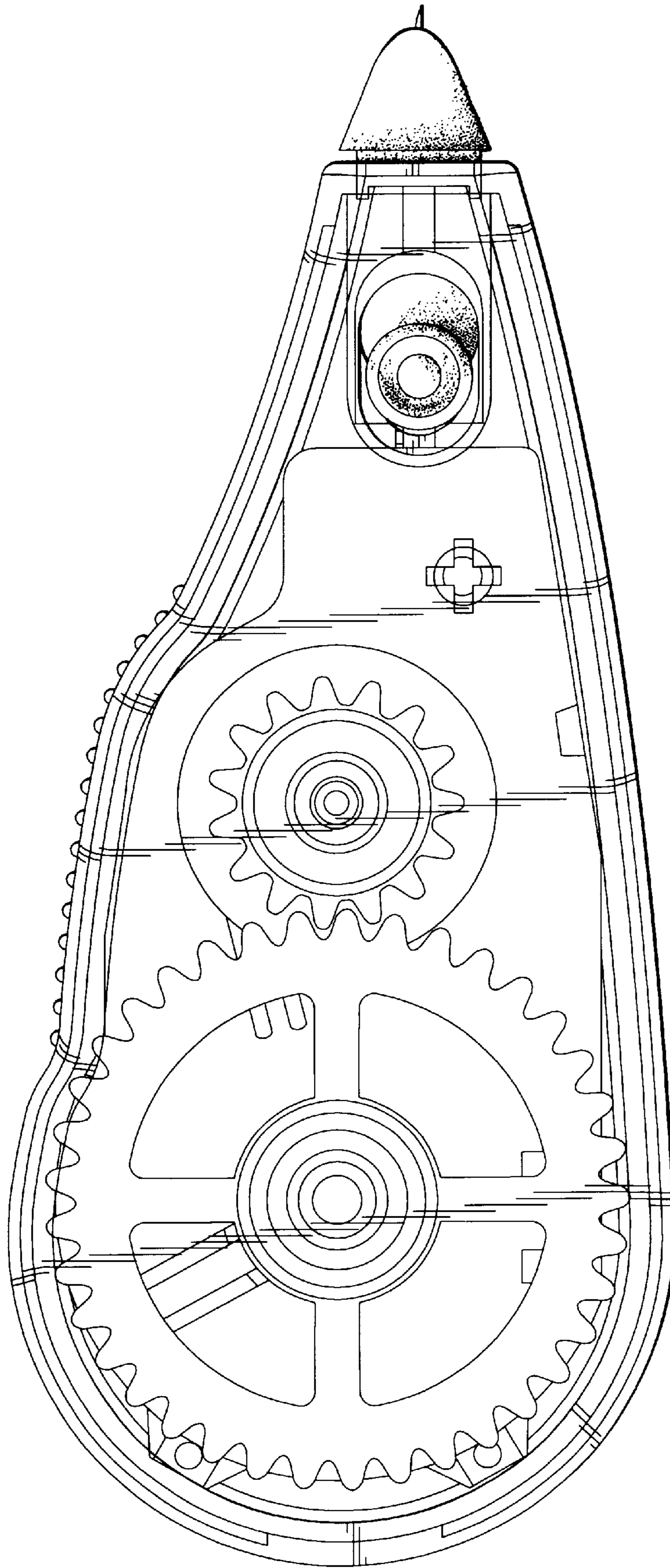


FIG 3

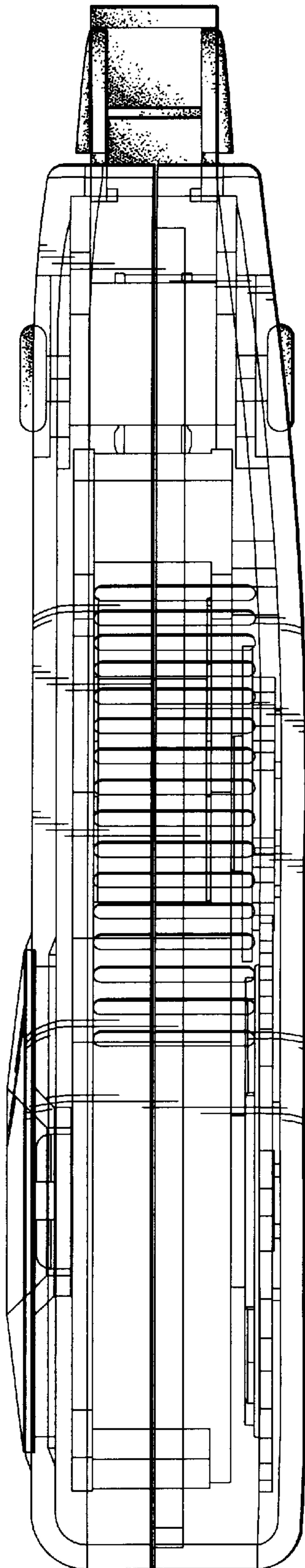


FIG 4

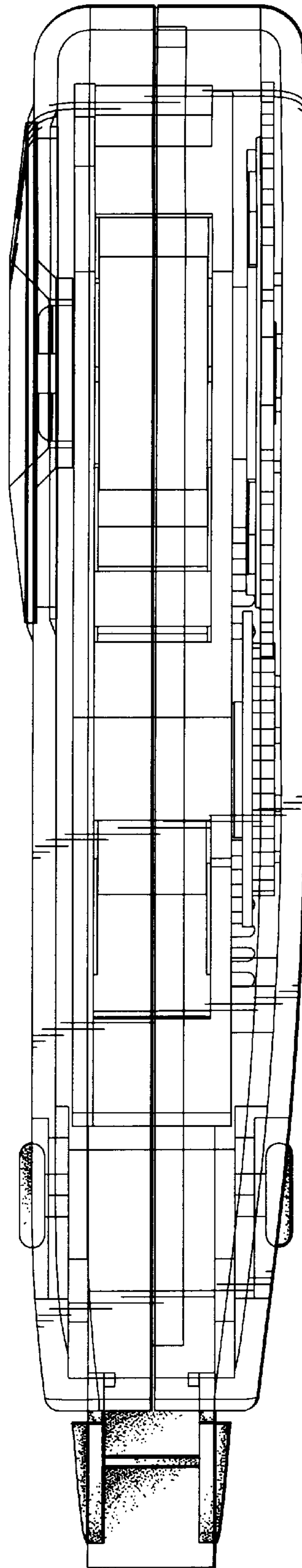


FIG 5

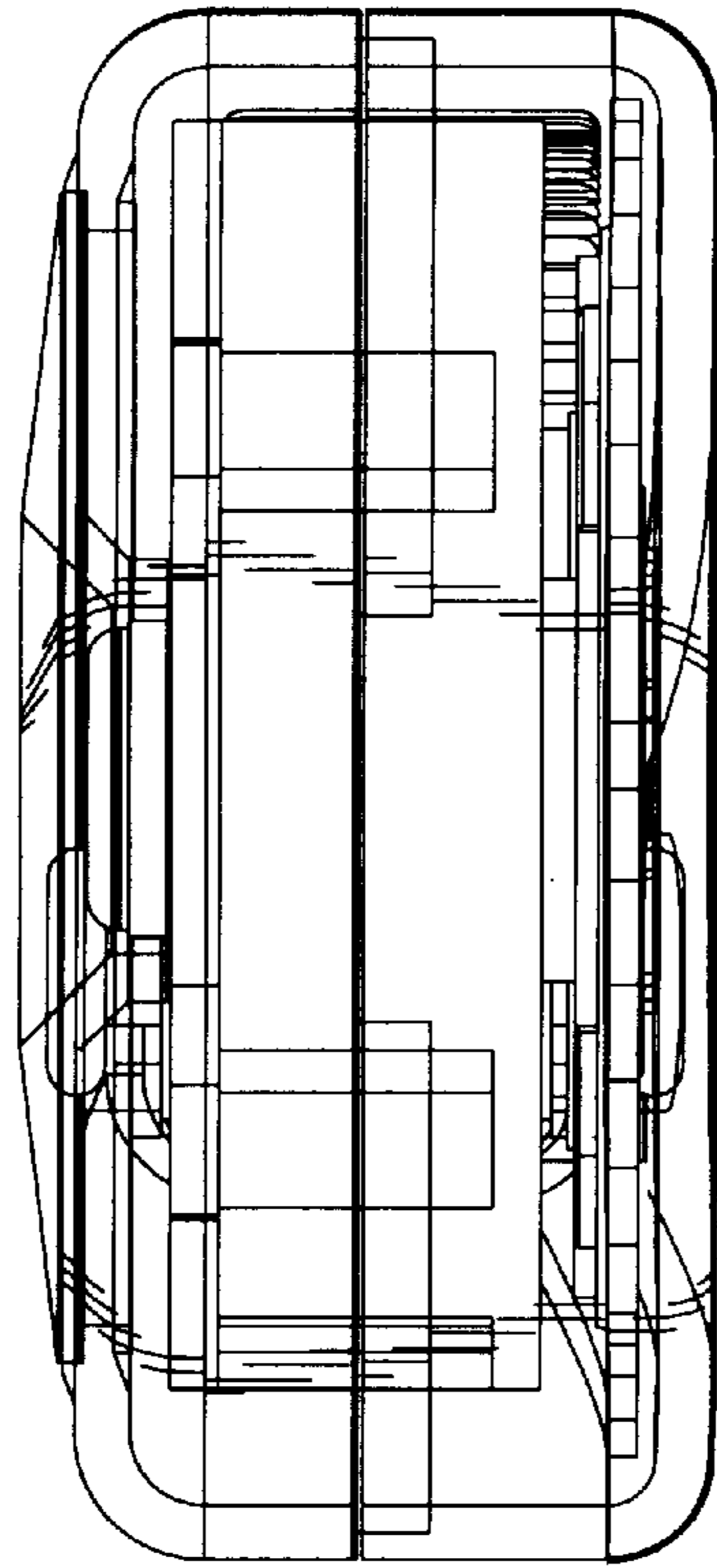


FIG 7

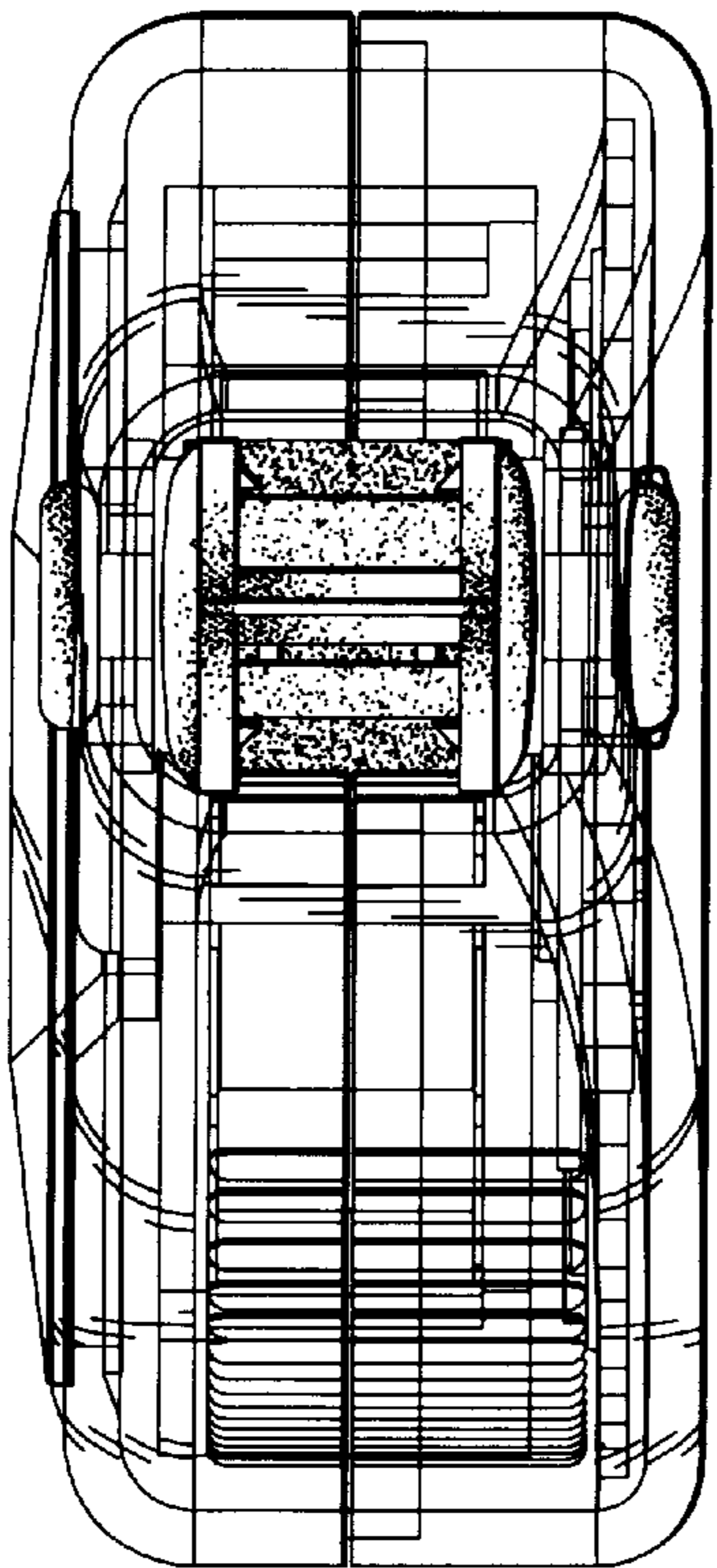


FIG 6

UNITED STATES PATENT AND TRADEMARK OFFICE
CERTIFICATE OF CORRECTION

PATENT NO. : Des. 436,625 S
DATED : January 23, 2001
INVENTOR(S) : Kazunori Katami

Page 1 of 1

It is certified that error appears in the above-identified patent and that said Letters Patent is hereby corrected as shown below:

Title page,

DESCRIPTION,

After "and," "currently" is deleted and in place thereof -- concurrently -- is inserted.

Signed and Sealed this

Twenty-fourth Day of September, 2002

Attest:

A handwritten signature in black ink, appearing to read "James E. Rogan", written over a horizontal line.

Attesting Officer

JAMES E. ROGAN
Director of the United States Patent and Trademark Office