



US00D436623S

(12) **United States Design Patent**
Schmidt et al.

(10) **Patent No.:** **US D436,623 S**

(45) **Date of Patent:** **** Jan. 23, 2001**

(54) **WRITING INSTRUMENT**

3,288,114 * 11/1966 Ritter 401/104
3,419,338 * 12/1968 Dirk et al. 401/111

(75) Inventors: **Roland Schmidt; Klaus Lackner**, both of Heidelberg (DE)

* cited by examiner

(73) Assignee: **Klio-Eterna Schreibgerate GmbH & Co KG**, Wolfach (DE)

Primary Examiner—Martie K. Holtje
(74) *Attorney, Agent, or Firm*—Akin, Gump, Strauss, Hauer & Feld, L.L.P.

(**) Term: **14 Years**

(57) **CLAIM**

(21) Appl. No.: **29/119,424**

The ornamental design for a writing instrument, as shown and described.

(22) Filed: **Feb. 29, 2000**

DESCRIPTION

(51) **LOC (7) Cl.** **19-06**

(52) **U.S. Cl.** **D19/46; D19/49; D19/56**

(58) **Field of Search** D19/35, 36, 41-51, D19/53-58, 81-85; 24/11 F; 401/6, 7, 88, 52, 195, 30, 34, 209, 99, 213, 101, 104, 109, 110-116

FIG. 1 is a perspective view of a writing instrument in accordance with our new design;
FIG. 2 is a left side elevational view of the writing instrument shown in FIG. 1;
FIG. 3 is a top plan view of the writing instrument shown in FIG. 1;
FIG. 4 is a front elevational view of the writing instrument shown in FIG. 1;
FIG. 5 is a bottom plan view of the writing instrument shown in FIG. 1;
FIG. 6 is a right side elevational view of the writing instrument shown in FIG. 1; and,
FIG. 7 is a rear elevational view of the writing instrument shown in FIG. 1.

(56) **References Cited**

U.S. PATENT DOCUMENTS

D. 68,281	*	9/1925	Todd, Jr.	D19/49
D. 144,459	*	4/1946	Iwanowicz	D19/56
D. 218,492	*	8/1970	Bich	D19/49
D. 233,613	*	11/1974	Hand	D19/56
D. 282,378	*	1/1986	Ohyabu et al.	D19/43
D. 321,207	*	10/1991	Granoff	D19/49
919,244	*	4/1909	Rider	24/11 F

1 Claim, 2 Drawing Sheets

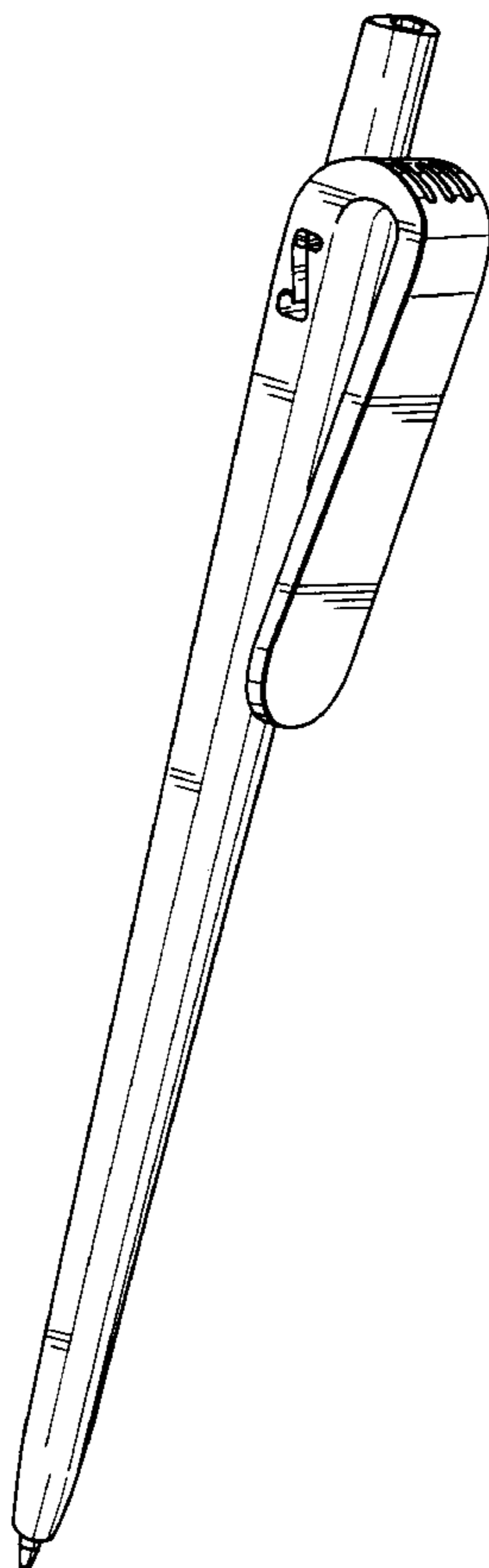


FIG. 1

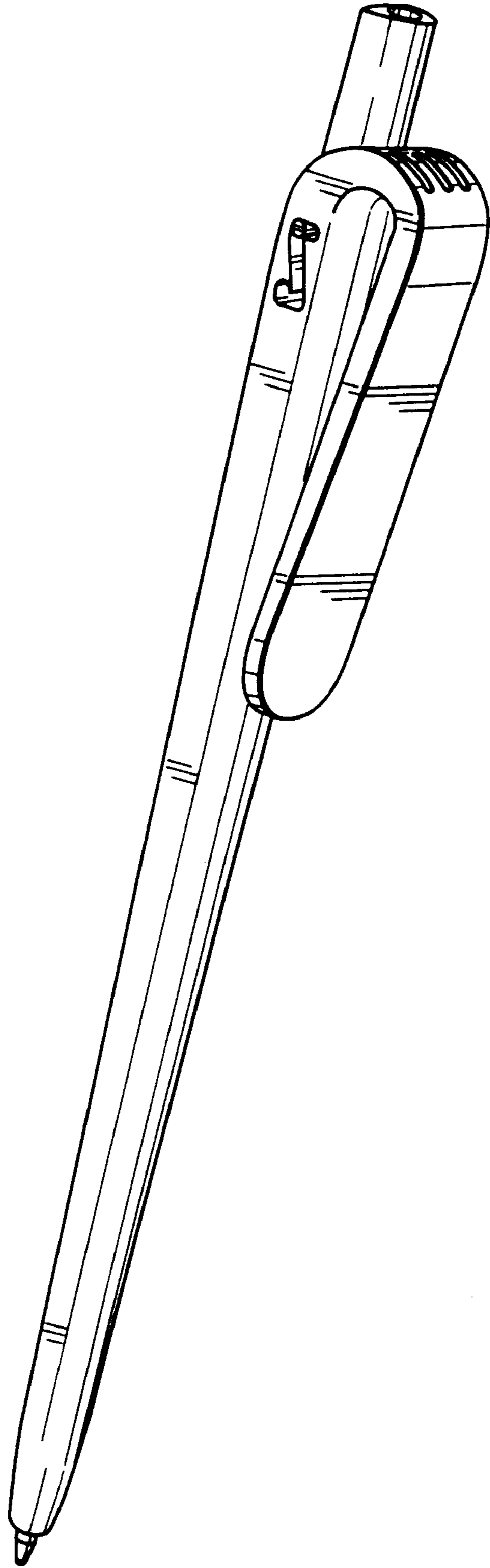


FIG. 3

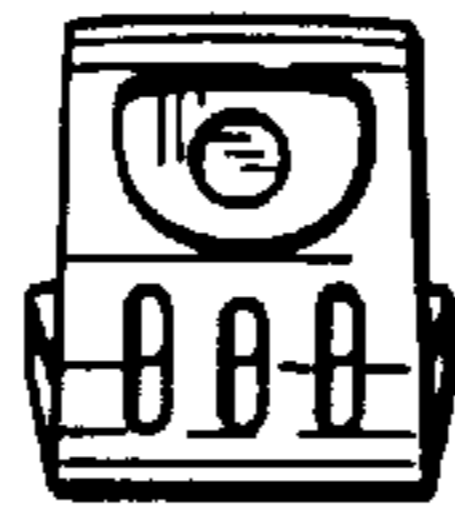


FIG. 2

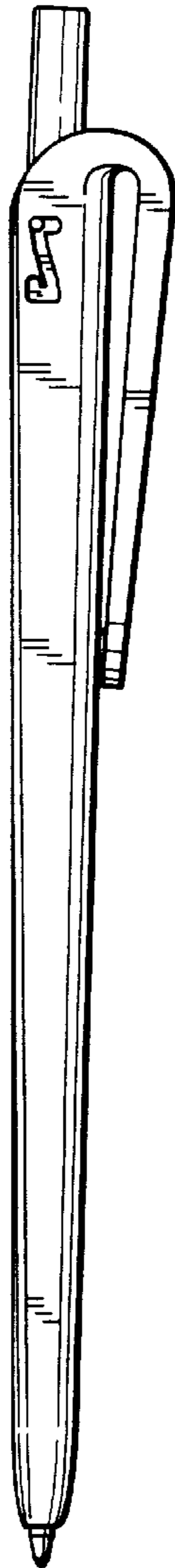


FIG. 4

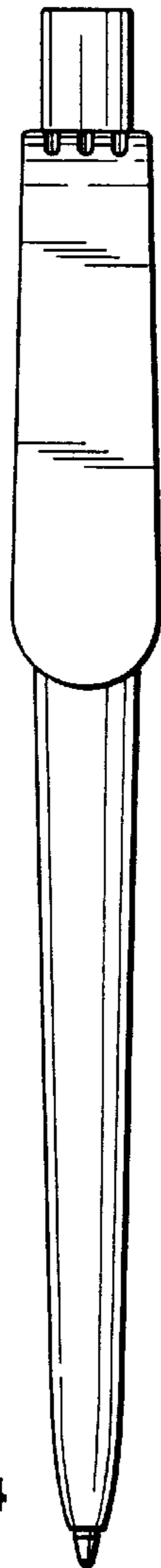


FIG. 6

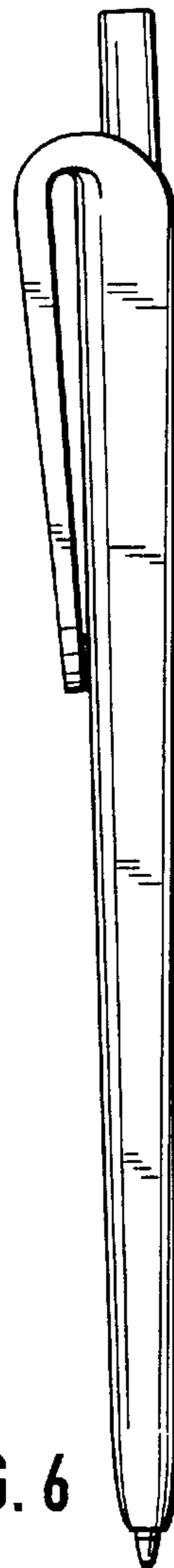


FIG. 7

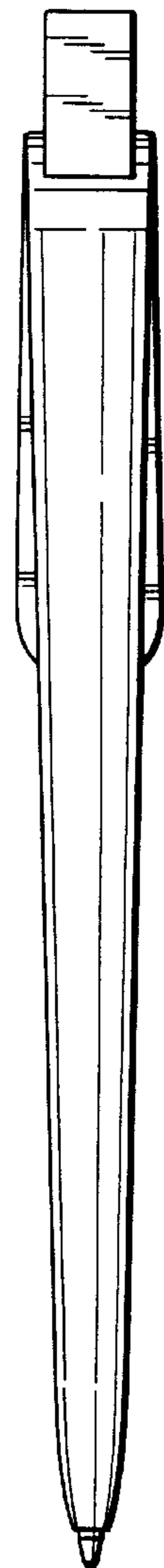


FIG. 5

