



US00D436620S

(12) **United States Design Patent**
Webb et al.

(10) **Patent No.: US D436,620 S**
(45) **Date of Patent: ** Jan. 23, 2001**

(54) **TRANSPARENT CARD WITH A MACHINE READABLE STRIPE, IC CHIP AND ORNAMENTAL RECTANGLE**

(75) Inventors: **Lisa Webb**, Darien, CT (US); **William J. Faenza, Jr.**, Manassas, VA (US); **Ellen Lasch**, New York; **Judy Vigiletti**, Croton, both of NY (US)

(73) Assignee: **American Express Travel Related Services Company, Inc.**, New York, NY (US)

(**) Term: **14 Years**

4,547,002	10/1985	Colgate, Jr. .	
4,563,024	1/1986	Blyth .	
4,593,936	6/1986	Opel .	
4,597,814	7/1986	Colgate, Jr. .	
4,641,017	2/1987	Lopata .	
4,684,795	8/1987	Colgate, Jr. .	
4,705,299 *	11/1987	Hedgcoth et al.	283/68
4,711,690	12/1987	Haghiri-Tehrani .	
4,779,898	10/1988	Berning et al. .	
4,852,911	8/1989	Hoppe .	
4,889,366	12/1989	Fabbiani .	
5,026,452 *	6/1991	Kodai	283/904 X
5,106,125	4/1992	Antes .	
5,142,383	8/1992	Mallik .	
5,246,375 *	9/1993	Goede	283/904 X

(List continued on next page.)

(21) Appl. No.: **29/110,185**

(22) Filed: **Sep. 1, 1999**

(51) **LOC (7) Cl.** **19-08**

(52) **U.S. Cl.** **D19/10; D19/9; D14/437**

(58) **Field of Search** **D14/435, 436, D14/437, 438, 479; D19/9, 10; 235/380-382.5, 441-443, 449, 454, 457, 469, 487-494; 283/72, 74, 75, 77, 78, 82-93, 107-114, 904**

(56) **References Cited**

U.S. PATENT DOCUMENTS

D. 61,466	9/1922	Foltz .	
D. 270,546	9/1983	Malmberg .	
D. 280,214	8/1985	Opel .	
D. 290,136 *	6/1987	Ball et al.	D19/9
D. 310,386	9/1990	Michels et al. .	
D. 358,419 *	5/1995	Runyan	D19/10
D. 384,971	10/1997	Kawan .	
D. 387,746 *	12/1997	Ishihara	D14/114
D. 406,861 *	3/1999	Leedy, Jr.	D19/10
D. 408,054	4/1999	Leedy, Jr. .	
D. 427,577 *	7/2000	Haas et al.	D14/117
3,838,252	9/1974	Hynes et al. .	
3,894,756	7/1975	Ward .	
4,058,839	11/1977	Darjany .	
4,223,918 *	9/1980	Smoczynski	283/83

FOREIGN PATENT DOCUMENTS

0 403 134 A3	1/1992	(EP) .
WO 89/03760	5/1989	(WO) .

Primary Examiner—Martie K. Holtje

(74) *Attorney, Agent, or Firm*—Snell & Wilmer L.L.P.

(57) **CLAIM**

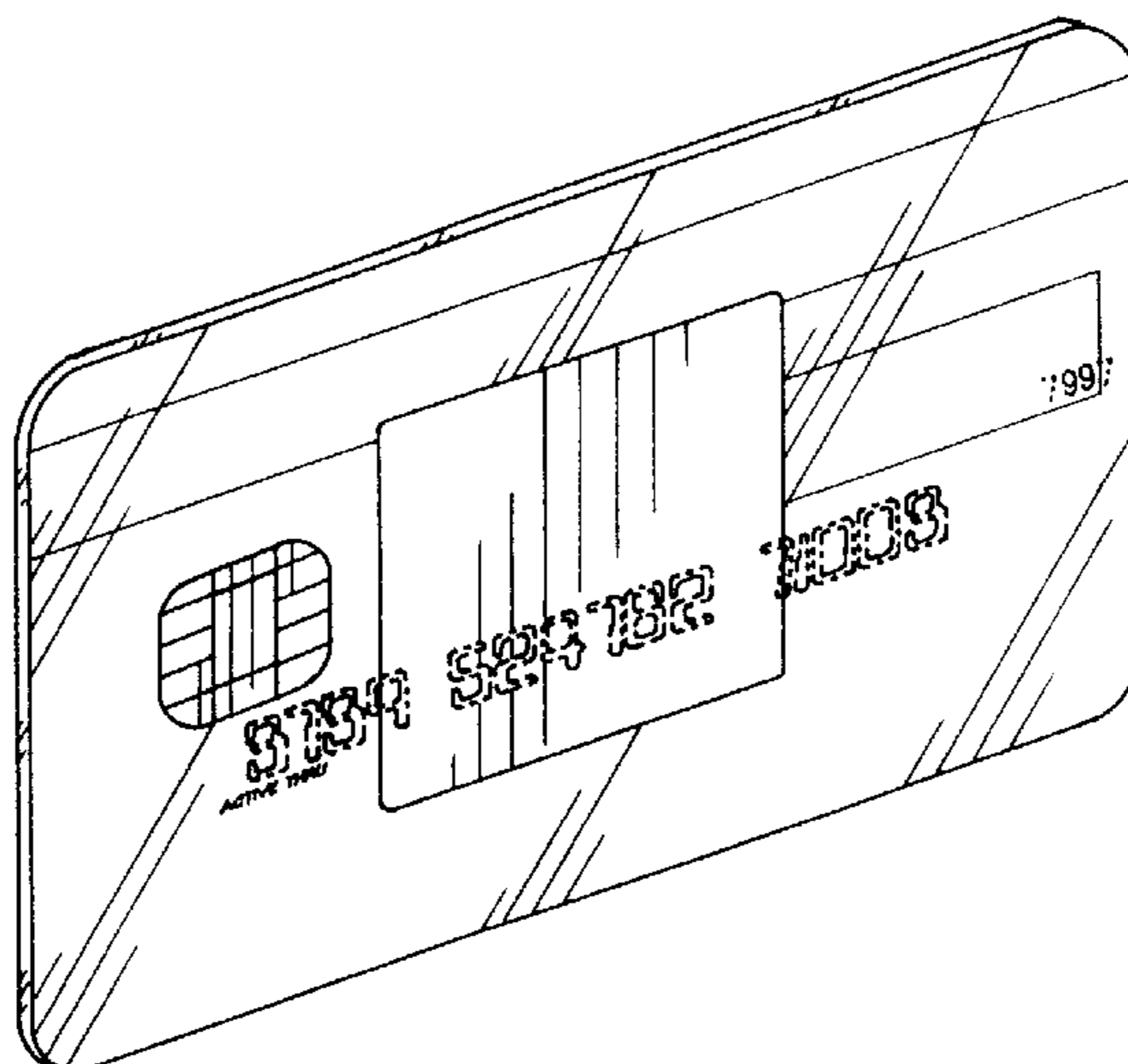
The ornamental design for a transparent card with a machine readable stripe, IC chip and ornamental rectangle, as shown.

DESCRIPTION

FIG. 1 is a perspective view of a transparent card with a machine readable stripe, integrated circuit (IC) chip and ornamental rectangle showing our new design; FIG. 2 is a front view of the card of FIG. 1; FIG. 3 is a rear view of the card of FIG. 1; FIG. 4 is a right side elevational view thereof; FIG. 5 is a left side elevational view thereof; FIG. 6 is a front elevational view thereof; and, FIG. 7 is a rear elevational view thereof.

The numerals and indicia depicted by means of broken lines in the drawing figures have been shown for illustrative purposes only and form no part of the claimed design.

1 Claim, 1 Drawing Sheet



US D436,620 S

Page 2

U.S. PATENT DOCUMENTS

5,251,937	10/1993	Ojster .	5,720,500	2/1998	Okazaki et al. .	
5,351,142	9/1994	Cueli .	5,789,733	8/1998	Jachimowicz et al. .	
5,355,411	10/1994	MacDonald .	5,808,758	9/1998	Solmsdorf .	
5,383,687	1/1995	Suess et al. .	5,857,709	1/1999	Chock .	
5,516,153	5/1996	Kaule .	5,900,954	5/1999	Katz et al. .	
5,608,203	3/1997	Finkelstein et al. .	6,027,028 *	2/2000	Pieterse et al.	235/492
5,697,649	12/1997	Dames et al. .	6,076,731 *	6/2000	Terrell	235/454
5,700,037	12/1997	Keller .				

* cited by examiner

FIG. 1

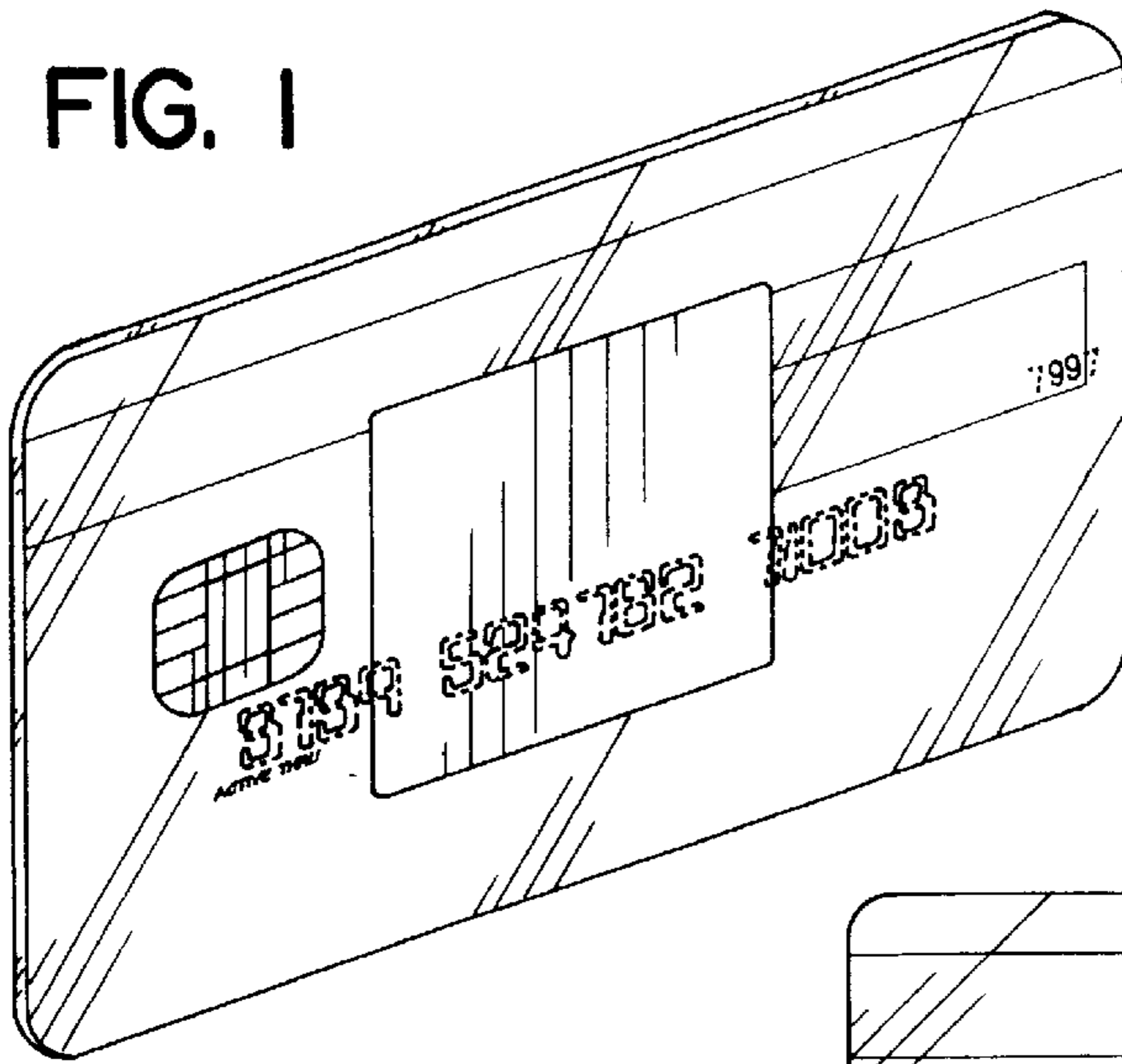


FIG. 2

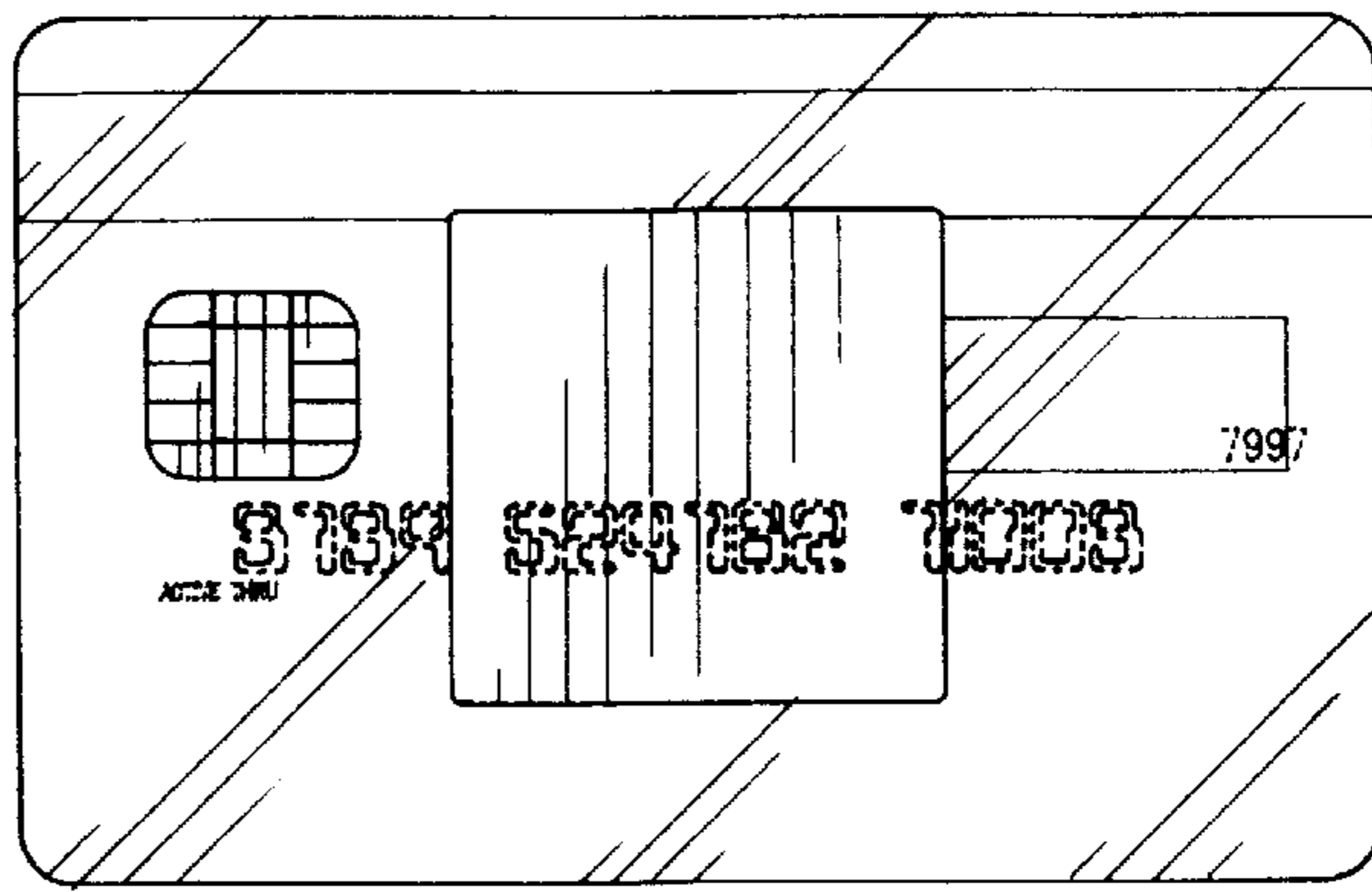


FIG. 3

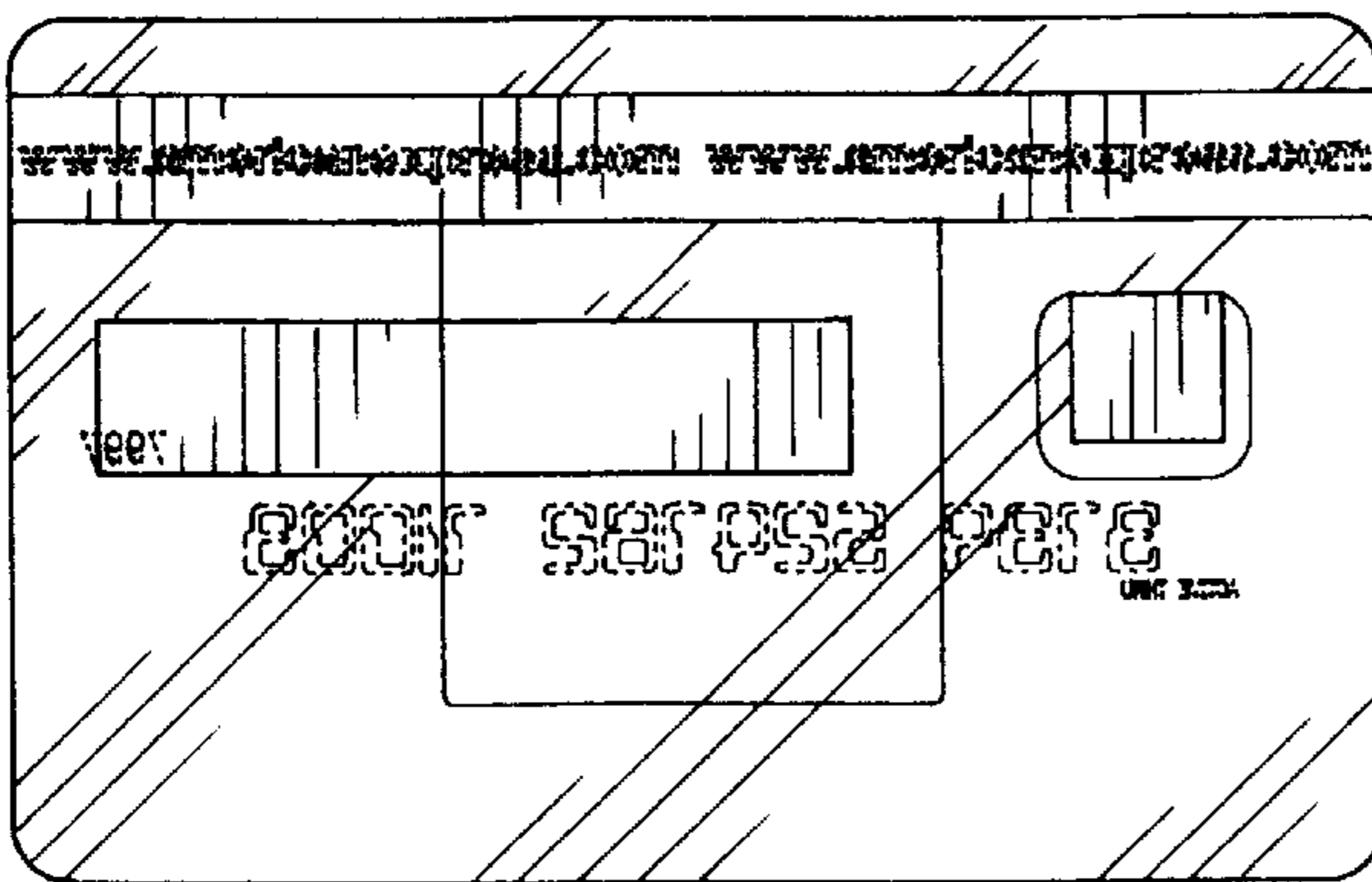


FIG. 4

FIG. 5

FIG. 6

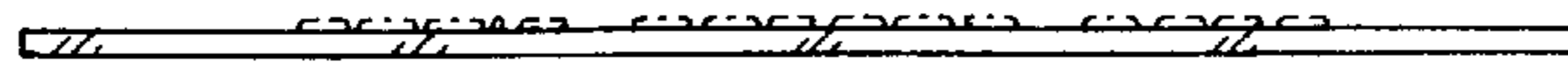


FIG. 7

