



US00D436619S

(12) **United States Design Patent**
Kotaki et al.

(10) **Patent No.:** **US D436,619 S**

(45) **Date of Patent:** **** Jan. 23, 2001**

(54) **INK TANK FOR INK JET PRINTER**

(75) Inventors: **Yasuo Kotaki**, Yokohama; **Masashi Ogawa**, Kawasaki; **Shigeyuki Nakayama**, Tokyo; **Tsutomu Abe**, Isehara, all of (JP)

(73) Assignee: **Canon Kabushiki Kaisha**, Tokyo (JP)

(**) Term: **14 Years**

(21) Appl. No.: **29/119,152**

(22) Filed: **Feb. 25, 2000**

(30) **Foreign Application Priority Data**

Aug. 27, 1999 (JP) 11-23007

(51) **LOC (7) Cl.** **18-02**

(52) **U.S. Cl.** **D18/56; 347/86**

(58) **Field of Search** **D18/56; 347/86, 347/87**

(56) **References Cited**

U.S. PATENT DOCUMENTS

D. 367,884	*	3/1996	Taneya et al.	D18/56
D. 371,389	*	7/1996	Taneya et al.	D18/56
D. 372,045	*	7/1996	Tokuda et al.	D18/56
D. 372,732	*	8/1996	Taneya et al.	D18/56
D. 377,046	*	12/1996	Tashiro et al.	D18/56
D. 378,527	*	3/1997	Tashiro et al.	D18/56
D. 386,520	*	11/1997	Tashiro et al.	D18/56
D. 401,620	*	11/1998	Nozawa et al.	D18/56
D. 404,067	*	1/1999	Tashiro et al.	D18/56
D. 423,568	*	4/2000	Inoue et al.	D18/56
D. 425,932	*	5/2000	Shimizu et al.	D18/56
D. 430,202		8/2000	Kataki et al.	.	
D. 430,601		9/2000	Kataki et al.	.	
D. 430,602		9/2000	Kataki et al.	.	
5,619,237	*	4/1997	Inoue et al.	347/86

OTHER PUBLICATIONS

U.S. application No. 29/116,665, filed Jan. 10, 2000, Kotaki et al.

U.S. application No. 29/116,666, filed Jan. 10, 2000, Kotaki et al.

U.S. application No. 29/116,673, filed Jan. 10, 2000, Kotaki et al.

U.S. application No. 29/116,674, filed Jan. 10, 2000, Kotaki et al.

U.S. application No. 29/116,668, filed Jan. 10, 2000, Kotaki et al.

U.S. application No. 29/116,667, filed Jan. 10, 2000, Kotaki et al.

U.S. application No. 29/119,151, filed Feb. 25, 2000, Kotaki et al.

U.S. application No. 29/119,334, filed Feb. 25, 2000, Kotaki et al.

* cited by examiner

Primary Examiner—Cathy Anne MacCormac

(74) *Attorney, Agent, or Firm*—Fitzpatrick, Cella, Harper & Scinto

(57) **CLAIM**

The ornamental design for an ink tank for ink jet printer, as shown and described.

DESCRIPTION

FIG. 1 is a front view of an ink tank for ink jet printer showing our new design;
FIG. 2 is a rear view thereof;
FIG. 3 is a top plan view thereof;
FIG. 4 is a bottom plan view thereof;
FIG. 5 is a left side view thereof;
FIG. 6 is a right side view thereof; and,
FIG. 7 is a perspective view thereof.

1 Claim, 3 Drawing Sheets

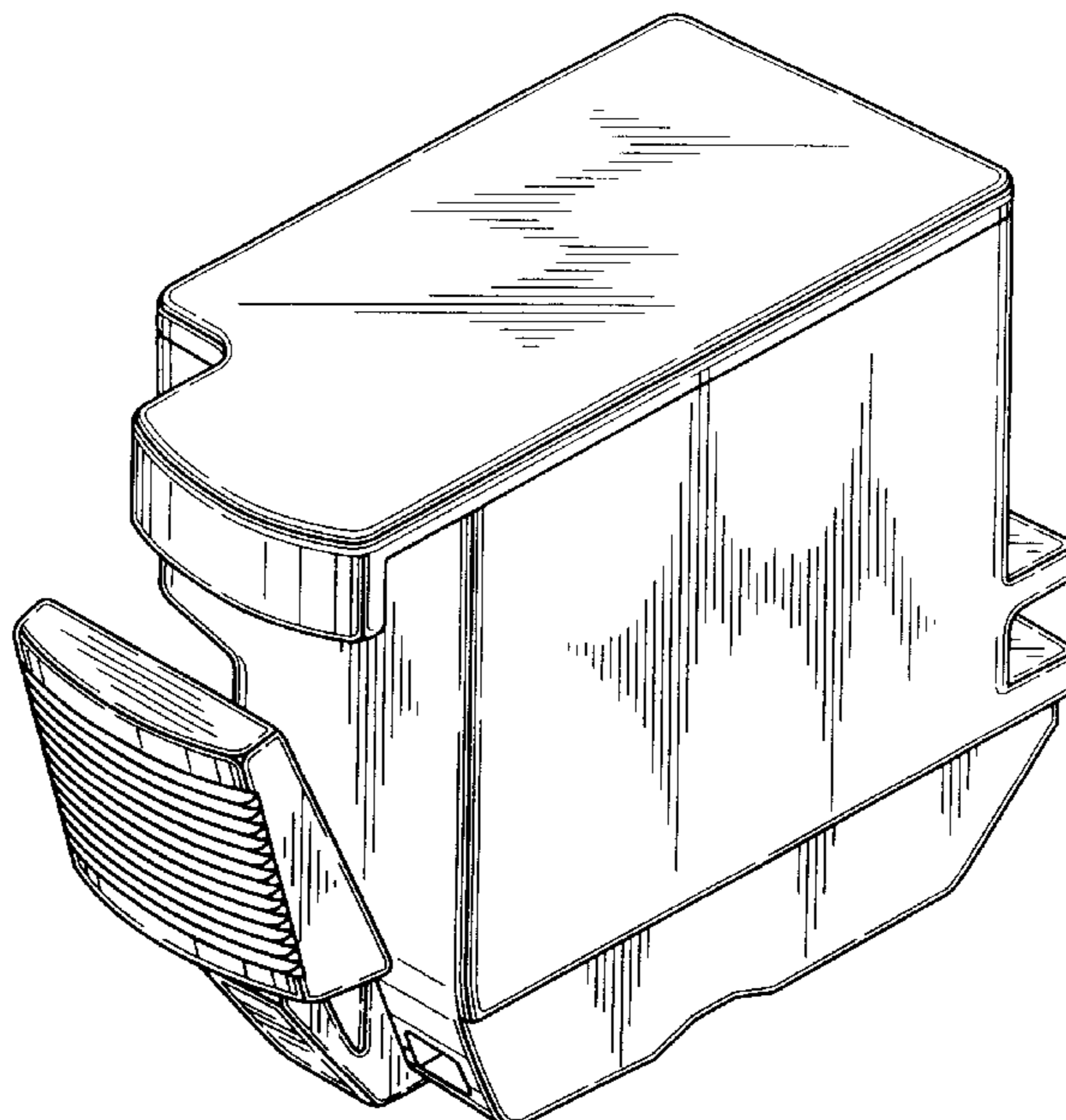


FIG. 1

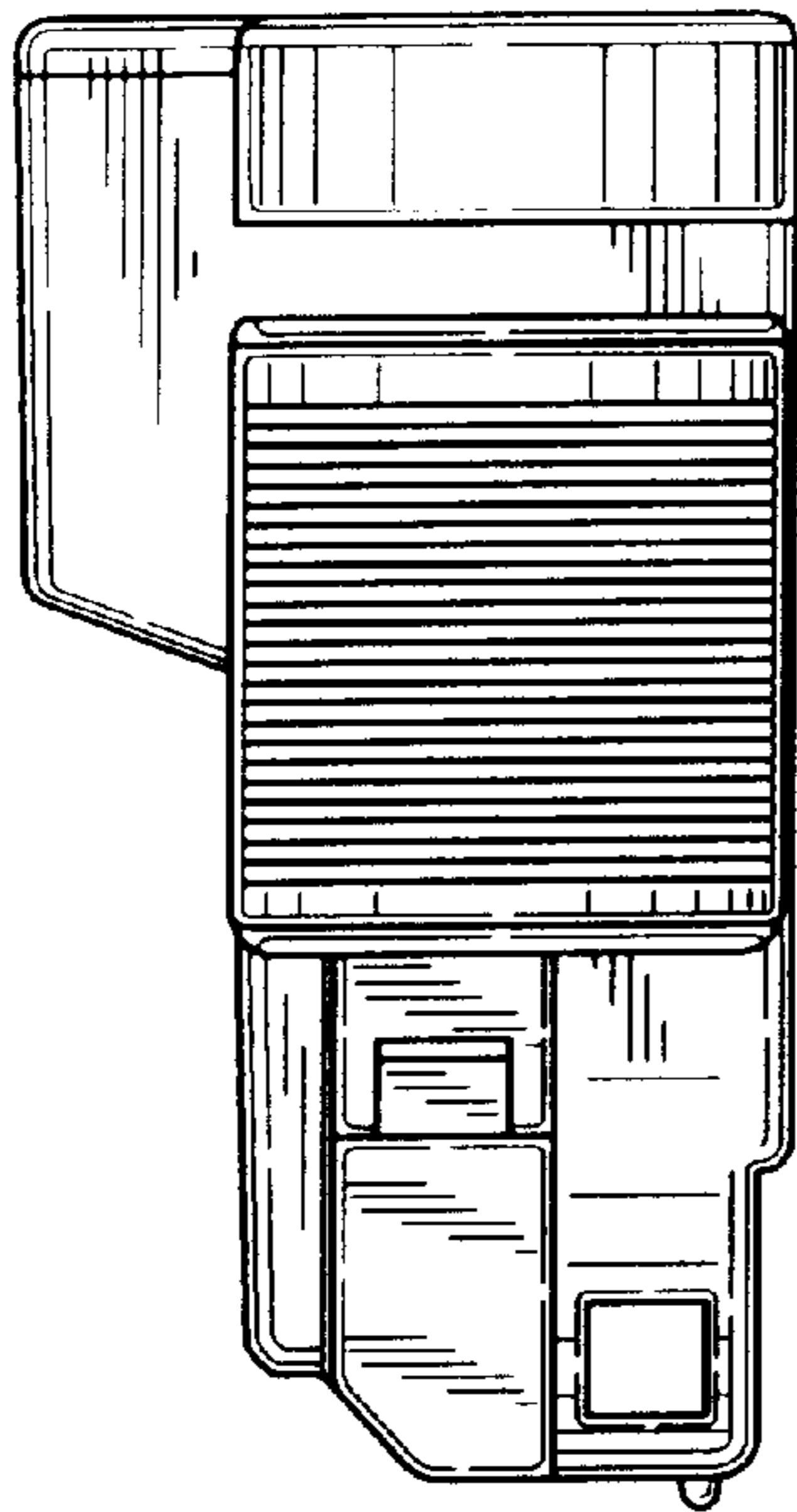


FIG. 2

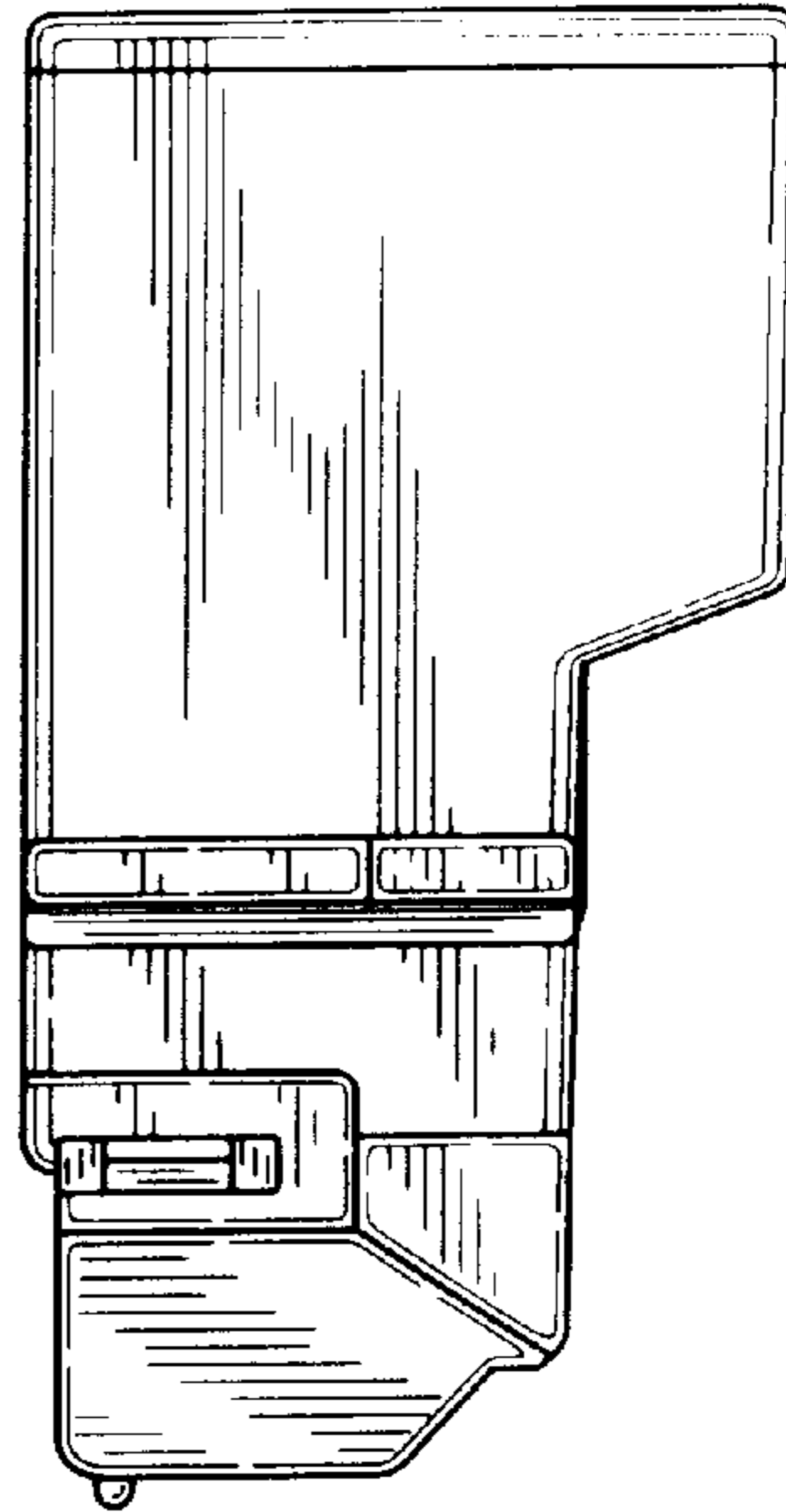


FIG. 3

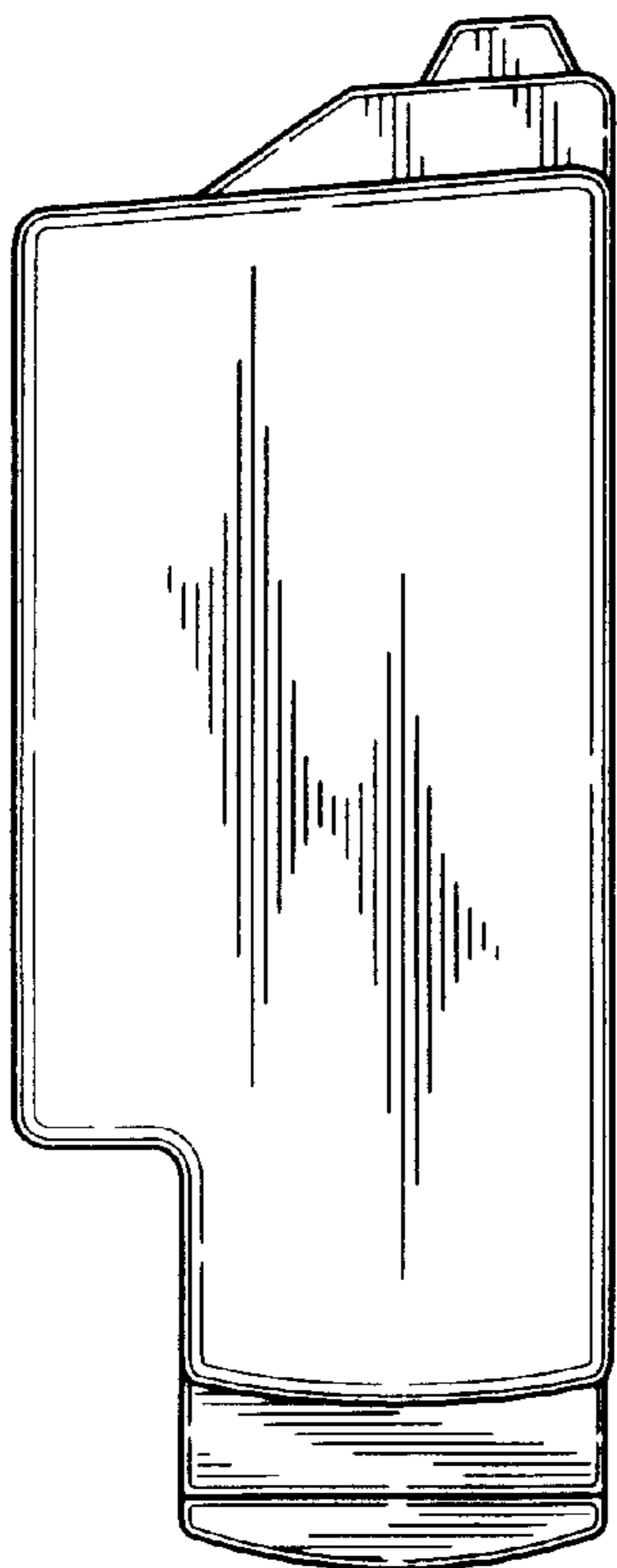


FIG. 4

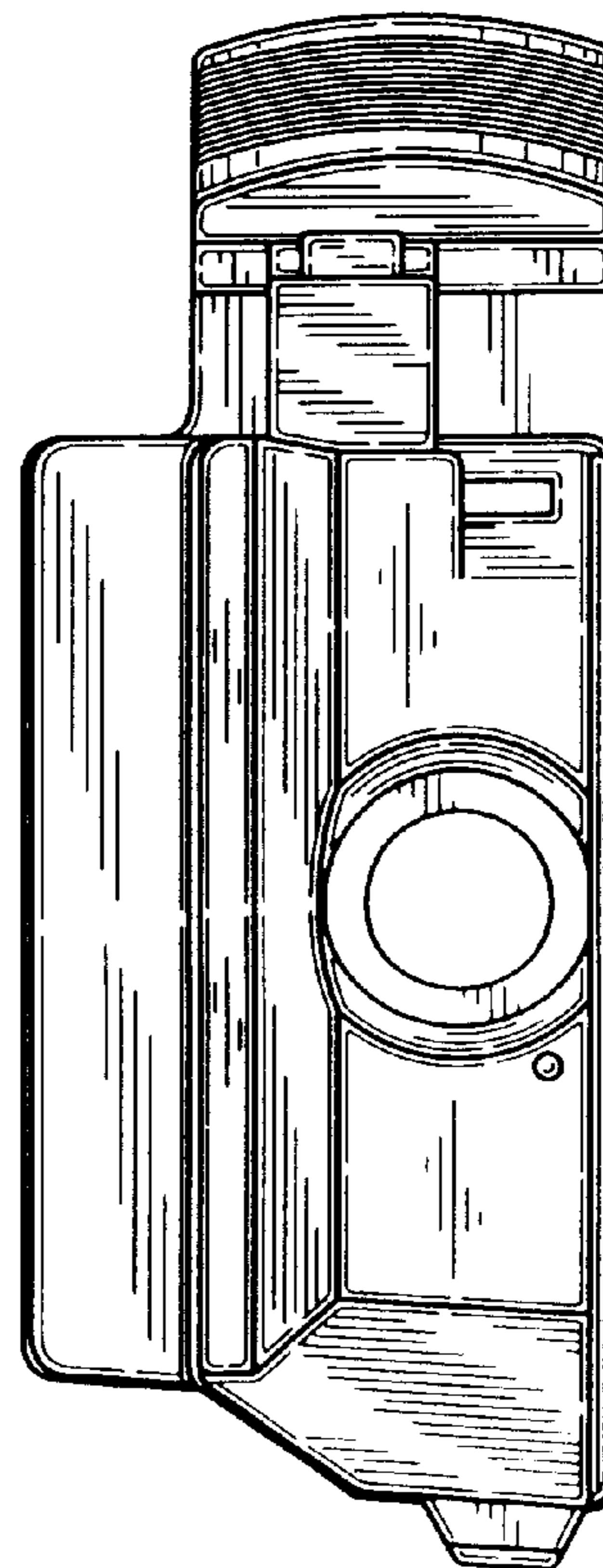


FIG. 5

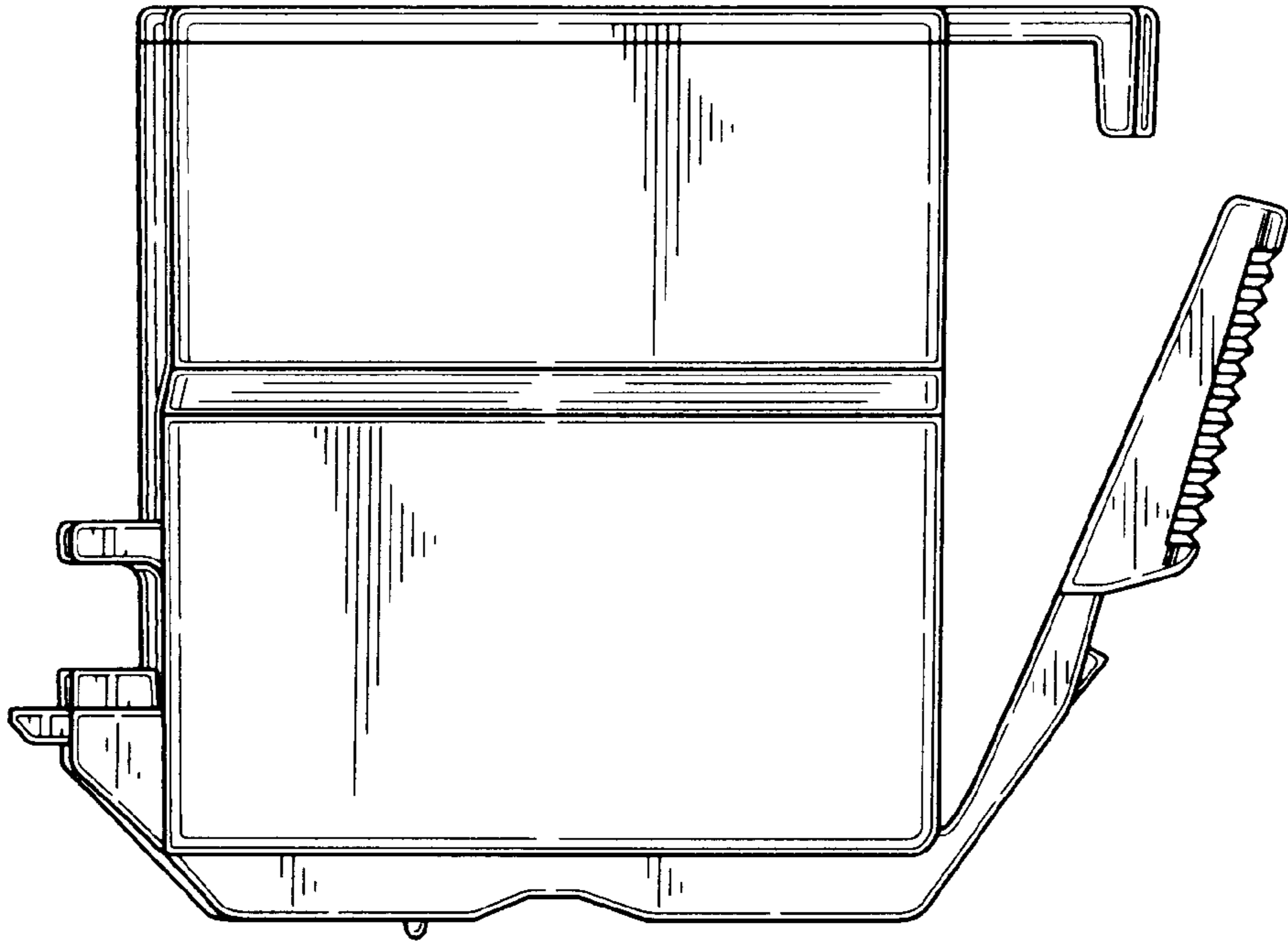


FIG. 6

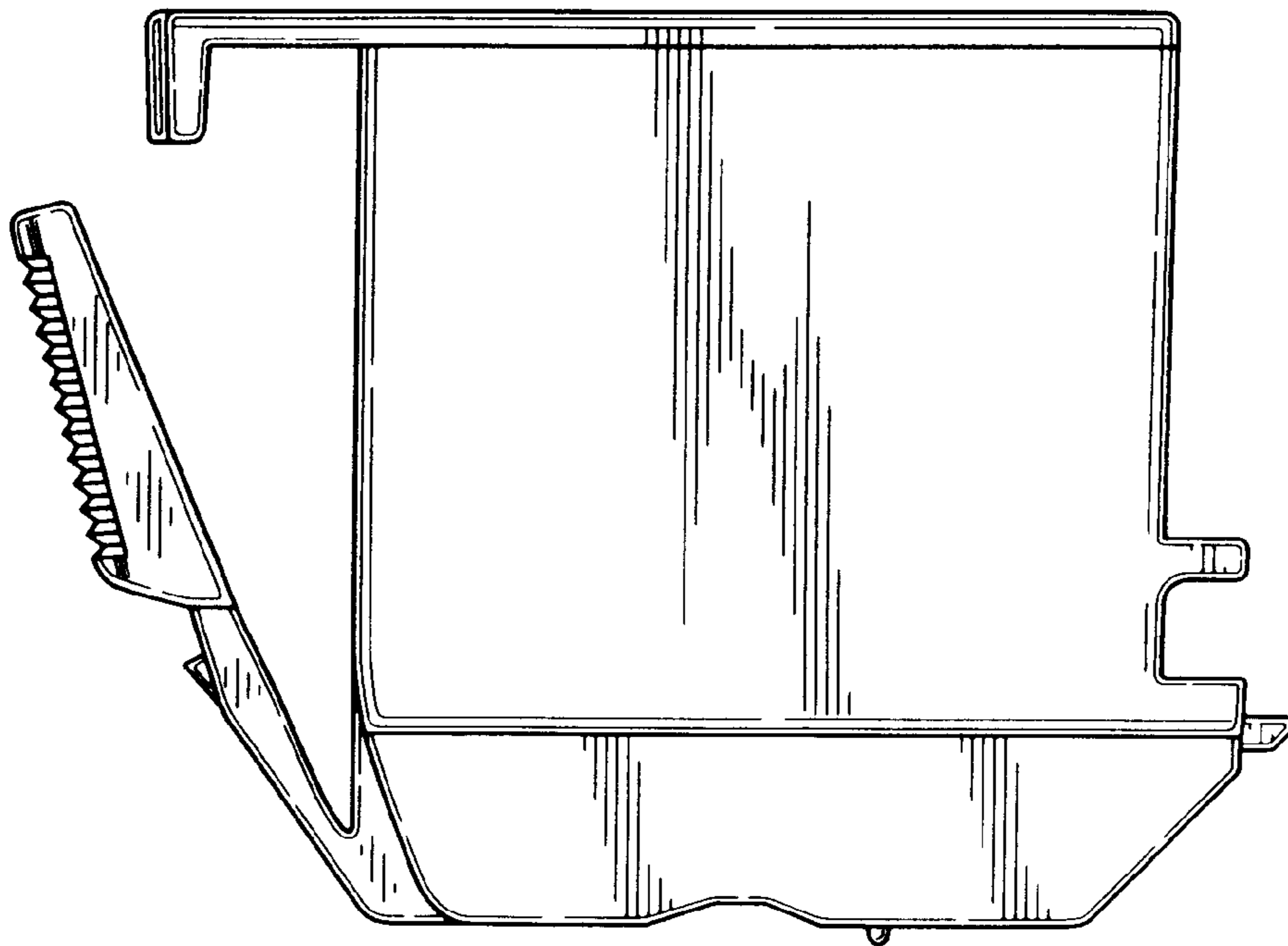
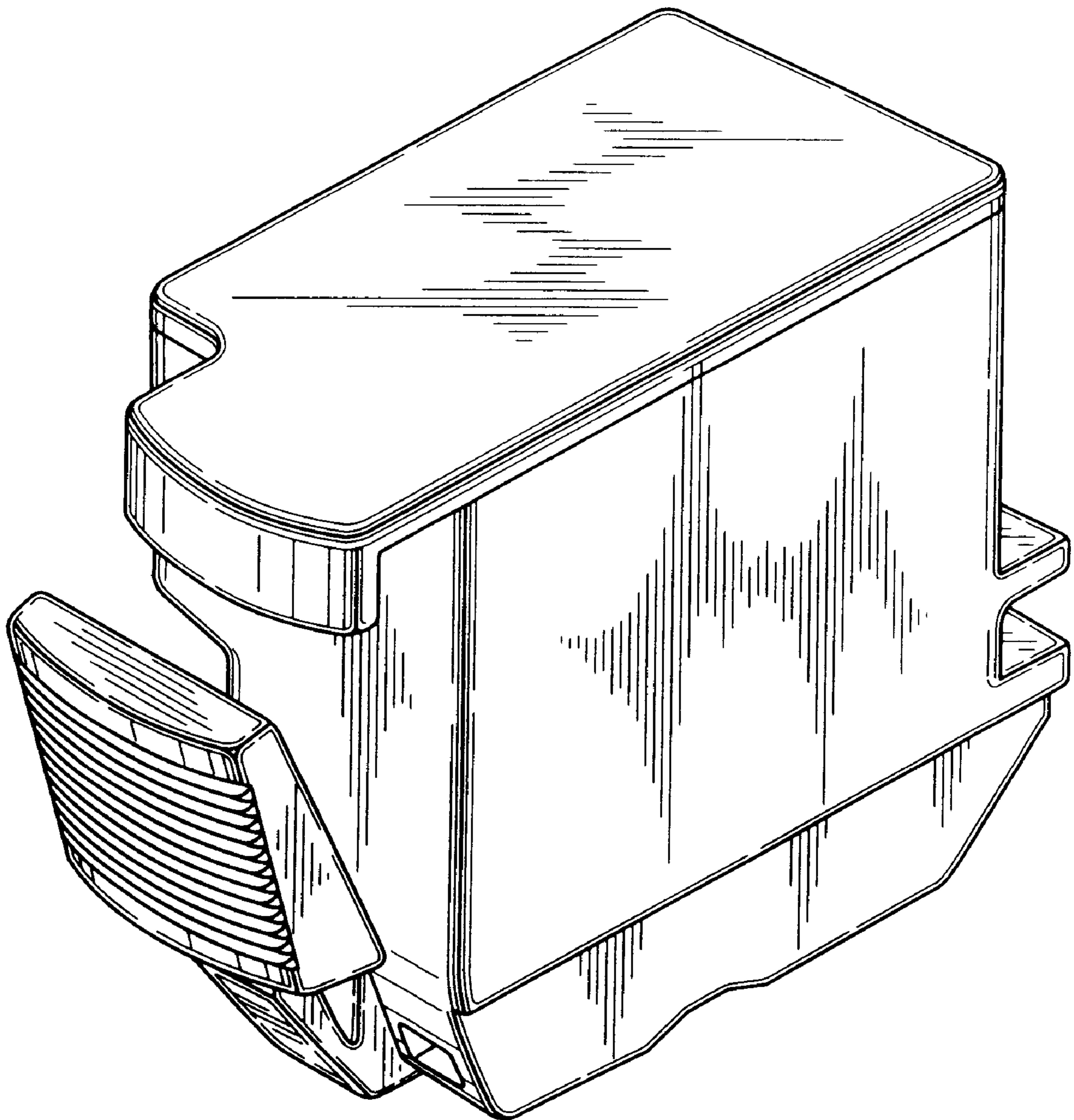


FIG. 7



UNITED STATES PATENT AND TRADEMARK OFFICE
CERTIFICATE OF CORRECTION

PATENT NO. : Des 436,619 S
DATED : January 23, 2001
INVENTOR(S) : Yasuo Kotaki et al.

Page 1 of 1

It is certified that error appears in the above-identified patent and that said Letters Patent is hereby corrected as shown below:

Title page, item [56] References Cited,

OTHER PUBLICATIONS

- "U.S. application No. 29/116,665, filed Jan. 10, 2000, Kotaki et al." should be deleted.
- "U.S. application No. 29/116,666, filed Jan. 10, 2000, Kotaki et al." should be deleted.
- "U.S. application No. 29/116,673, filed Jan. 10, 2000, Kotaki et al." should be deleted.
- "U.S. application No. 29/116,674, filed Jan. 10, 2000, Kotaki et al." should be deleted.
- "U.S. application No. 29/116,668, filed Jan. 10, 2000, Kotaki et al." should be deleted.
- "U.S. application No. 29/116,667, filed Jan. 10, 2000, Kotaki et al." should be deleted.
- "U.S. application No. 29/119,151, filed Feb. 25, 2000, Kotaki et al." should be deleted.
- "U.S. application No. 29/119,334, filed Feb. 25, 2000, Kotaki et al." should be deleted.

Signed and Sealed this

Sixth Day of November, 2001

Attest:

Nicholas P. Godici

Attesting Officer

NICHOLAS P. GODICI
Acting Director of the United States Patent and Trademark Office