



US00D436617S

(12) **United States Design Patent**  
**Feitel et al.**

(10) **Patent No.:** **US D436,617 S**

(45) **Date of Patent:** **\*\* Jan. 23, 2001**

(54) **PRINTER**

(75) Inventors: **Mark A. Feitel**, Plymouth; **Scott C. Milton**, Maplewood; **Robert E. Mora**; **David J. Schouweiler**, both of Minneapolis, all of MN (US)

(73) Assignee: **Brady Worldwide, Inc.**, Milwaukee, WI (US)

(\*\*) Term: **14 Years**

(21) Appl. No.: **29/107,580**

(22) Filed: **Jul. 8, 1999**

(51) **LOC (7) Cl.** ..... **14-02**

(52) **U.S. Cl.** ..... **D18/55**

(58) **Field of Search** ..... D18/50, 54-55;  
400/413, 413.1-413.4, 691-694, 690.1-690.4

(56) **References Cited**

**U.S. PATENT DOCUMENTS**

D. 317,937	*	7/1991	Uchihori et al.	.....	D18/54
D. 363,506	*	10/1995	Inukai	.....	D18/55
D. 379,827	*	6/1997	Andre	.....	D18/54
D. 387,085	*	12/1997	Masujima et al.	.....	D18/54
D. 395,332	*	6/1998	Leong et al.	.....	D18/55

D. 400,571	*	11/1998	Shimizu	.....	D18/54
D. 400,572	*	11/1998	Sekine et al.	.....	D18/54
D. 402,689	*	12/1998	Brown et al.	.....	D18/55
D. 406,274	*	3/1999	Brown et al.	.....	D18/55
D. 413,142	*	8/1999	Pangburn	.....	D18/55
D. 422,301	*	4/2000	Short et al.	.....	D18/36

\* cited by examiner

*Primary Examiner*—Cathy Anne MacCormac

(74) *Attorney, Agent, or Firm*—Quarles & Brady LLP

(57) **CLAIM**

The ornamental design for a printer, as shown and described.

**DESCRIPTION**

FIG. 1 is a left, top perspective view of a printer embodying our new design;

FIG. 2 is a top plan view thereof;

FIG. 3 is a front elevational view thereof;

FIG. 4 is a rear elevational view thereof;

FIG. 5 is a left side elevational view thereof;

FIG. 6 is a right elevational view thereof; and,

FIG. 7 is a bottom plan view thereof.

The broken line representation of a display in FIGS. 1, 2, 3, 5 and 6 and of components in FIGS. 1-7 are for illustration only.

**1 Claim, 5 Drawing Sheets**

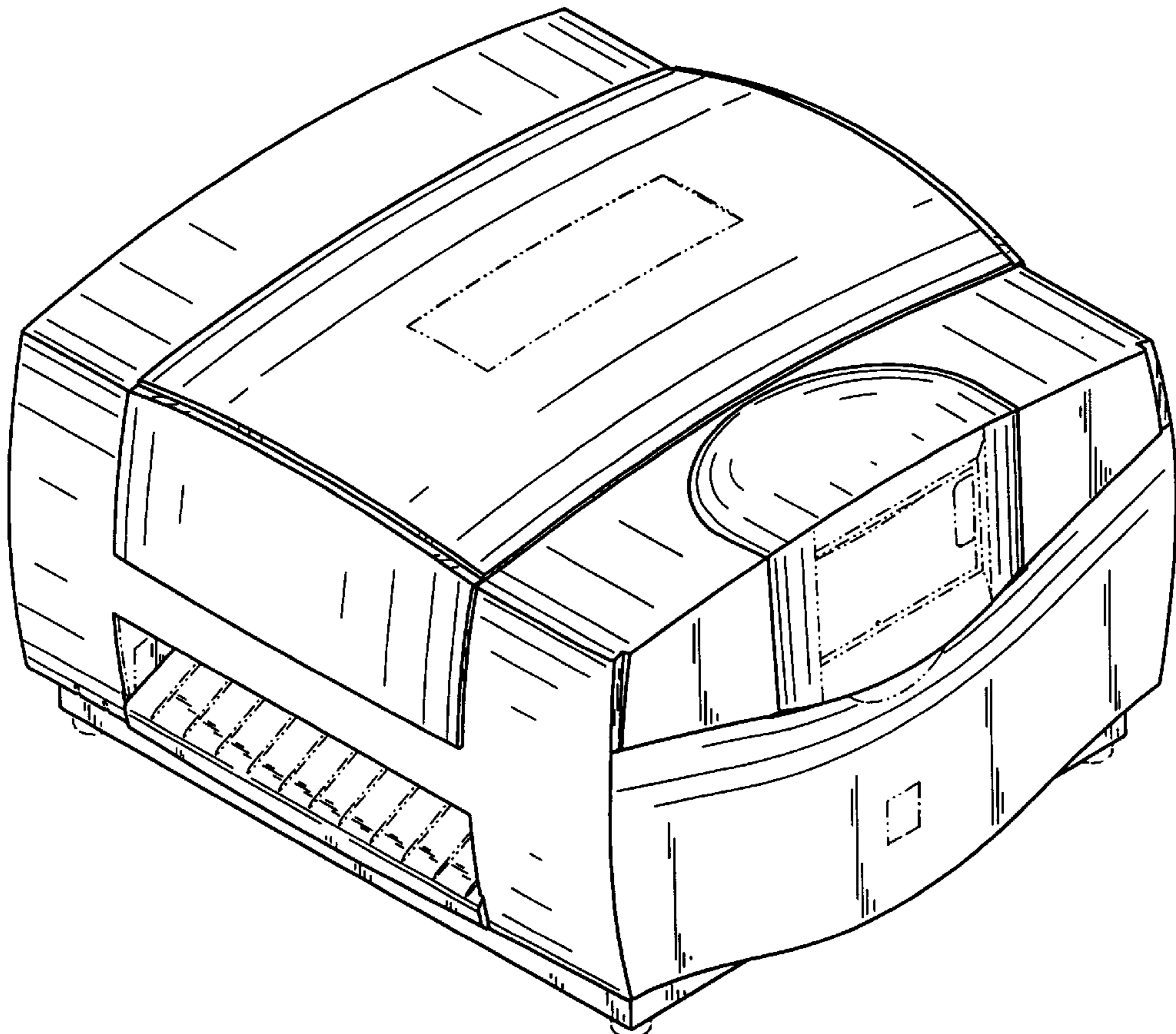


FIG. 1

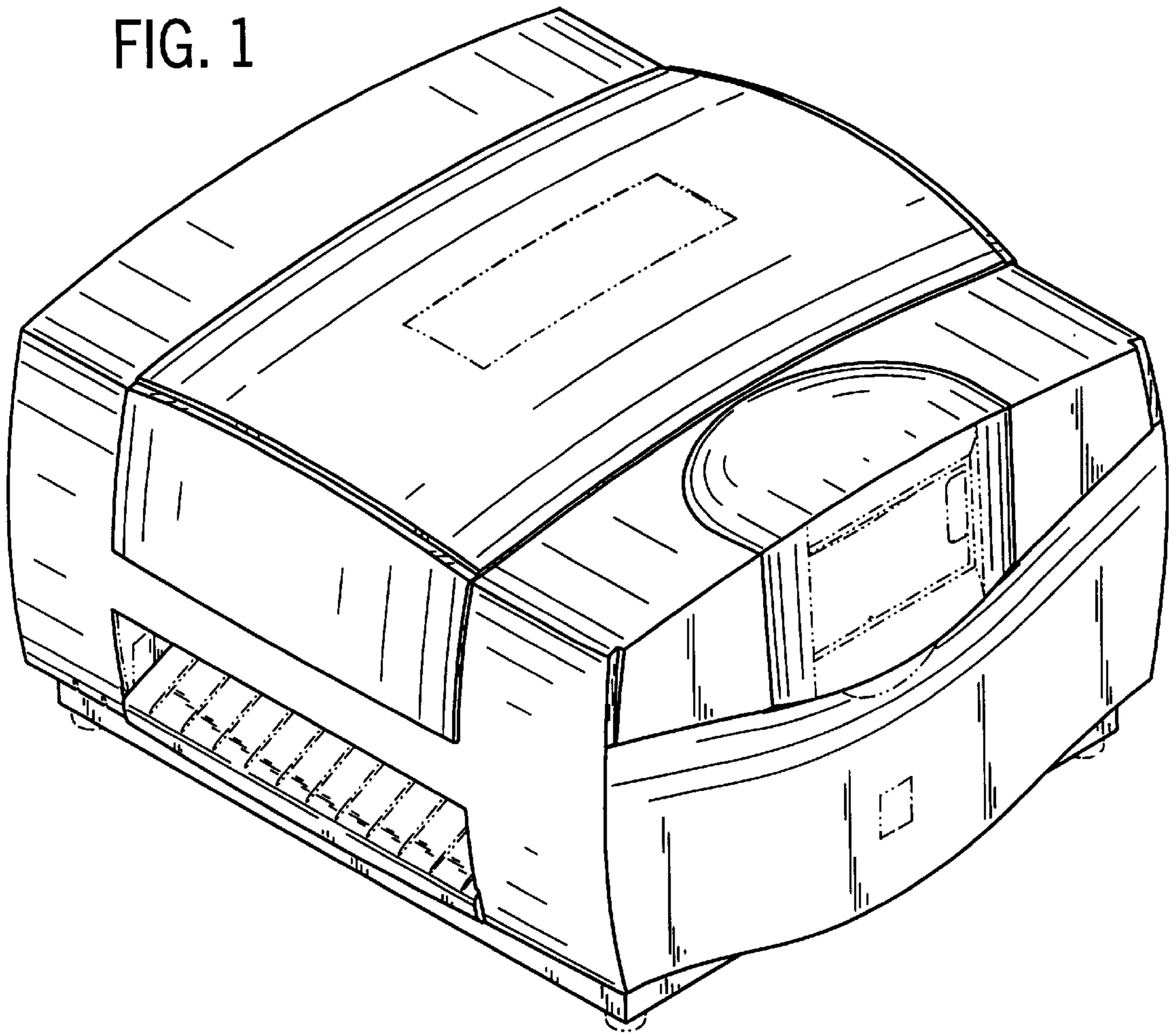


FIG. 2

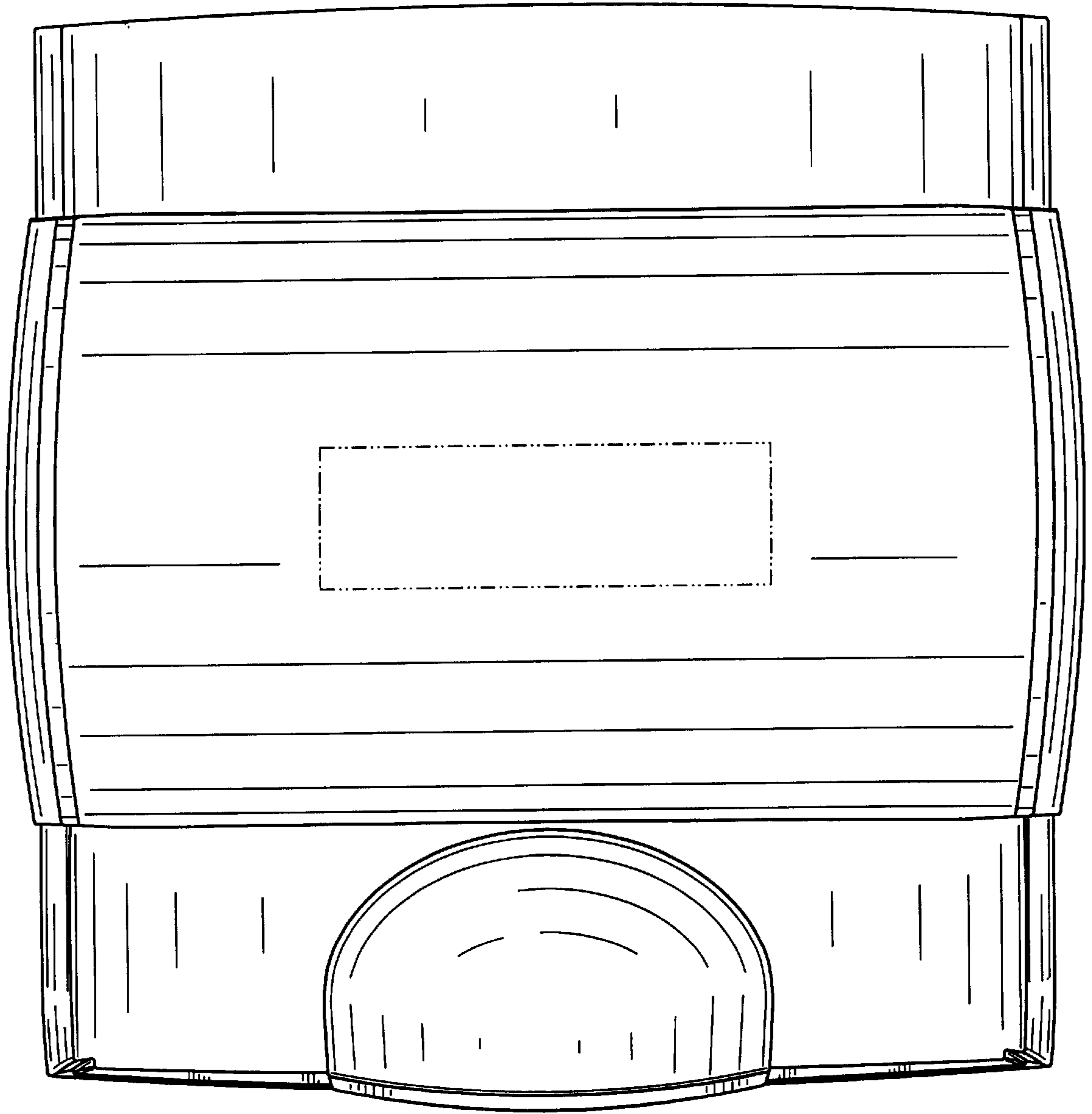


FIG. 3

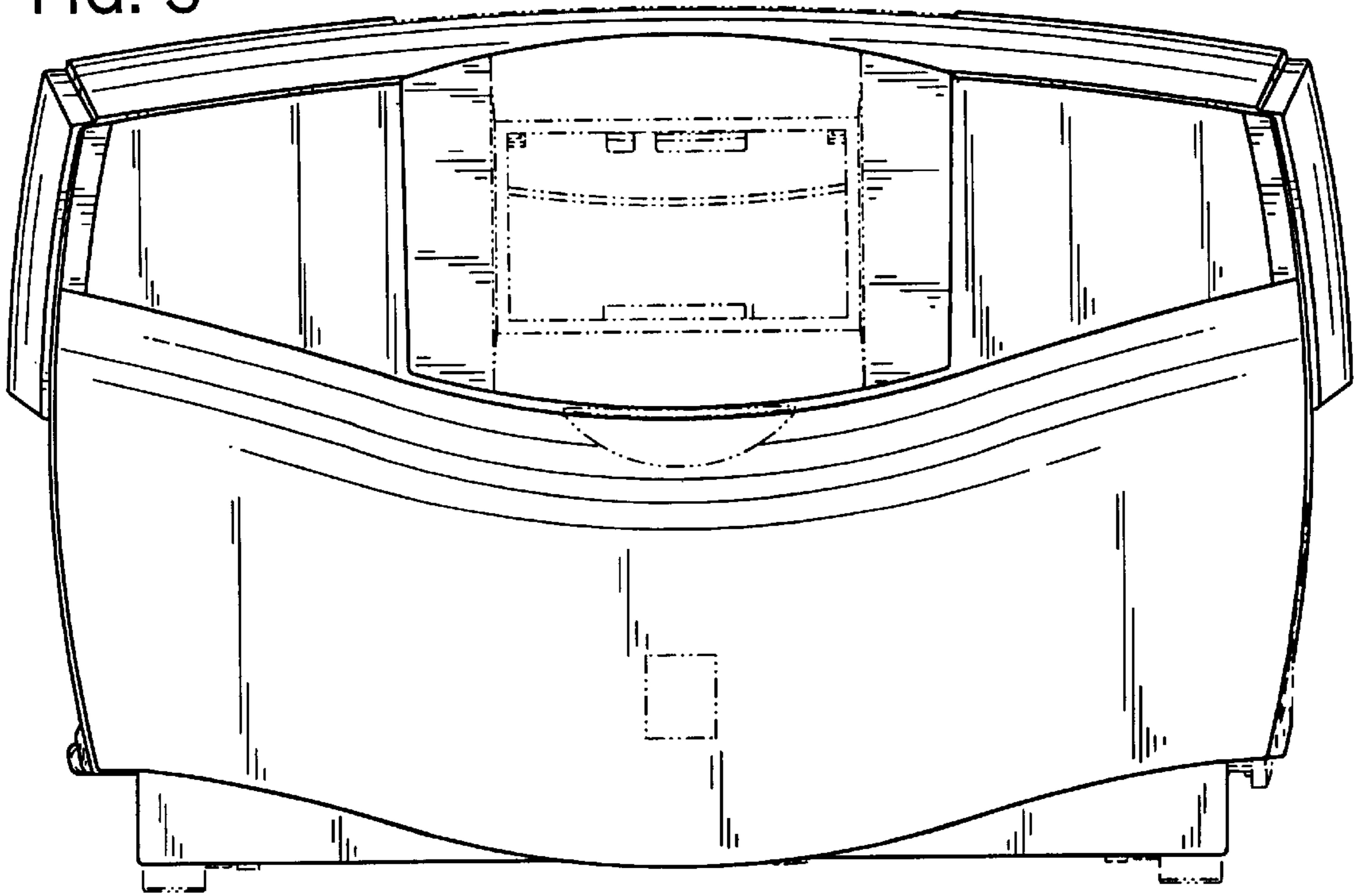


FIG. 4

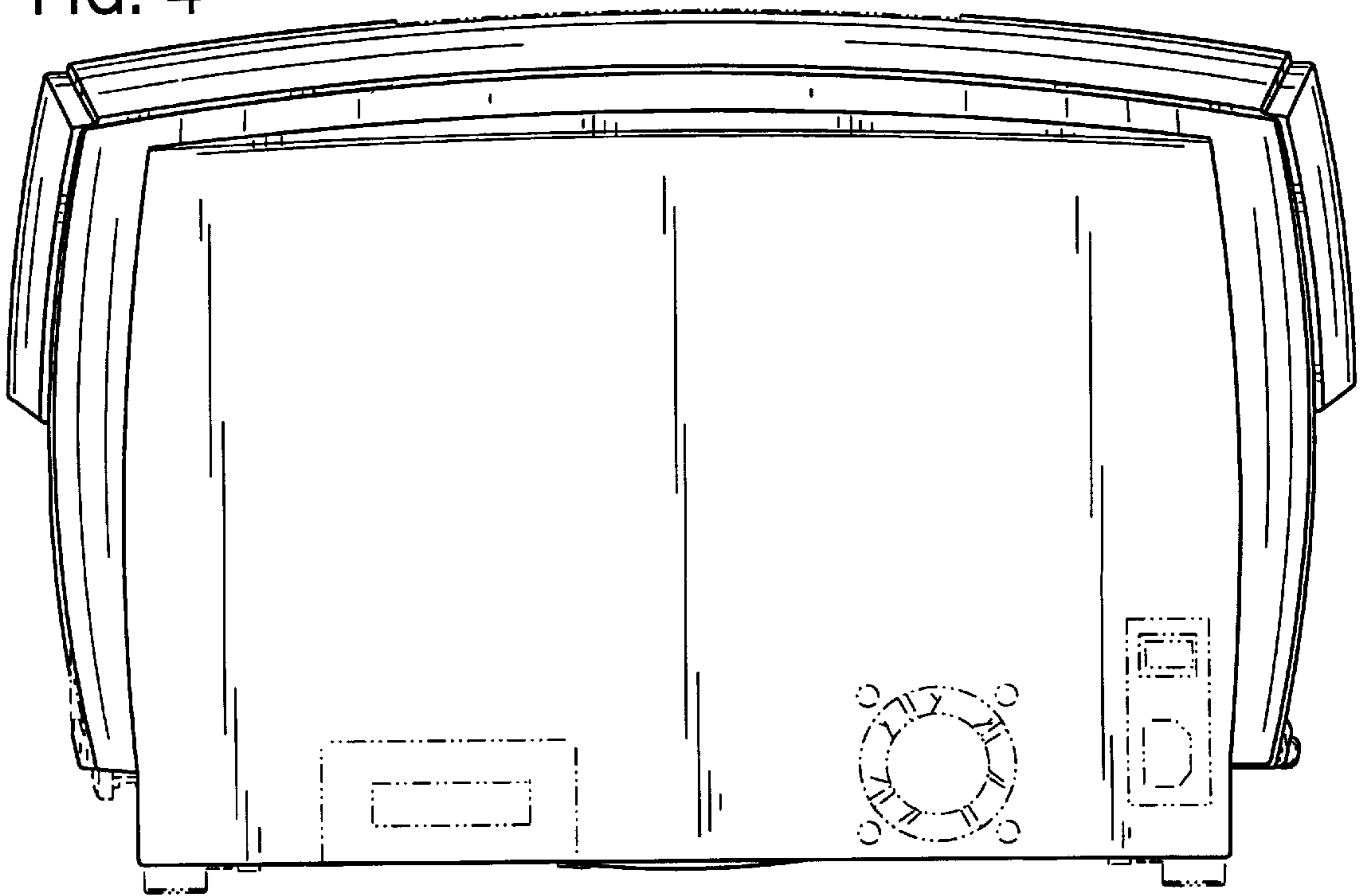


FIG. 5

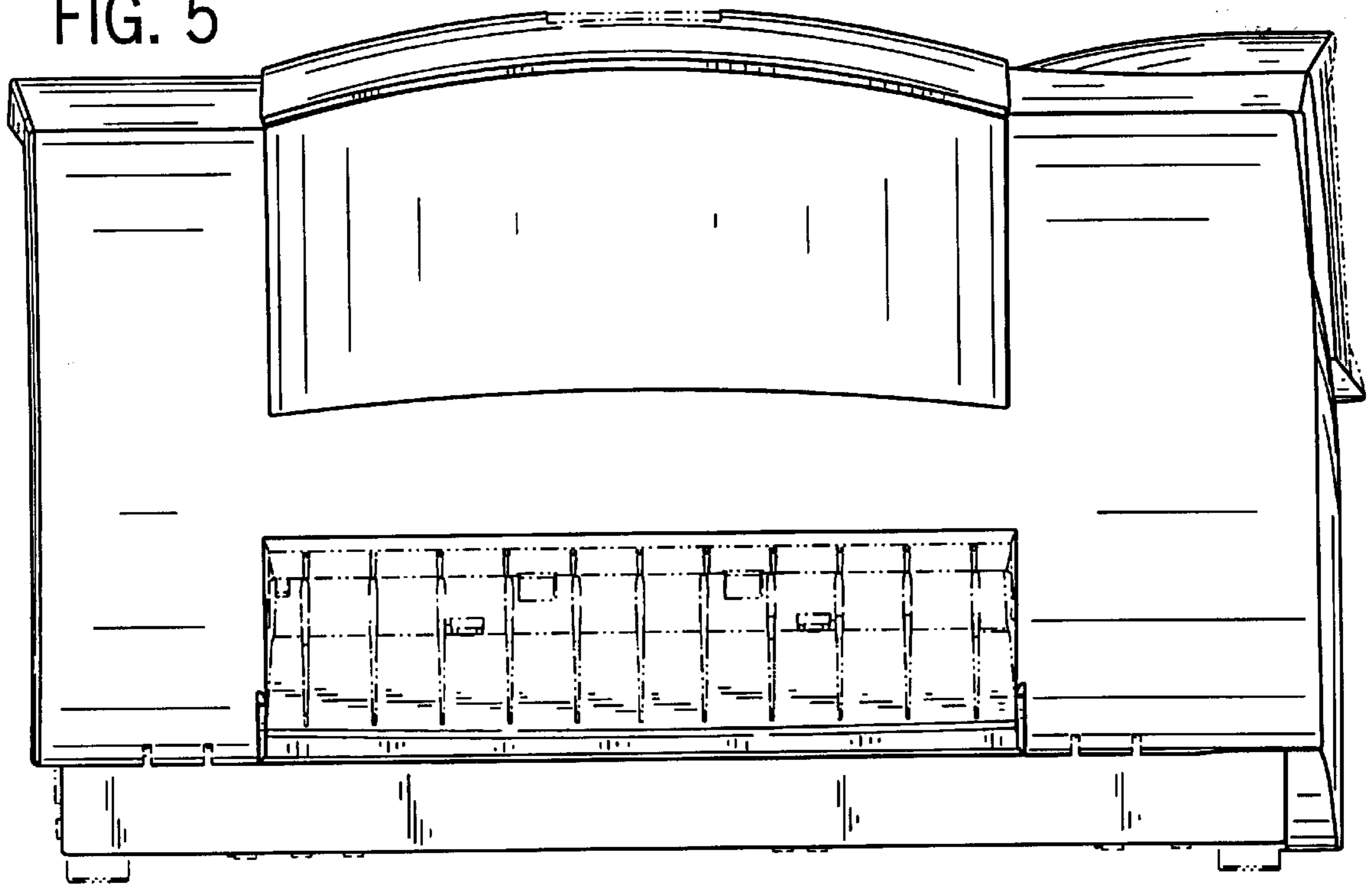


FIG. 6

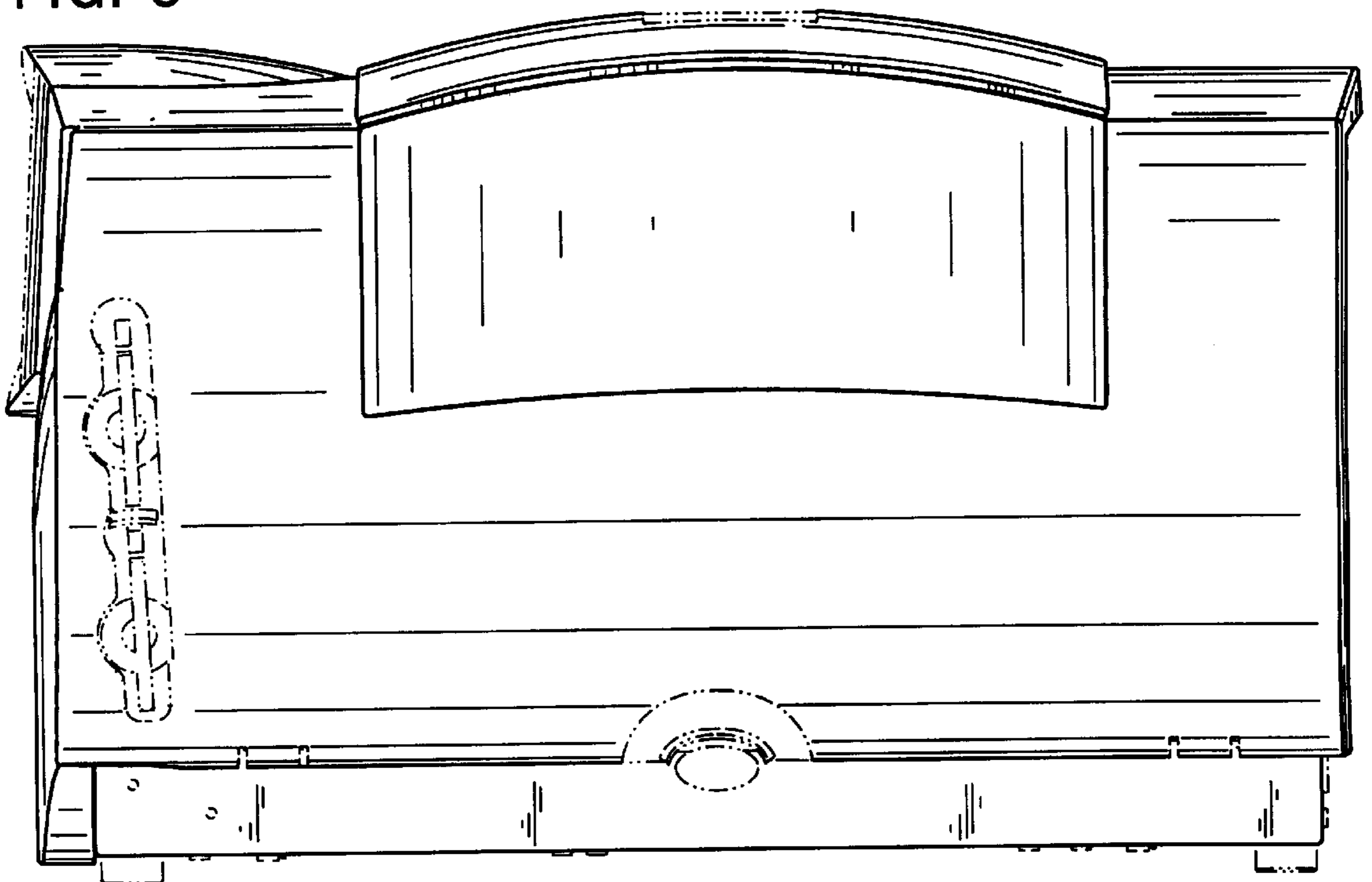


FIG. 7

