



US00D436616S

(12) **United States Design Patent**  
**Kaiser**

(10) **Patent No.:** **US D436,616 S**

(45) **Date of Patent:** **\*\* Jan. 23, 2001**

(54) **DRUMSTICK WITH SQUARE CROSS SECTIONAL HANDLE**

(76) **Inventor:** **Peter Michael Kaiser**, P.O. Box 916,  
Linden, CA (US) 95236

(\*\*) **Term:** **14 Years**

(21) **Appl. No.:** **29/118,272**

(22) **Filed:** **Feb. 8, 2000**

(51) **LOC (7) Cl.** ..... **17-04**

(52) **U.S. Cl.** ..... **D17/22; 84/422.4**

(58) **Field of Search** ..... **D17/22, 99; D21/405;**  
**84/422.4**

(56) **References Cited**

**U.S. PATENT DOCUMENTS**

- D. 393,276 \* 4/1998 Alvarado ..... D17/22
- 3,165,964 \* 1/1965 Stys et al. .... D17/22
- 4,462,296 \* 7/1984 Heiskell ..... 84/422.4
- 5,263,395 \* 11/1993 Phillips ..... 84/422.4

**FOREIGN PATENT DOCUMENTS**

- 4001403 \* 7/1990 (DE) ..... 84/422.4

**OTHER PUBLICATIONS**

Music Trades, Dec. 1987, p. 6 (pro-mark drumsticks).\*

\* cited by examiner

*Primary Examiner*—Adir Aronovich  
(74) *Attorney, Agent, or Firm*—Basil Travis

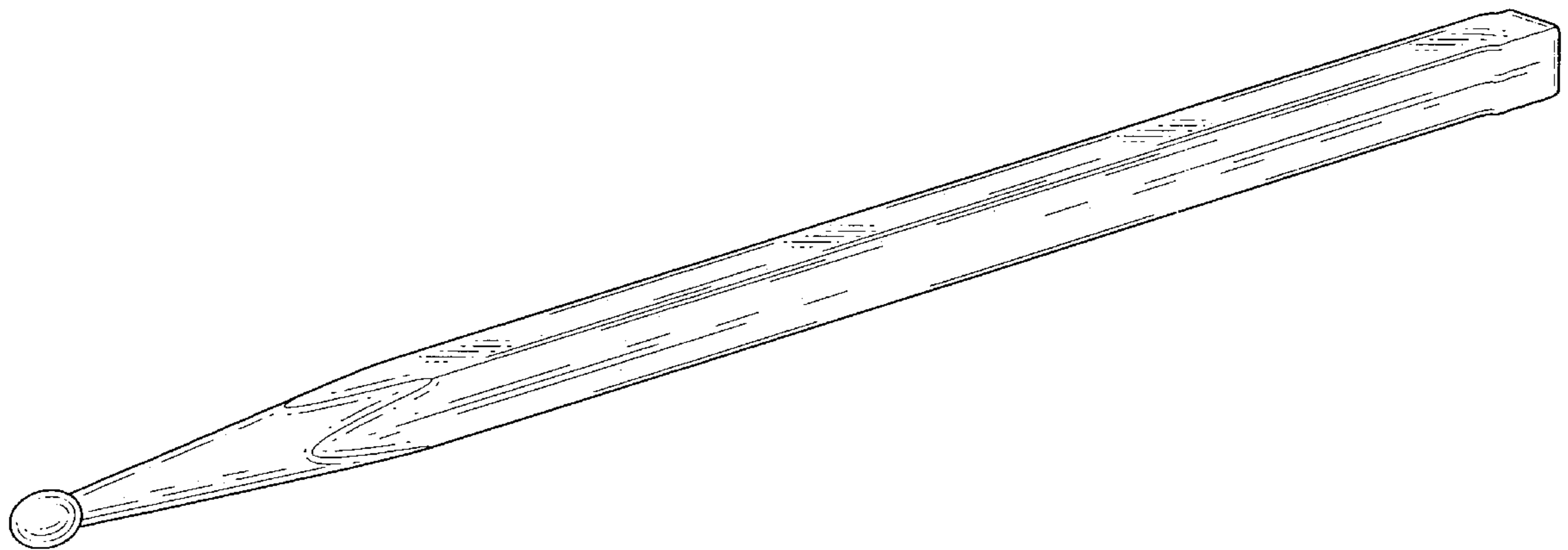
(57) **CLAIM**

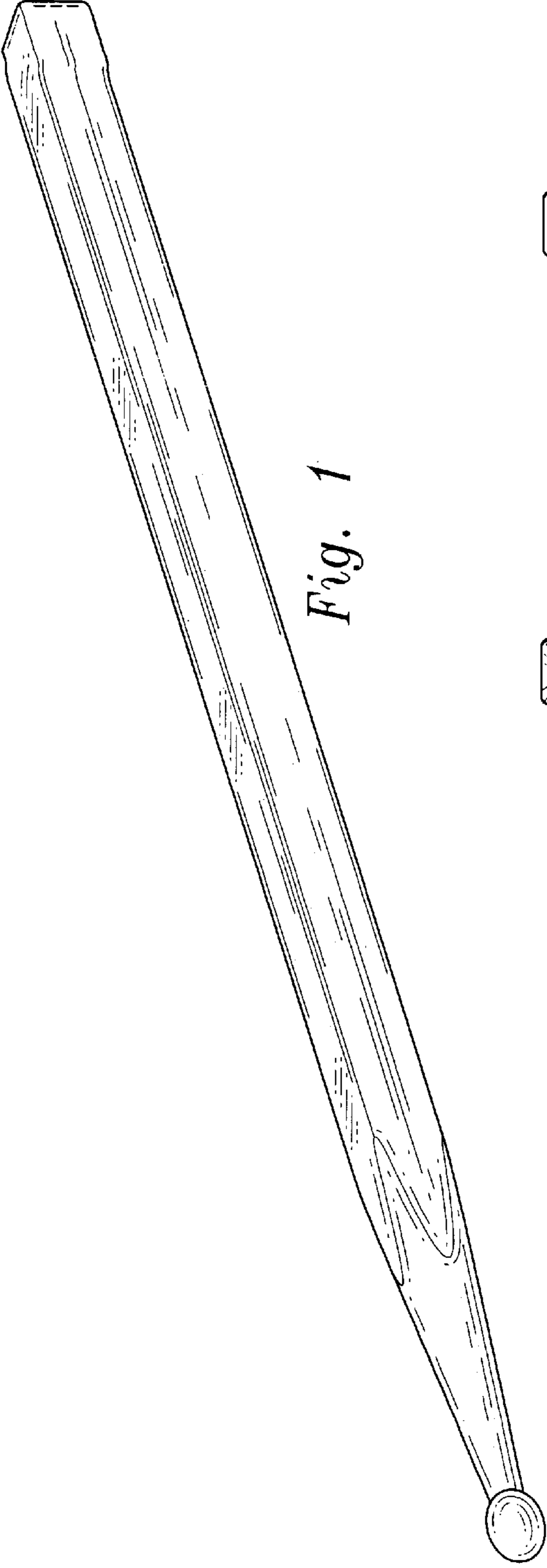
The ornamental design for a drumstick with square cross sectional handle, as shown and described.

**DESCRIPTION**

FIG. 1 is a perspective view of a drumstick with square cross sectional handle showing my new design;  
 FIG. 2 is a front elevational view;  
 FIG. 3 is a rear elevational view;  
 FIG. 4 is a side elevational view, the opposite side being a mirror image; and,  
 FIG. 5 is a top plan view, the bottom being a mirror image thereof.

**1 Claim, 1 Drawing Sheet**





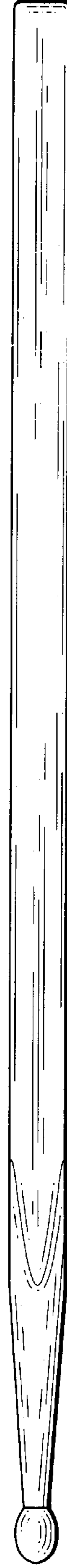
*Fig. 1*



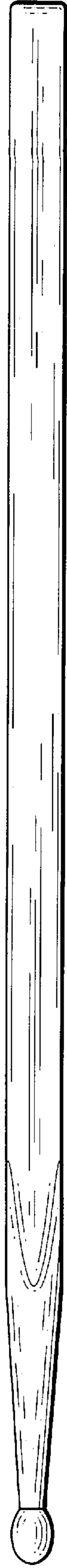
*Fig. 2*



*Fig. 3*



*Fig. 4*



*Fig. 5*