



US00D436614S

(12) **United States Design Patent**  
**Grimaldi**

(10) **Patent No.:** **US D436,614 S**

(45) **Date of Patent:** **\*\* Jan. 23, 2001**

(54) **EYEGLASS FRAME**

(76) **Inventor:** **Joel A. Grimaldi**, 6 Auburndale Dr.,  
Pittsford, NY (US) 14534

(\*\*) **Term:** **14 Years**

(21) **Appl. No.:** **29/115,501**

(22) **Filed:** **Dec. 15, 1999**

**Related U.S. Application Data**

(62) Division of application No. 29/100,448, filed on Feb. 11,  
1999, now Pat. No. Des. 419,175.

(51) **LOC (7) Cl.** ..... **16-06**

(52) **U.S. Cl.** ..... **D16/321; D16/326**

(58) **Field of Search** ..... D16/101, 300-330,  
D16/335; 351/41, 44, 51, 52, 111, 158;  
2/447, 448

(56) **References Cited**

**U.S. PATENT DOCUMENTS**

- D. 124,271 \* 12/1940 Ehrlich ..... D16/321
- D. 169,570 \* 5/1953 van Seekamm ..... D16/321
- D. 204,320 \* 4/1966 Carmichael ..... D16/321
- D. 321,702 \* 11/1991 Jennings ..... D16/306
- D. 354,763 \* 1/1995 Wang ..... D16/306
- D. 371,382 \* 7/1996 Berthet-Bondet ..... D16/326

- D. 391,598 \* 3/1998 Simioni ..... D16/321
- D. 400,229 \* 10/1998 Arnette ..... D16/321
- 3,689,136 \* 9/1972 Atamian ..... 351/41

\* cited by examiner

*Primary Examiner*—Raphael Barkai

(74) *Attorney, Agent, or Firm*—Lawrence P. Trapani, P.C.

(57) **CLAIM**

The ornamental design for an eyeglass frame, as shown and described.

**DESCRIPTION**

FIG. 1 is a front perspective view of an eyeglass frame showing my new design;

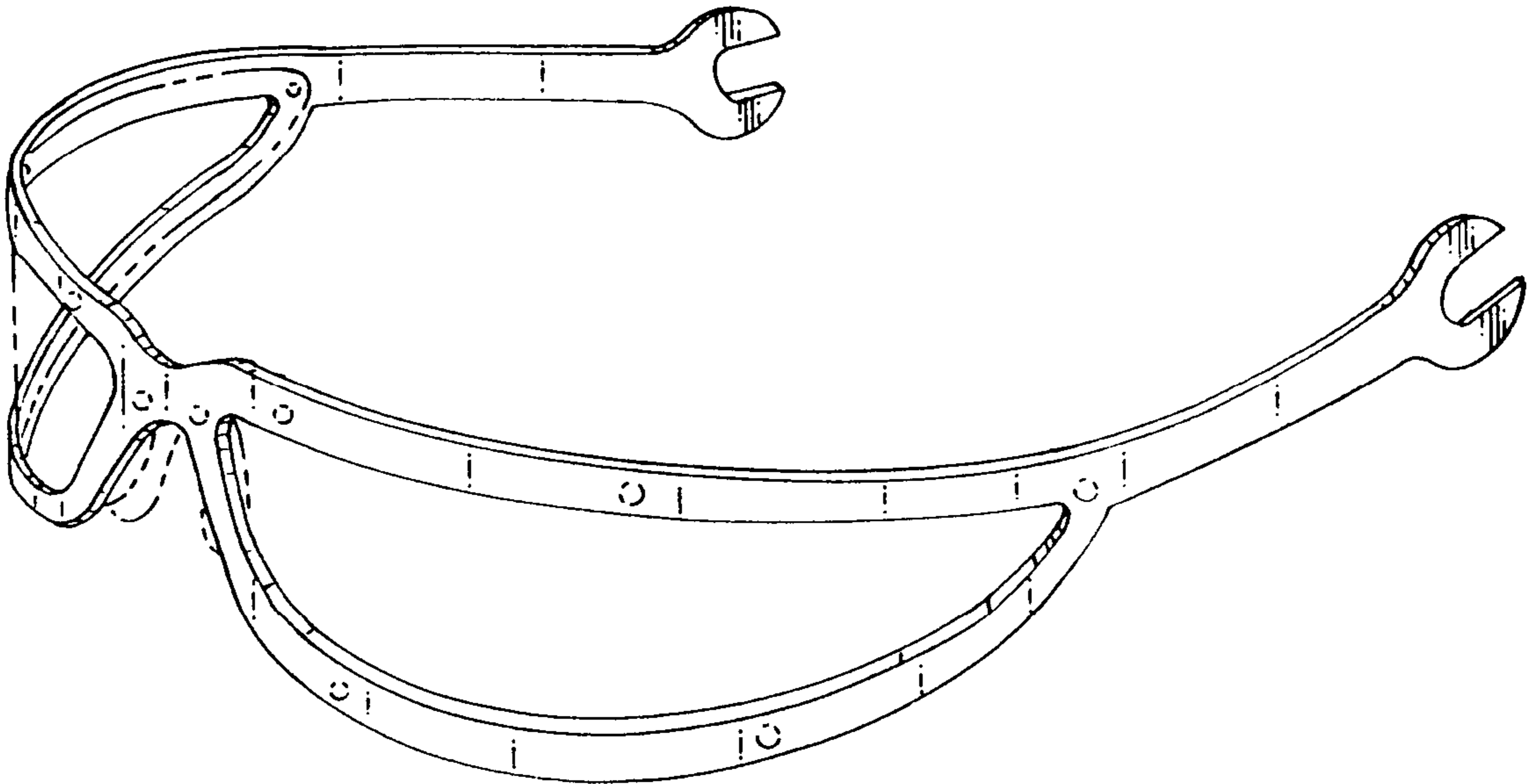
FIG. 2 is a rear perspective view thereof;

FIG. 3 is a front perspective view of a first modified embodiment of the design shown in FIGS. 1-2, the modification concerning the design at the bows of the frames; and,

FIG. 4 is a front perspective view of a second modified embodiment of the design shown in FIGS. 1-2, the modification concerning the design at the bows of the frames.

The broken lines shown in FIGS. 1 through 4 are for illustrative purposes only and form no part of the claimed design.

**1 Claim, 2 Drawing Sheets**



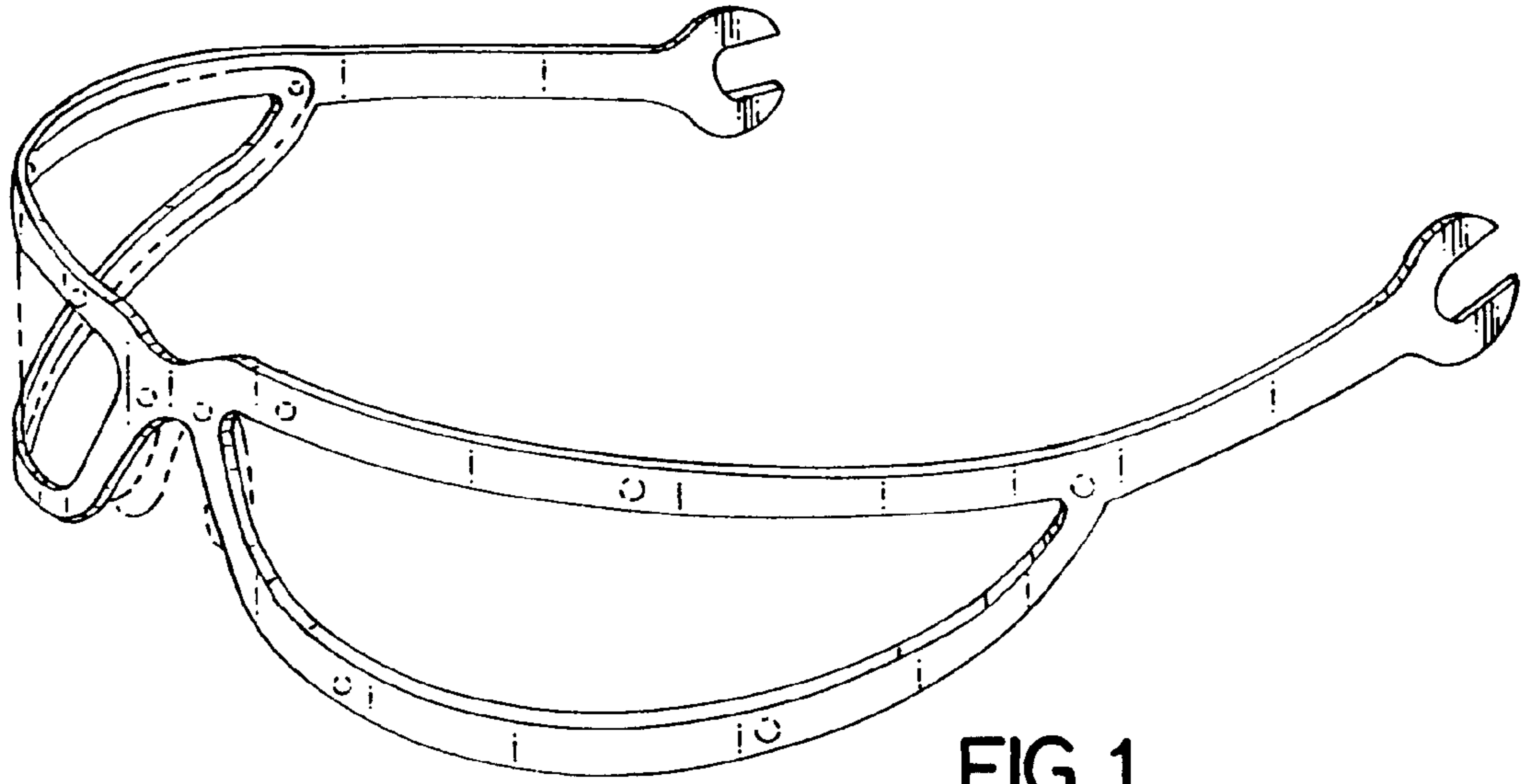


FIG. 1

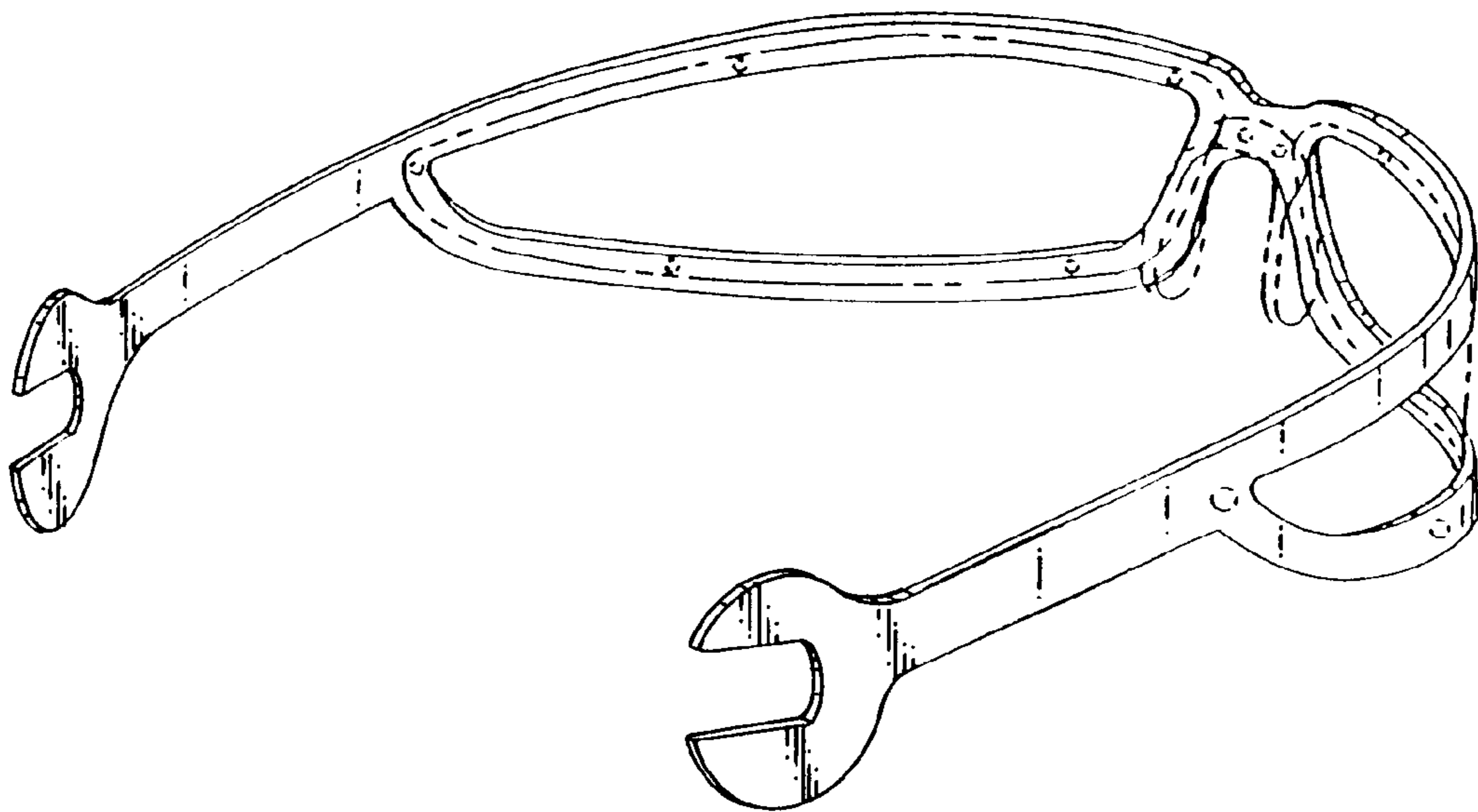


FIG. 2

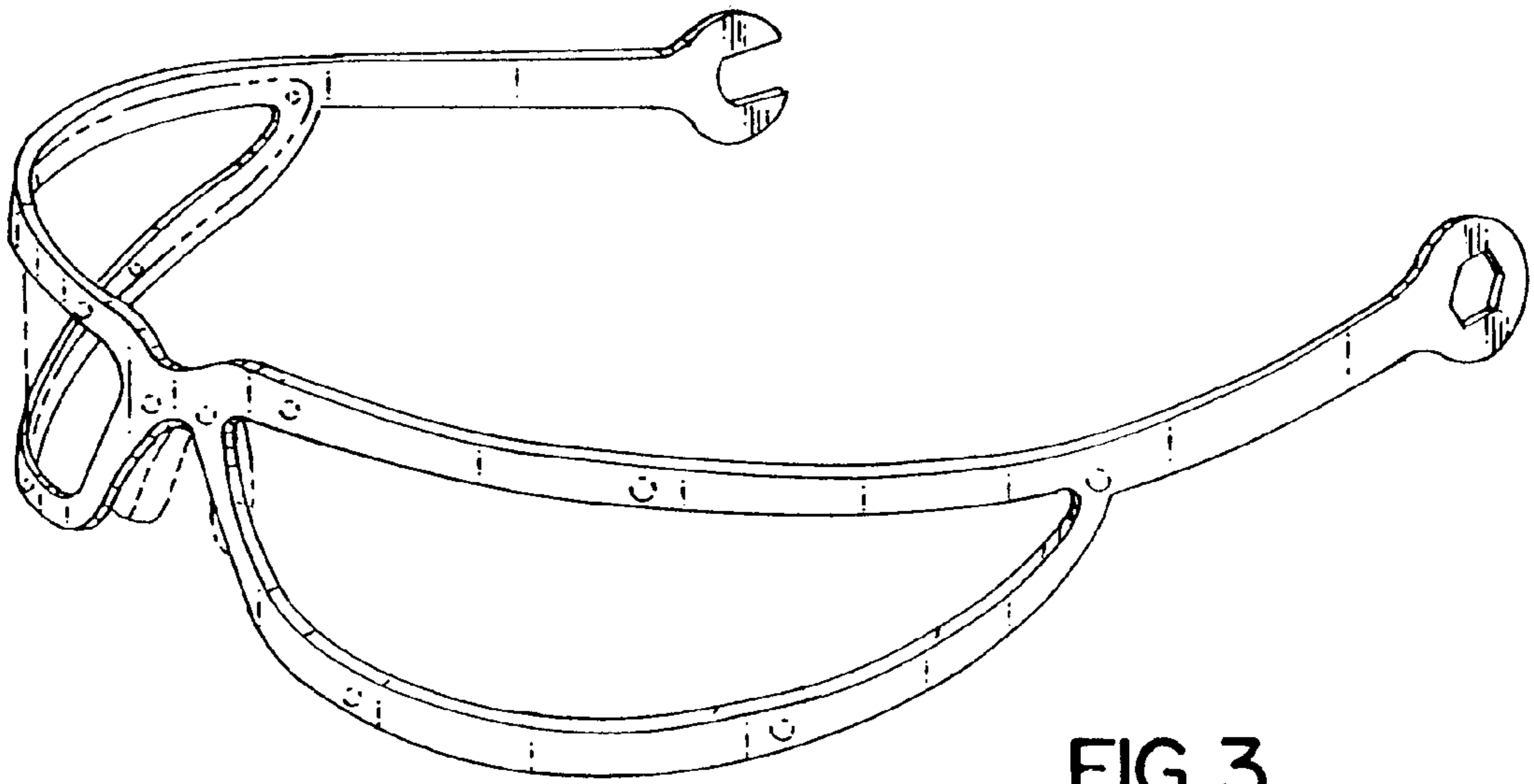


FIG.3

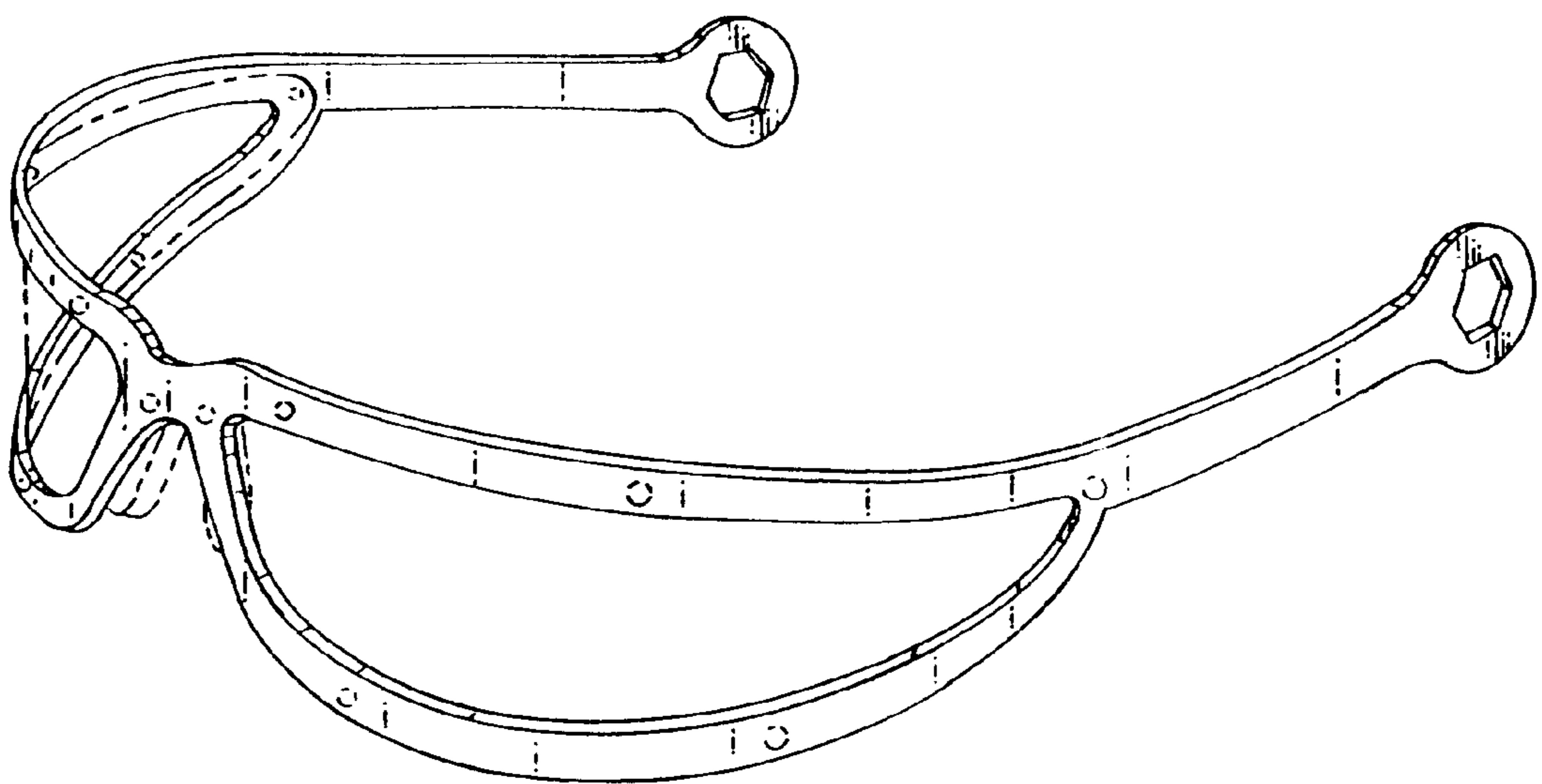


FIG.4