



US00D436612S

(12) **United States Design Patent**
Geng

(10) **Patent No.:** **US D436,612 S**

(45) **Date of Patent:** **** Jan. 23, 2001**

(54) **OMNI-DIRECTIONAL CAMERA**

(75) Inventor: **Zheng Jason Geng**, Kensington, MD (US)

(73) Assignee: **Genex Technologies, Inc.**, Kensington, MD (US)

(**) Term: **14 Years**

(21) Appl. No.: **29/110,584**

(22) Filed: **Sep. 9, 1999**

(51) **LOC (7) Cl.** **16-02**

(52) **U.S. Cl.** **D16/232; D14/423**

(58) **Field of Search** **D14/423; D16/200, D16/201, 208, 221, 225, 232; 348/373-376; 353/115, 119, 122**

(56) **References Cited**

U.S. PATENT DOCUMENTS

D. 264,581	*	5/1982	Mobius	D14/423
D. 364,388	*	11/1995	Miyahara	D16/208
D. 386,157	*	11/1997	Hasegawa	D14/423
D. 411,833	*	7/1999	Iwakawa et al.	D16/208
5,978,028	*	11/1999	Yamane	348/373

* cited by examiner

Primary Examiner—Adir Aronovich

(74) *Attorney, Agent, or Firm*—Ronald P. Kananen; Rader, Fishman & Grauer

(57) **CLAIM**

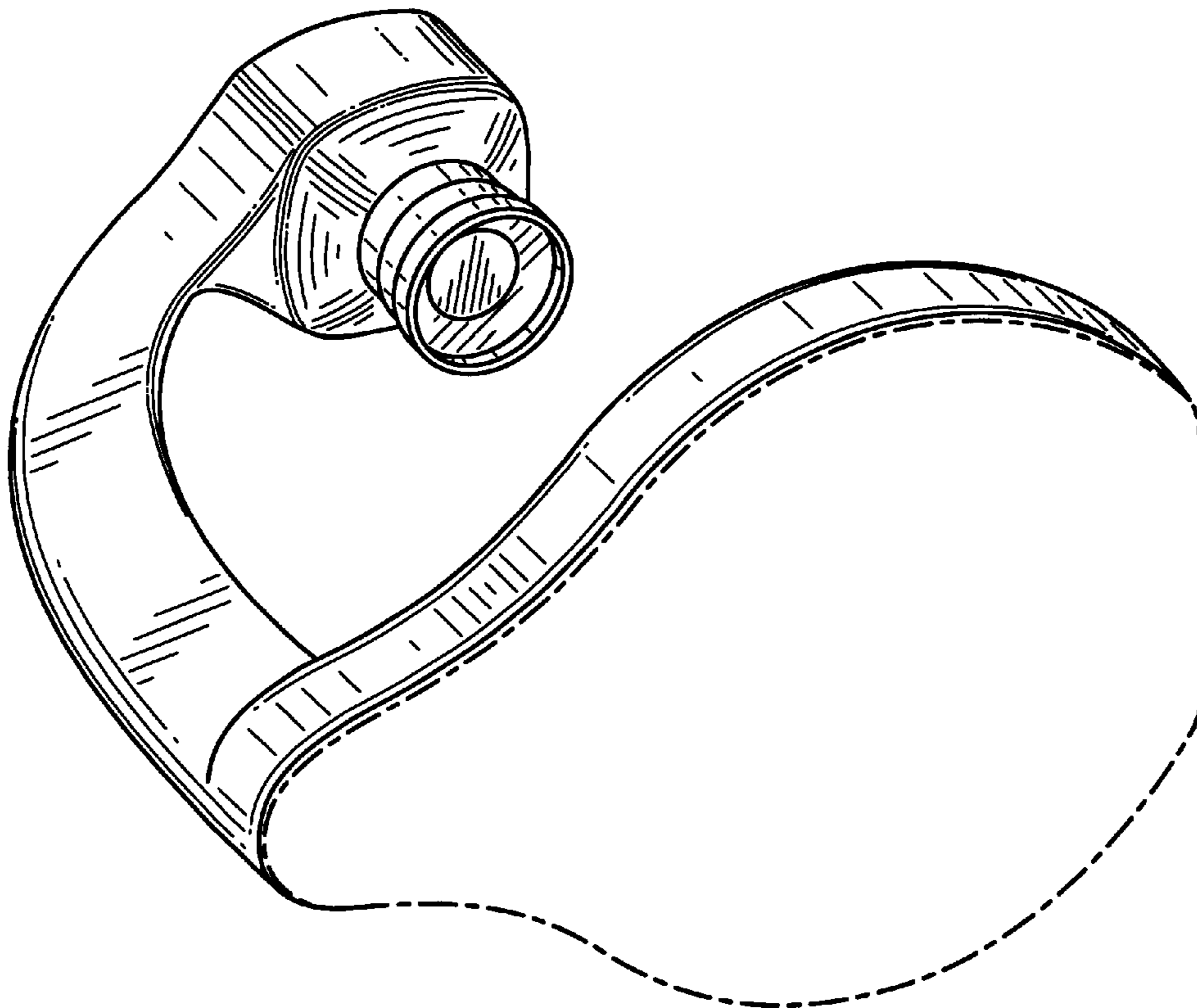
The ornamental design for an omni-directional camera, as shown and described.

DESCRIPTION

The camera design disclosed herein includes an imaging unit, a reflector for providing an omni-directional view to the imaging unit and a housing for mounting and supporting the reflector and providing an arm supporting the imaging unit in an appropriate position and orientation over the reflector. FIG. 1 is a side elevational view of an omni-directional camera showing my new design, the undisclosed opposite view being a mirror image; FIG. 2 is a front elevational view thereof; FIG. 3 is a rear elevational view thereof; FIG. 4 is a top plan view thereof; FIG. 5 is a bottom plan view thereof; FIG. 6 is a top perspective view thereof; and, FIG. 7 is a bottom perspective view thereof.

The broken line showing of the interior underside of the omni-directional camera shown in FIGS. 5 and 7 is for environmental purposes only and forms no part of the claimed design.

1 Claim, 4 Drawing Sheets



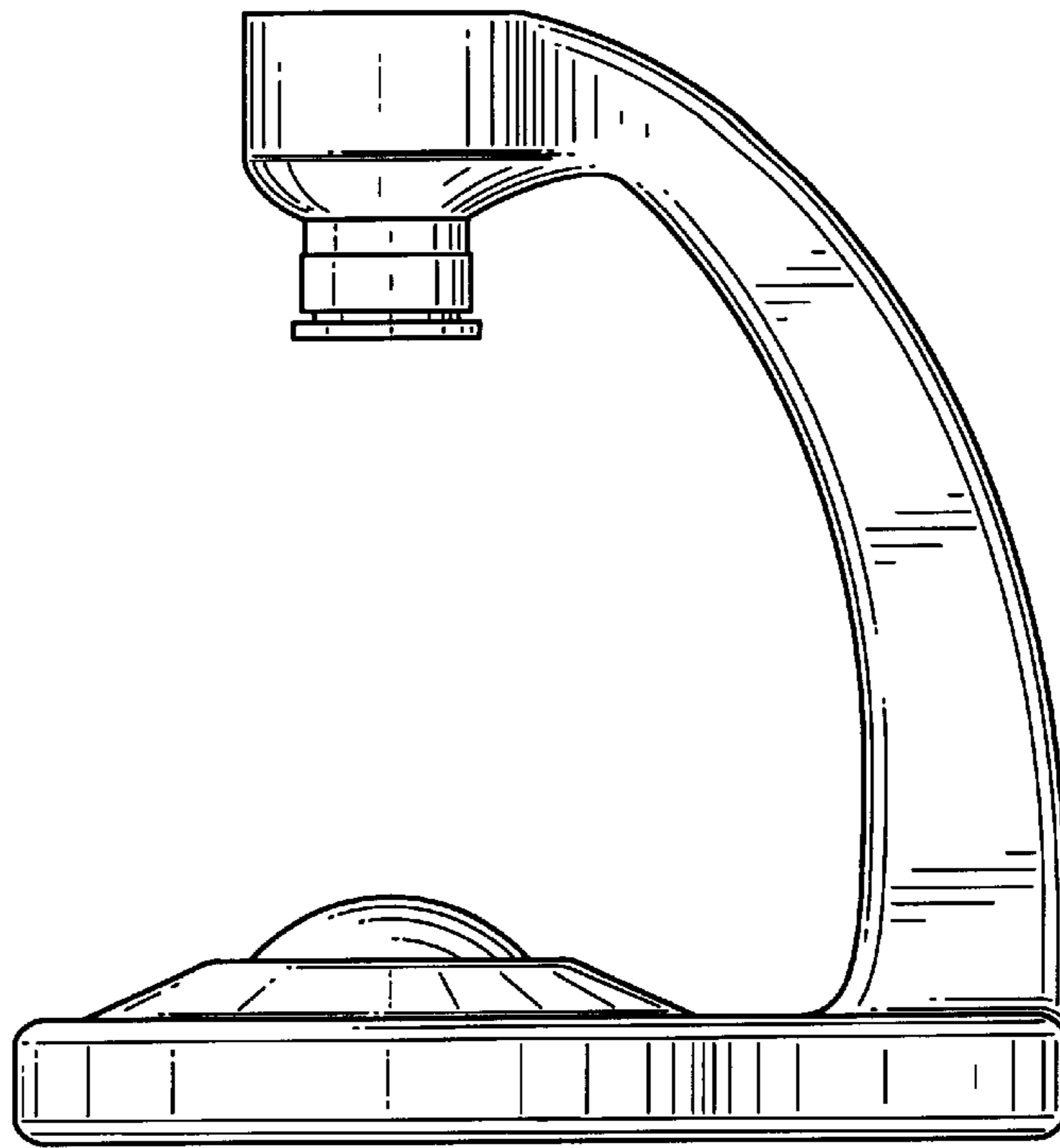


FIG. 1

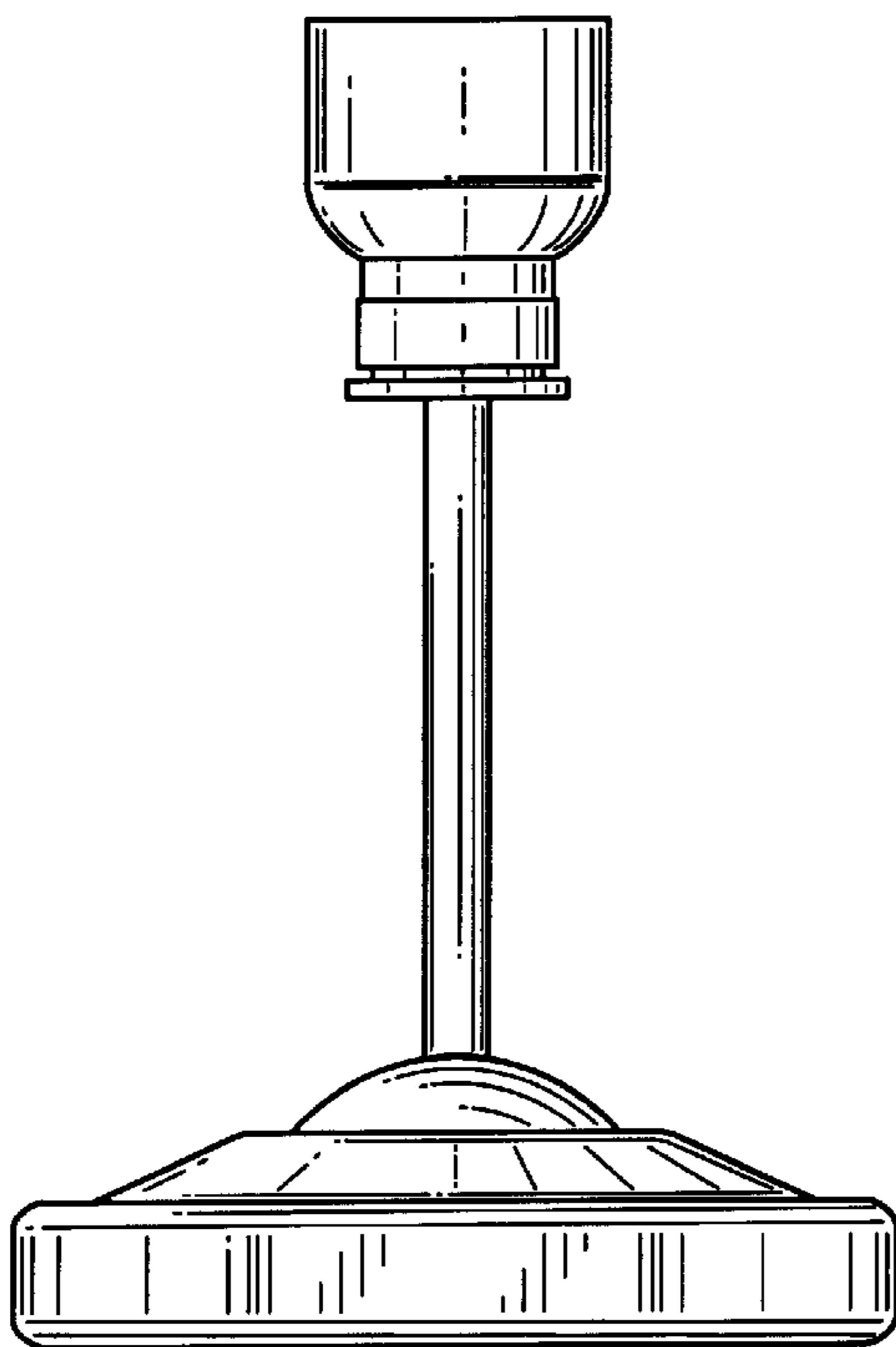


FIG. 2

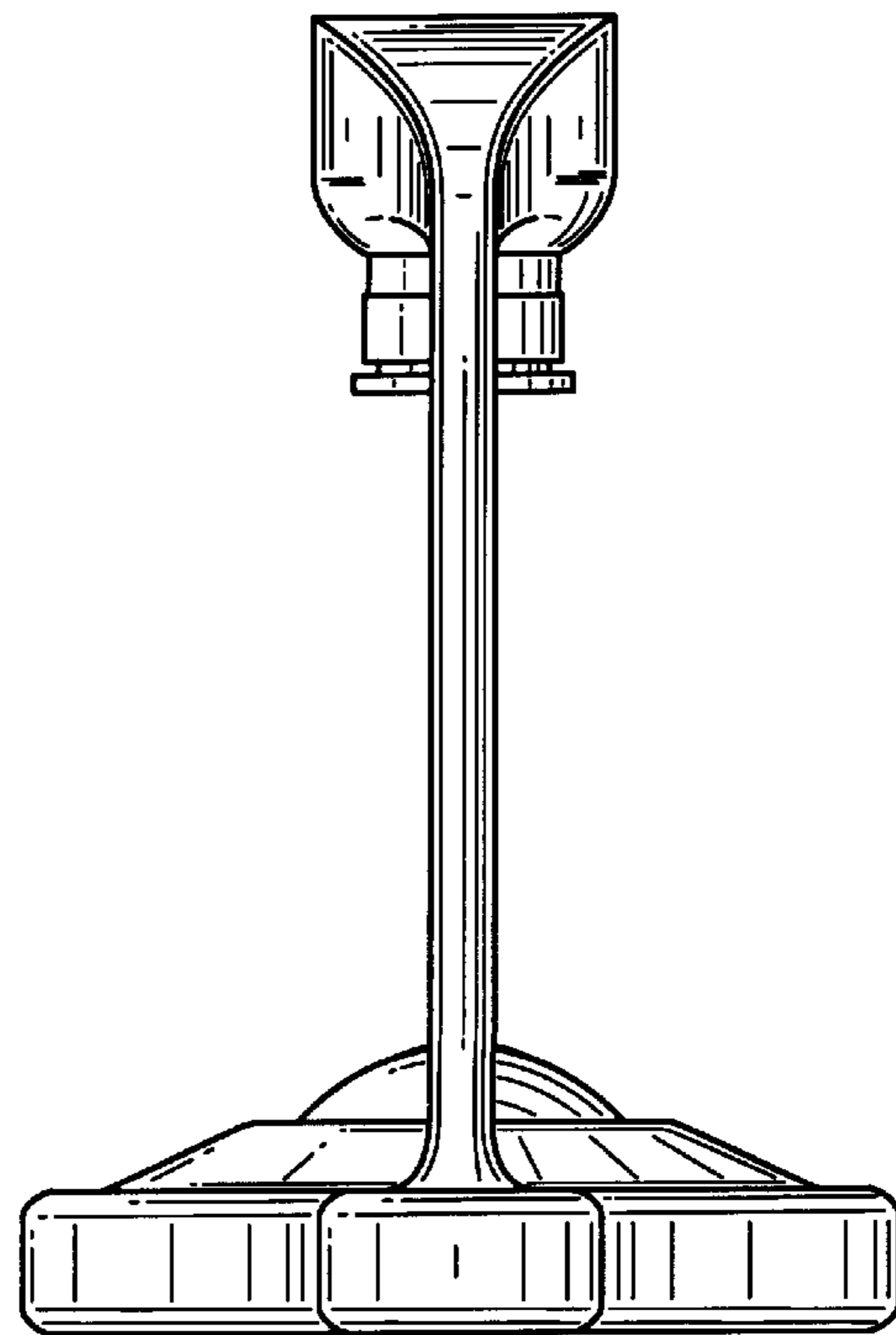


FIG. 3

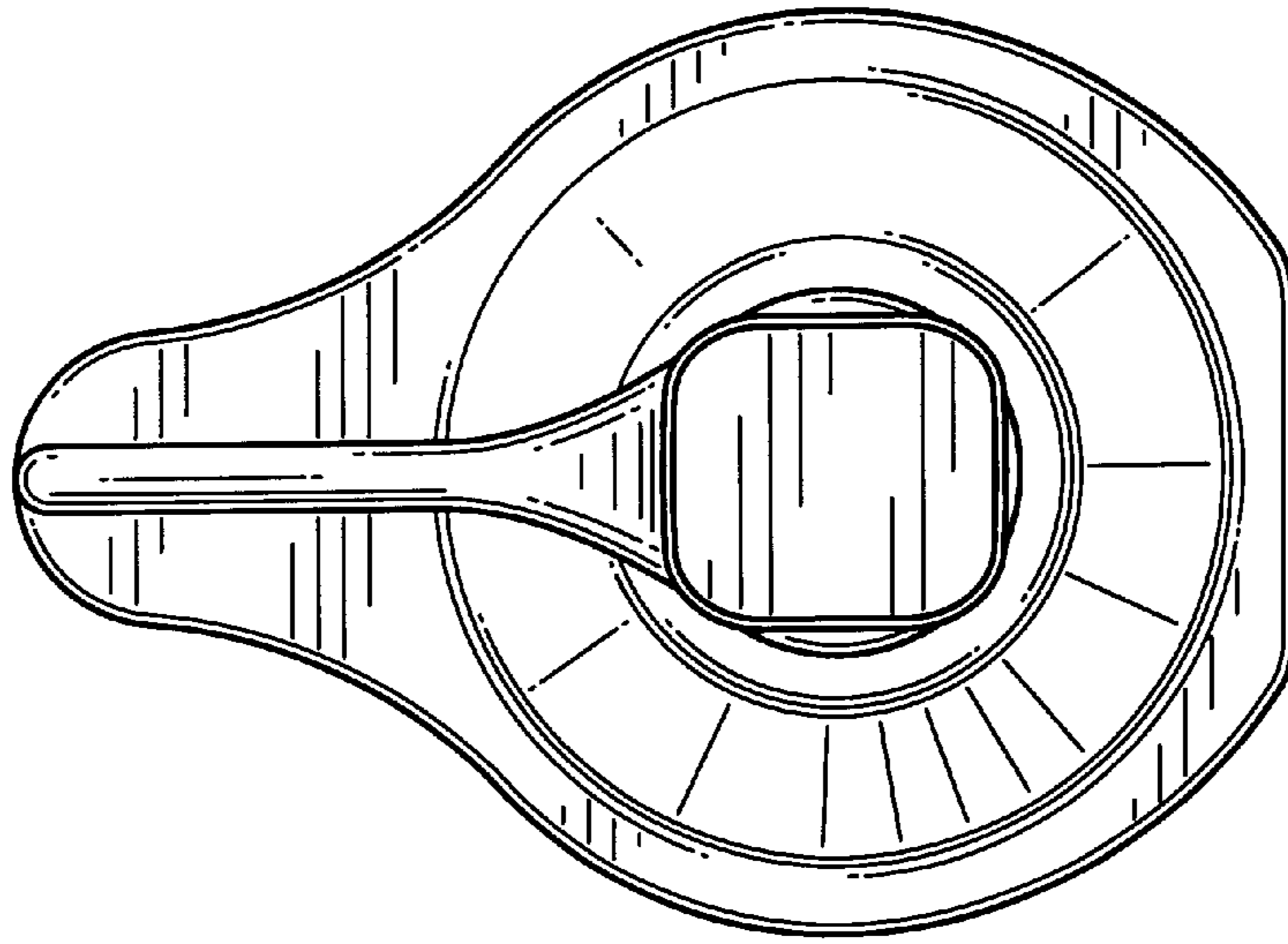


FIG. 4

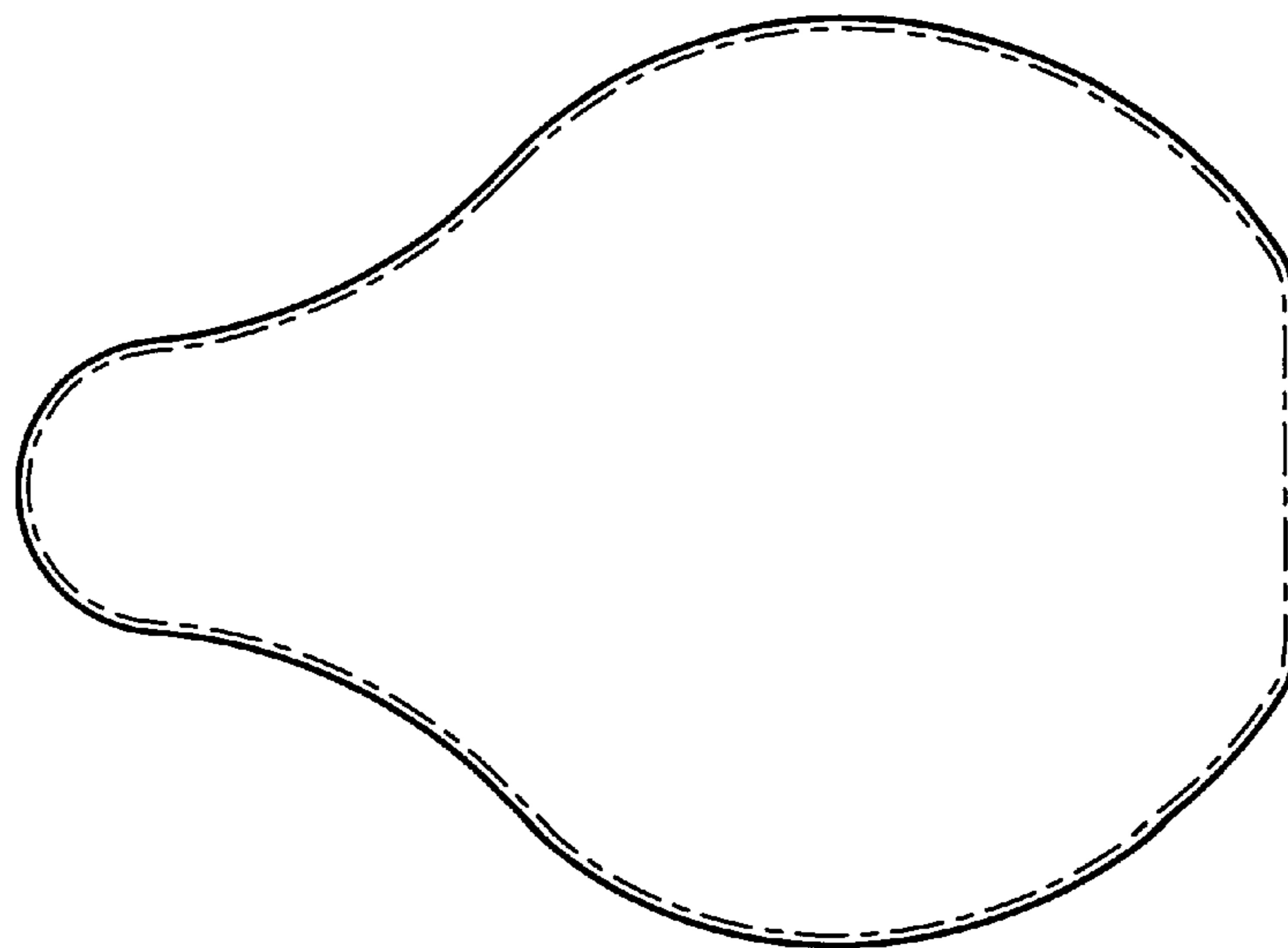


FIG. 5

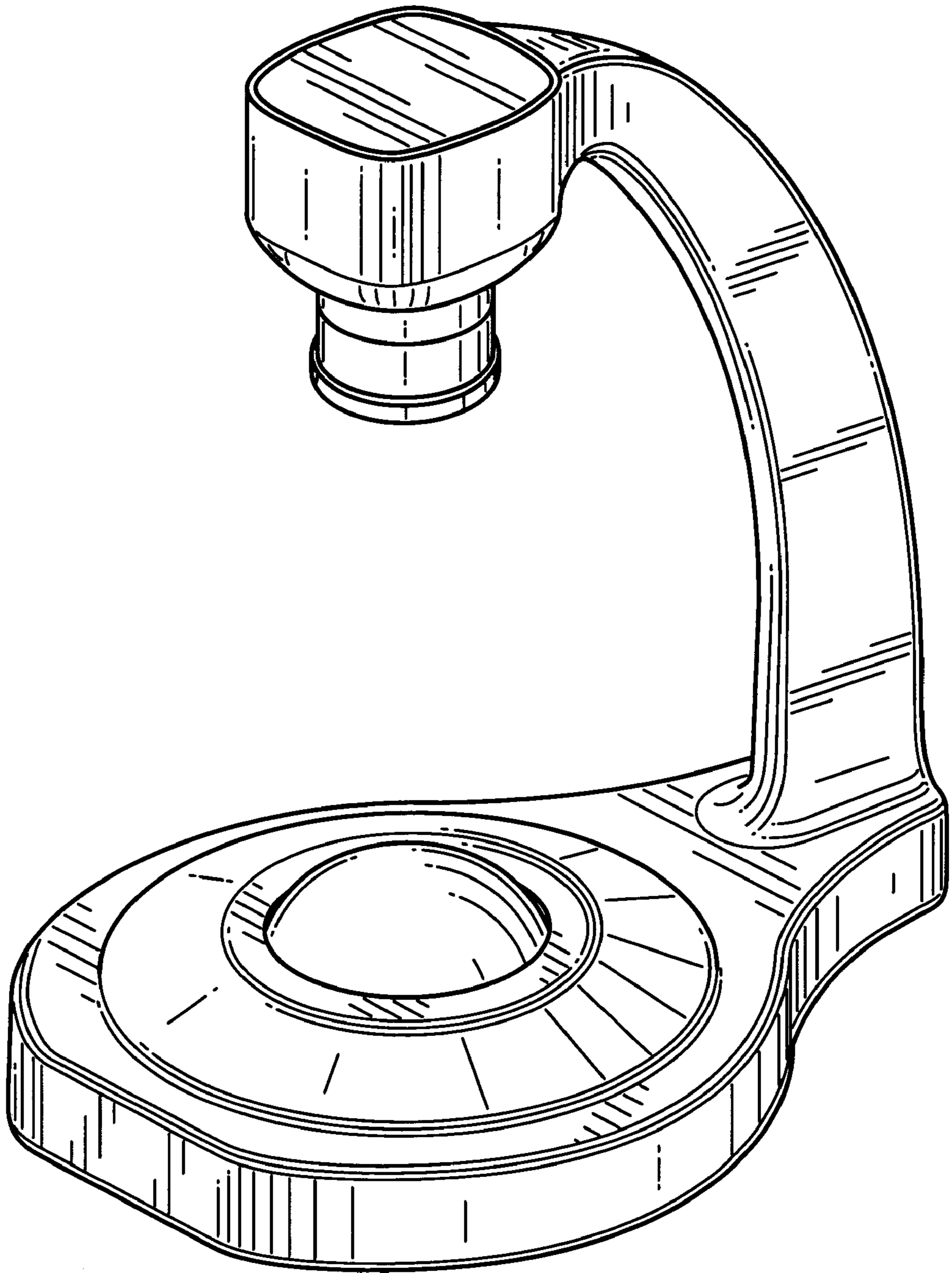


FIG. 6

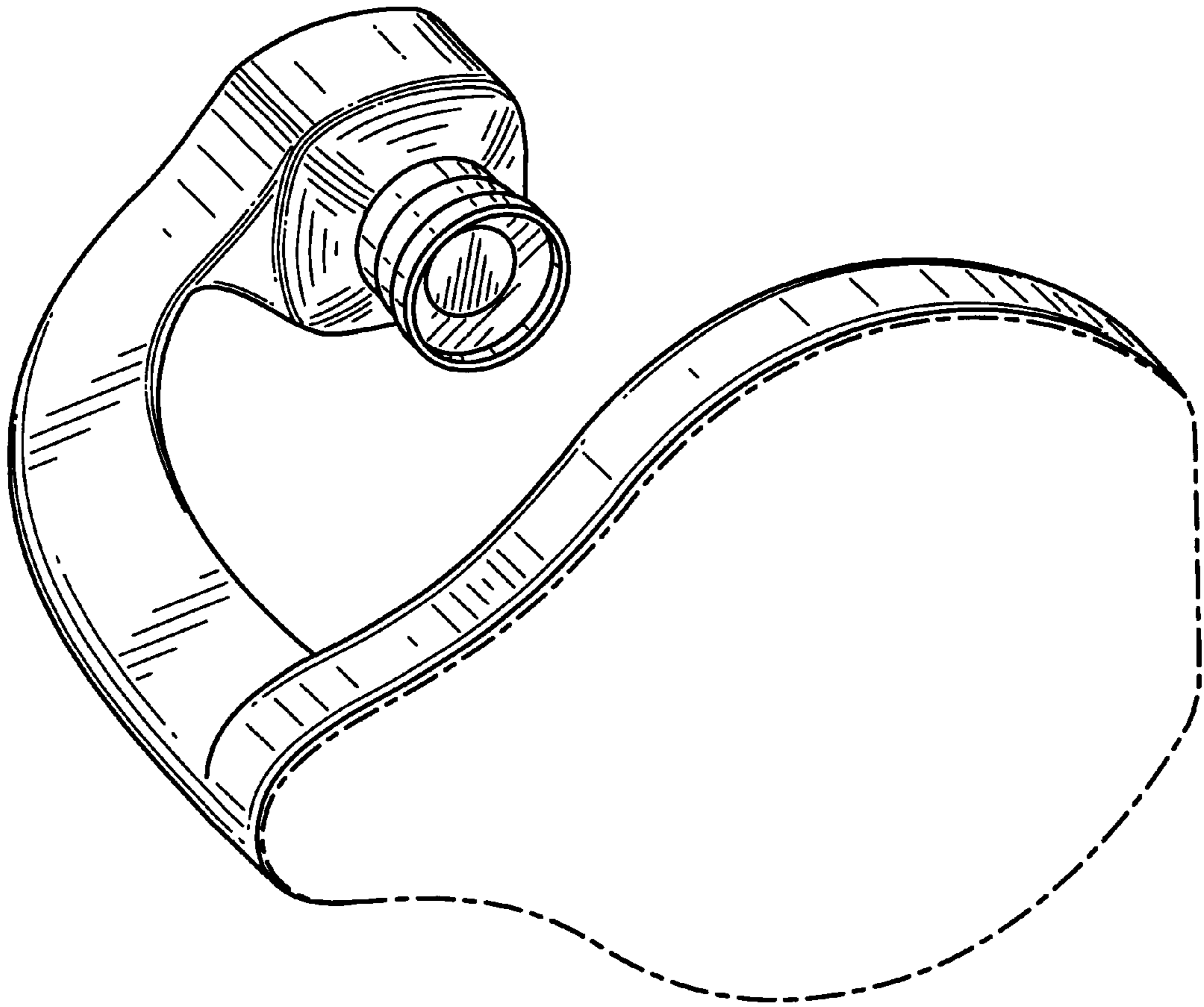


FIG. 7

UNITED STATES PATENT AND TRADEMARK OFFICE
CERTIFICATE OF CORRECTION

PATENT NO. : Des. 436,612 S
DATED : January 23, 2001
INVENTOR(S) : Zheng Jason Geng

Page 1 of 1

It is certified that error appears in the above-identified patent and that said Letters Patent is hereby corrected as shown below:

Title page.

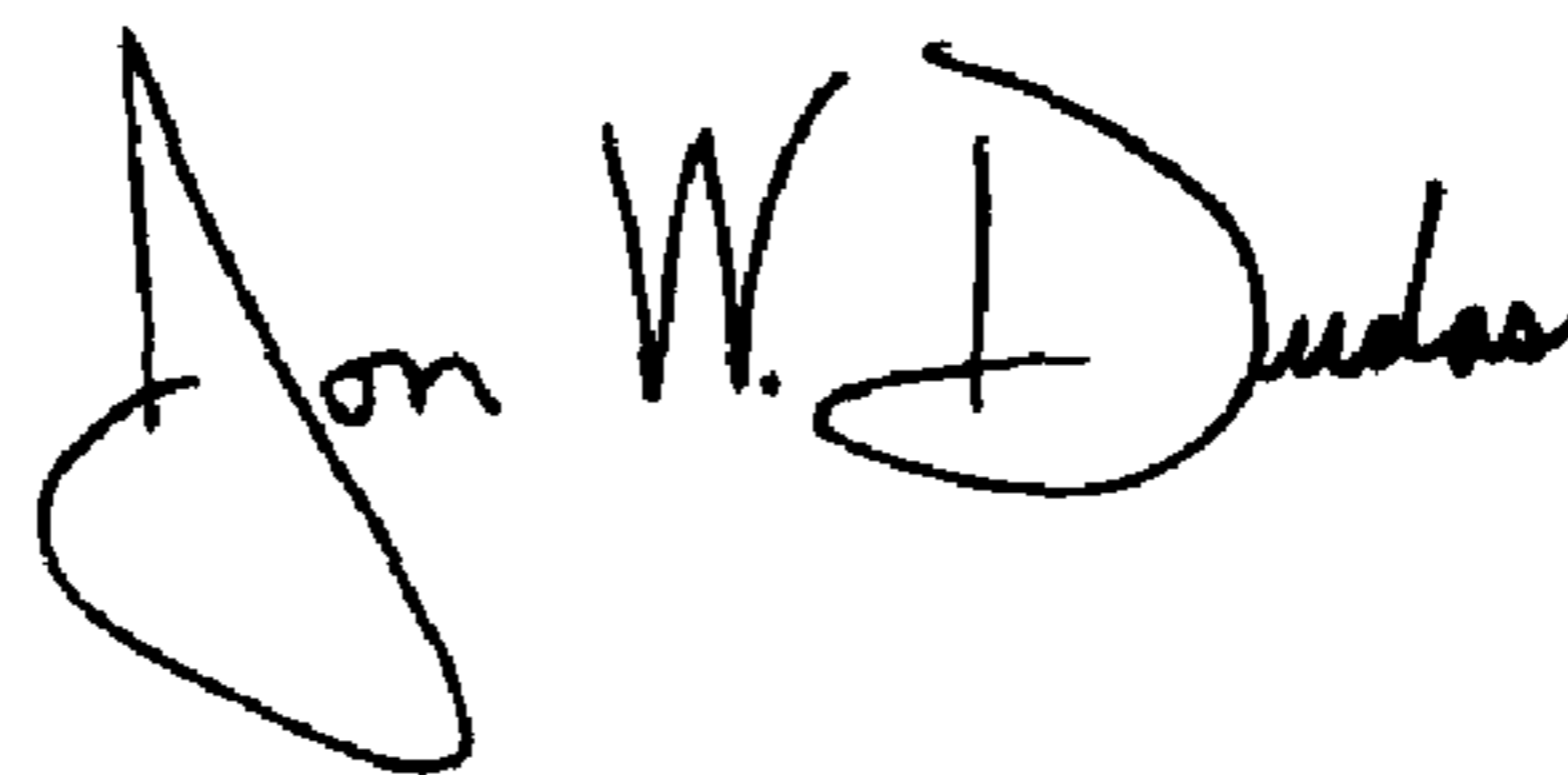
Item [54], please add after title

-- STATEMENT REGARDING FEDERALLY SPONSORED RESEARCH OR
DEVELOPMENT

This invention was made with Government support under contract DASG60-98-C-0072 awarded by U.S. Army Space and Missile Defense Command. The Government has certain rights in the invention. The U.S. Government has a paid-up license in this invention and the right in limited circumstances to require the patent owner to license others on reasonable terms as provided for by the terms of the above-identified contract. --

Signed and Sealed this

Twelfth Day of October, 2004

A handwritten signature in black ink that reads "Jon W. Dudas". The signature is written in a cursive style with a large, stylized initial "J".

JON W. DUDAS

Director of the United States Patent and Trademark Office