



US00D436611S

(12) **United States Design Patent**
Yoshida et al.

(10) **Patent No.:** **US D436,611 S**

(45) **Date of Patent:** **** Jan. 23, 2001**

(54) **FRONT PORTION OF CAMERA**

(75) Inventors: **Hidefumi Yoshida; Masazumi Imai,**
both of Sakai; **Takahiro Kinoshita,**
Hirakata, all of (JP)

(73) Assignee: **Minolta Co., Ltd.,** Osaka (JP)

(**) Term: **14 Years**

(21) Appl. No.: **29/107,662**

(22) Filed: **Jul. 7, 1999**

(30) **Foreign Application Priority Data**

Jan. 8, 1999 (JP) 11-382
Jan. 8, 1999 (JP) 11-384

(51) **LOC (7) Cl.** **16-05**

(52) **U.S. Cl.** **D16/219; D16/208; D16/209**

(58) **Field of Search** **D16/200, 202,**
D16/208, 209, 217, 218, 219, 237; 396/439,
535-541

(56) **References Cited**

U.S. PATENT DOCUMENTS

D. 257,982 * 1/1981 Maitani D16/212
D. 257,983 * 1/1981 Maitani D16/209
D. 386,773 * 11/1997 Smithborne D16/209
D. 389,849 * 1/1998 Kim D16/209
D. 410,019 * 5/1999 Shimobayashi et al. D16/209
D. 415,511 * 10/1999 Funakoshi et al. D16/209
4,557,574 * 12/1985 Kohno et al. 396/448
5,649,235 * 7/1997 Ando et al. 396/6

OTHER PUBLICATIONS

'97 Japan Camera Show catalogue, vol. 113, Feb. 28, 1997,
p. 95.

* cited by examiner

Primary Examiner—Adir Aronovich

(74) *Attorney, Agent, or Firm*—Burns, Doane, Swecker &
Mathis, LLP

(57) **CLAIM**

The ornamental design for a front portion of camera, as
shown and described.

DESCRIPTION

FIG. 1 is a front perspective view of front portion of camera
showing a first embodiment of our new design;

FIG. 2 is a rear perspective view thereof;

FIG. 3 is a front view thereof;

FIG. 4 is a rear view thereof;

FIG. 5 is a top view thereof;

FIG. 6 is a bottom view thereof;

FIG. 7 is a left side view thereof;

FIG. 8 is a right side view thereof;

FIG. 9 is a perspective view showing use thereof;

FIG. 10 is a front perspective view of front portion of camera
showing a second embodiment of our design;

FIG. 11 is a rear perspective view thereof;

FIG. 12 is a front view thereof;

FIG. 13 is a rear view thereof;

FIG. 14 is a top view thereof;

FIG. 15 is a bottom view thereof;

FIG. 16 is a left side view thereof;

FIG. 17 is a right side view thereof; and,

FIG. 18 is a perspective view showing use thereof.

The portion of the camera shown in broken lines is for
illustrative only and forms no part of the claimed design.

1 Claim, 8 Drawing Sheets

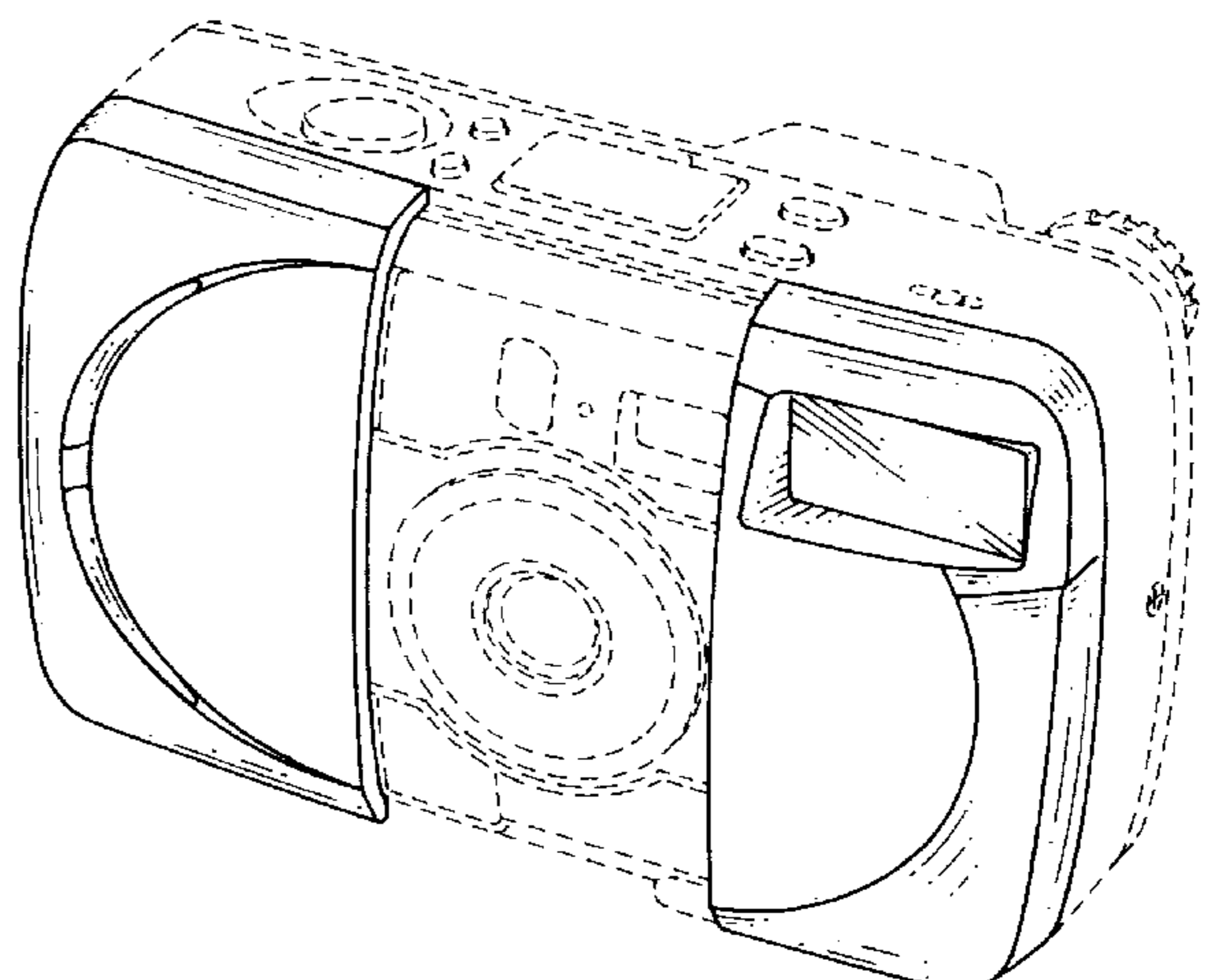
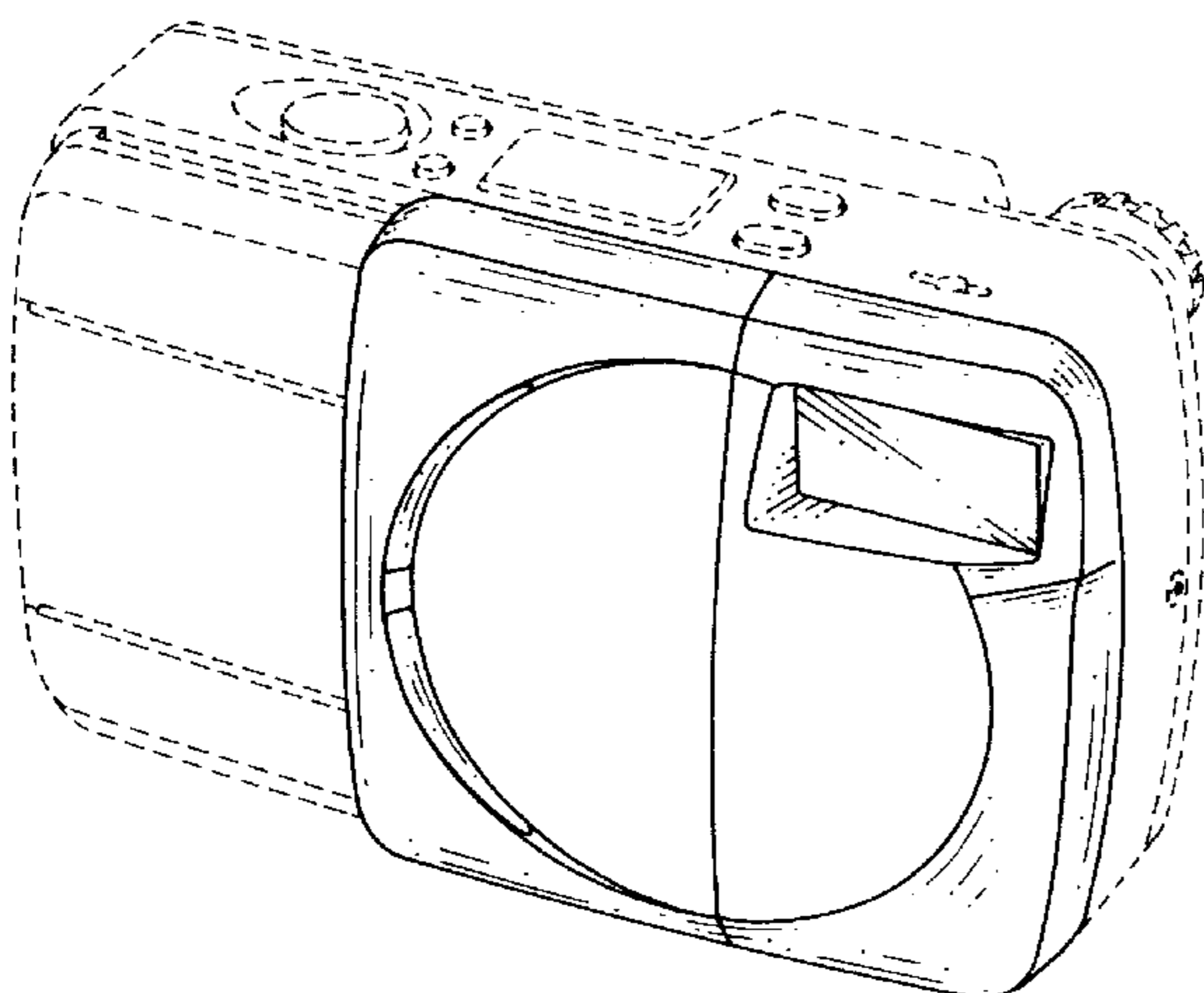


FIG. 1

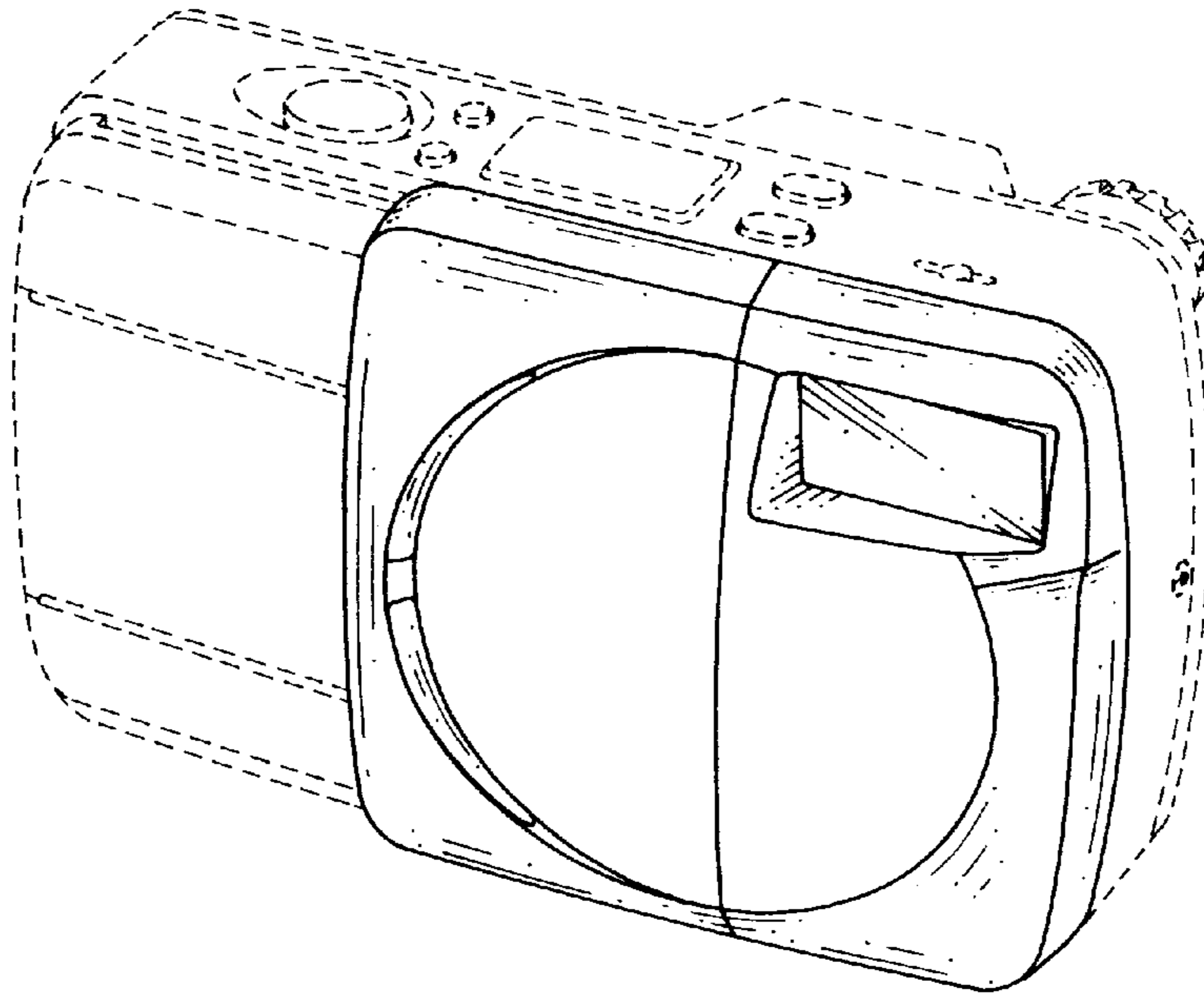


FIG. 2

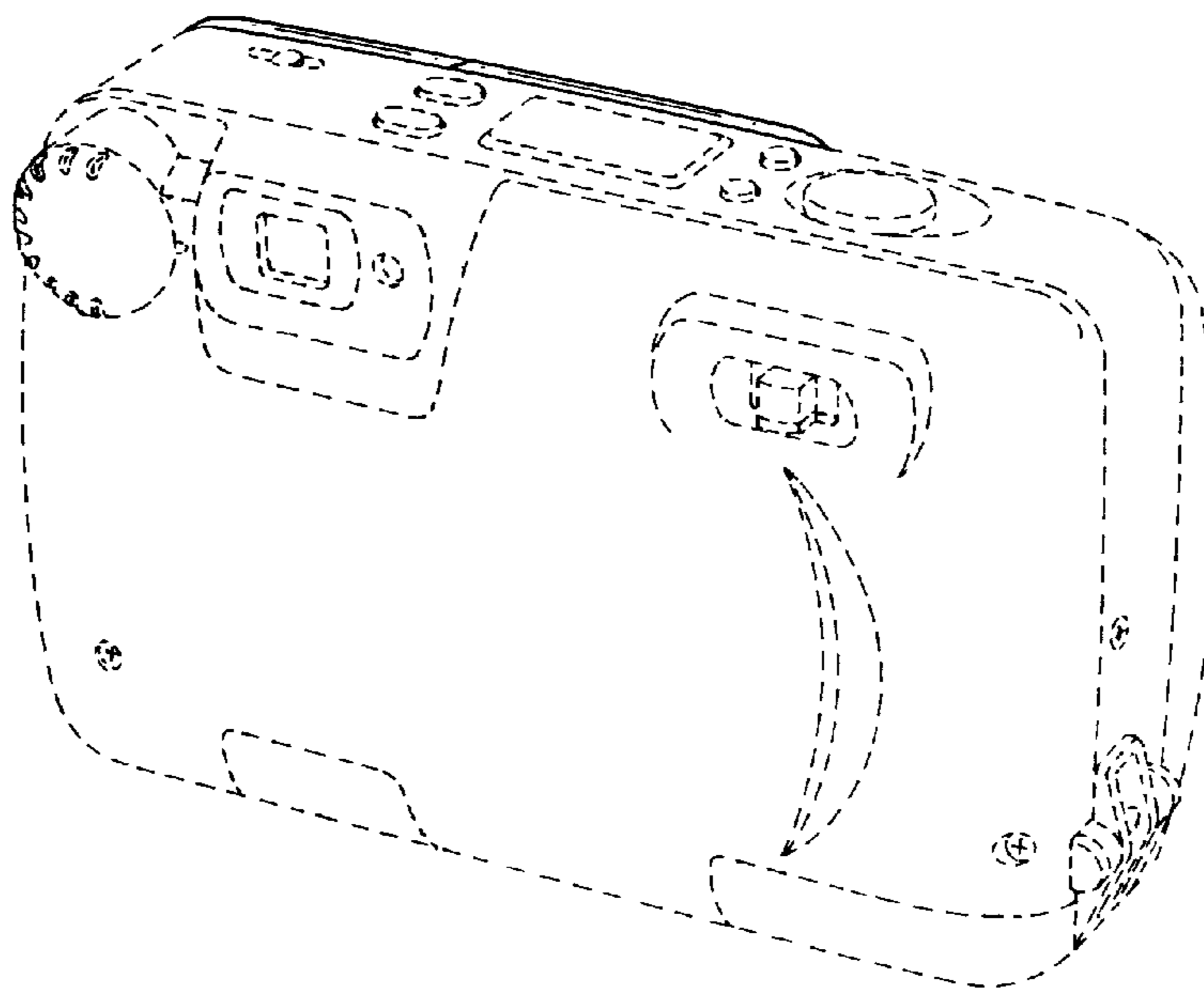


FIG. 3

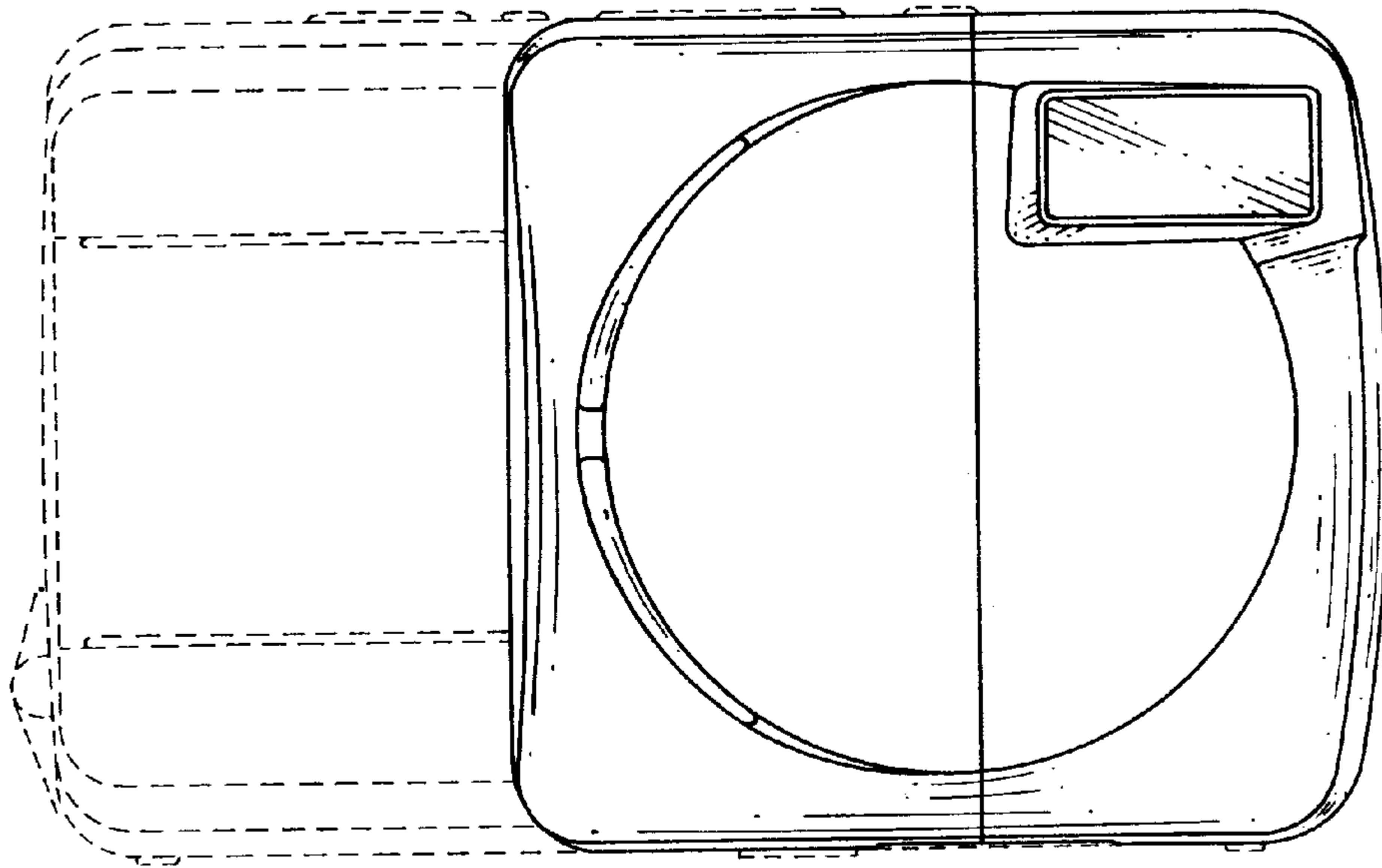


FIG. 4

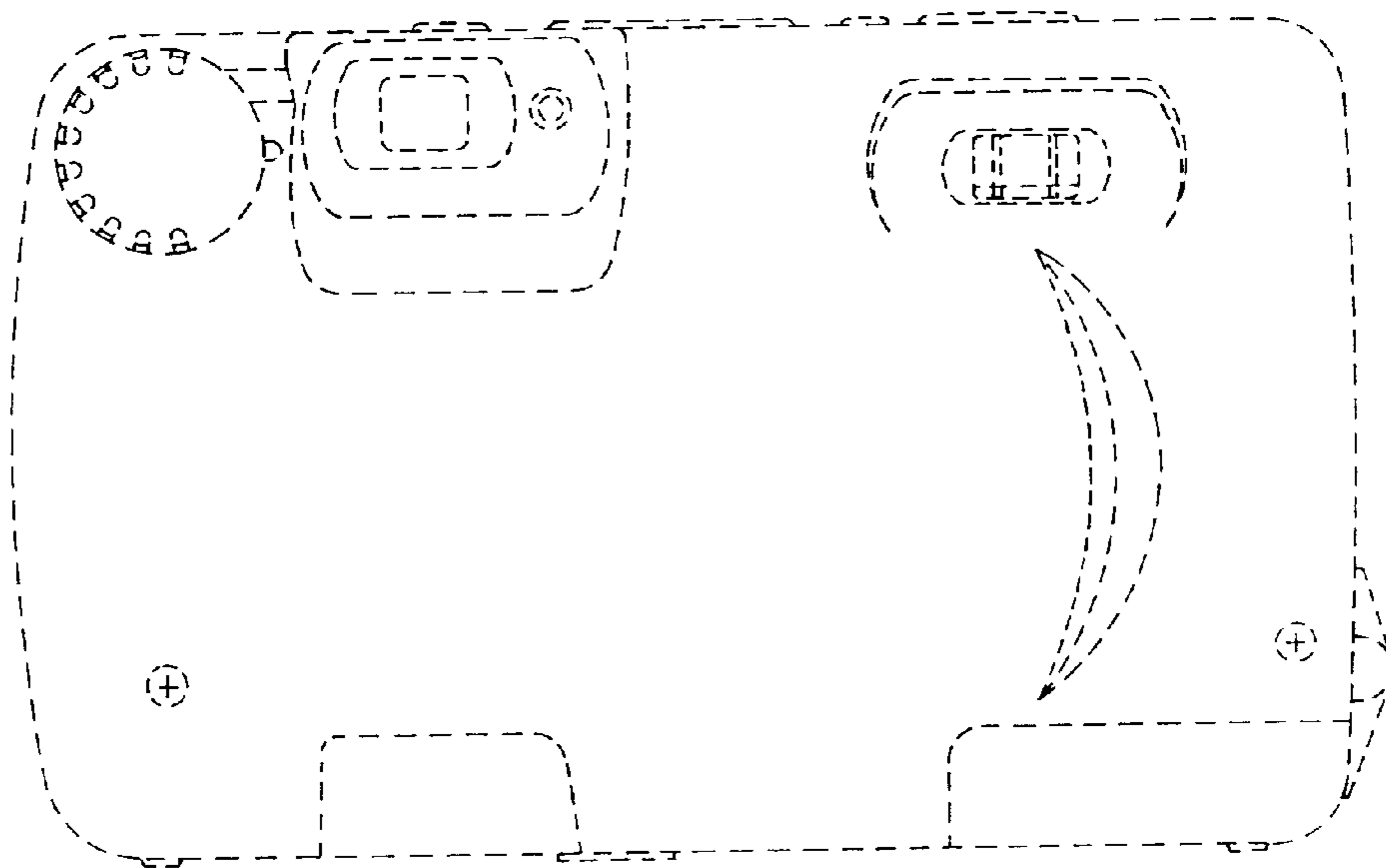


FIG. 5

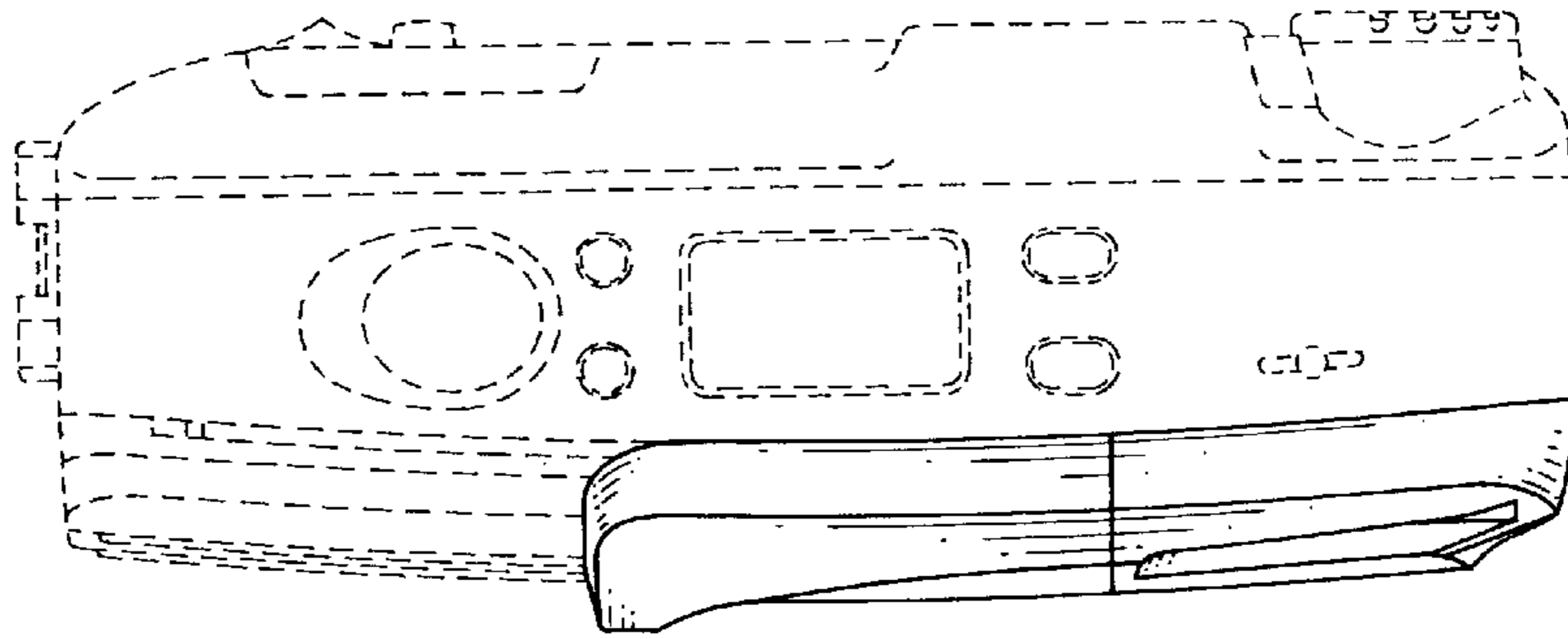


FIG. 6

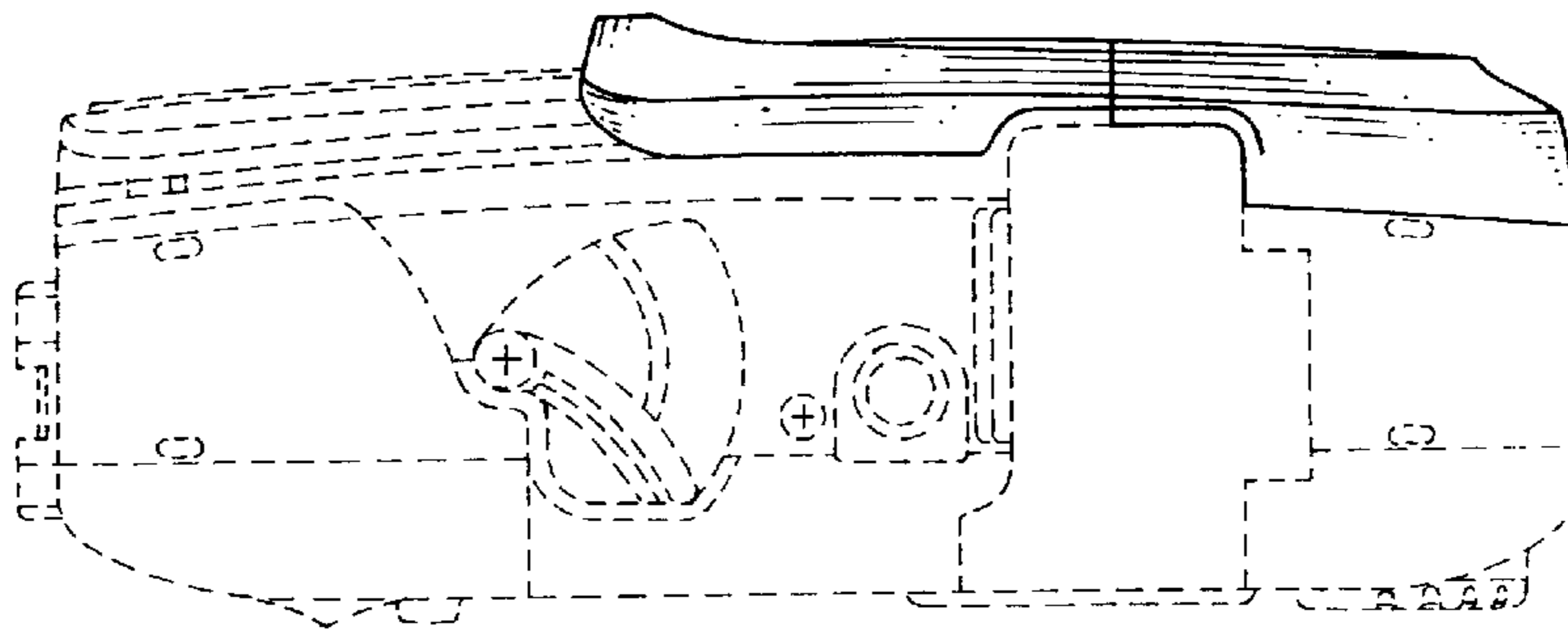


FIG. 7

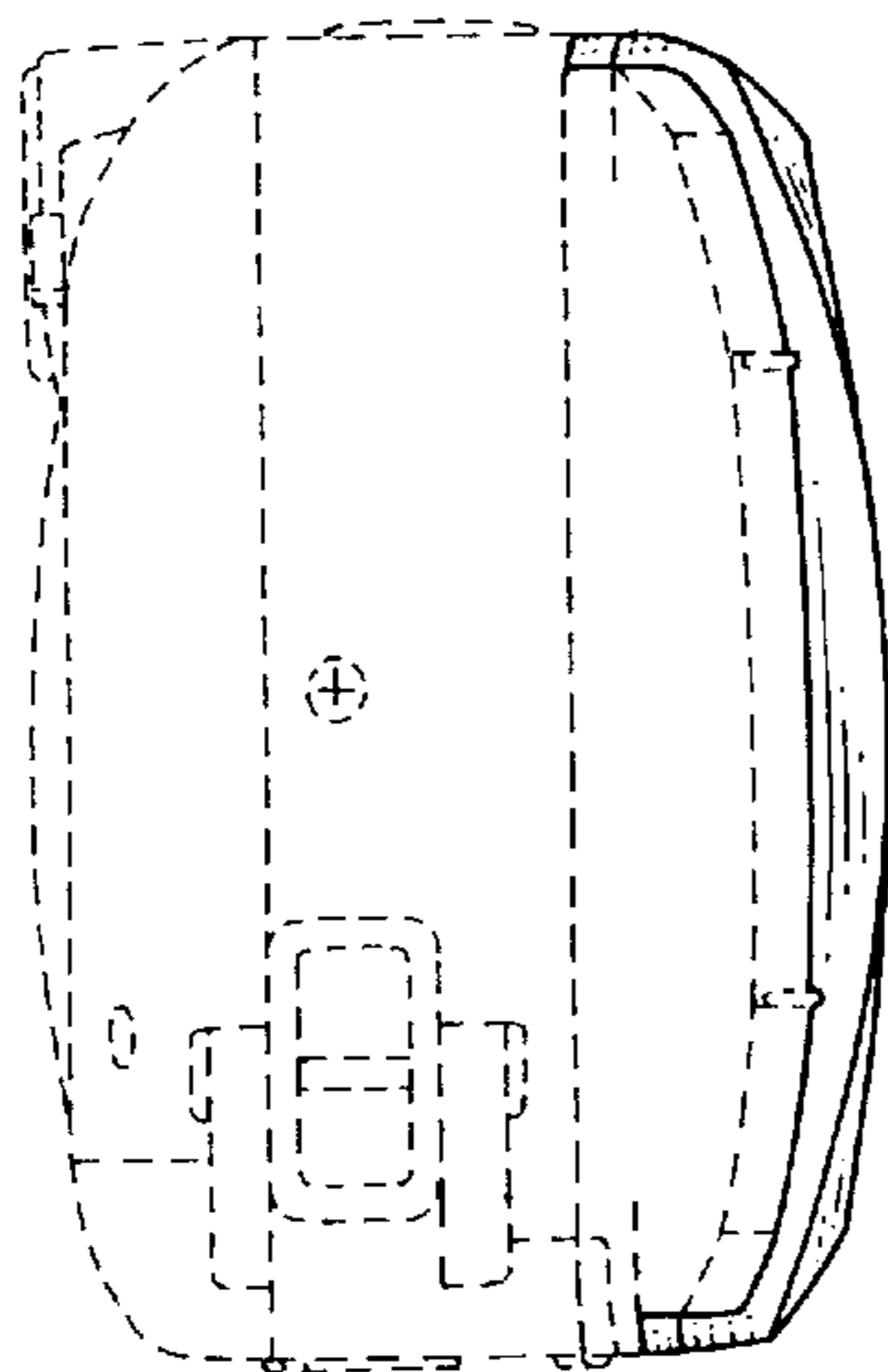


FIG. 8

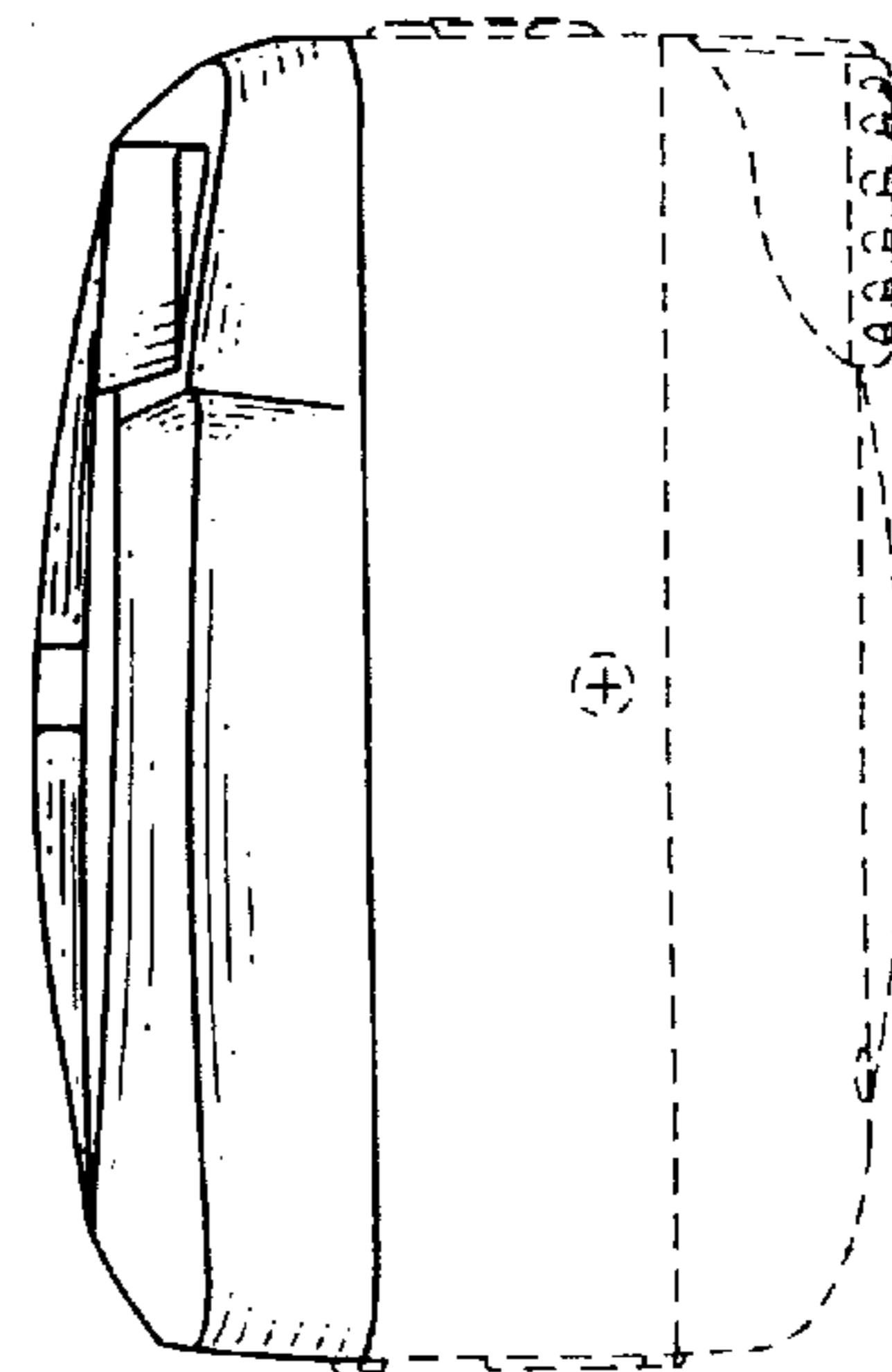


FIG. 9

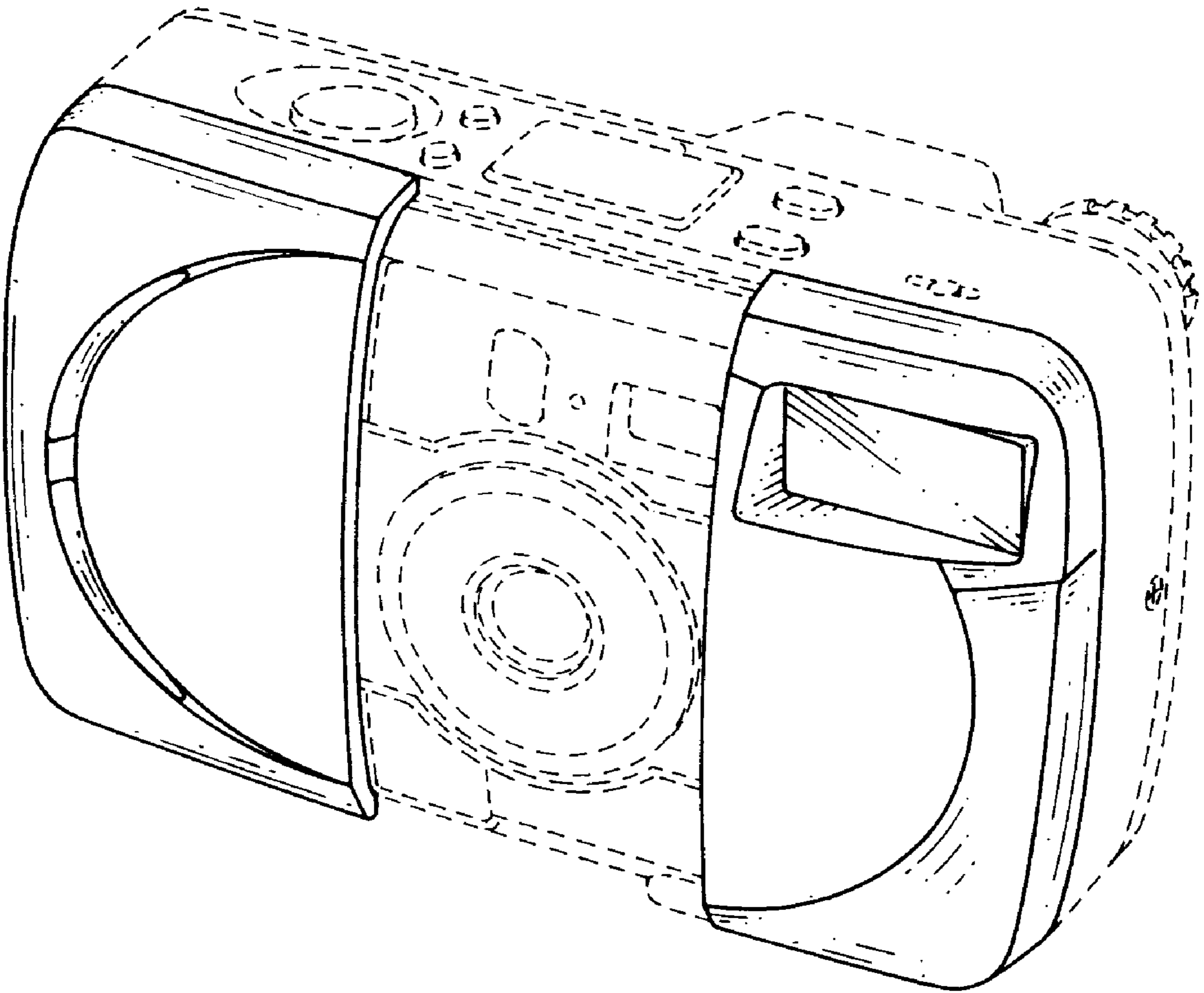


FIG. 10

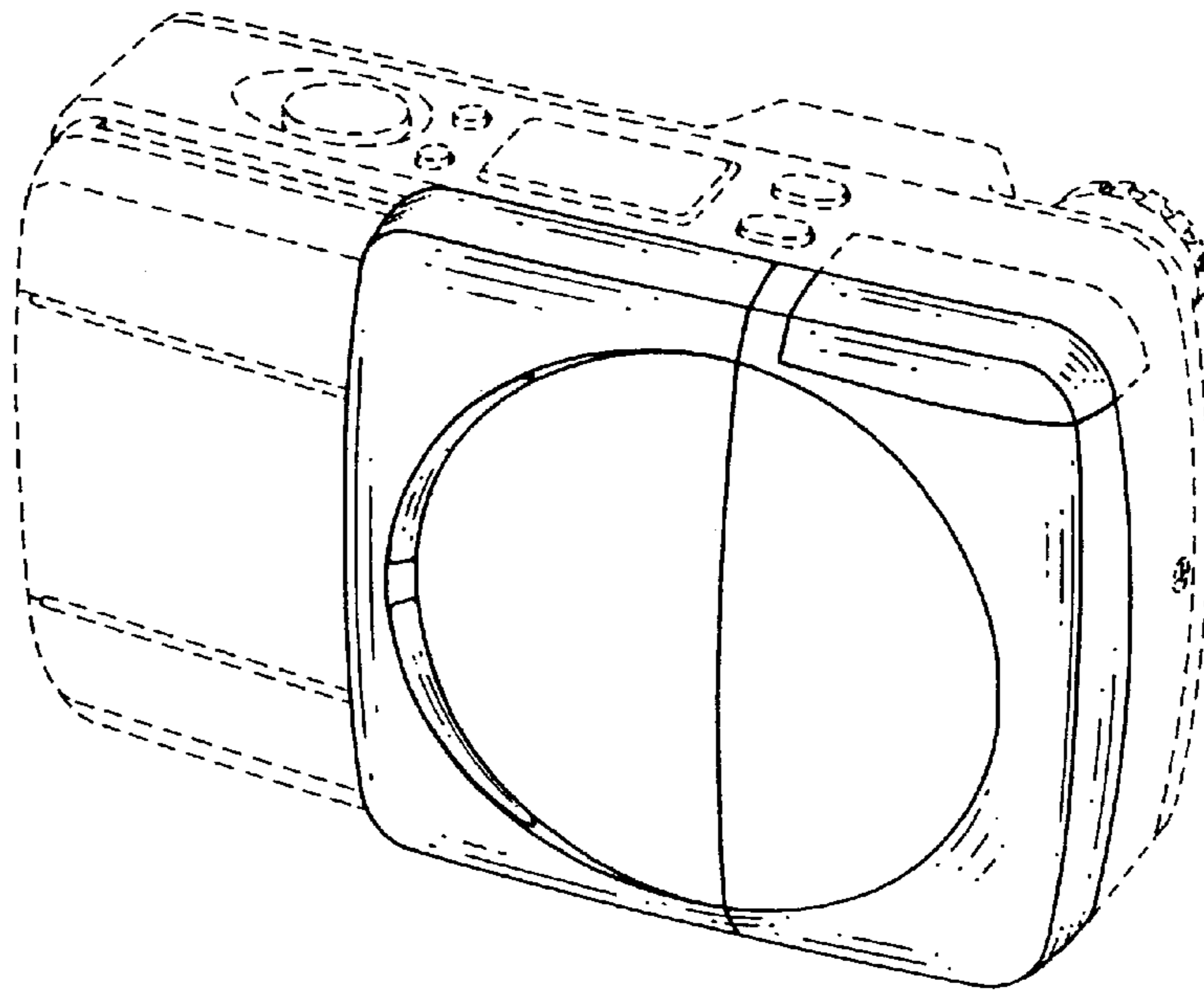


FIG. 11

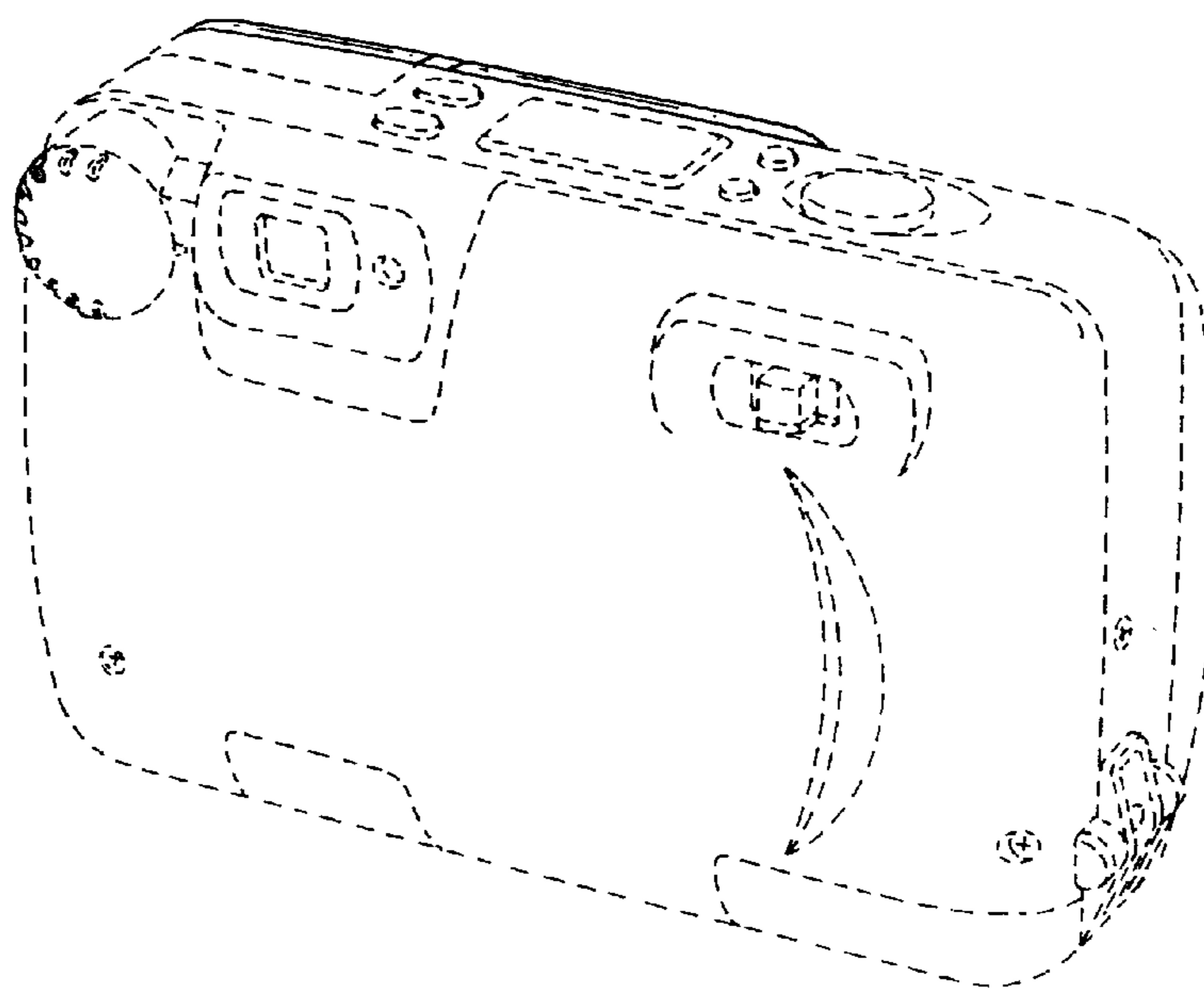


FIG. 12

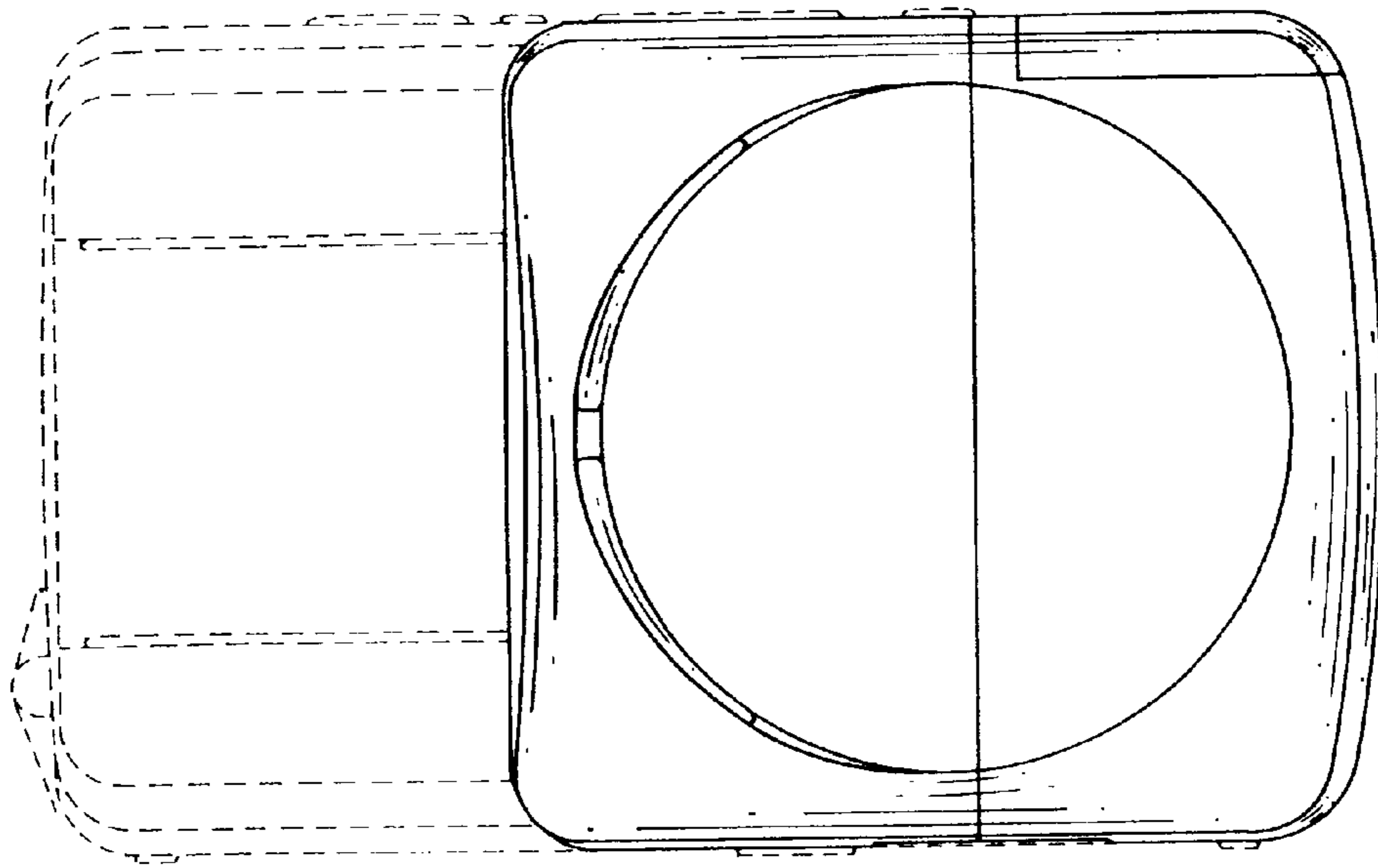


FIG. 13

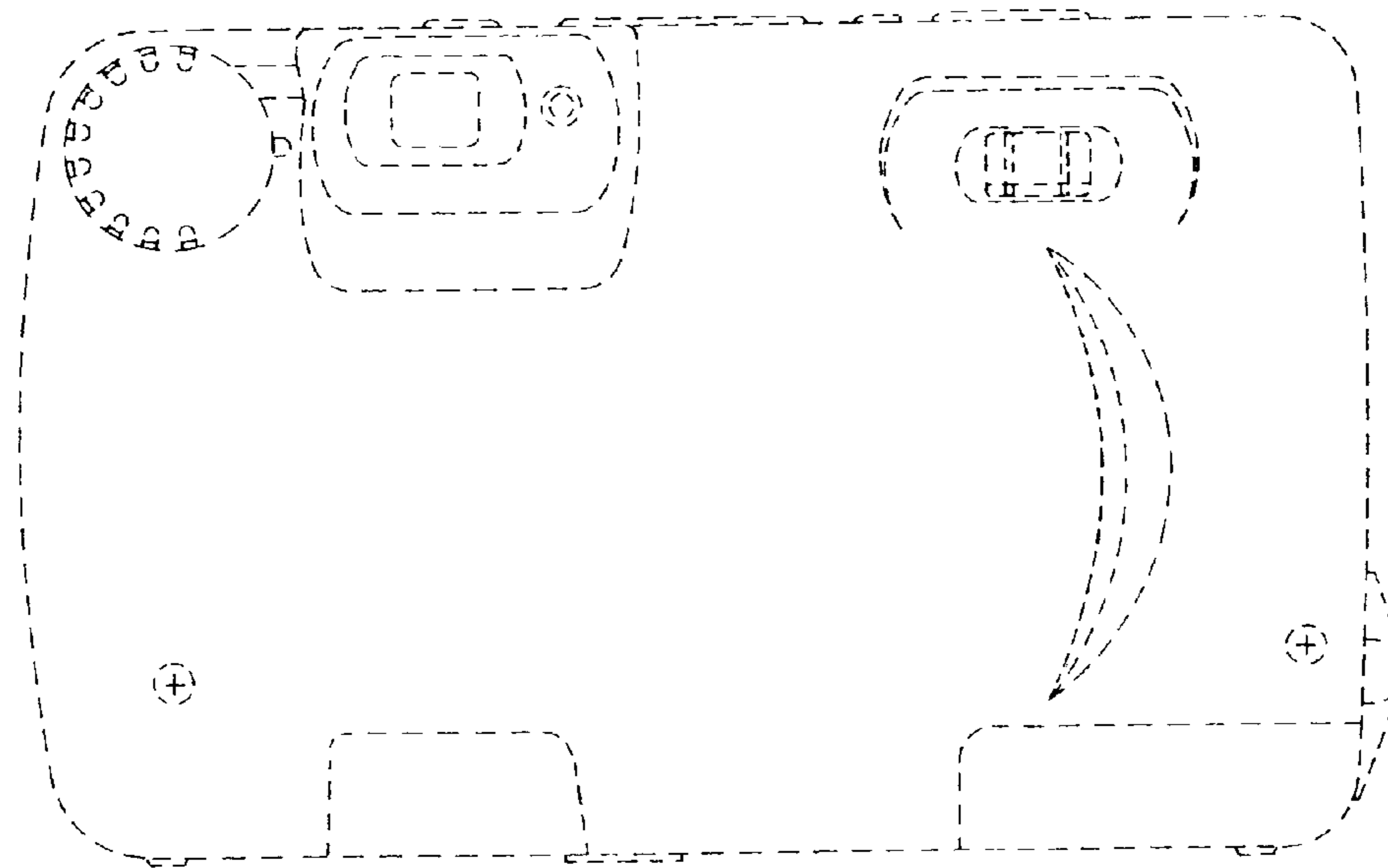


FIG. 14

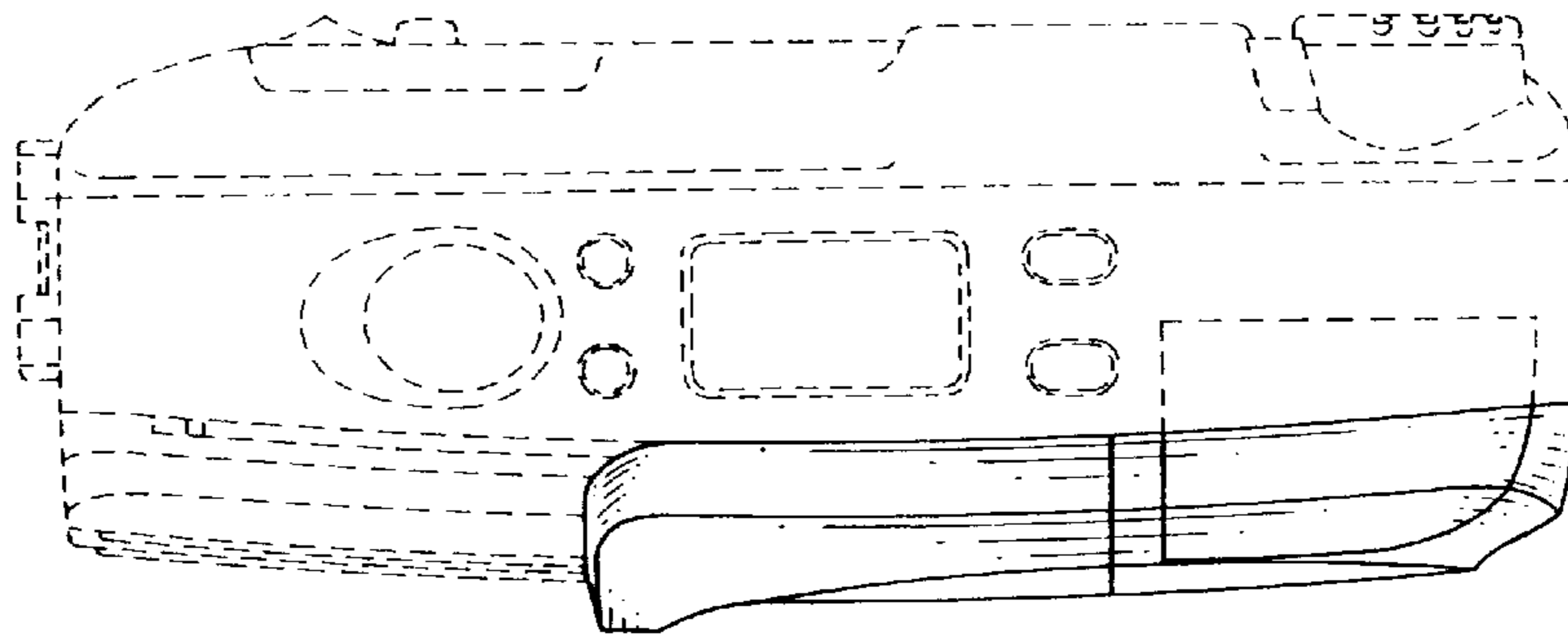


FIG. 15

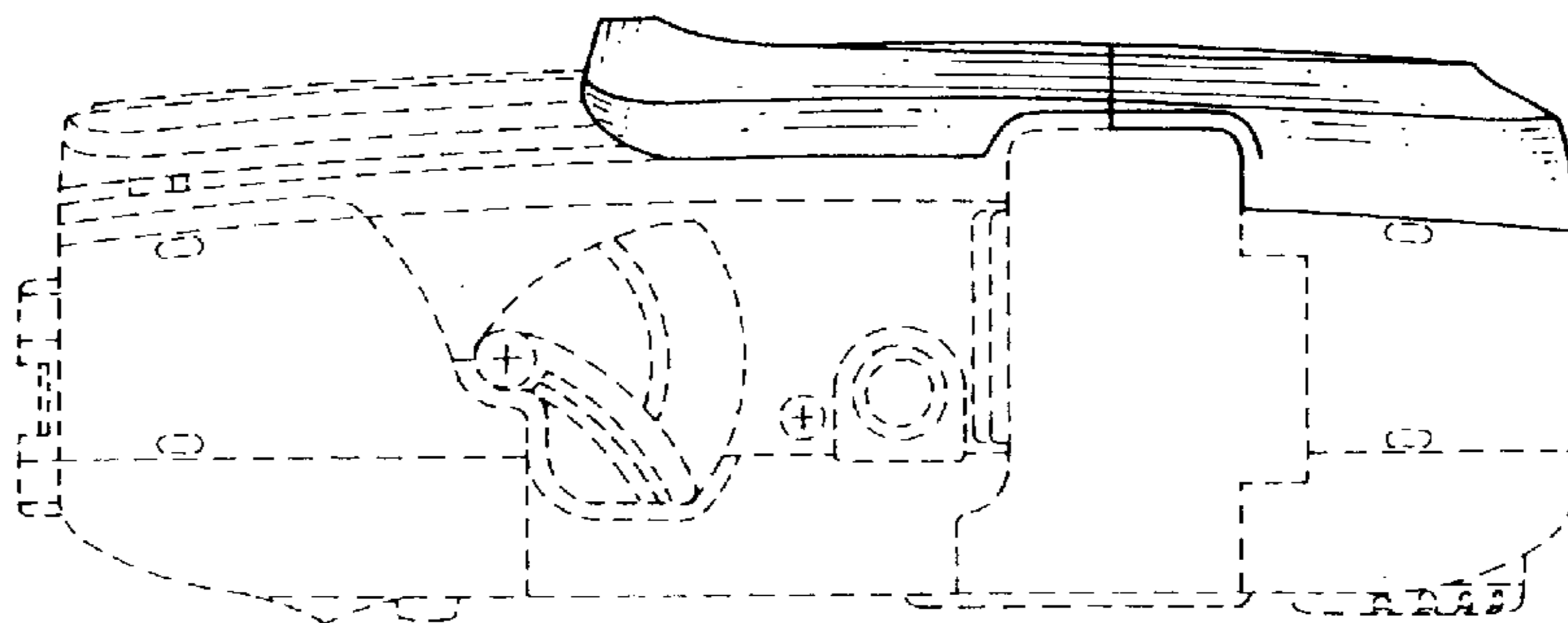


FIG. 16

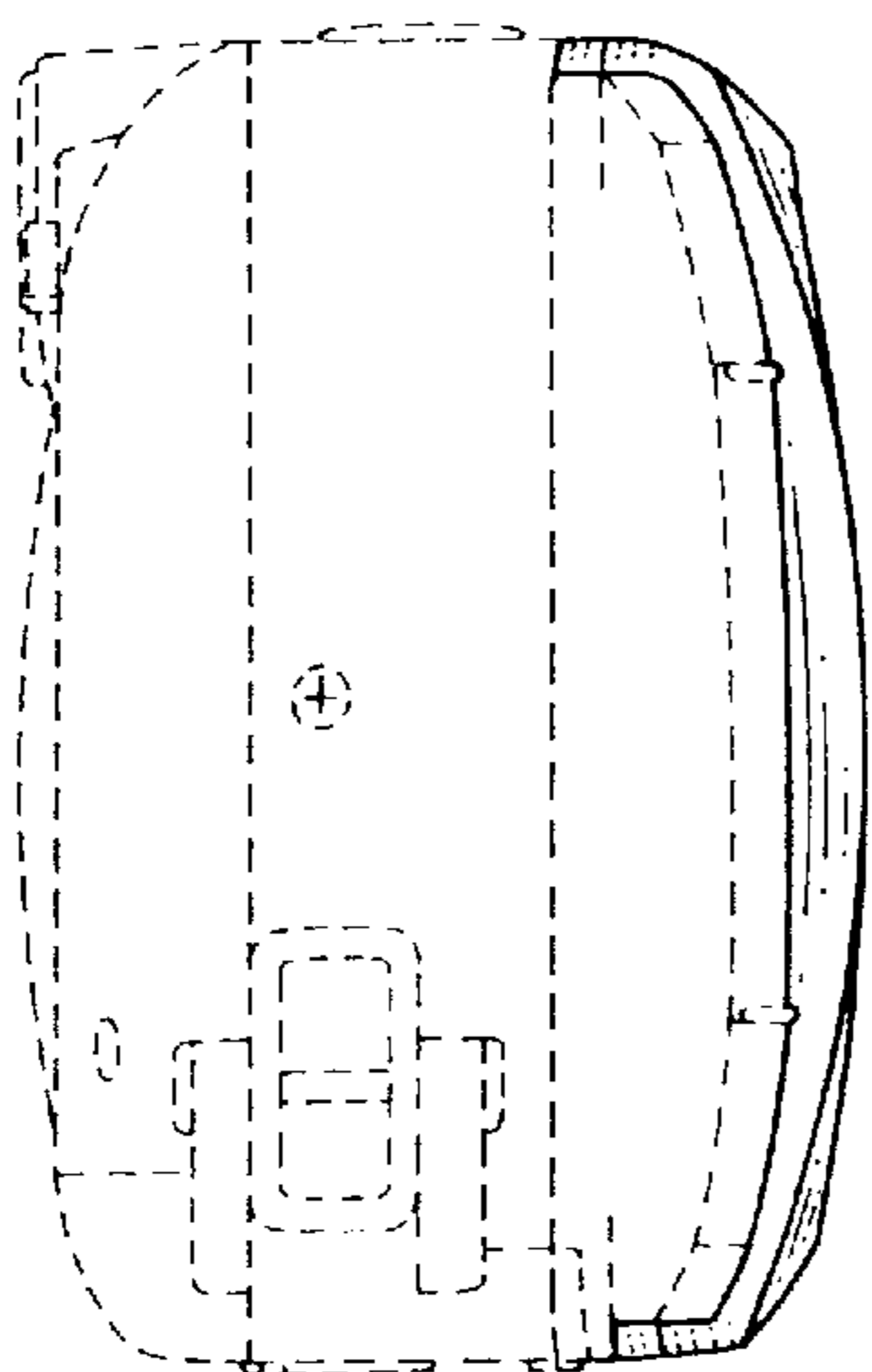


FIG. 17

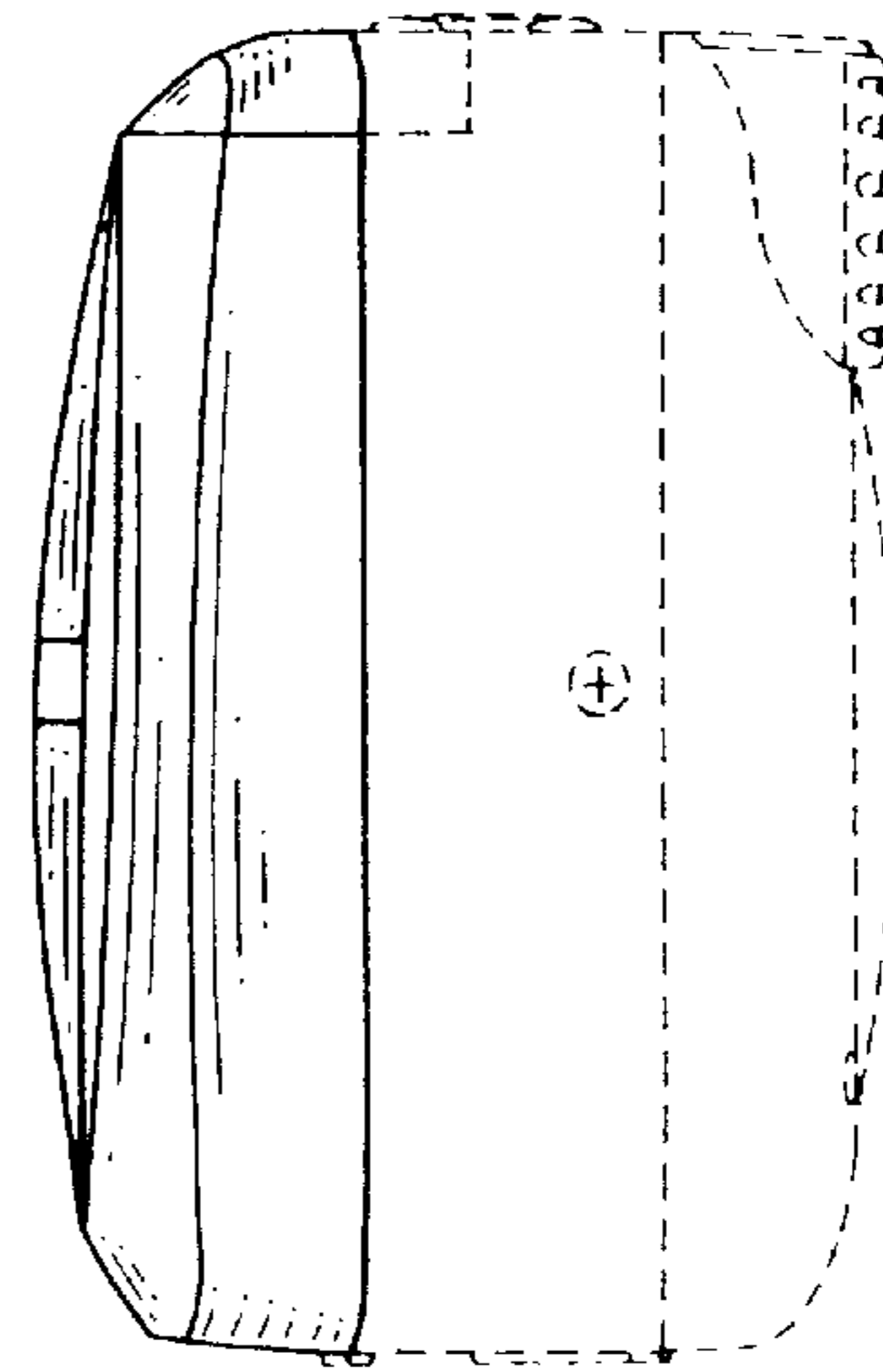


FIG. 18

