



US00D436610S

(12) **United States Design Patent**
Kondo

(10) **Patent No.:** **US D436,610 S**

(45) **Date of Patent:** **** Jan. 23, 2001**

(54) **CAMERA**

(75) **Inventor:** **Shozo Kondo, Tokyo (JP)**

(73) **Assignee:** **Fuji Photo Film Co., Ltd., Kanagawa (JP)**

(**) **Term:** **14 Years**

(21) **Appl. No.:** **29/117,304**

(22) **Filed:** **Jan. 24, 2000**

(30) **Foreign Application Priority Data**

Jul. 23, 1999 (JP) 11-19863

(51) **LOC (7) Cl.** **16-01**

(52) **U.S. Cl.** **D16/209; D16/218**

(58) **Field of Search** **D16/200-205, D16/208, 209, 217, 218; 396/6, 7, 535-541**

(56) **References Cited**

U.S. PATENT DOCUMENTS

- D. 359,745 * 6/1995 Arai D16/208
- D. 372,722 8/1996 Isozaki D16/208
- D. 383,145 9/1997 Isozaki D16/208

- D. 416,931 11/1999 Funato et al. D16/209
- D. 425,096 * 5/2000 Kondo D16/218
- D. 428,904 * 8/2000 Oshima D16/209
- 5,974,267 * 10/1999 Motomura 396/6

* cited by examiner

Primary Examiner—Adir Aronovich

(74) *Attorney, Agent, or Firm*—Young & Thompson

(57) **CLAIM**

The ornamental design for a camera, as shown.

DESCRIPTION

FIG. 1 is a top, front and side perspective view of a camera showing my new design;
 FIG. 2 is a front elevational view thereof;
 FIG. 3 is a rear elevational view thereof;
 FIG. 4 is a top plan view thereof;
 FIG. 5 is a bottom plan view thereof;
 FIG. 6 is an end elevational view thereof from the right of FIG. 2; and,
 FIG. 7 is an end elevational view thereof from the left of FIG. 2.

1 Claim, 3 Drawing Sheets

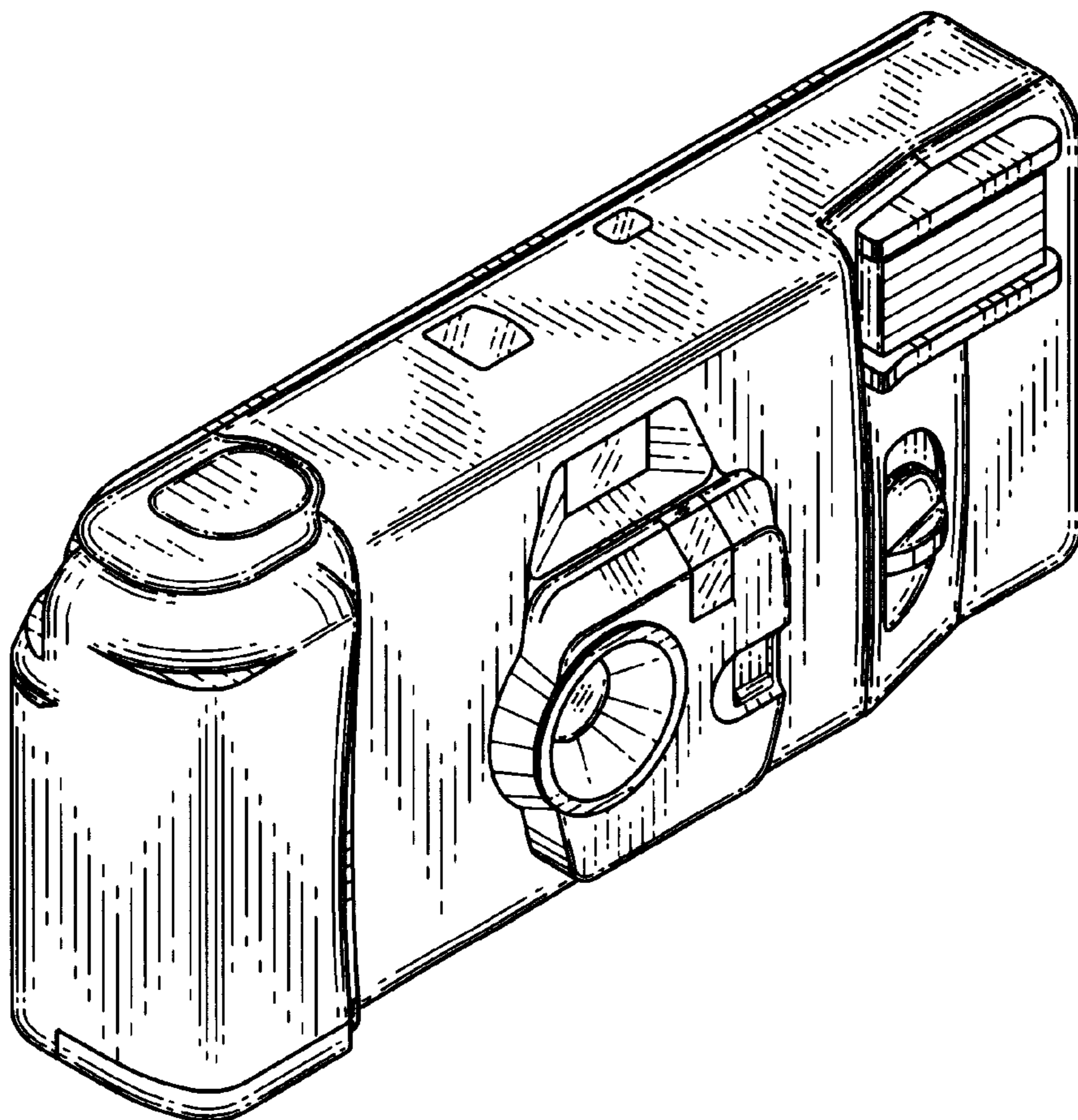


FIG. 1

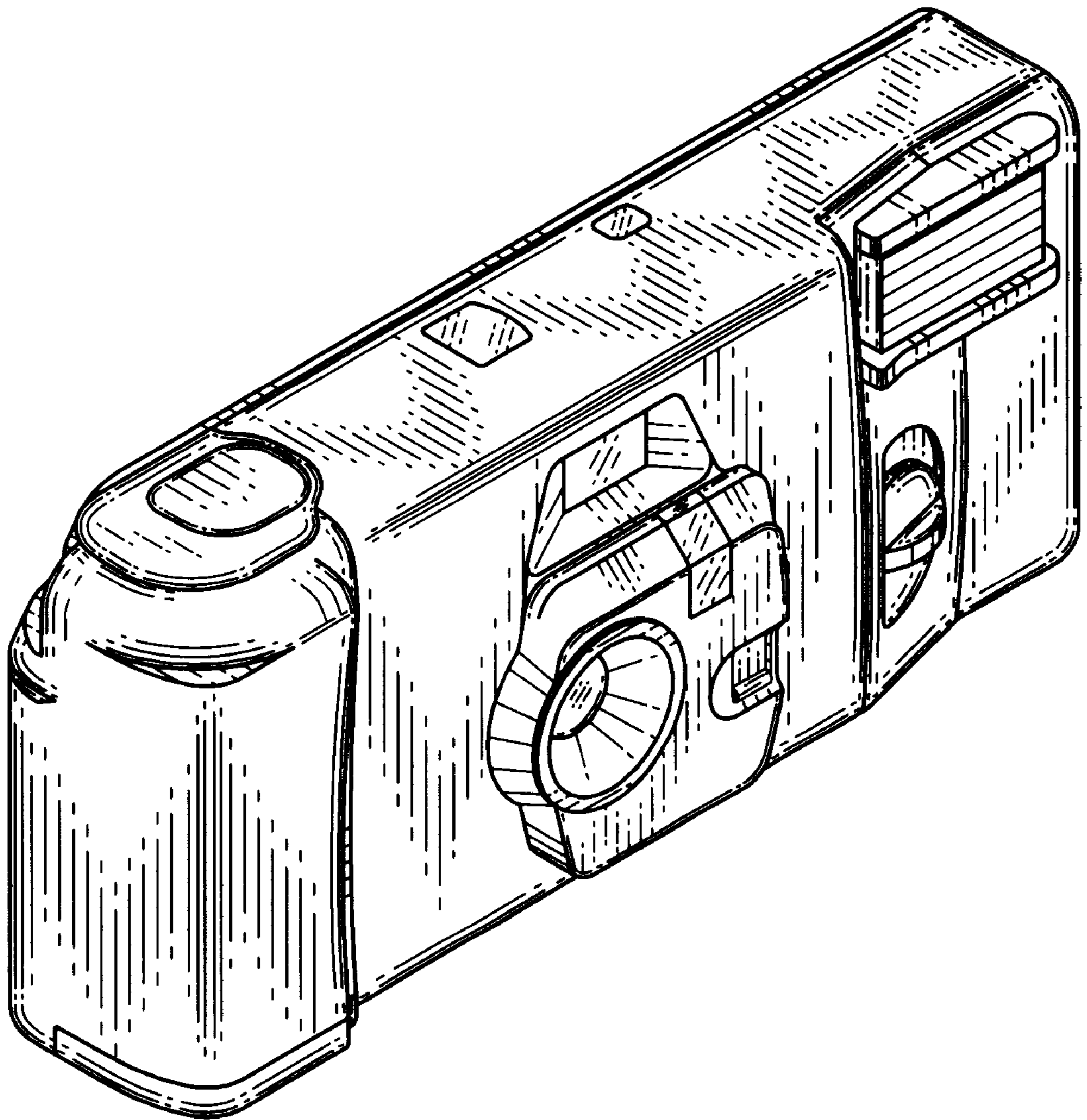


FIG. 2

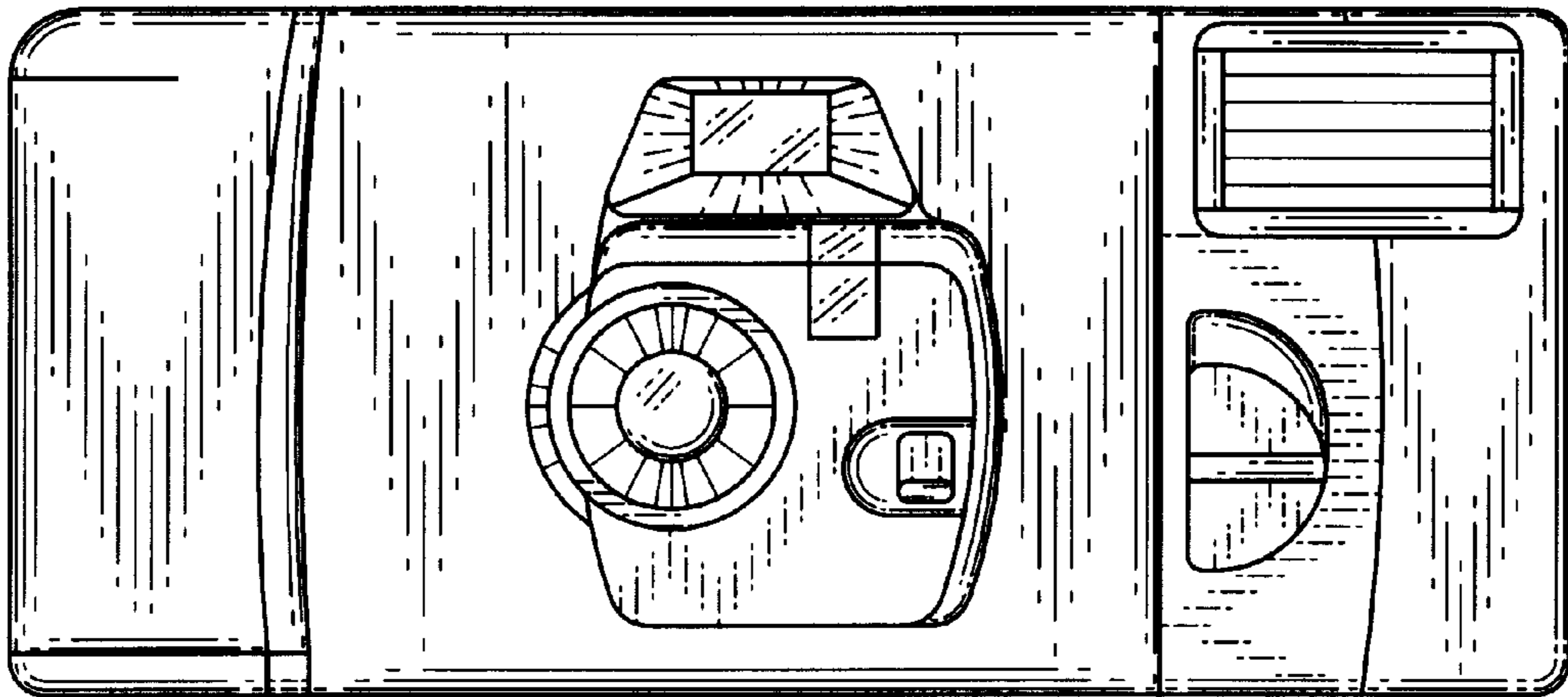


FIG. 3

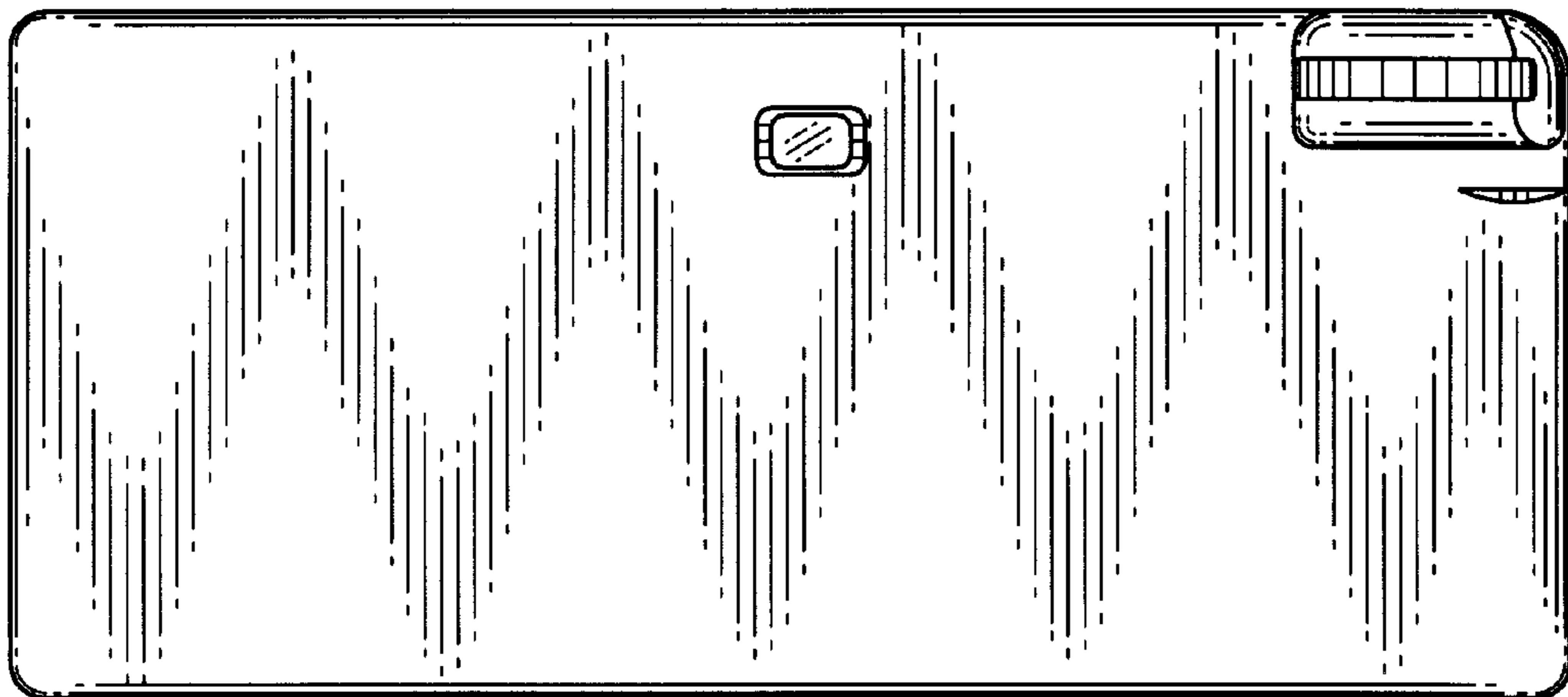


FIG. 4

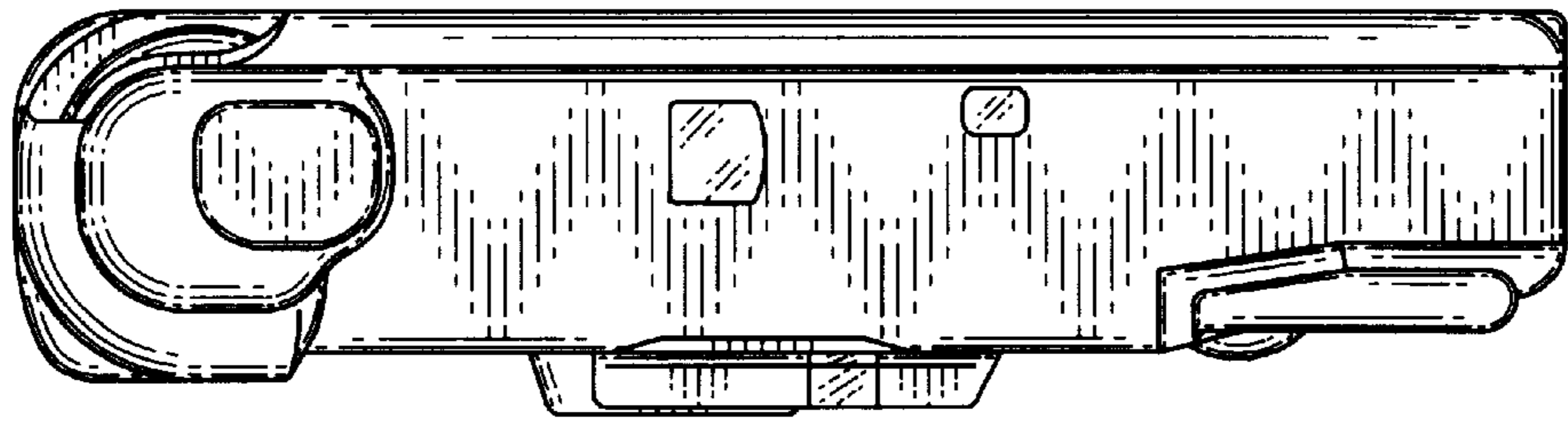


FIG. 5

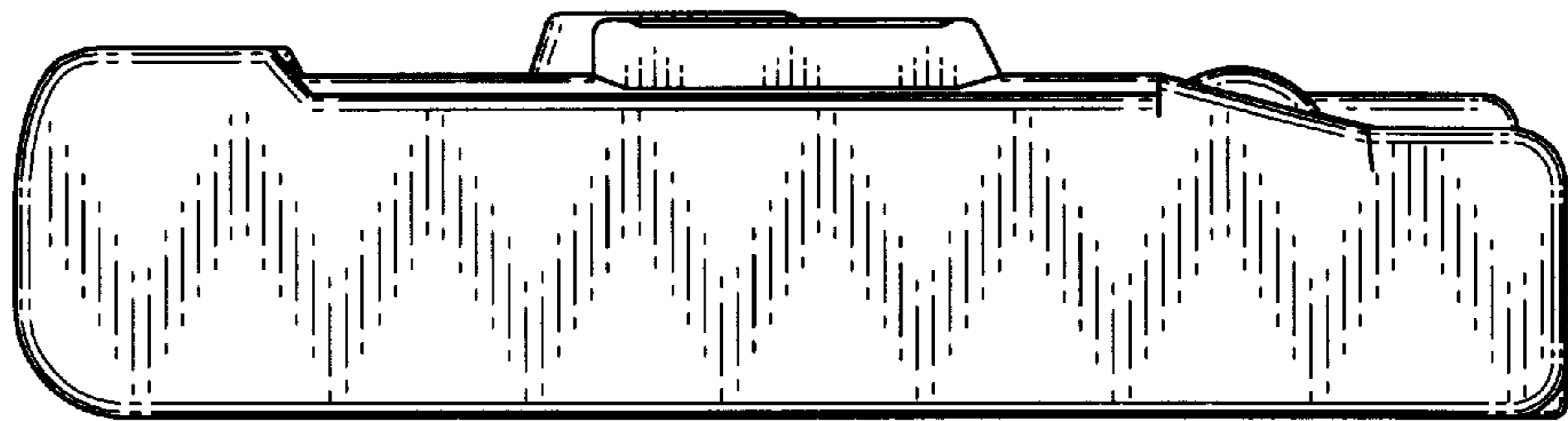


FIG. 7

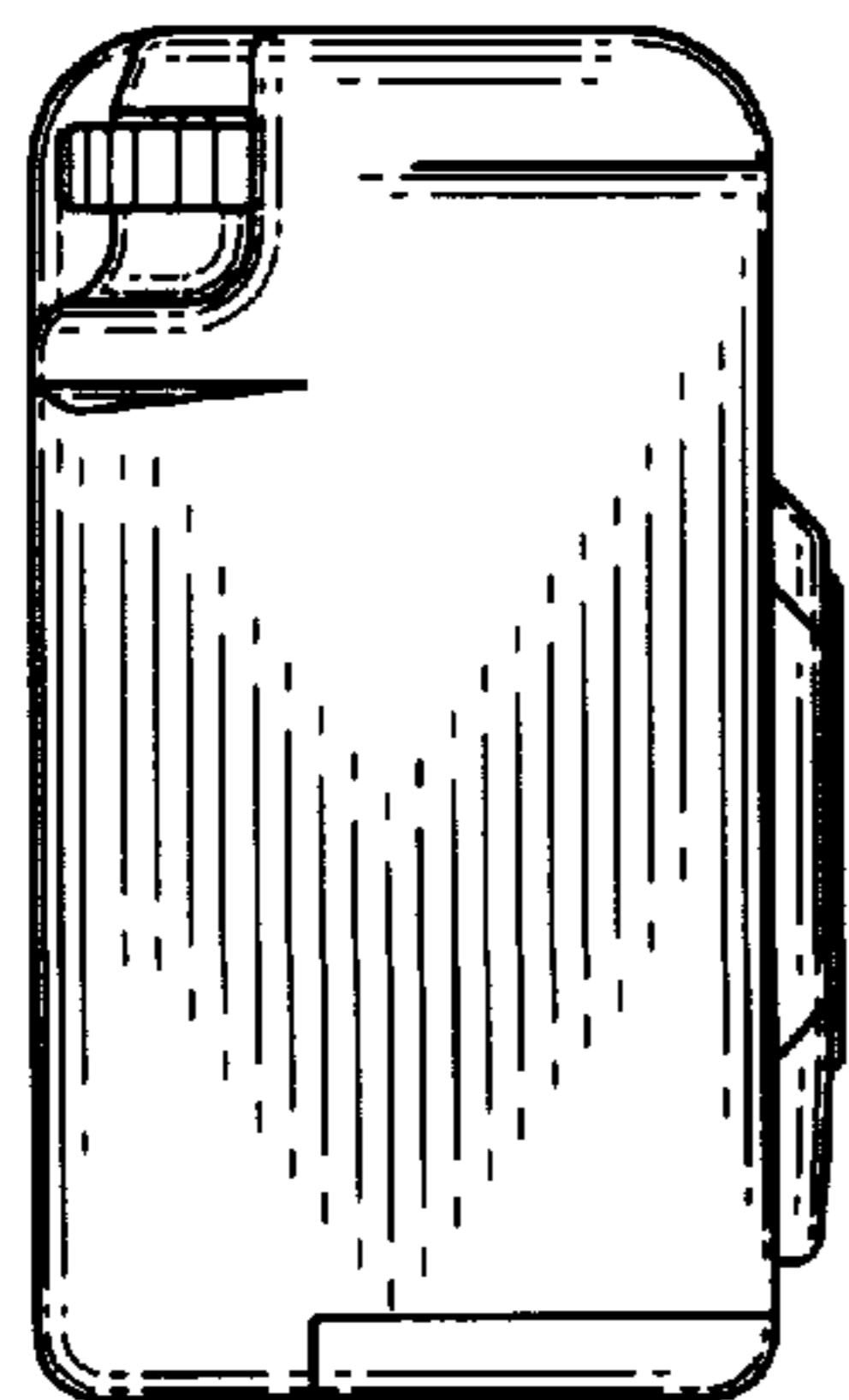


FIG. 6

