



US00D436609S

(12) **United States Design Patent**  
**Tepman**

(10) **Patent No.:** **US D436,609 S**

(45) **Date of Patent:** **\*\* Jan. 23, 2001**

(54) **TRANSFER CHAMBER**

(75) **Inventor:** **Avi Tepman**, Cupertino, CA (US)

(73) **Assignee:** **Applied Materials, Inc.**, Santa Clara, CA (US)

(\*\*) **Term:** **14 Years**

5,380,682	1/1995	Edwards et al. ....	437/225
5,516,732	5/1996	Flegal .....	437/250
5,520,002	5/1996	Ishikawa .....	62/55.5
5,582,866	12/1996	White .....	427/248.1
5,769,952	6/1998	Komino .....	118/733
5,784,238	7/1998	Nering et al. ....	361/65
5,930,456	7/1999	Vosen .....	392/416
5,944,857	8/1999	Edwards et al. ....	29/25.01

**FOREIGN PATENT DOCUMENTS**

(21) **Appl. No.:** **29/114,734**

(22) **Filed:** **Nov. 30, 1999**

(51) **LOC (7) Cl.** ..... **15-09**

(52) **U.S. Cl.** ..... **D15/144.1**

(58) **Field of Search** ..... D15/144, 144.1,  
D15/144.2; 29/25.01; 204/298.11; 62/55.5;  
118/719, 620, 733; 392/416; 414/217, 416,  
716, 786, 935-941; 361/65; 427/248.1;  
437/225, 250; 165/1

0756316A1	1/1997	(EP) .
60-221572	6/1985	(JP) .
61-170568	8/1986	(JP) .
61-246381	11/1986	(JP) .
62-116769	5/1987	(JP) .
62-131455	6/1987	(JP) .
62-164875	7/1987	(JP) .
4-87782	3/1992	(JP) .
4-87784	3/1992	(JP) .
4-87785	3/1992	(JP) .
WO 87/07309	3/1987	(WO) .

\* cited by examiner

(56) **References Cited**

**U.S. PATENT DOCUMENTS**

D. 397,346 *	8/1998	Fan et al. ....	D15/144.1
4,405,435	9/1983	Tateishi et al. ....	204/298
4,498,416	2/1985	Bouchaib .....	118/719
4,592,306	6/1986	Gallego .....	118/719
4,607,593	8/1986	Van Hemel .....	118/719
4,664,062	5/1987	Kamohara et al. ....	118/719
4,681,773	7/1987	Bean .....	427/38
4,709,655	12/1987	Van Mastrigt .....	118/719
4,715,921	12/1987	Maher et al. ....	156/345
4,717,461	1/1988	Strahl et al. ....	204/192.1
4,733,631	3/1988	Boyarsky et al. ....	118/719
4,739,787	4/1988	Stoltenberg .....	137/14
4,820,106	4/1989	Walde et al. ....	414/217
4,825,808	5/1989	Takahashi et al. ....	118/719
4,857,160	8/1989	Landau et al. ....	204/192.12
4,886,592	12/1989	Anderle et al. ....	204/298
4,917,556	4/1990	Stark et al. ....	414/217
4,951,601	8/1990	Maydan et al. ....	118/719
5,000,113	3/1991	Wang et al. ....	118/723
5,067,218	11/1991	Williams .....	29/25.01
5,088,444	2/1992	Ohmine et al. ....	118/719
5,186,718	2/1993	Tepman et al. ....	29/25.01
5,199,483	4/1993	Bahng .....	165/1
5,259,881	11/1993	Edwards et al. ....	118/719
5,352,248	10/1994	Ishikawa et al. ....	29/25.01

*Primary Examiner*—Antoine Duval Davis

(74) *Attorney, Agent, or Firm*—Thomason, Moser & Patterson

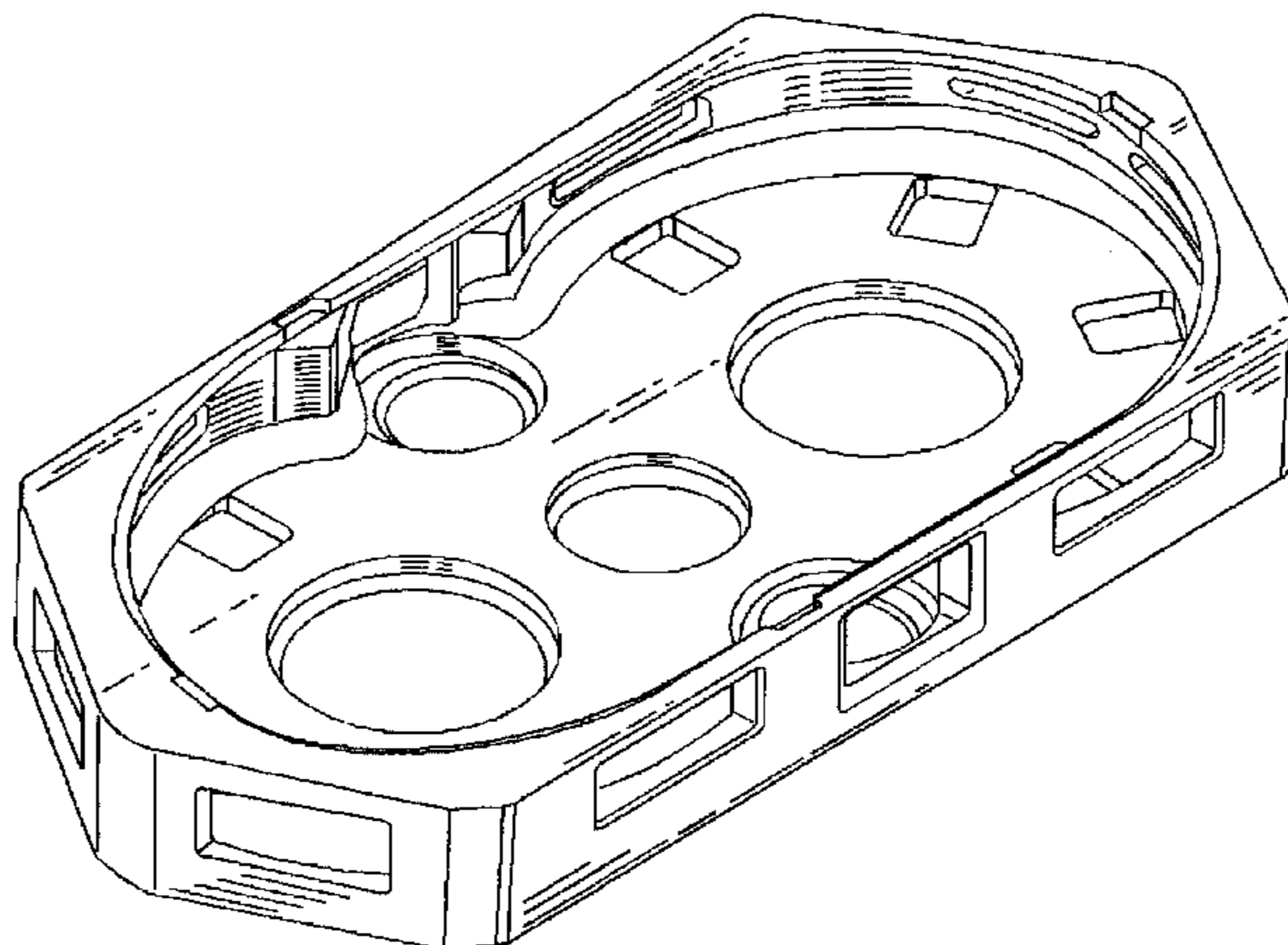
(57) **CLAIM**

The ornamental design for a transfer chamber, as shown.

**DESCRIPTION**

FIG. 1 is a top perspective view of a transfer chamber of the present invention;  
 FIG. 2 is a perspective view showing substantially the top of a transfer chamber of the present invention;  
 FIG. 3 is a perspective view showing substantially one side of a transfer chamber of the present invention;  
 FIG. 4 is a perspective view showing substantially another side of a transfer chamber of the present invention;  
 FIG. 5 is a perspective view showing substantially one end of a transfer chamber of the present invention;  
 FIG. 6 is a perspective view showing substantially another end of a transfer chamber of the present invention; and,  
 FIG. 7 is a perspective view showing substantially the bottom of a transfer chamber of the present invention.

**1 Claim, 5 Drawing Sheets**



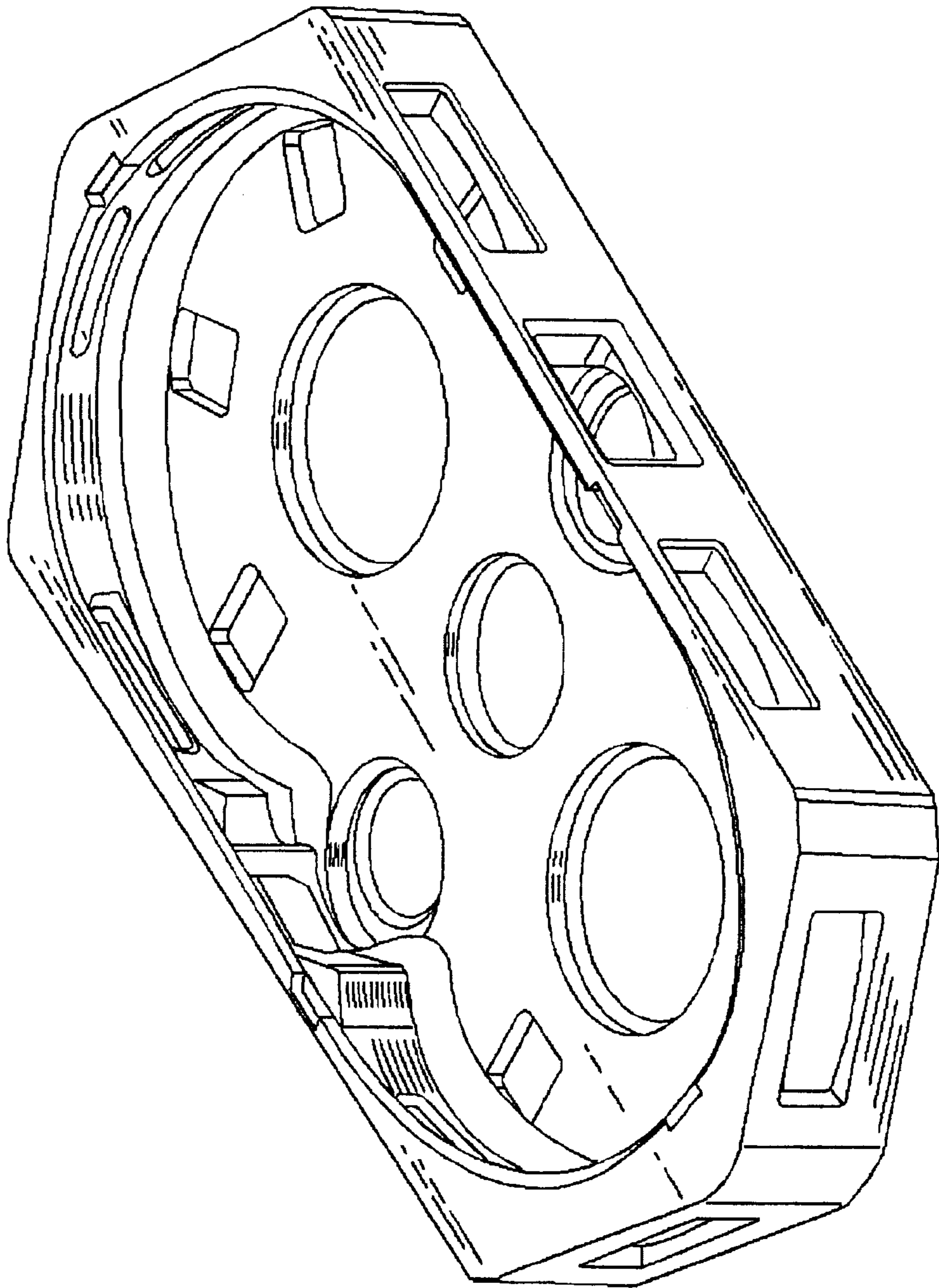


Fig. 1

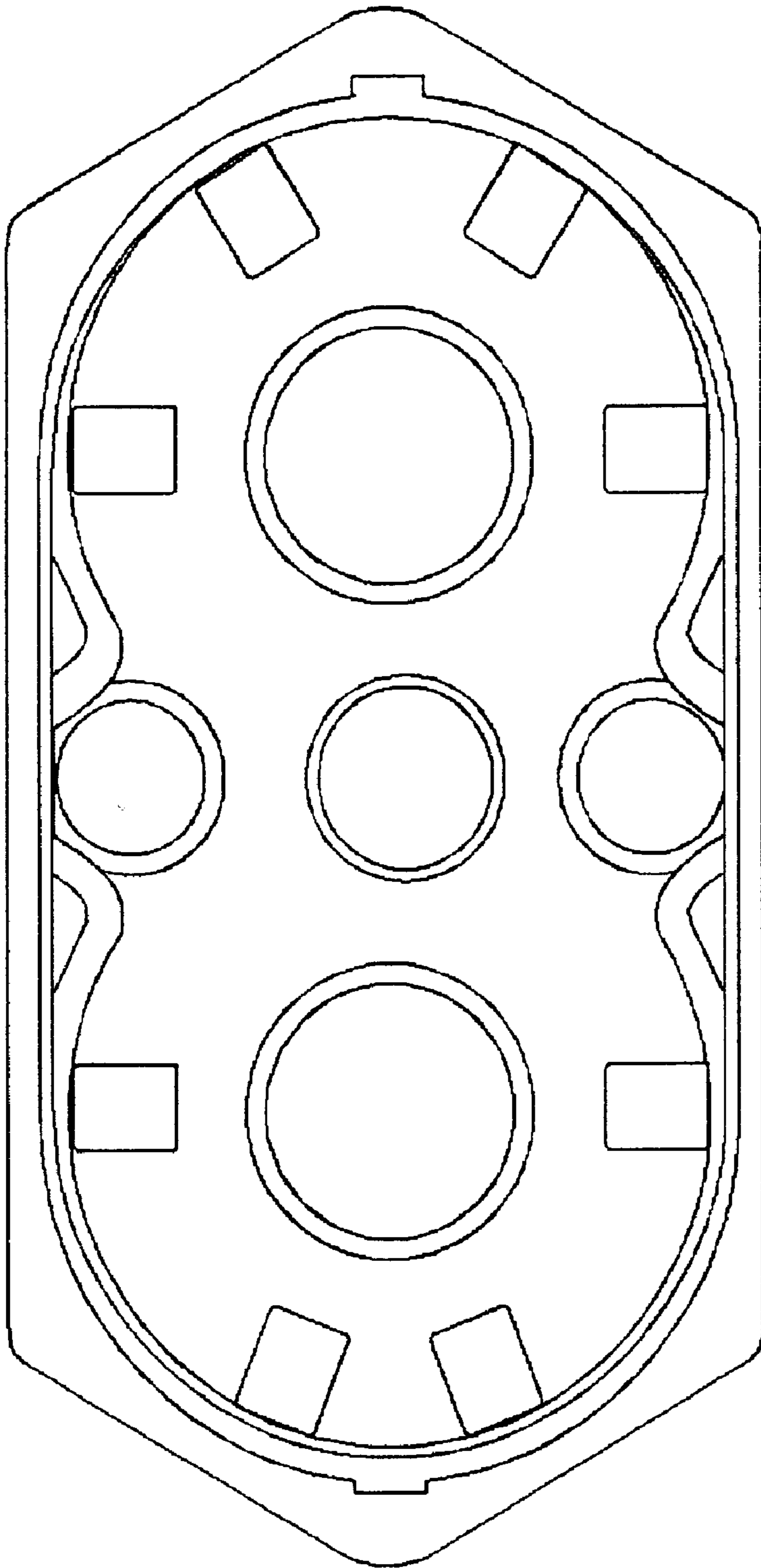


Fig. 2

Fig. 3

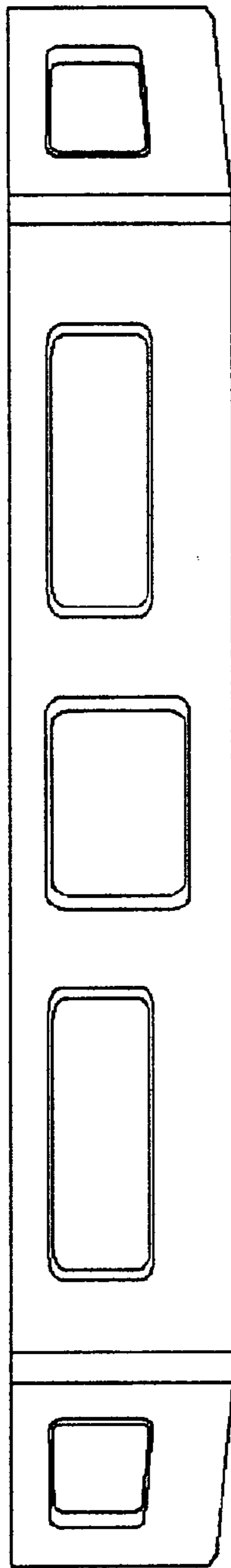
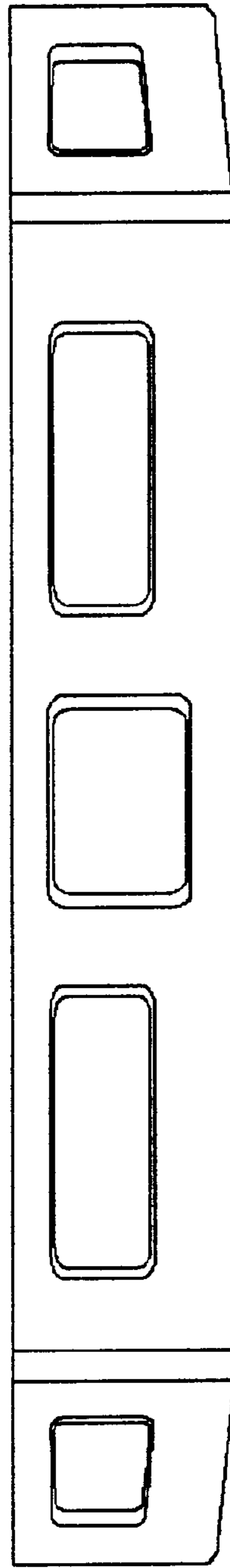


Fig. 4





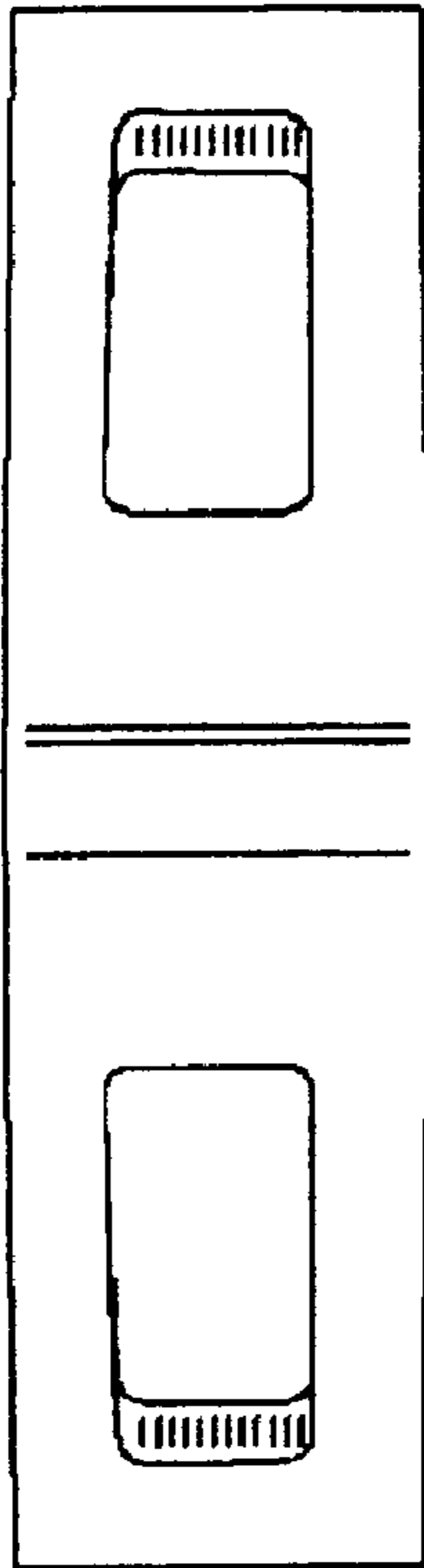


Fig. 5

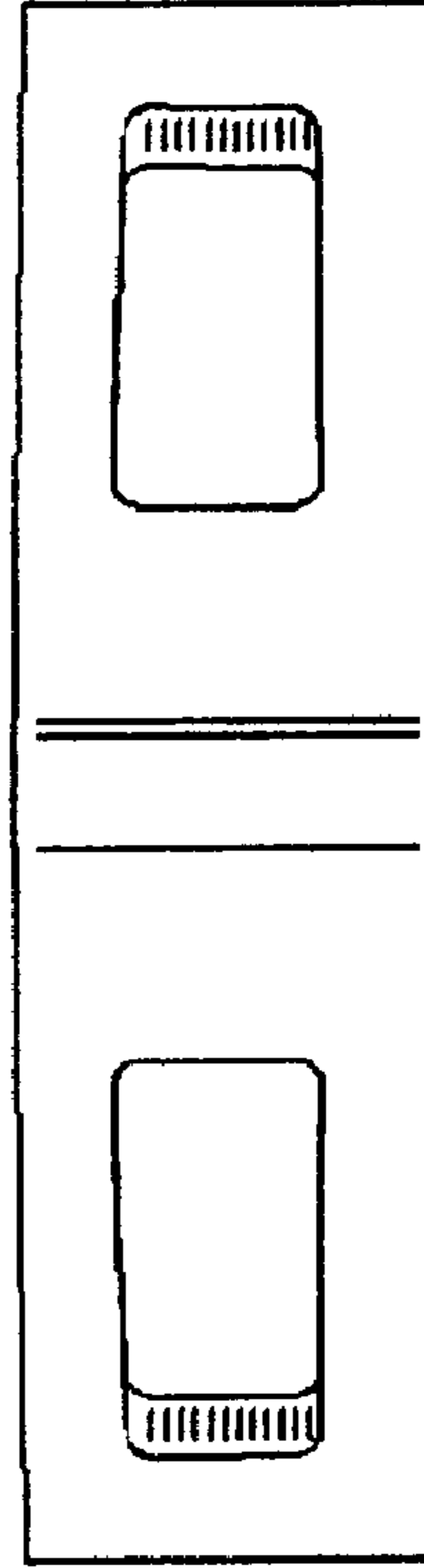


Fig. 6

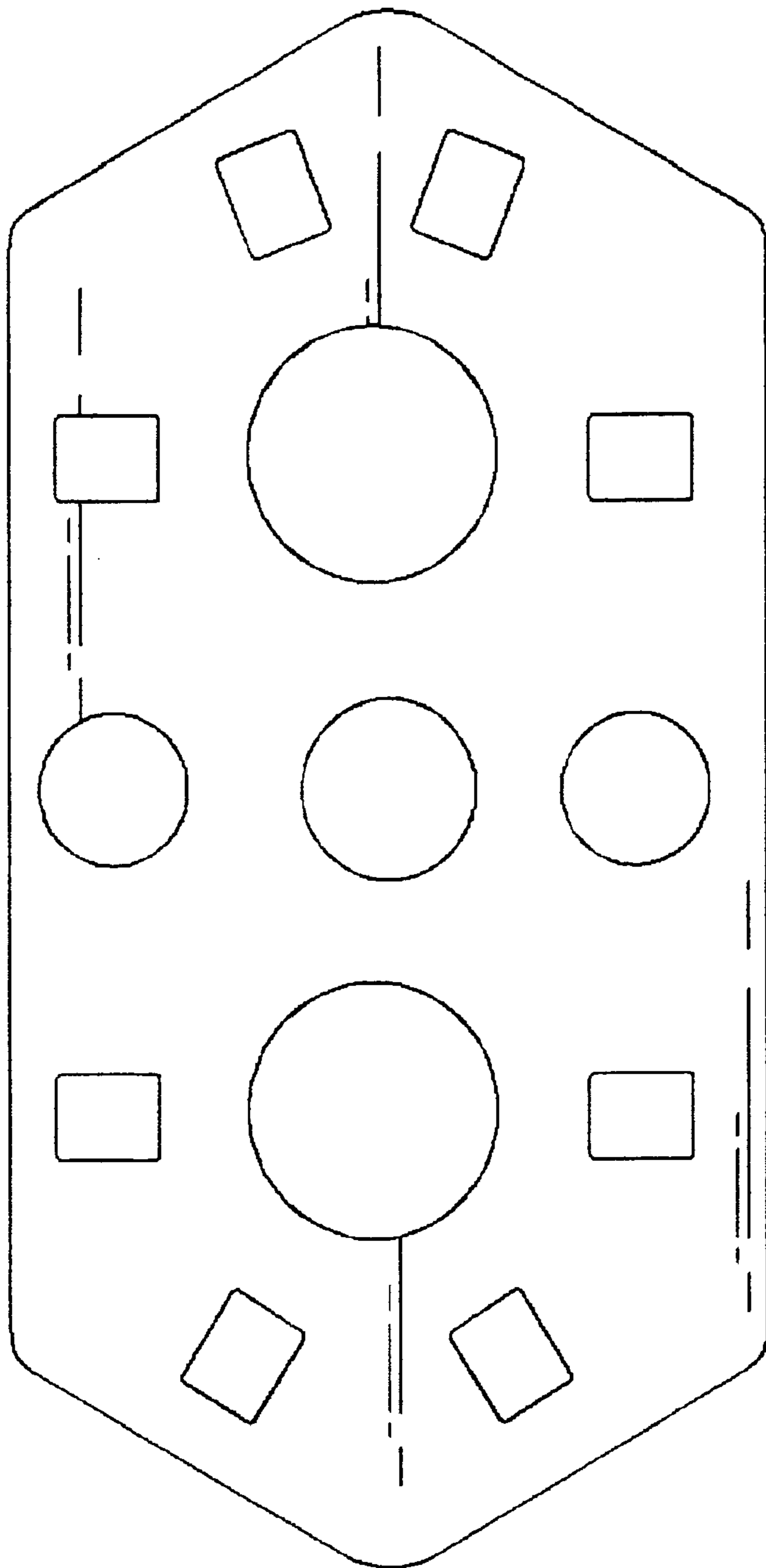


Fig. 7