



US00D436606S

(12) **United States Design Patent**
Ricci

(10) **Patent No.:** **US D436,606 S**

(45) **Date of Patent:** **** Jan. 23, 2001**

(54) **PORTABLE JOURNAL TURNING LATHE**

(76) Inventor: **Donato L. Ricci**, W8477-162nd Ave.,
Hager City, WI (US) 54015

(**) Term: **14 Years**

(21) Appl. No.: **29/114,581**

(22) Filed: **Nov. 30, 1999**

(51) **LOC (7) Cl.** **15-09**

(52) **U.S. Cl.** **D15/130**

(58) **Field of Search** D15/130; 82/128,
82/97, 113, 130-132

(56) **References Cited**

U.S. PATENT DOCUMENTS

5,810,522 * 9/1998 Parker 82/113 X

* cited by examiner

Primary Examiner—Antoine Duval Davis
(74) *Attorney, Agent, or Firm*—Nikolai, Mersereau &
Dietz, P.A.

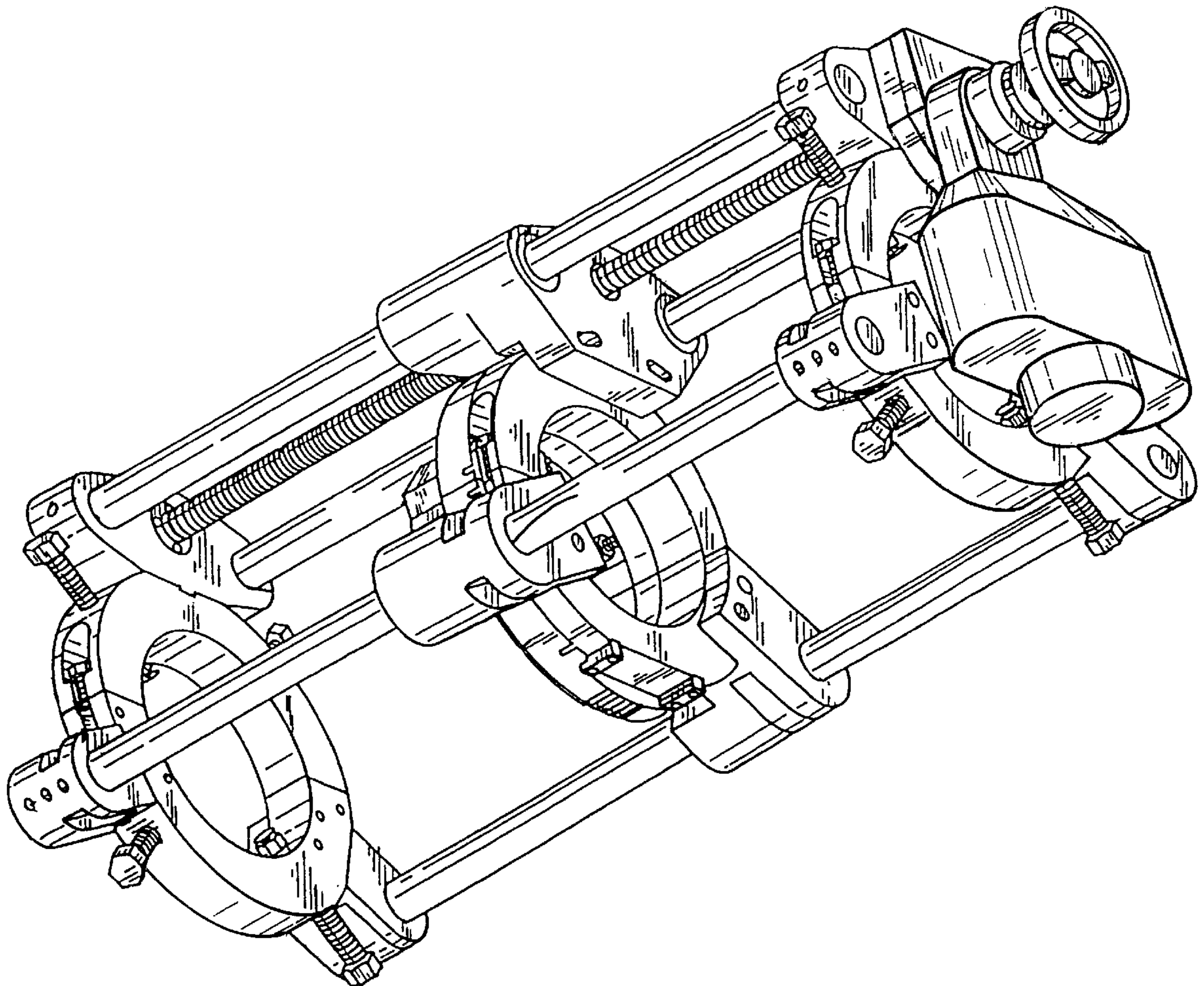
(57) **CLAIM**

The ornamental design for a “portable journal turning lathe,”
as shown and described.

DESCRIPTION

FIG. 1 is a perspective view of a portable journal turning
lathe showing my new design;
FIG. 2 is a front perspective view thereof;
FIG. 3 is a perspective rear view thereof;
FIG. 4 is a perspective top view thereof;
FIG. 5 is a perspective bottom view thereof;
FIG. 6 is a perspective right end view thereof; and,
FIG. 7 is a perspective left end view thereof.

1 Claim, 4 Drawing Sheets



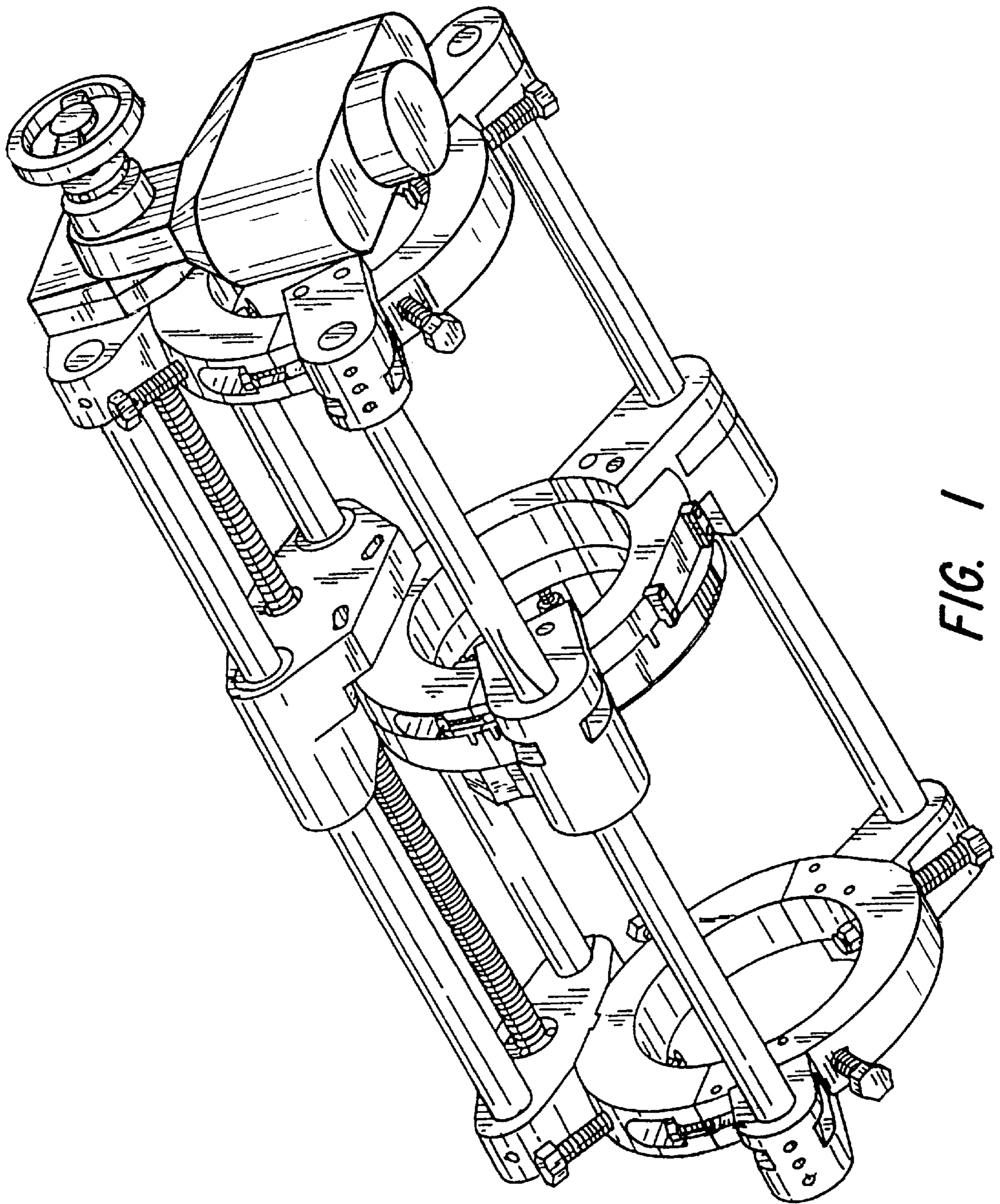


FIG. 1

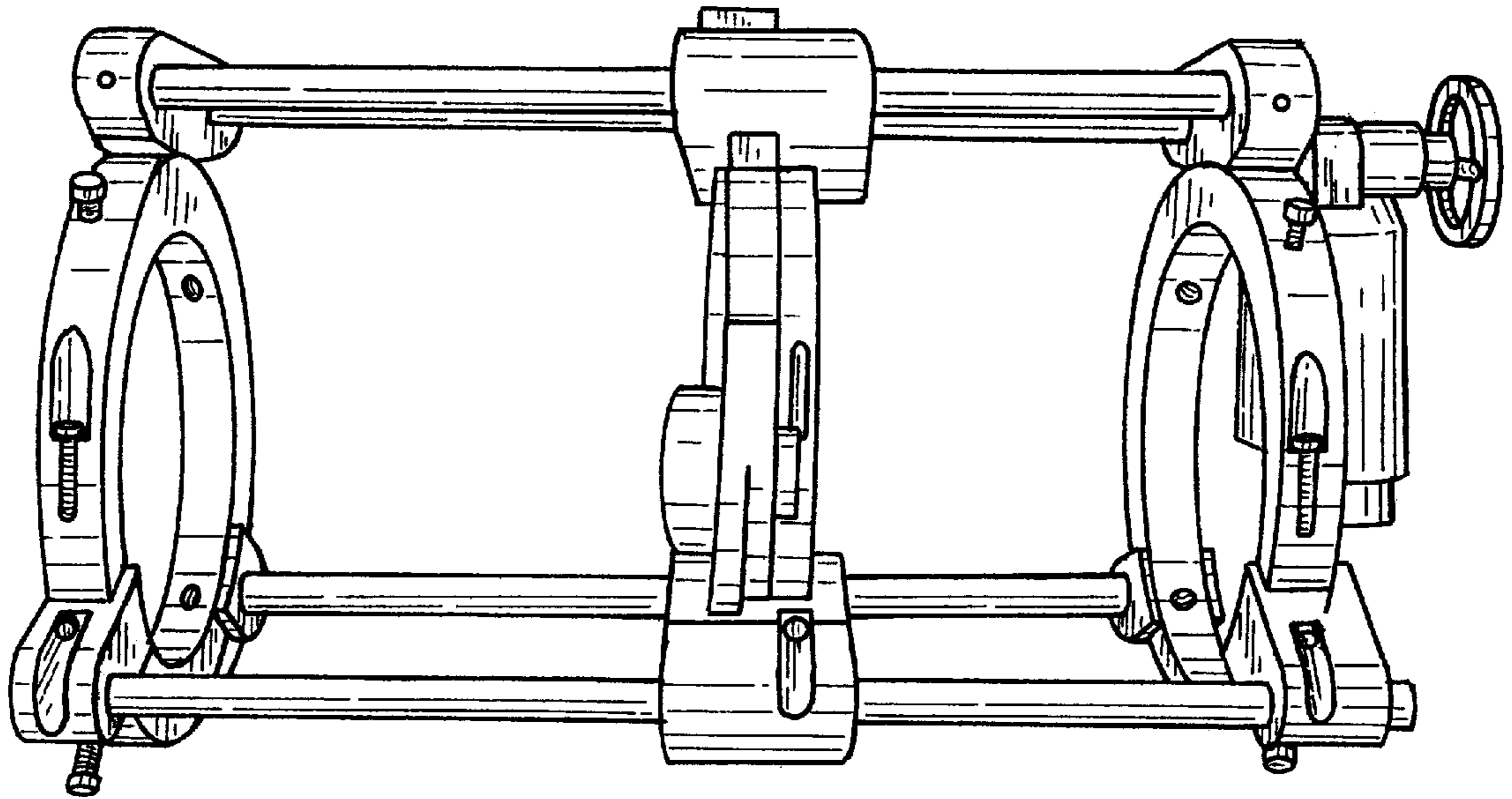


FIG. 2

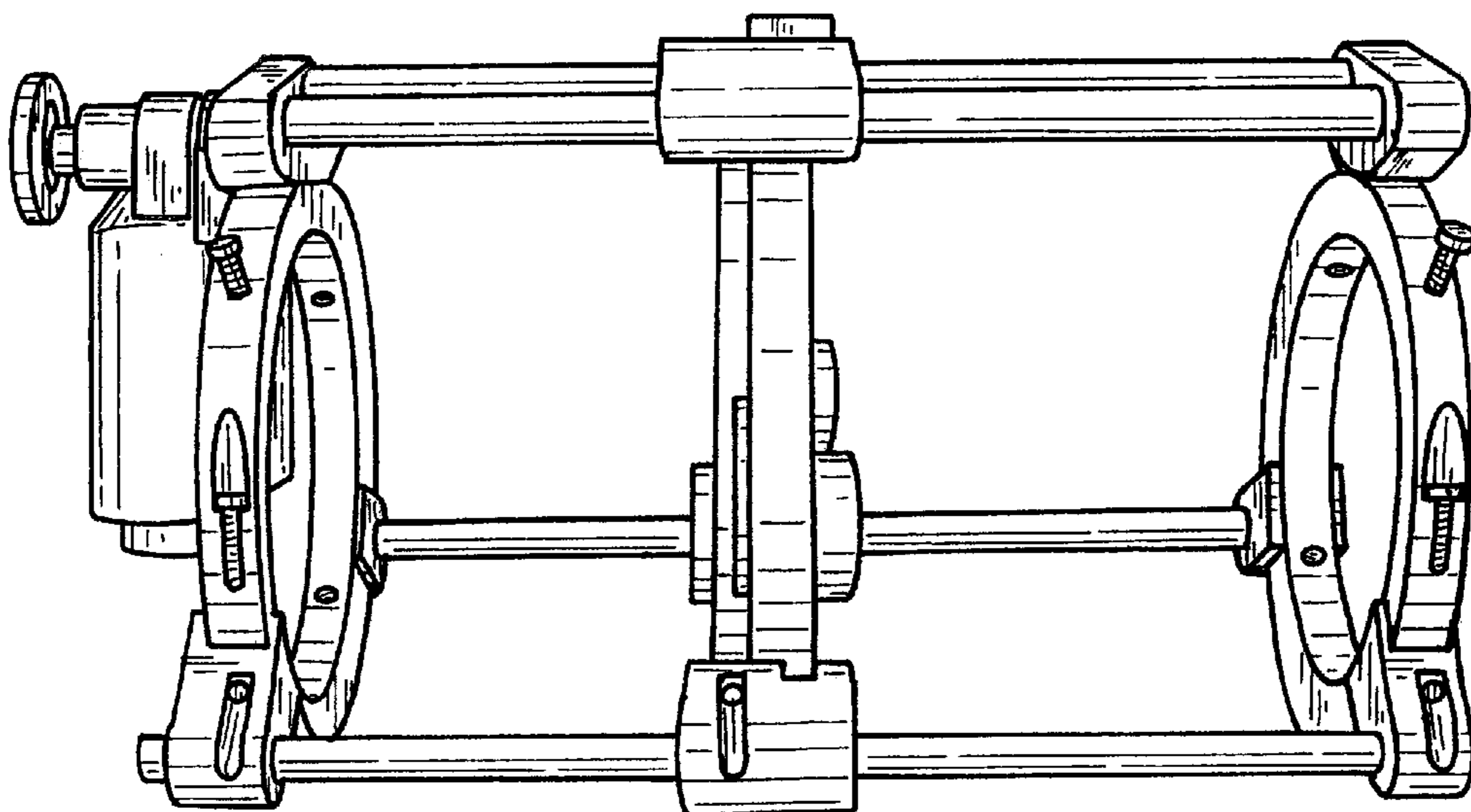


FIG. 3

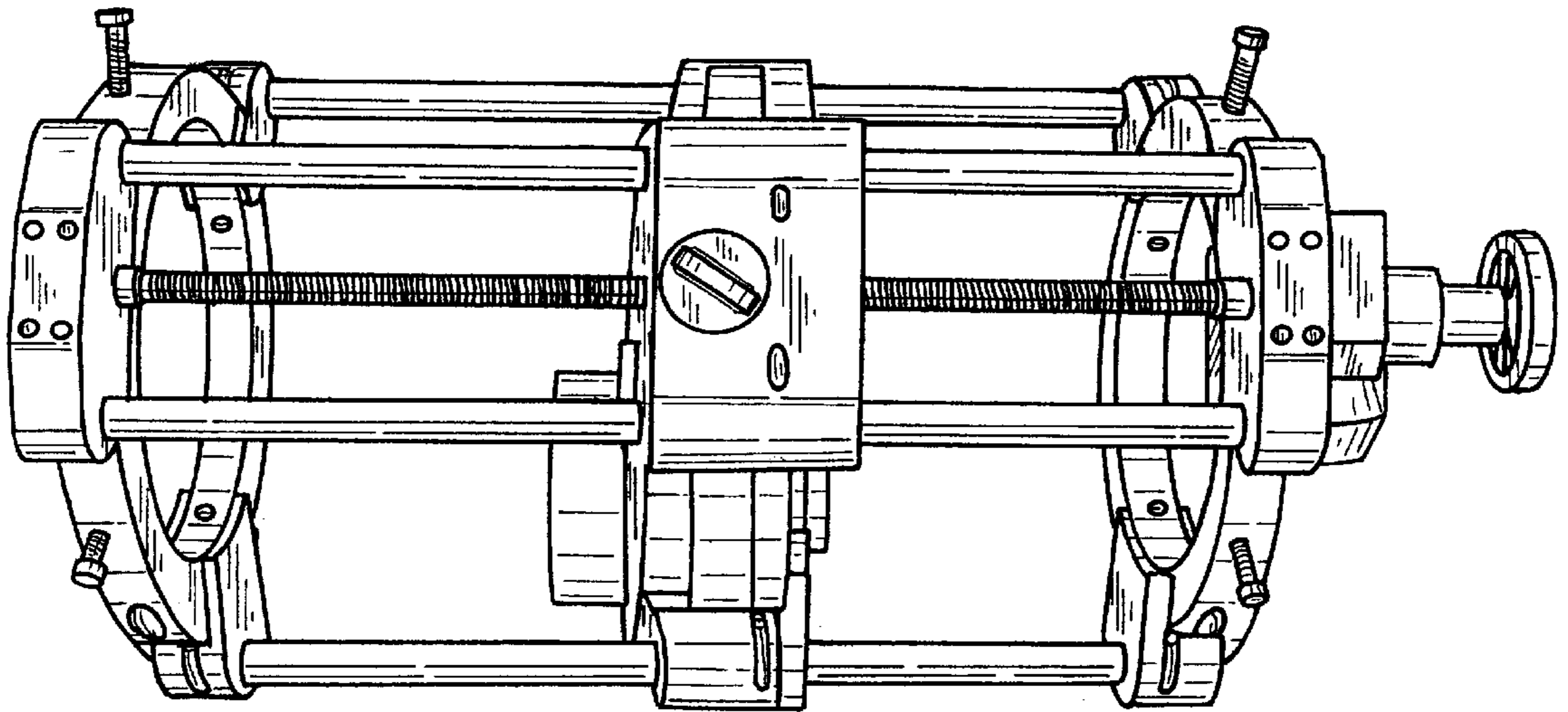


FIG. 4

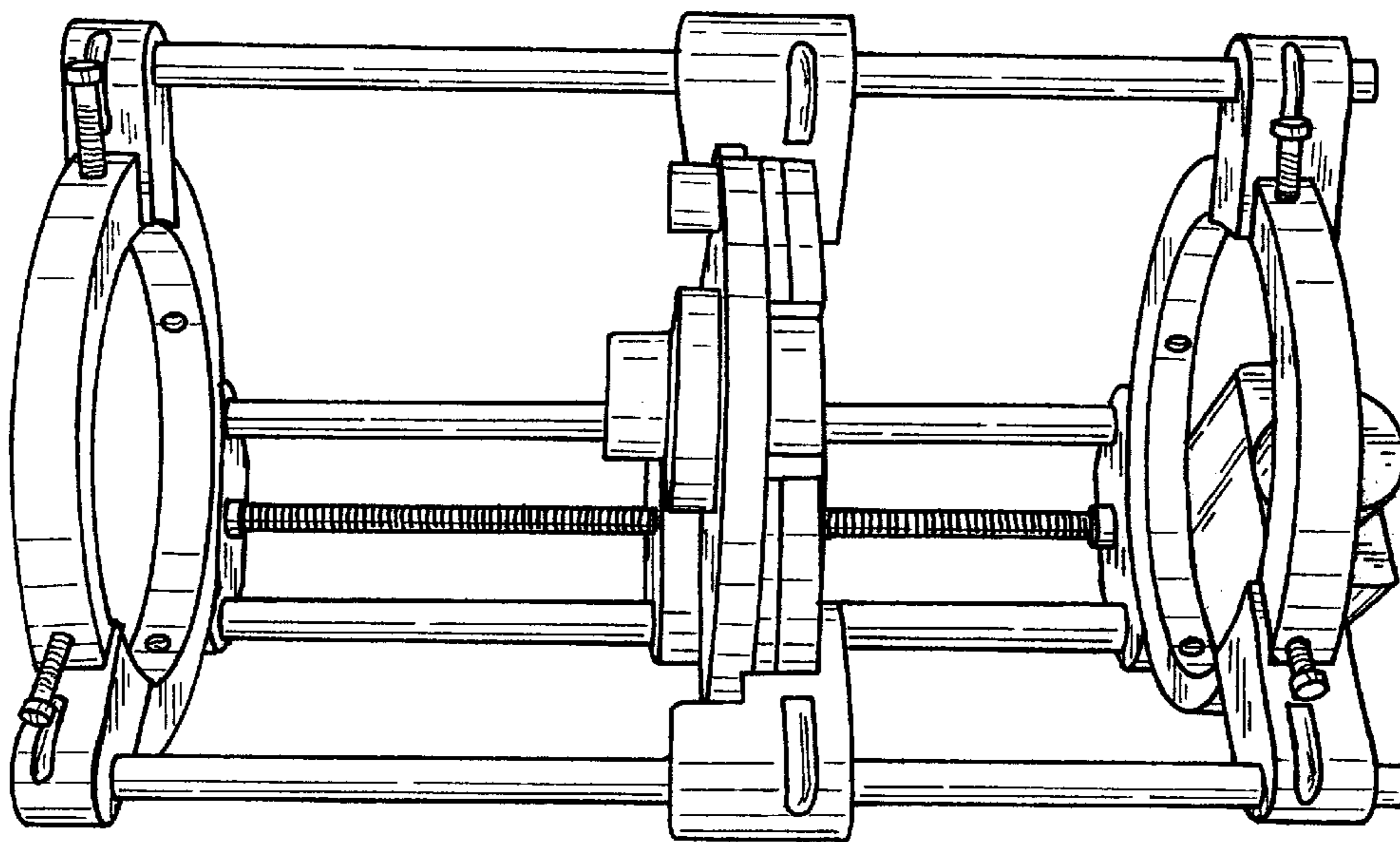


FIG. 5

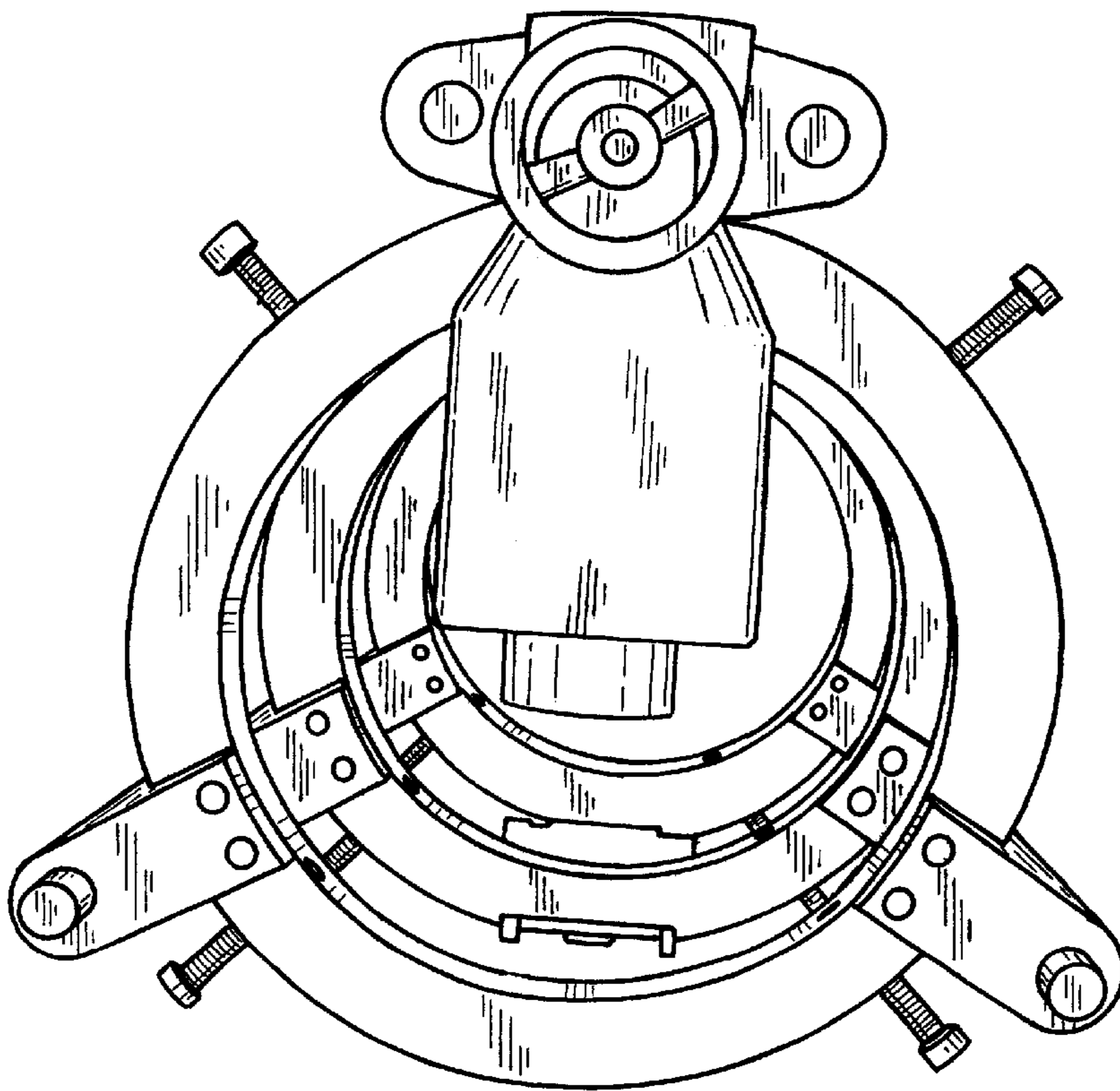


FIG. 6

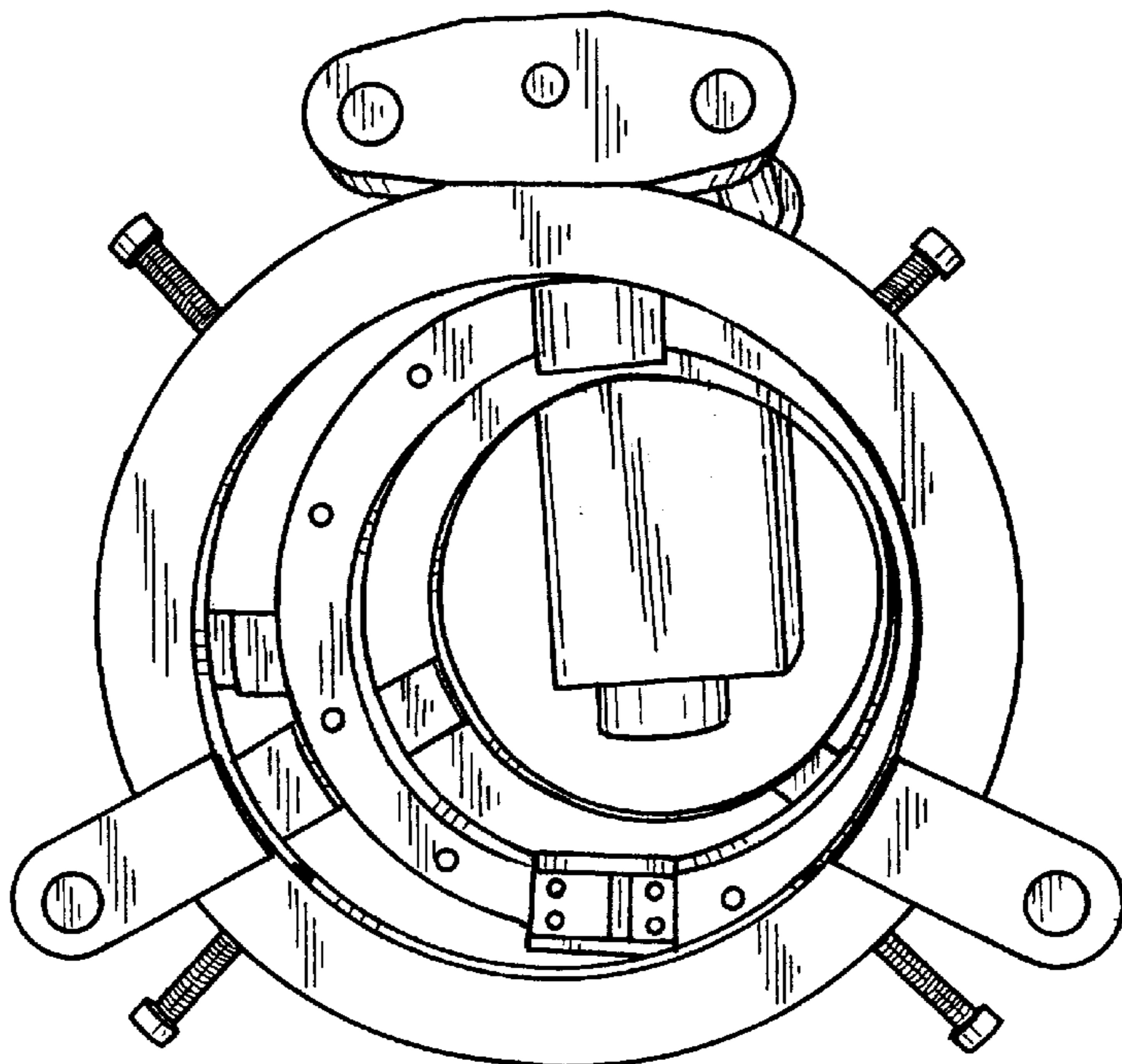


FIG. 7