



US00D436603S

(12) **United States Design Patent**
Mackie et al.

(10) **Patent No.:** **US D436,603 S**
(45) **Date of Patent:** **** Jan. 23, 2001**

(54) **COMPRESSION DRIVER COVER**

(75) Inventors: **Greg C. Mackie**, King County; **Joseph L. Erno**, Snohomish, both of WA (US)

(73) Assignee: **Mackie Designs Inc.**, Woodinville, WA (US)

(**) Term: **14 Years**

(21) Appl. No.: **29/121,262**

(22) Filed: **Apr. 4, 2000**

(51) **LOC (7) Cl.** **15-02**

(52) **U.S. Cl.** **D15/9**

(58) **Field of Search** D15/7-9; 290/43; 123/196 S; 415/5, 219 R; 417/65, 237, 321, 349, 405, 572, 395, 413, 375

(56) **References Cited**

U.S. PATENT DOCUMENTS

- D. 262,884 * 2/1982 Fessler D15/7
- D. 294,582 * 3/1988 Showman D15/7
- D. 329,650 * 9/1992 Whitley, II D15/7

* cited by examiner

Primary Examiner—Ralf Seifert

(74) *Attorney, Agent, or Firm*—Christensen O'Connor Johnson Kindness PLLC

(57) **CLAIM**

The ornamental design for a compression driver cover, as shown and described.

DESCRIPTION

FIG. 1 is a perspective view of a first embodiment of the present invention;

FIG. 2 is a front view thereof;

FIG. 3 is a right side elevational view thereof;

FIG. 4 is a rear view thereof;

FIG. 5 is a left side view thereof;

FIG. 6 is a top plan view thereof;

FIG. 7 is a bottom plan view thereof;

FIG. 8 is a perspective view of a second embodiment of the present invention;

FIG. 9 is a front view of the second embodiment thereof;

FIG. 10 is a right side view of the second embodiment thereof;

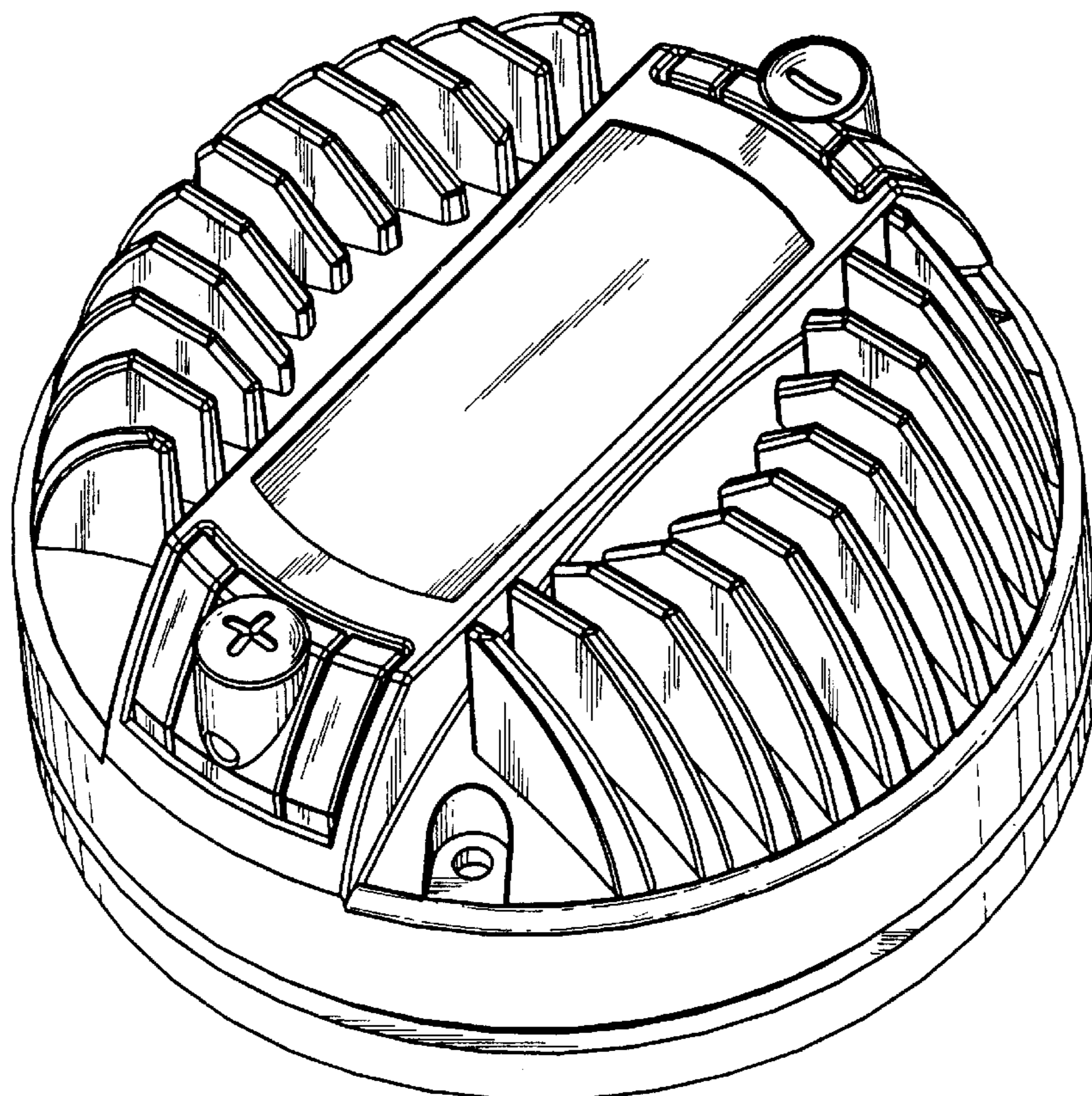
FIG. 11 is a rear view of the second embodiment thereof;

FIG. 12 is a left side view of the second embodiment thereof;

FIG. 13 is a top plan view of the second embodiment thereof; and,

FIG. 14 is a bottom plan view of the second embodiment thereof.

1 Claim, 6 Drawing Sheets



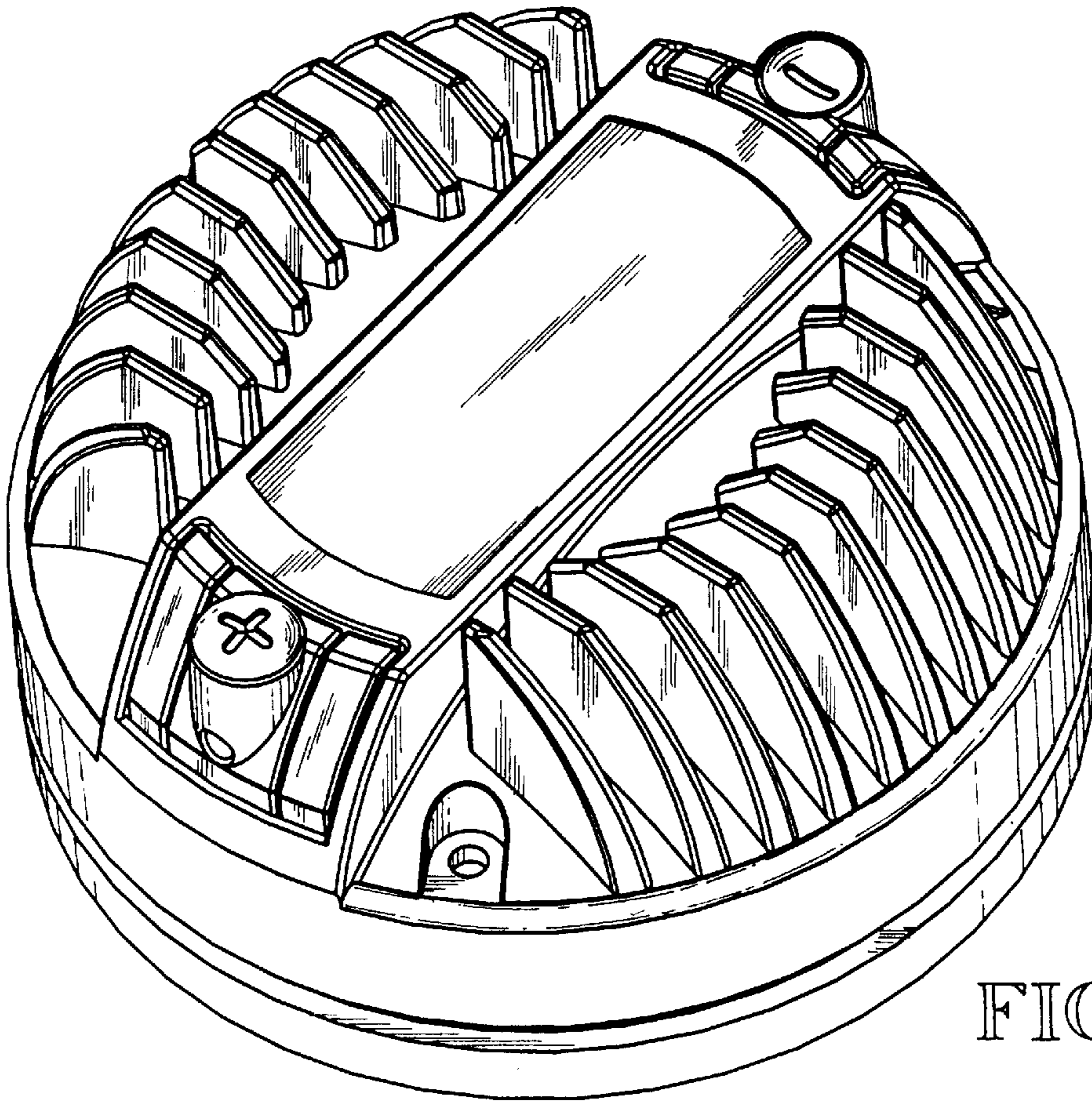


FIG. 1

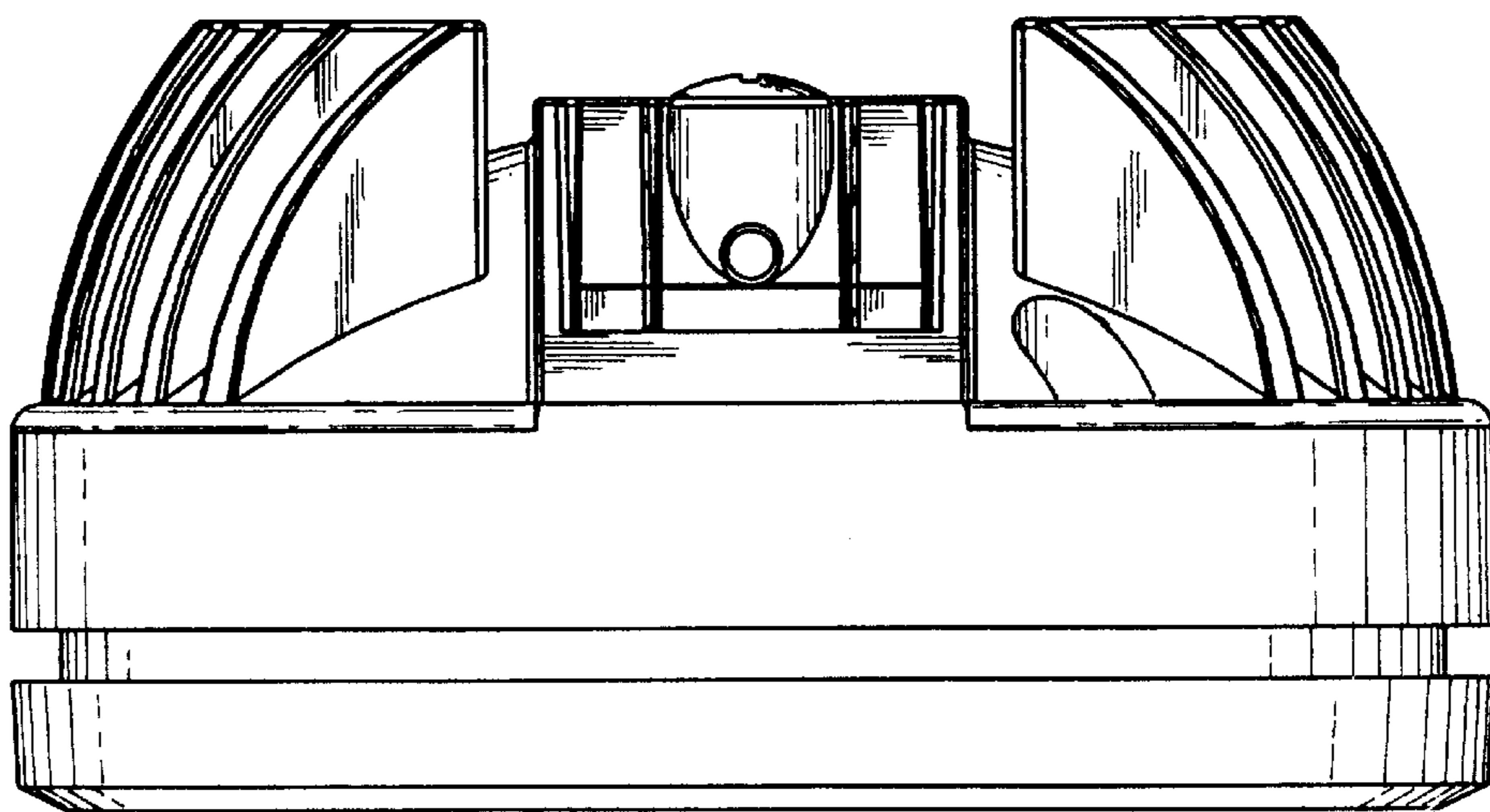


FIG. 2

FIG. 3

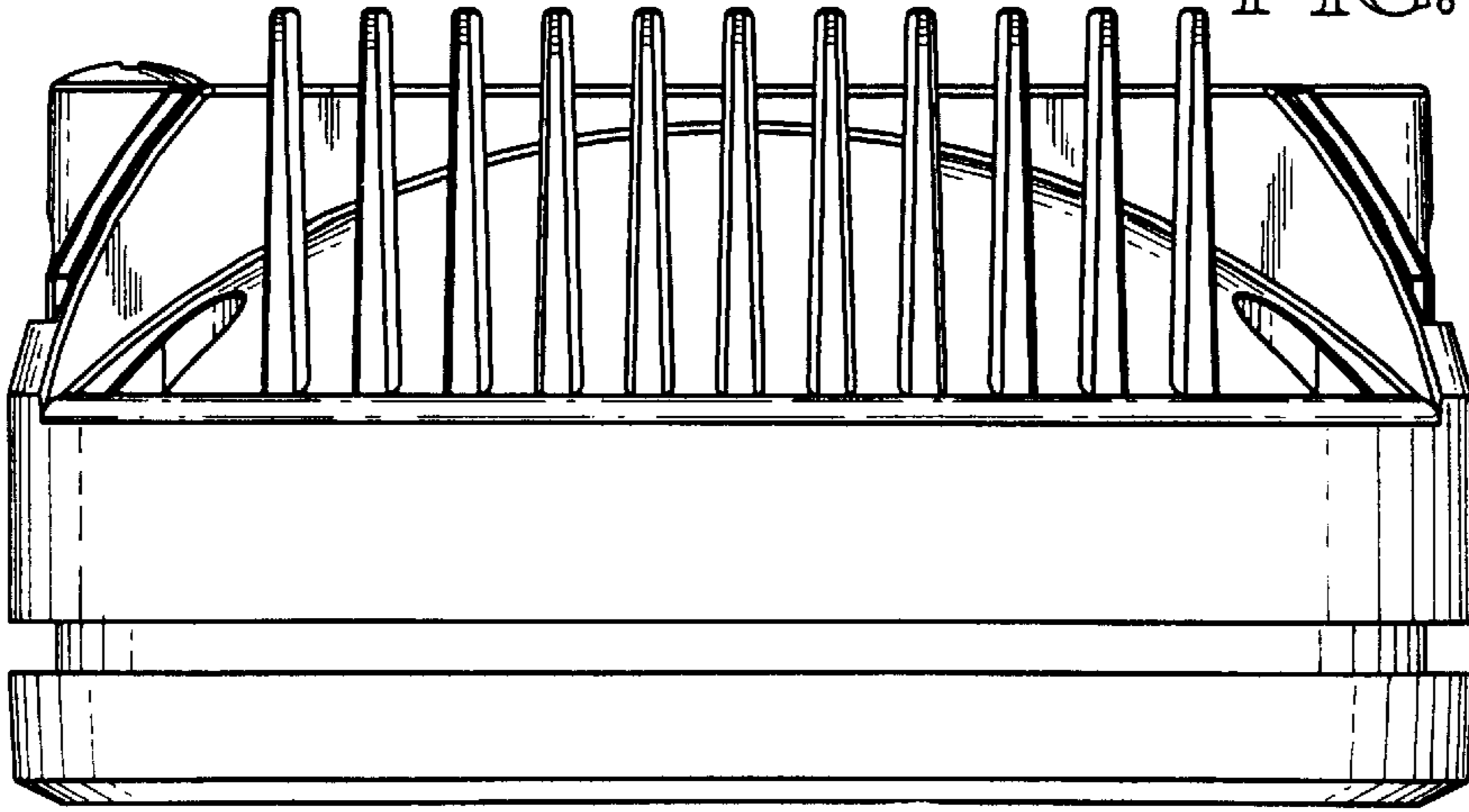


FIG. 4

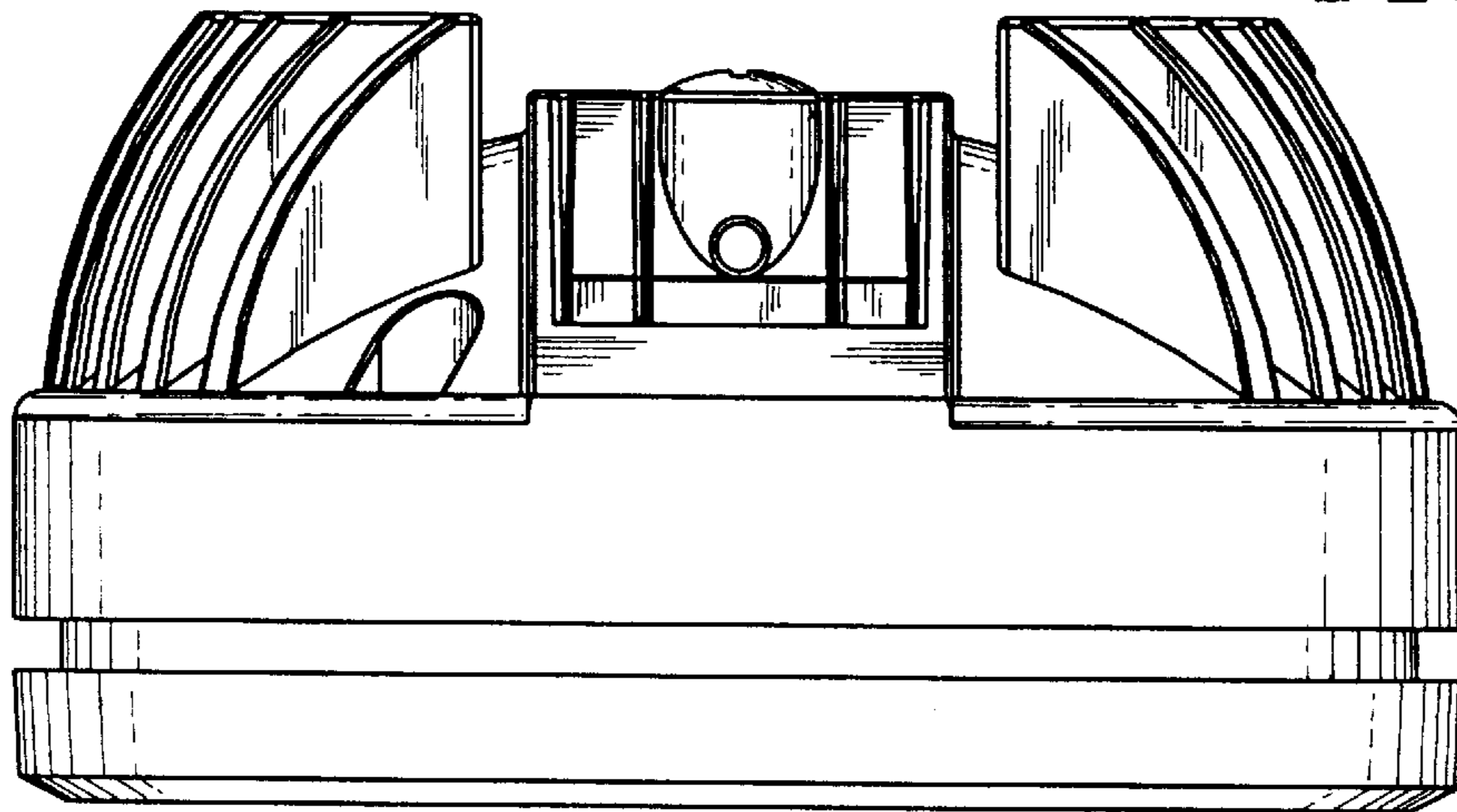
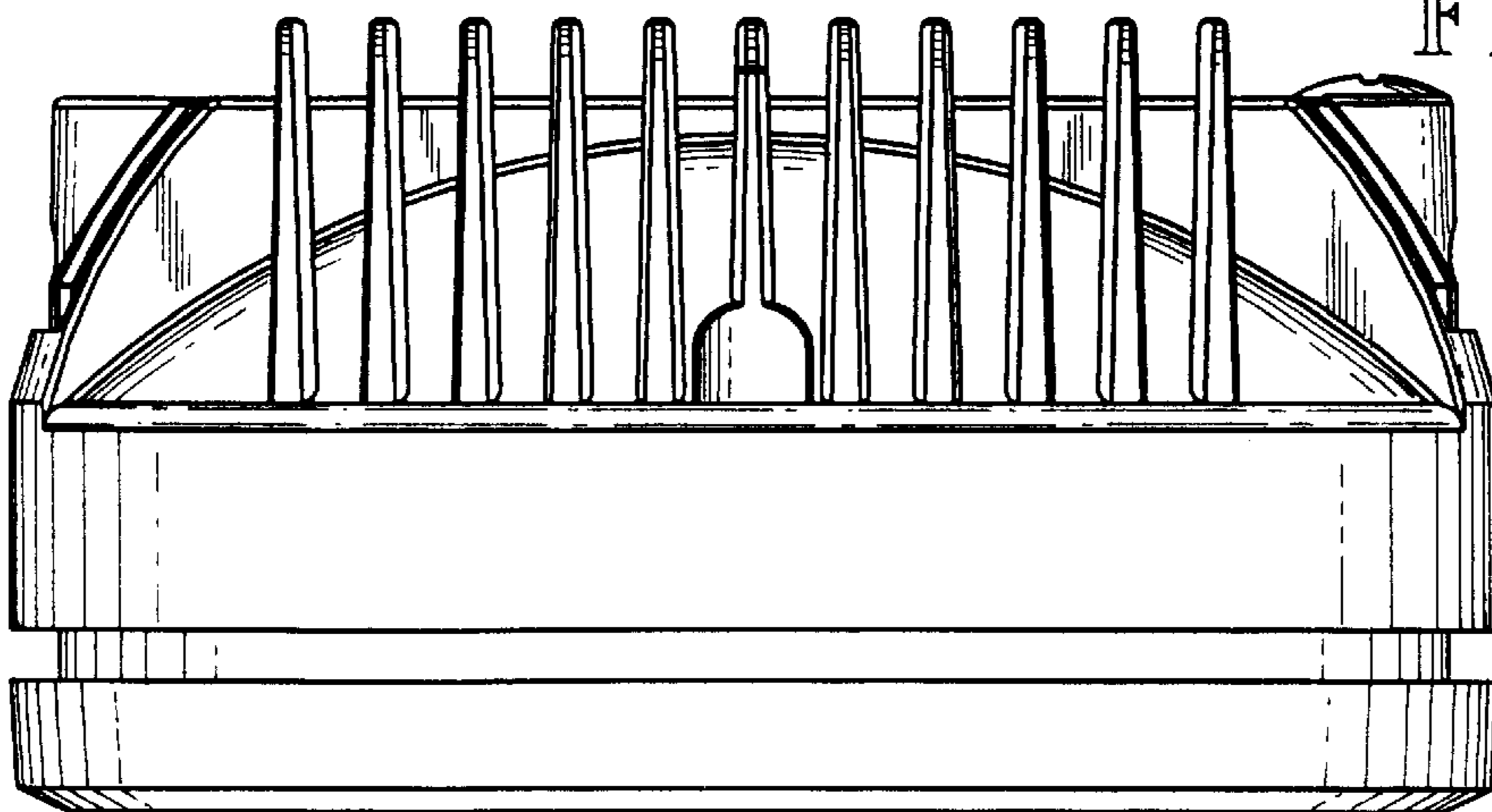


FIG. 5



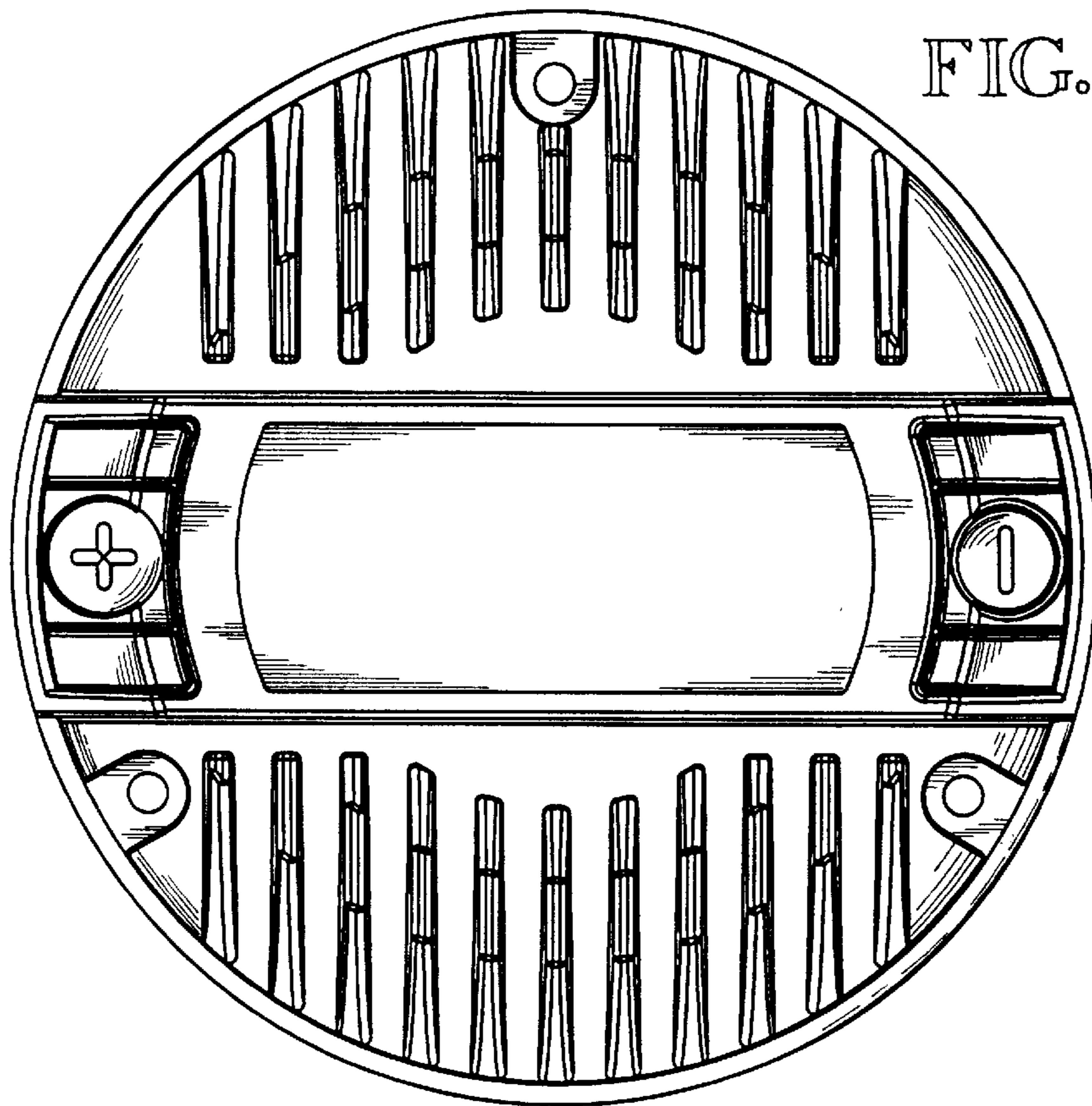


FIG. 6

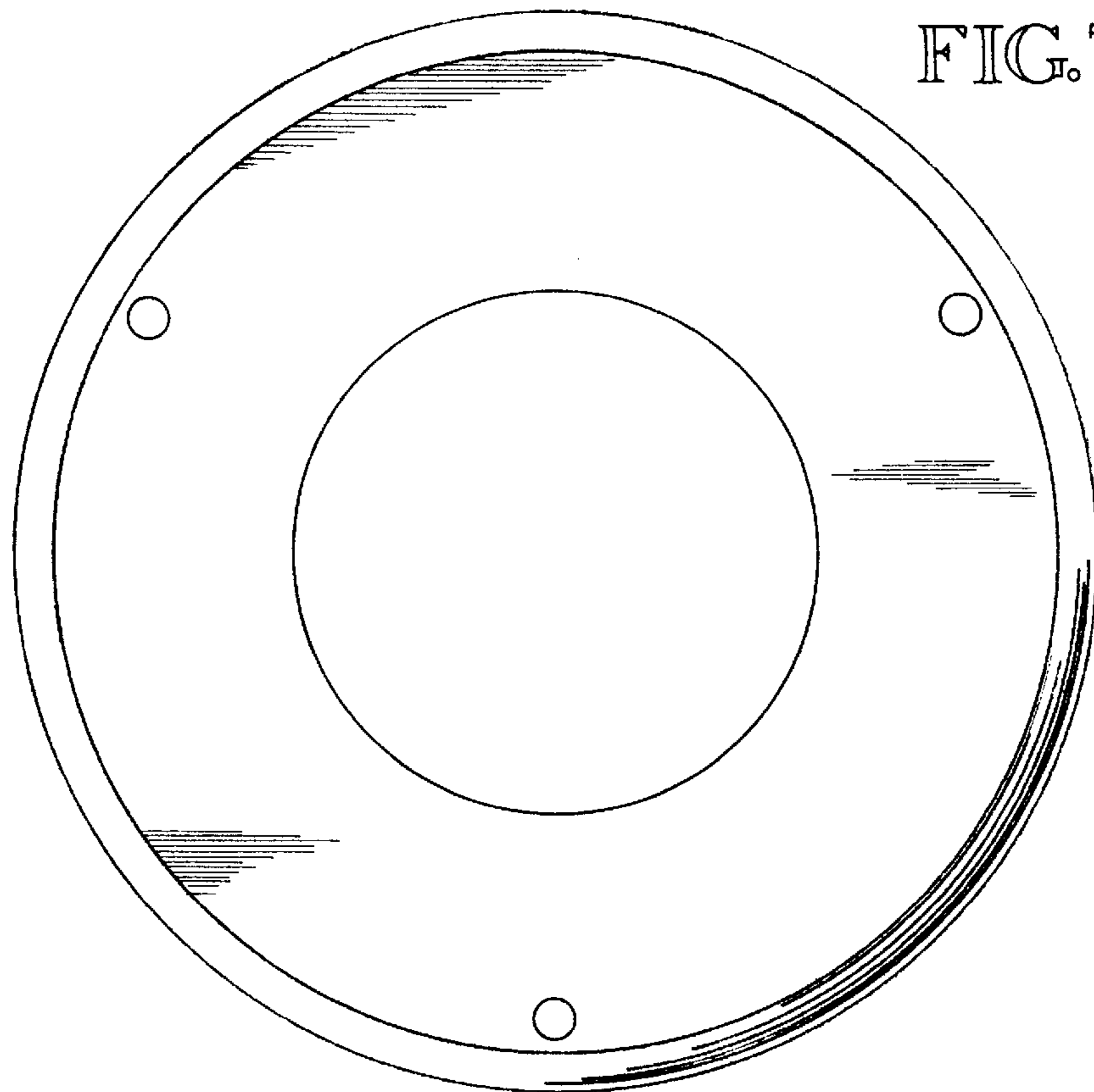


FIG. 7

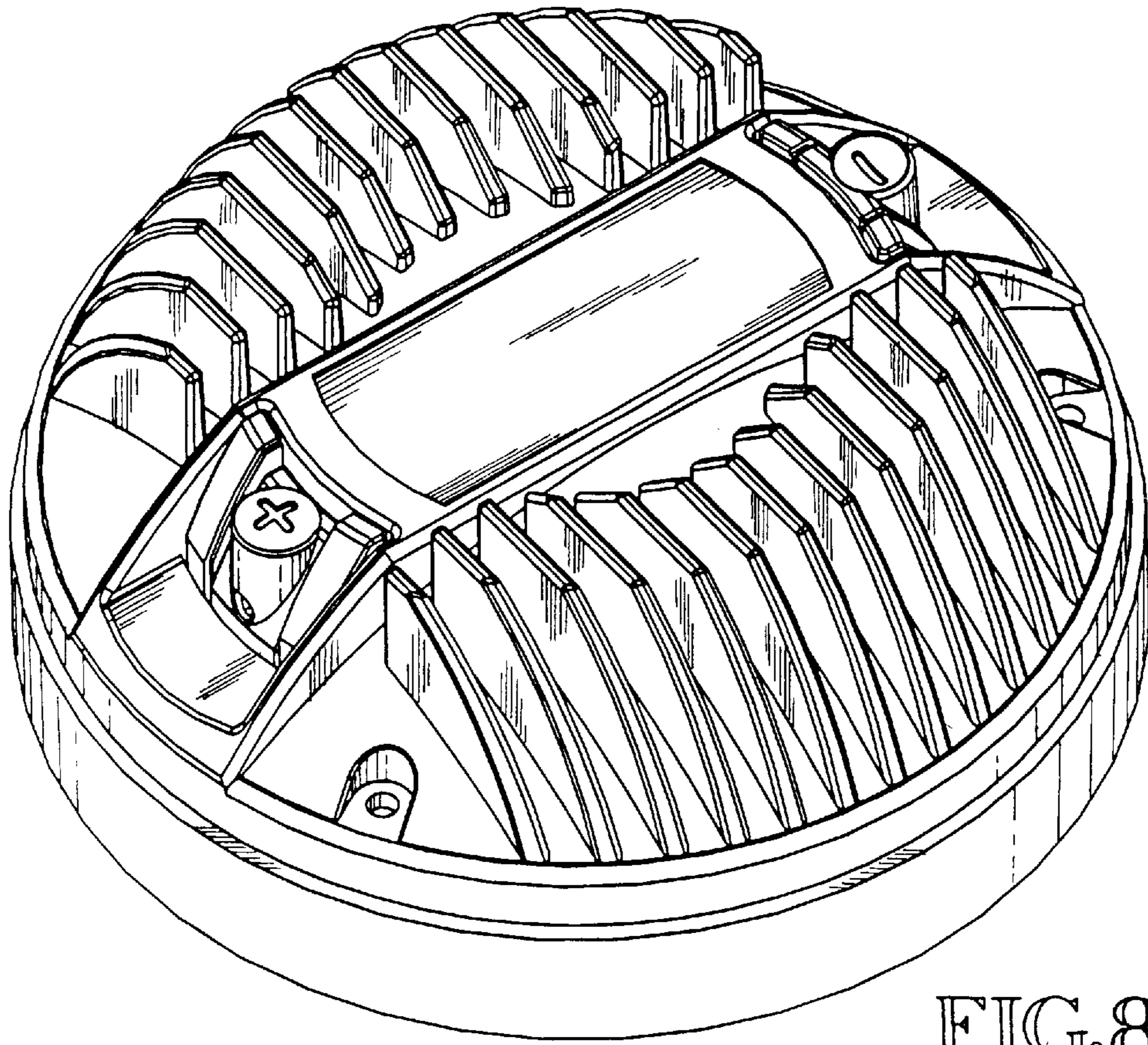


FIG. 8

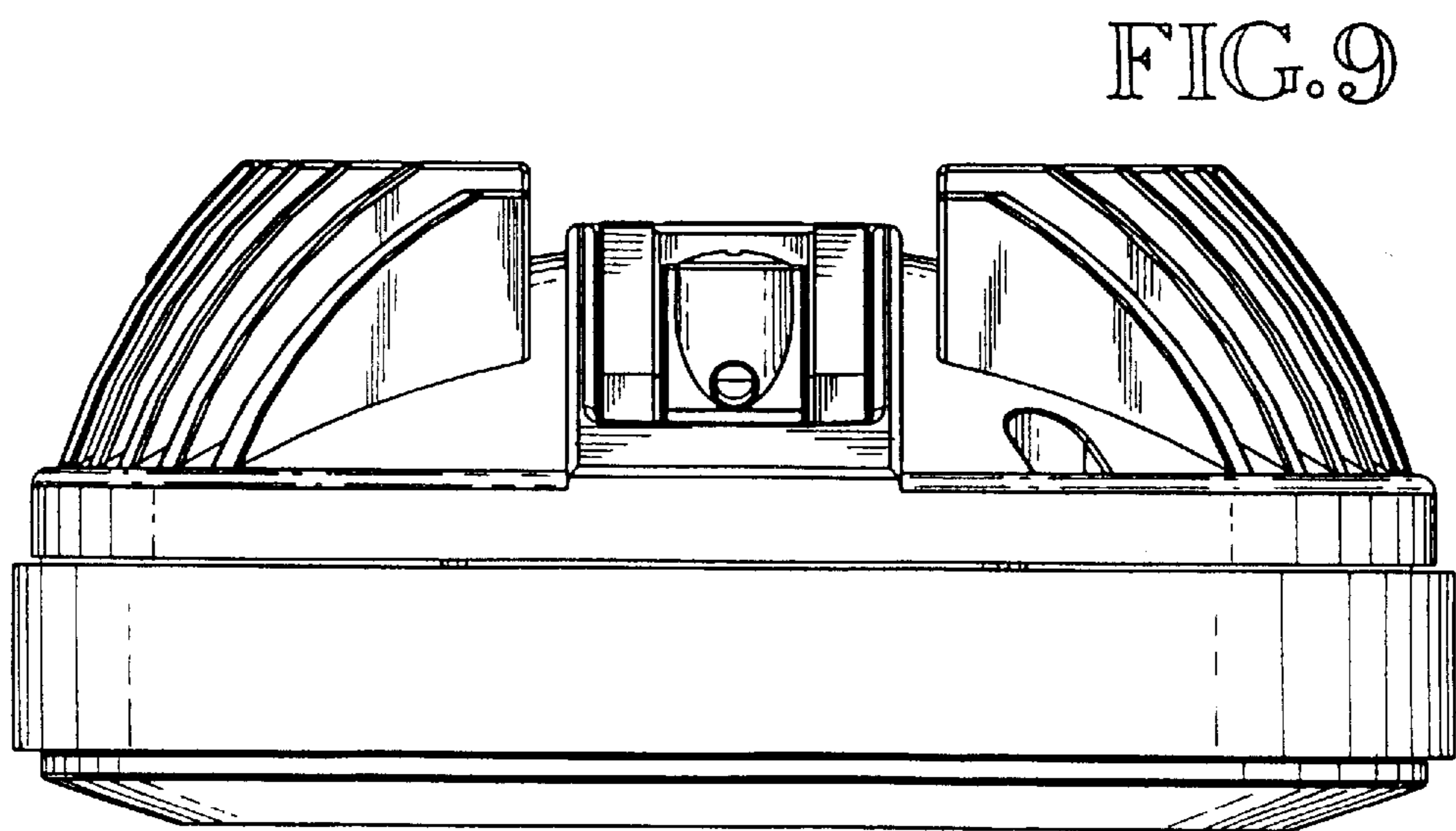


FIG. 9

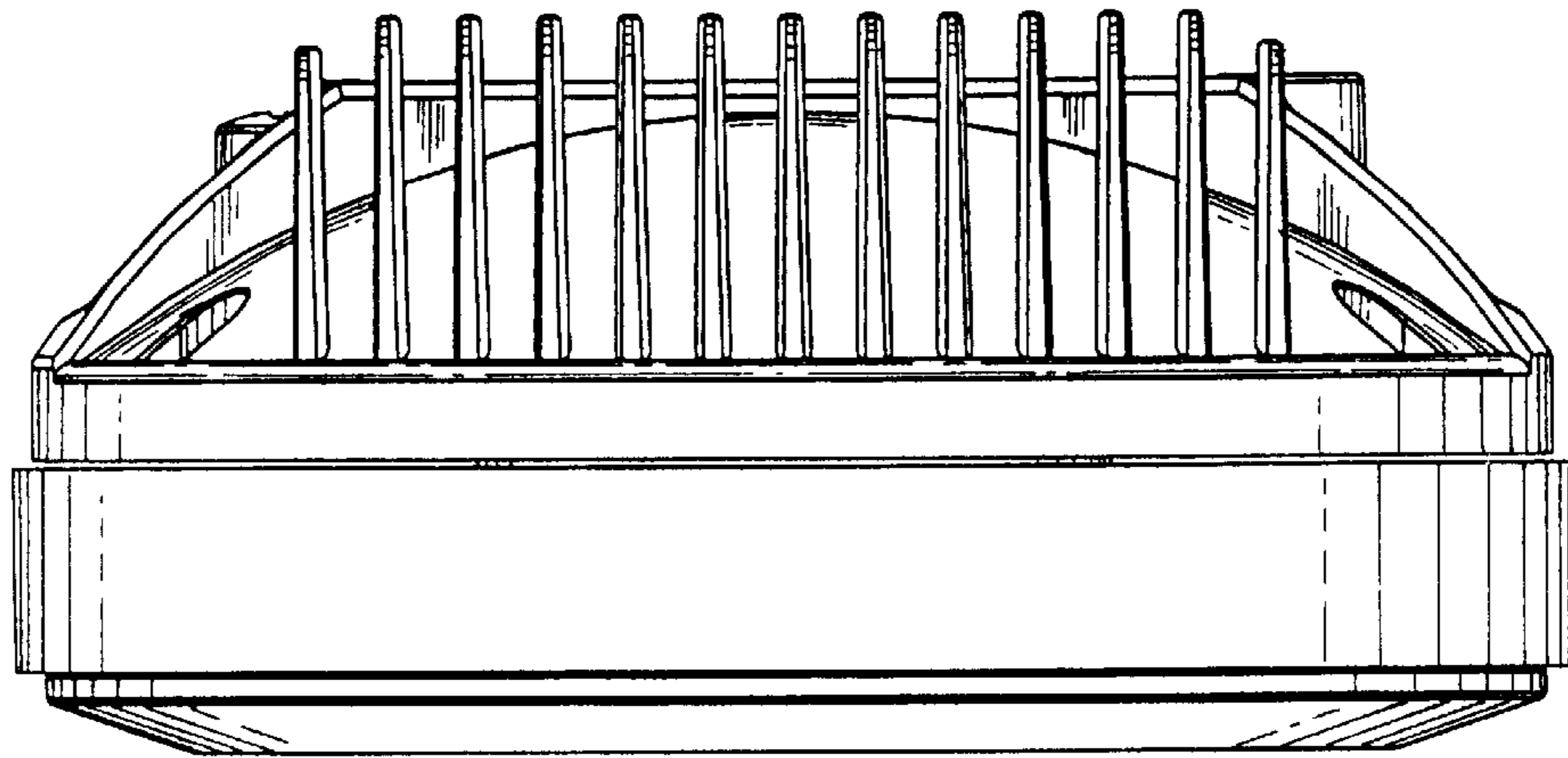


FIG. 10

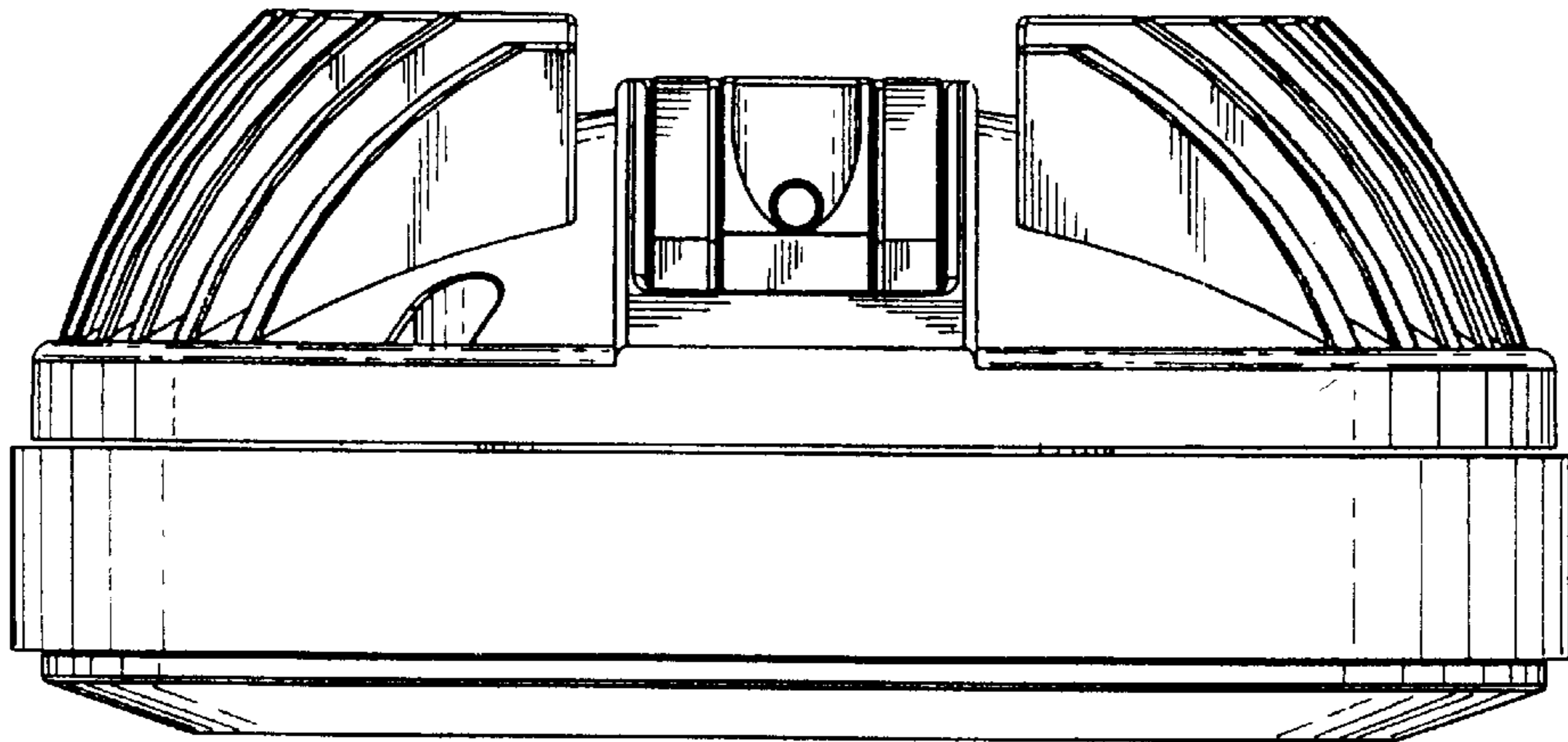


FIG. 11

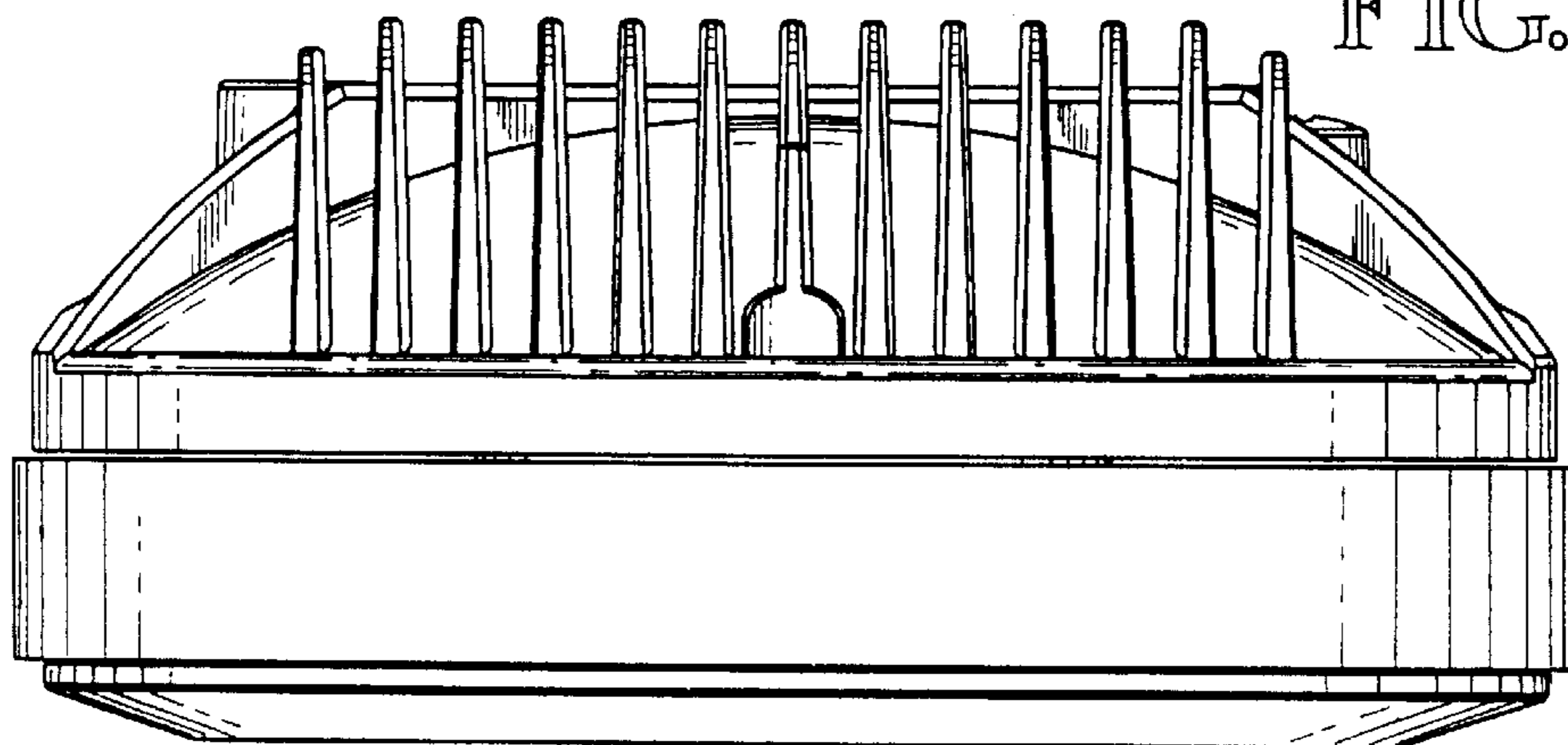


FIG. 12

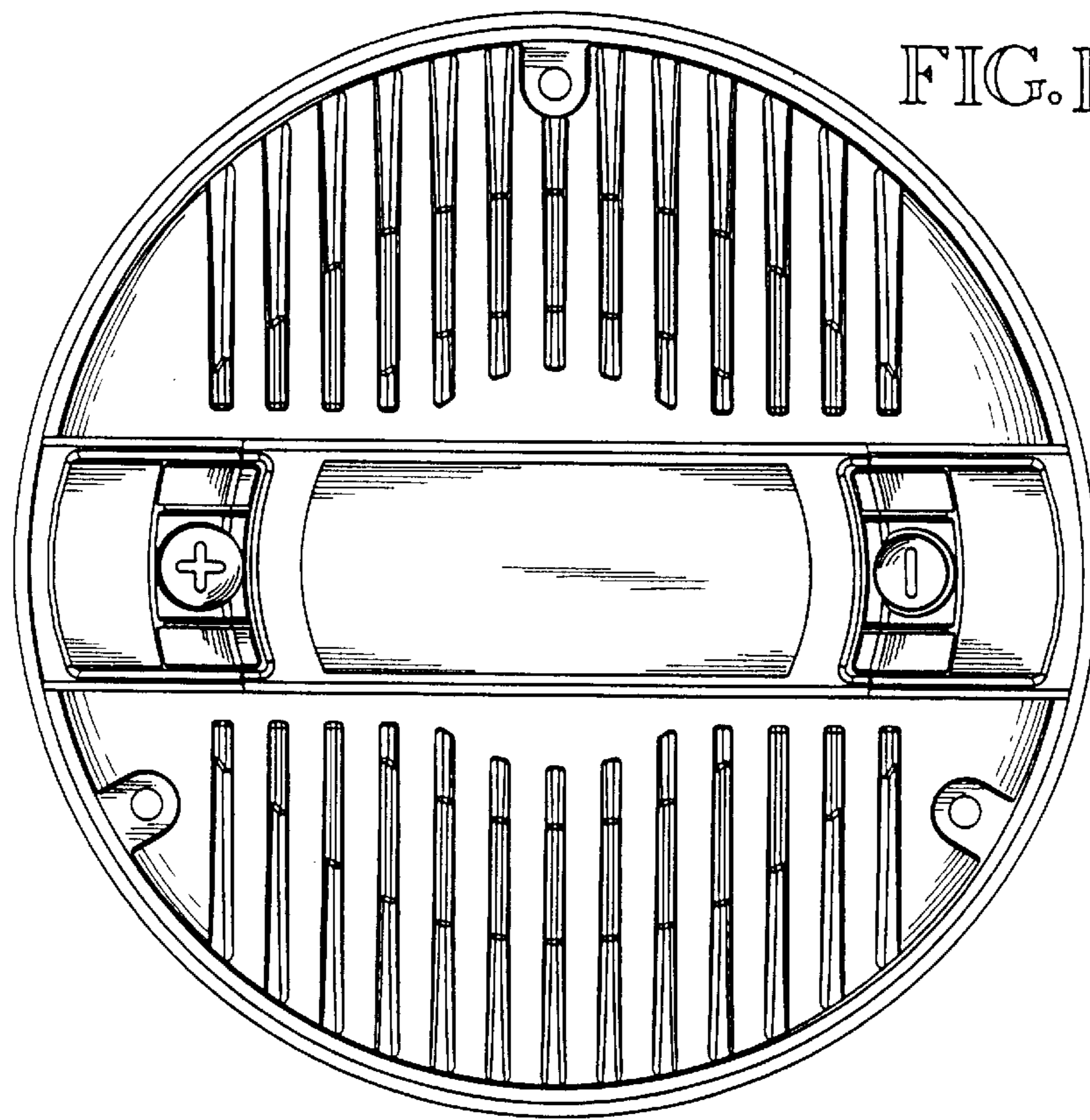


FIG. 13

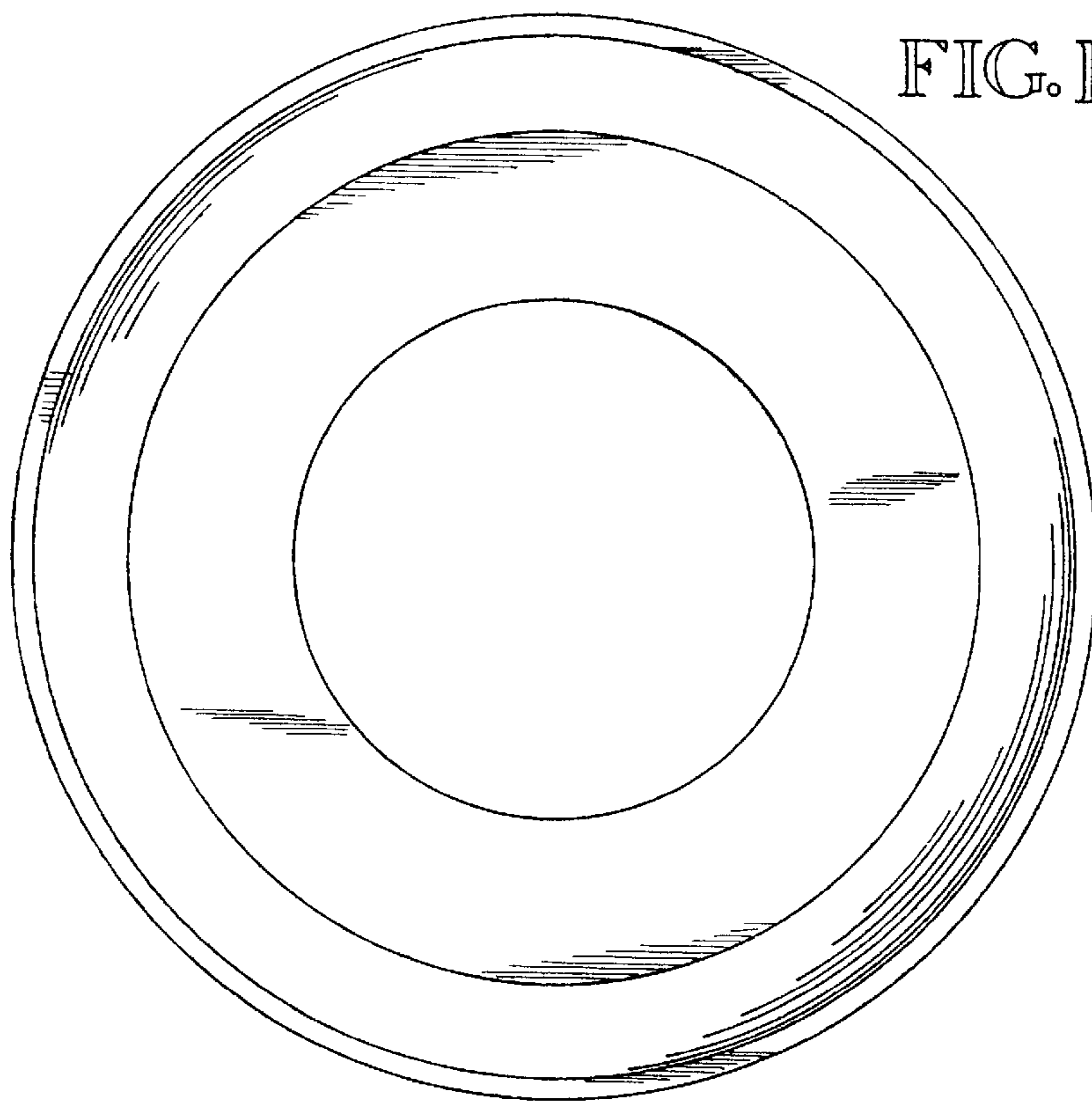


FIG. 14