



US00D436602S

(12) **United States Design Patent**
Wang

(10) **Patent No.:** **US D436,602 S**

(45) **Date of Patent:** **** Jan. 23, 2001**

(54) **AIR COMPRESSOR ASSEMBLY**

(75) Inventor: **Ming-Hsieng Wang**, Taipei (TW)

(73) Assignee: **Coido Corporation**, Tainan Hsien (TW)

(**) Term: **14 Years**

(21) Appl. No.: **29/114,450**

(22) Filed: **Nov. 26, 1999**

(51) **LOC (7) Cl.** **15-01**

(52) **U.S. Cl.** **D15/9**

(58) **Field of Search** D15/7-9; D9/345, D9/347, 337, 420, 423, 341; 417/234, 411

(56) **References Cited**

U.S. PATENT DOCUMENTS

- D. 273,178 * 3/1984 Dunlap D15/9
- D. 293,583 * 1/1988 Dunlap D15/7
- D. 323,329 * 1/1992 Wong D15/9
- D. 341,143 * 11/1993 Beaver D15/7

D. 413,123 * 8/1999 Leonhard et al. D15/7

* cited by examiner

Primary Examiner—Ralf Seifert

(57) **CLAIM**

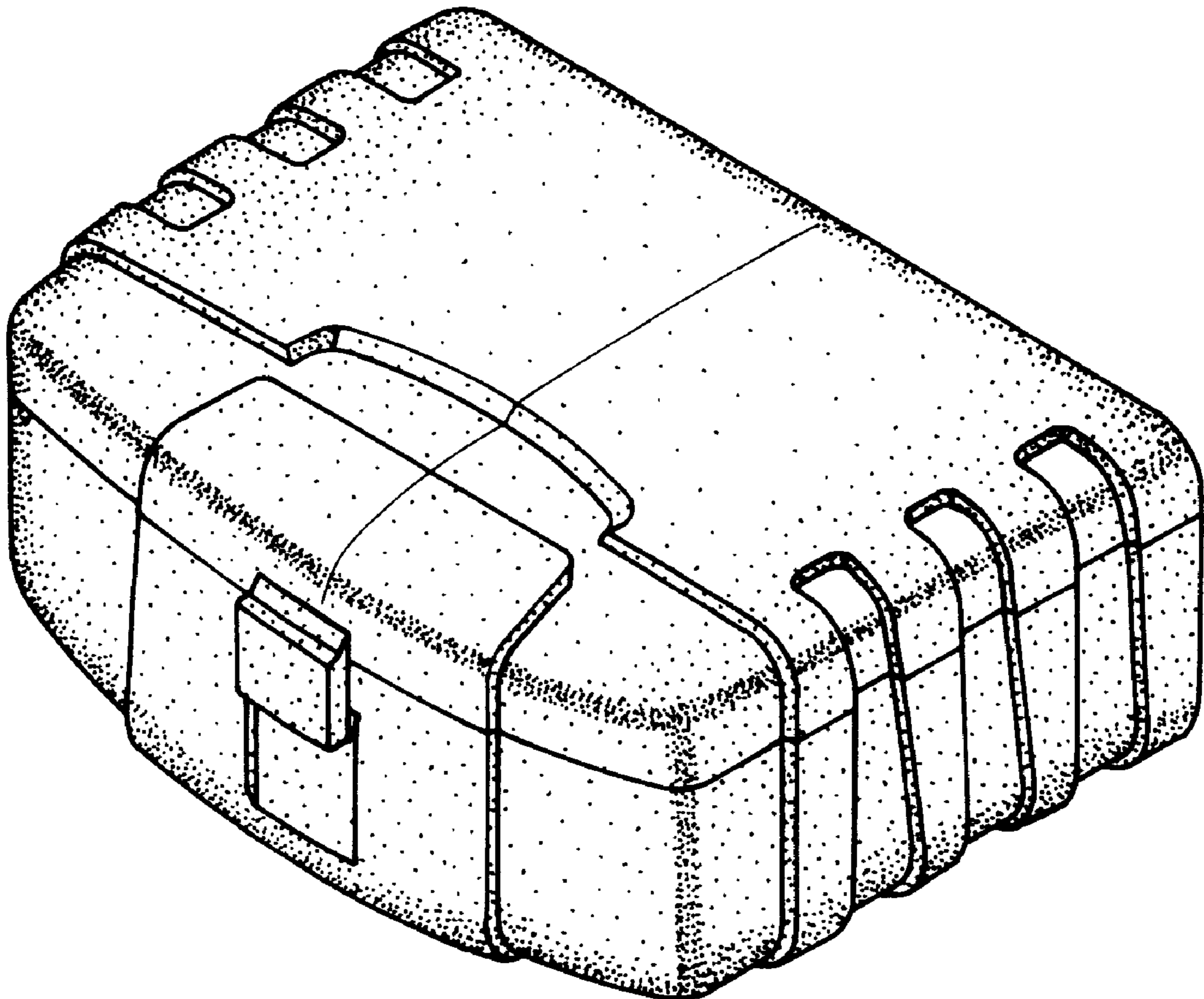
The ornamental design for air compressor assembly, as shown and described.

DESCRIPTION

FIG. 1 is a perspective view of air compressor assembly showing my design;
 FIG. 2 is a front elevational view thereof;
 FIG. 3 is a rear elevational view thereof;
 FIG. 4 is a left side elevational view thereof;
 FIG. 5 is a right side elevational view thereof;
 FIG. 6 is a top plan view thereof;
 FIG. 7 is a bottom plan view thereof; and,
 FIG. 8 is an illustrative view for use.

The surface(s) or portion(s) of the article not shown in the drawing or described in the specification form(s) no part of the claimed design.

1 Claim, 5 Drawing Sheets



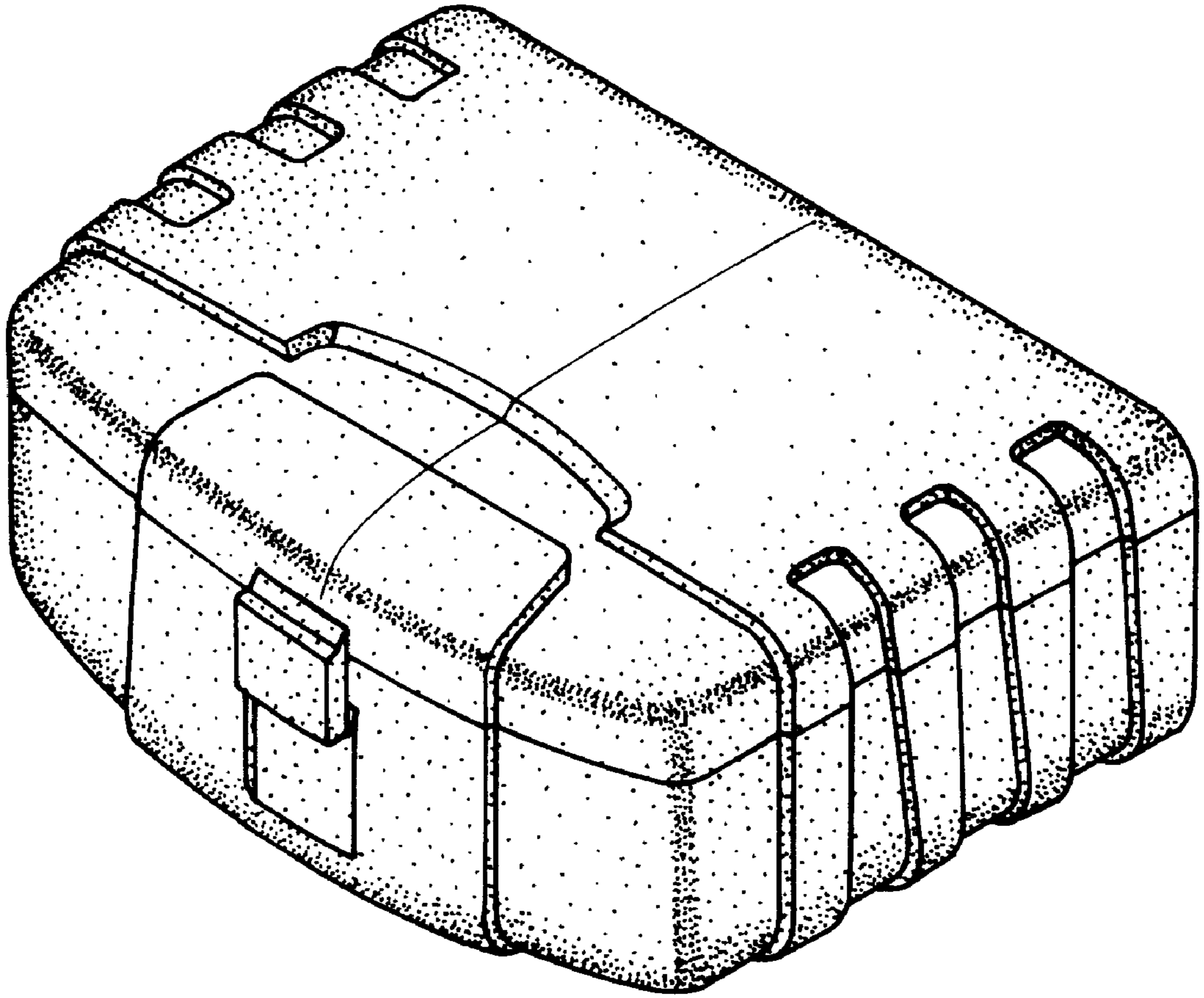


FIG. 1

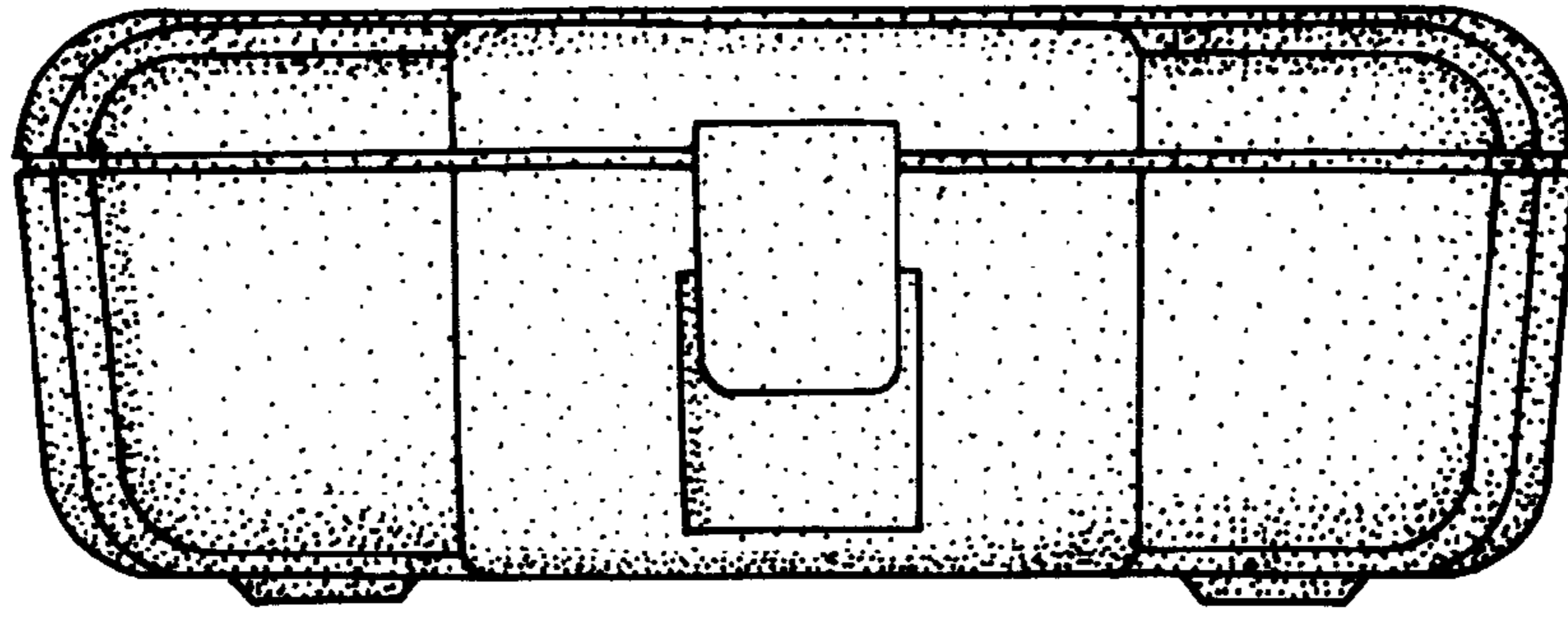


FIG. 2

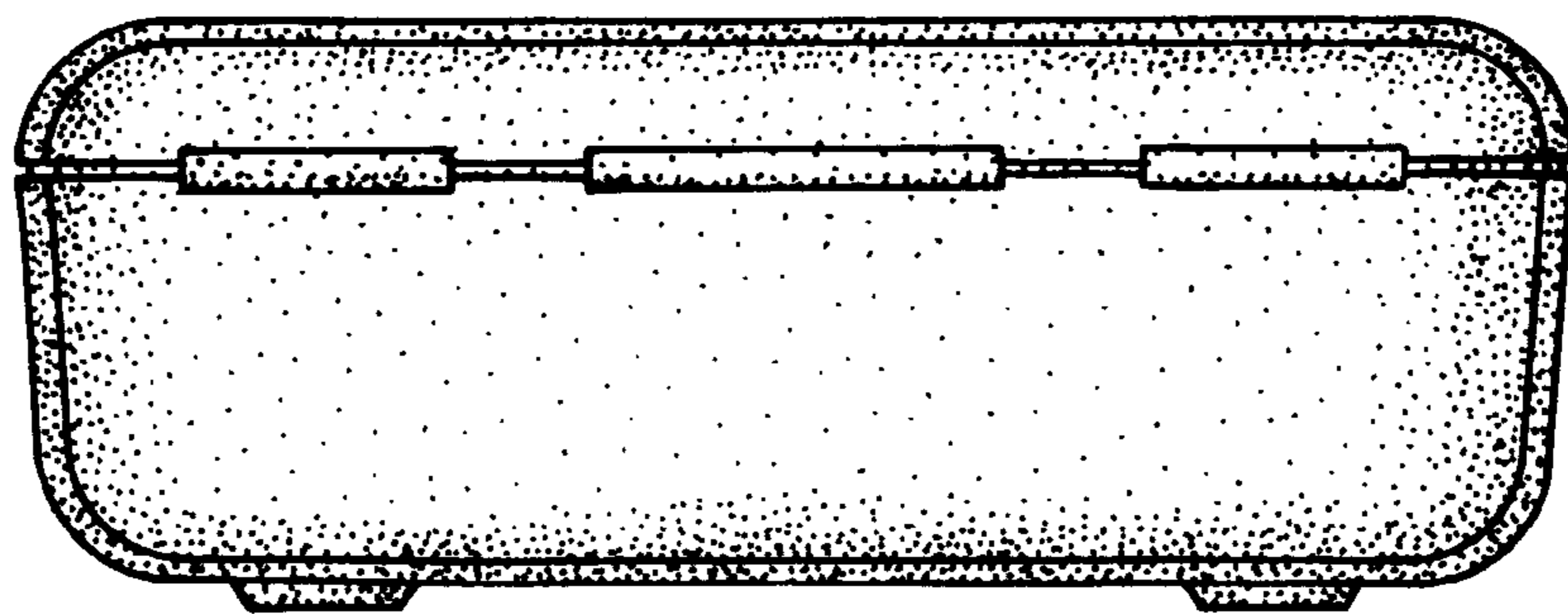


FIG. 3

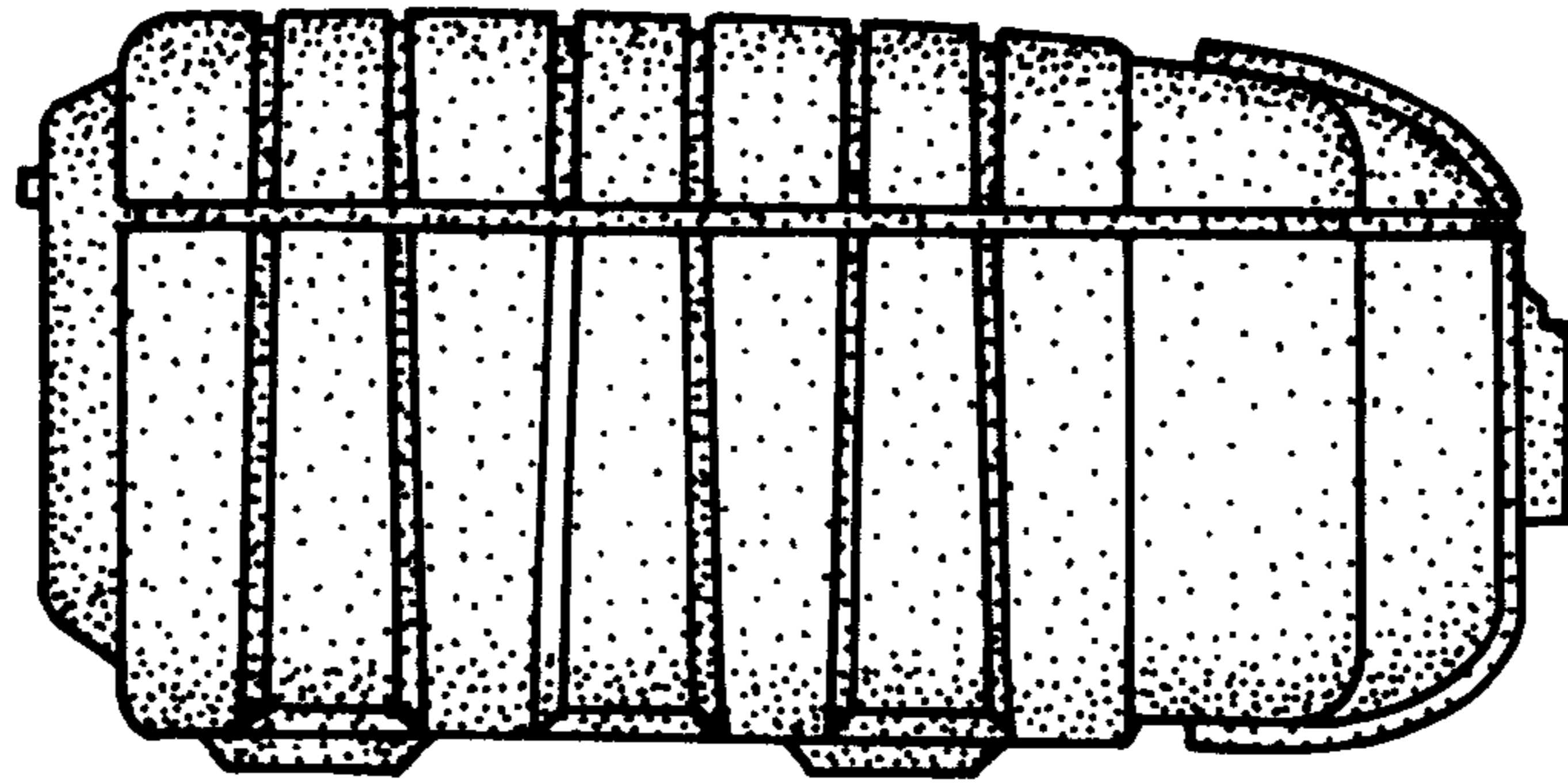


FIG. 4

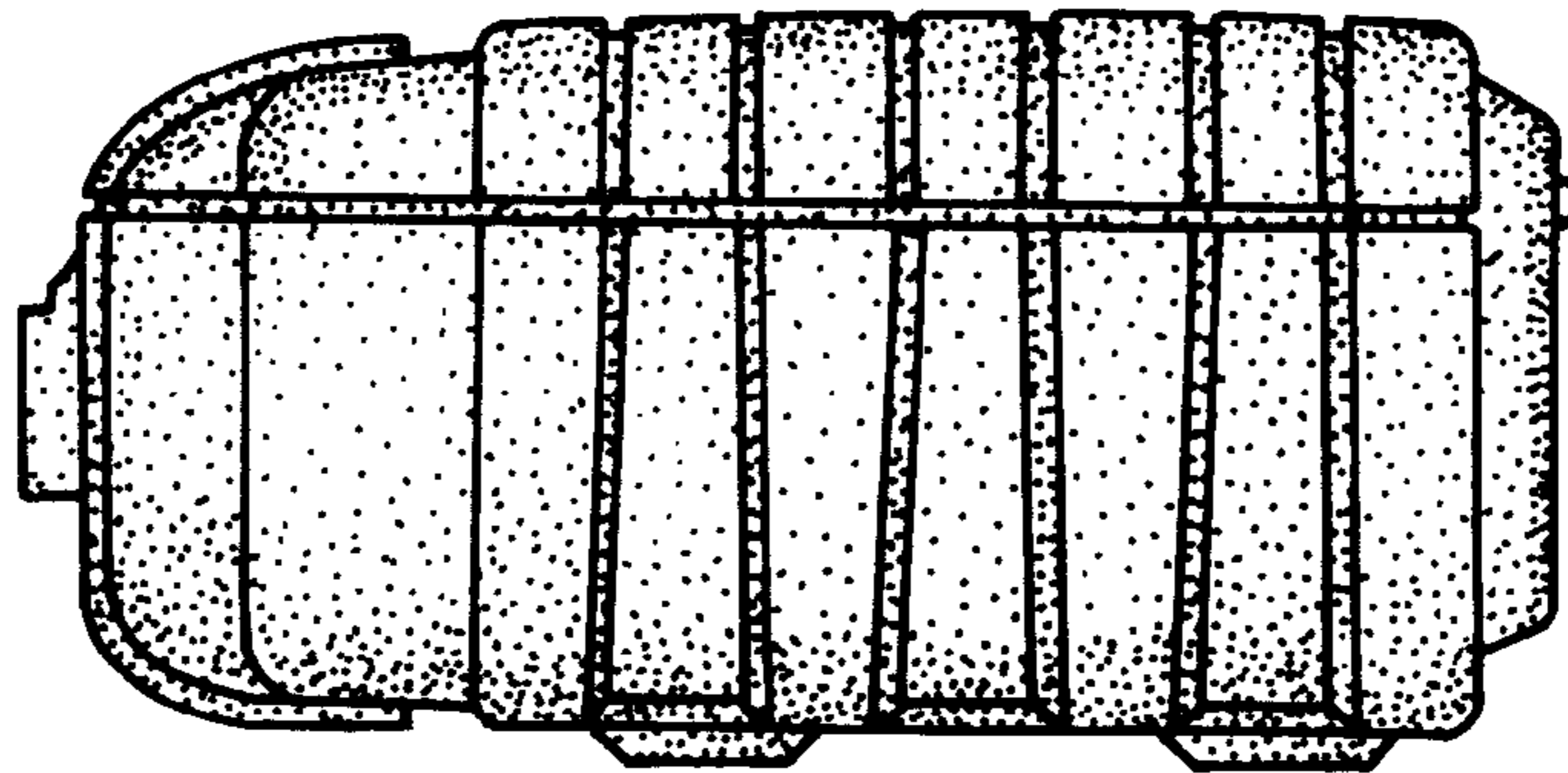


FIG. 5

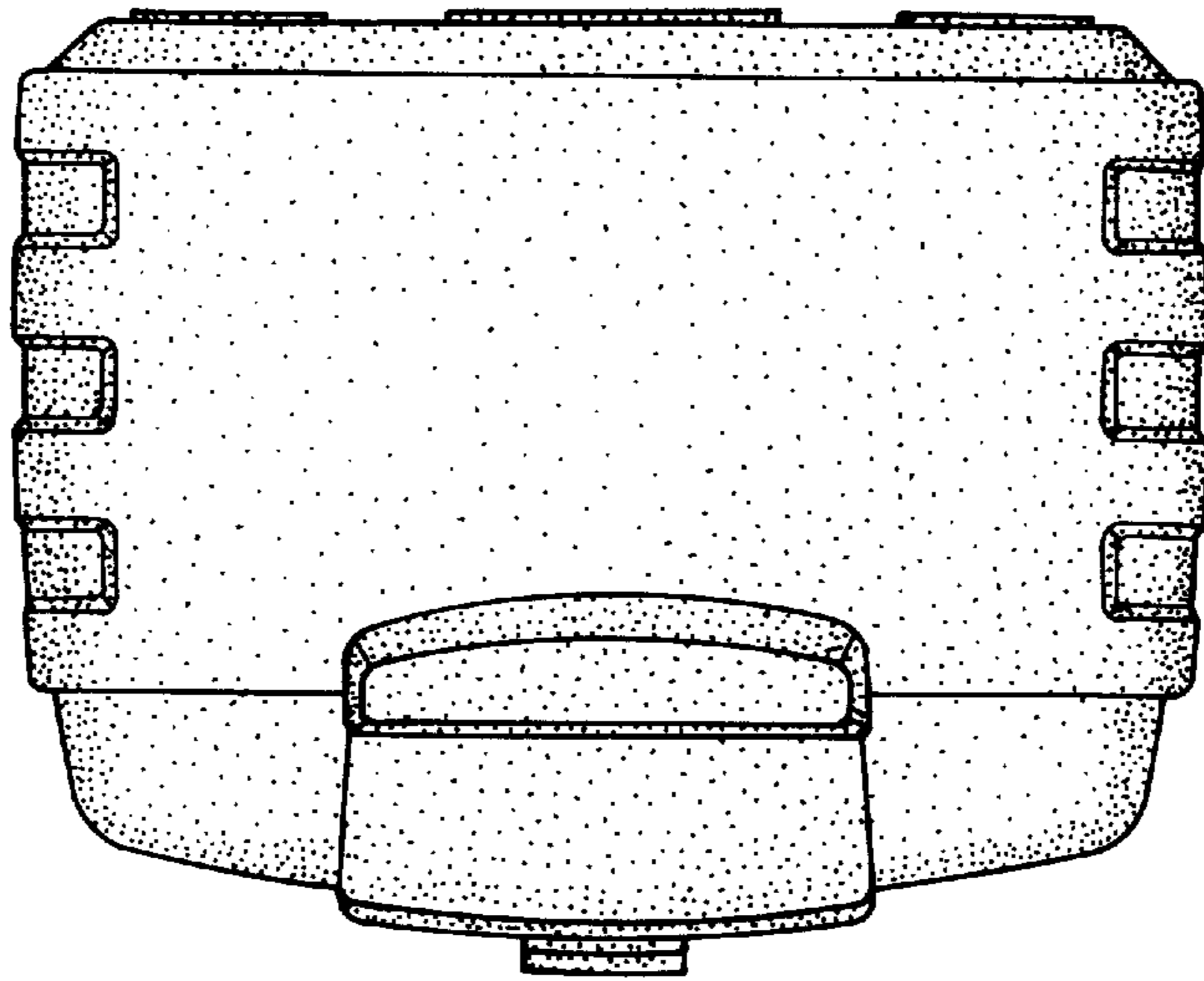


FIG. 6

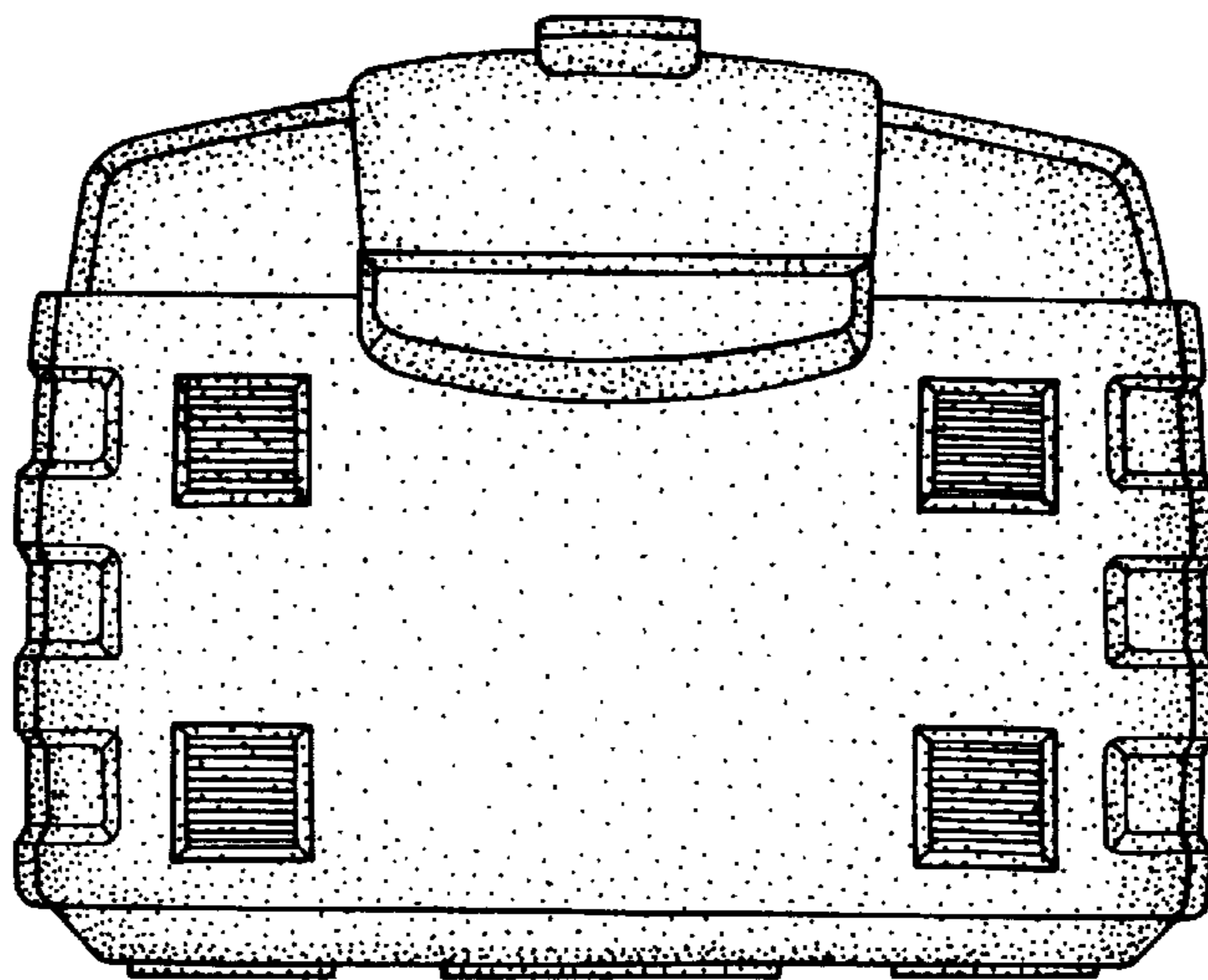


FIG. 7

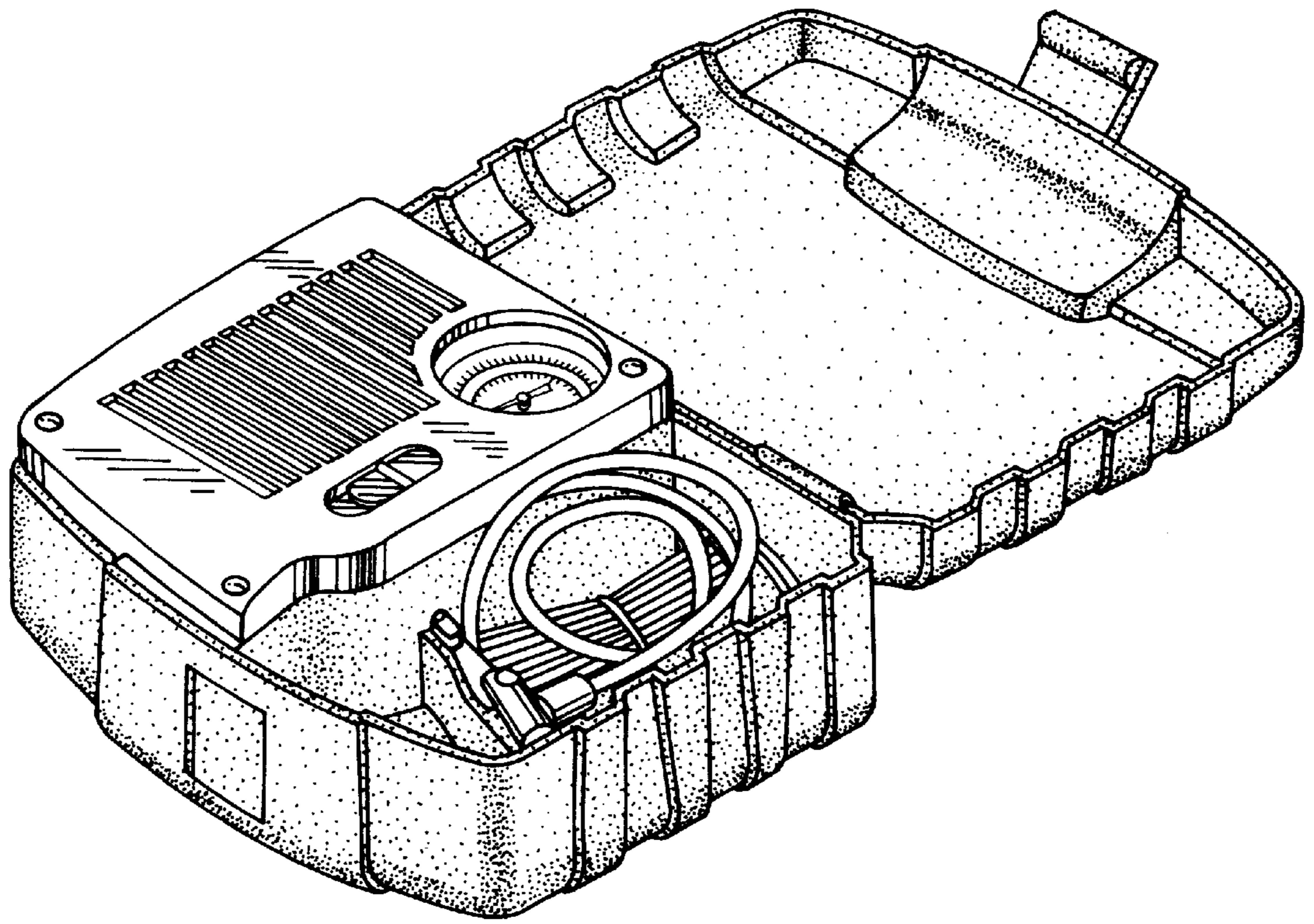


FIG. 8