



US00D436601S

(12) **United States Design Patent**
Kaneko

(10) **Patent No.:** **US D436,601 S**

(45) **Date of Patent:** **** Jan. 23, 2001**

(54) **RODLESS CYLINDER**

(75) **Inventor:** **Junya Kaneko, Abiko (JP)**

(73) **Assignee:** **SMC Kabushiki Kaisha, Tokyo (JP)**

(**) **Term:** **14 Years**

(21) **Appl. No.:** **29/121,689**

(22) **Filed:** **Apr. 12, 2000**

(30) **Foreign Application Priority Data**

Oct. 18, 1999 (JP) 11-28521

(51) **LOC (7) Cl.** **15-02**

(52) **U.S. Cl.** **D15/7**

(58) **Field of Search** D15/5, 7-9; 417/403,
417/404, 360; 91/275

(56) **References Cited**

U.S. PATENT DOCUMENTS

D. 303,393 * 9/1989 Stoll D15/7

D. 373,364 * 9/1996 Abe D15/7

D. 378,214 * 2/1997 Ikumi D15/7

D. 378,680 * 4/1997 Ikumi D15/7

D. 408,420 * 4/1999 Butler D15/7

D. 417,457 * 12/1999 Asahara D15/7

* cited by examiner

Primary Examiner—Ralf Seifert

(74) *Attorney, Agent, or Firm*—Frishauf, Holtz, Goodman,
Langer & Chick, P.C.

(57) **CLAIM**

The ornamental design for a rodless cylinder, as shown.

DESCRIPTION

FIG. 1 is a top, front and left-side perspective view of a rodless cylinder showing my new design;

FIG. 2 is a front view thereof;

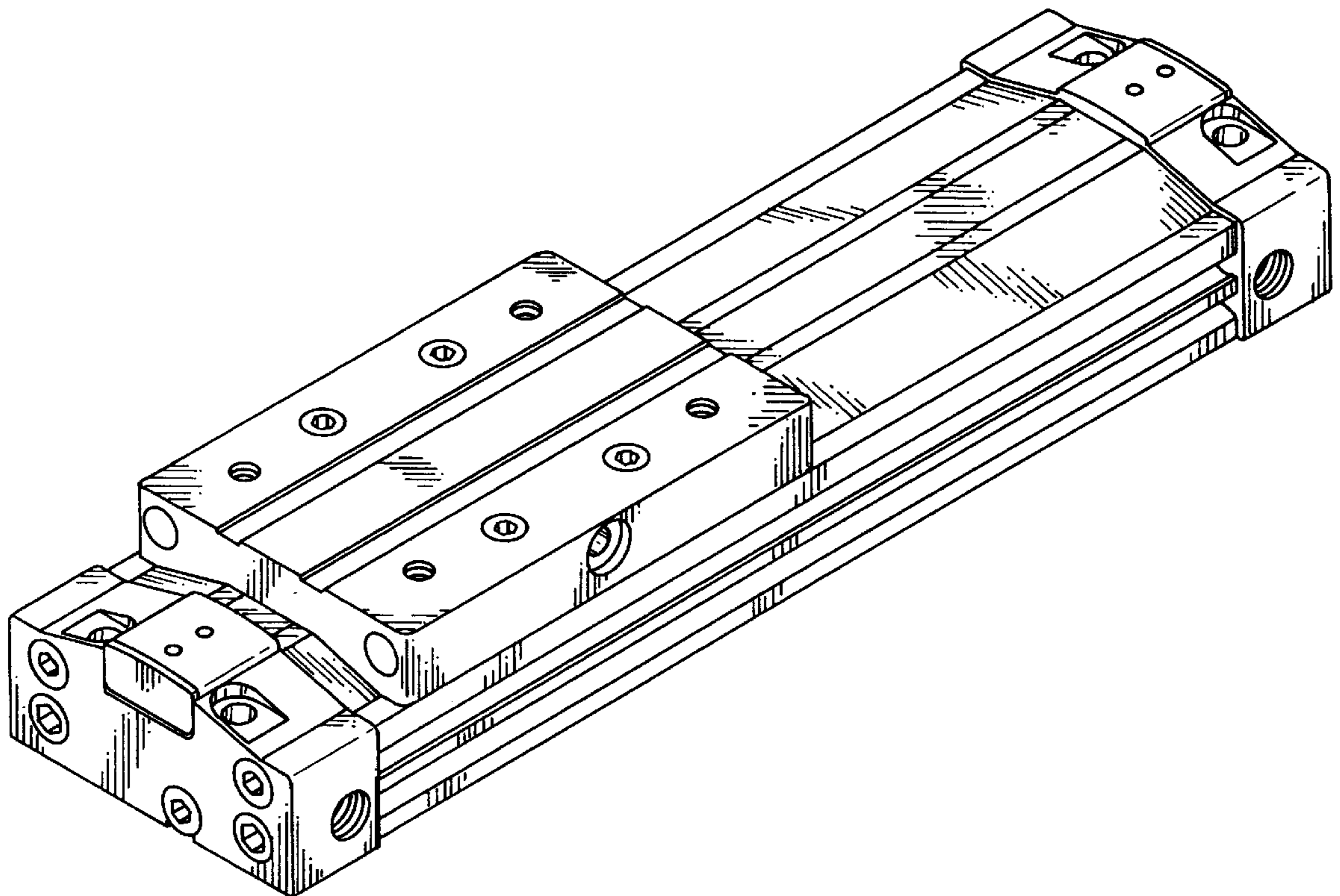
FIG. 3 is a rear view thereof;

FIG. 4 is a right side view thereof, the left side view being an identical image;

FIG. 5 is a top plan view thereof; and,

FIG. 6 is a bottom plan view thereof.

1 Claim, 3 Drawing Sheets



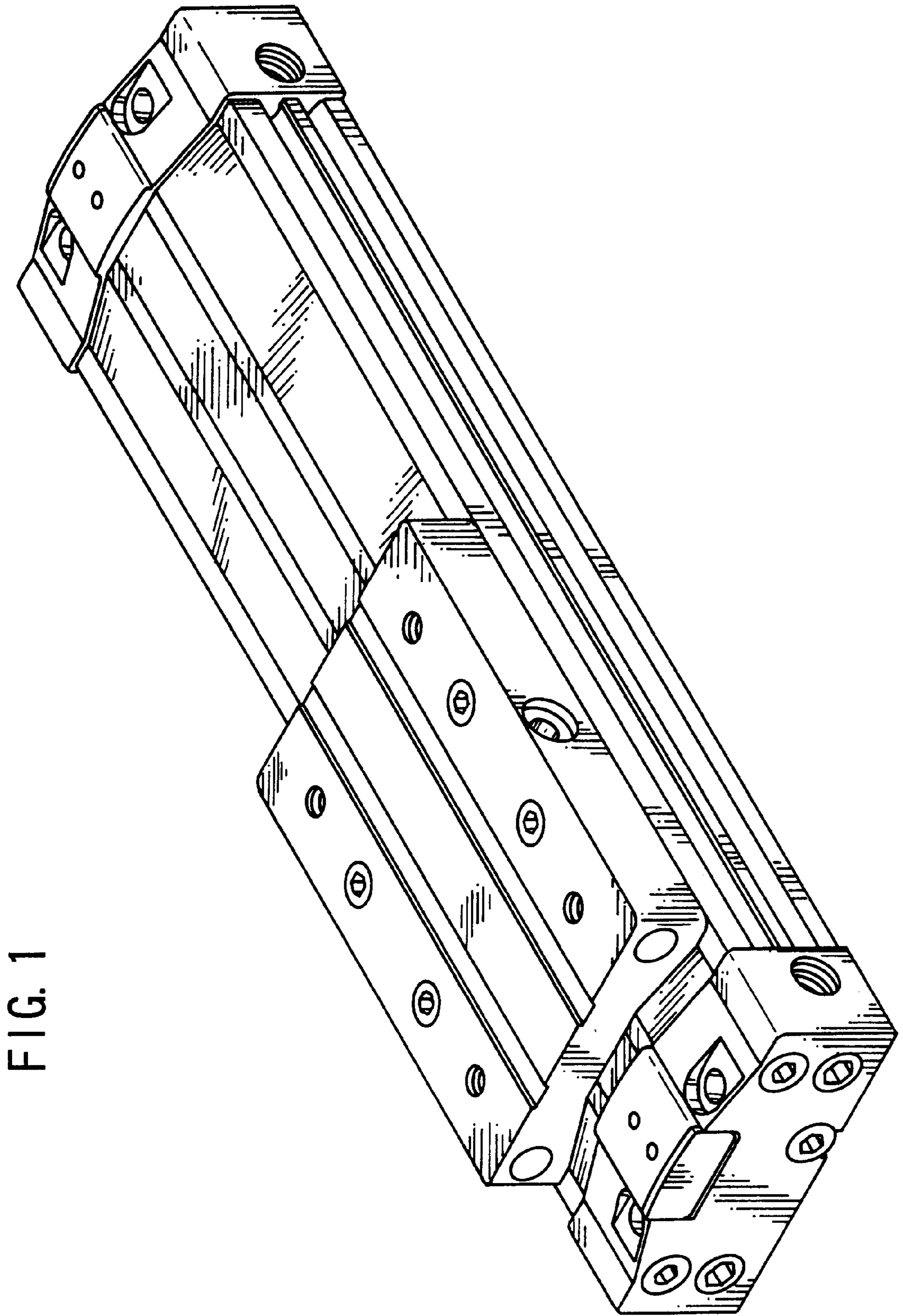


FIG. 1

FIG. 2

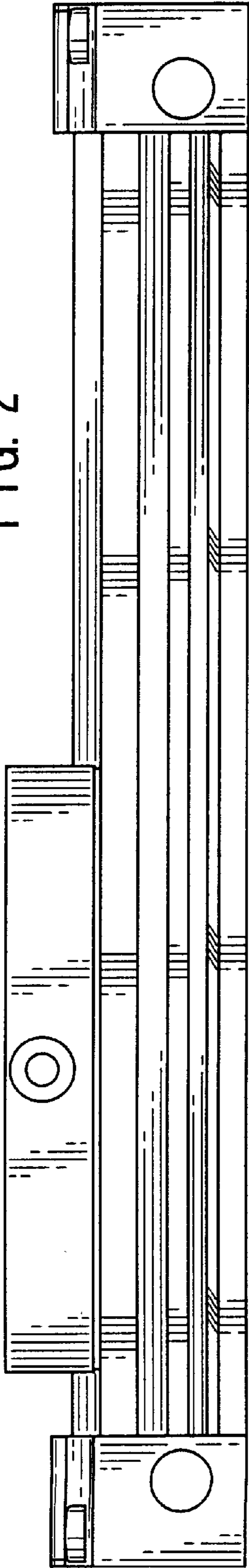


FIG. 3

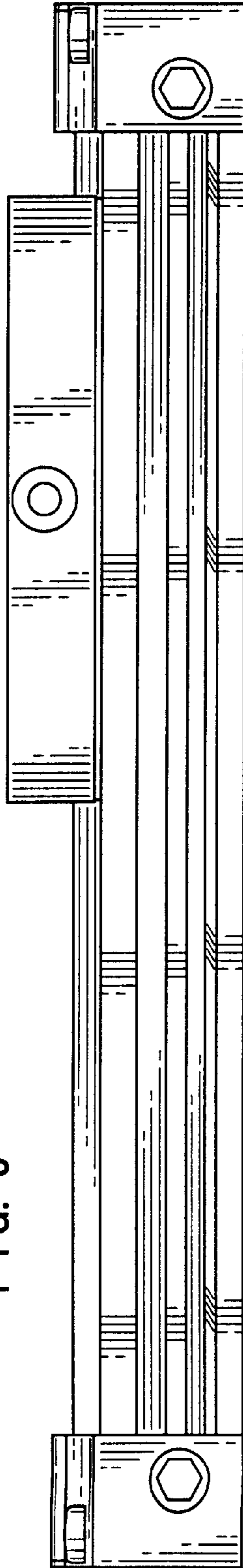


FIG. 4

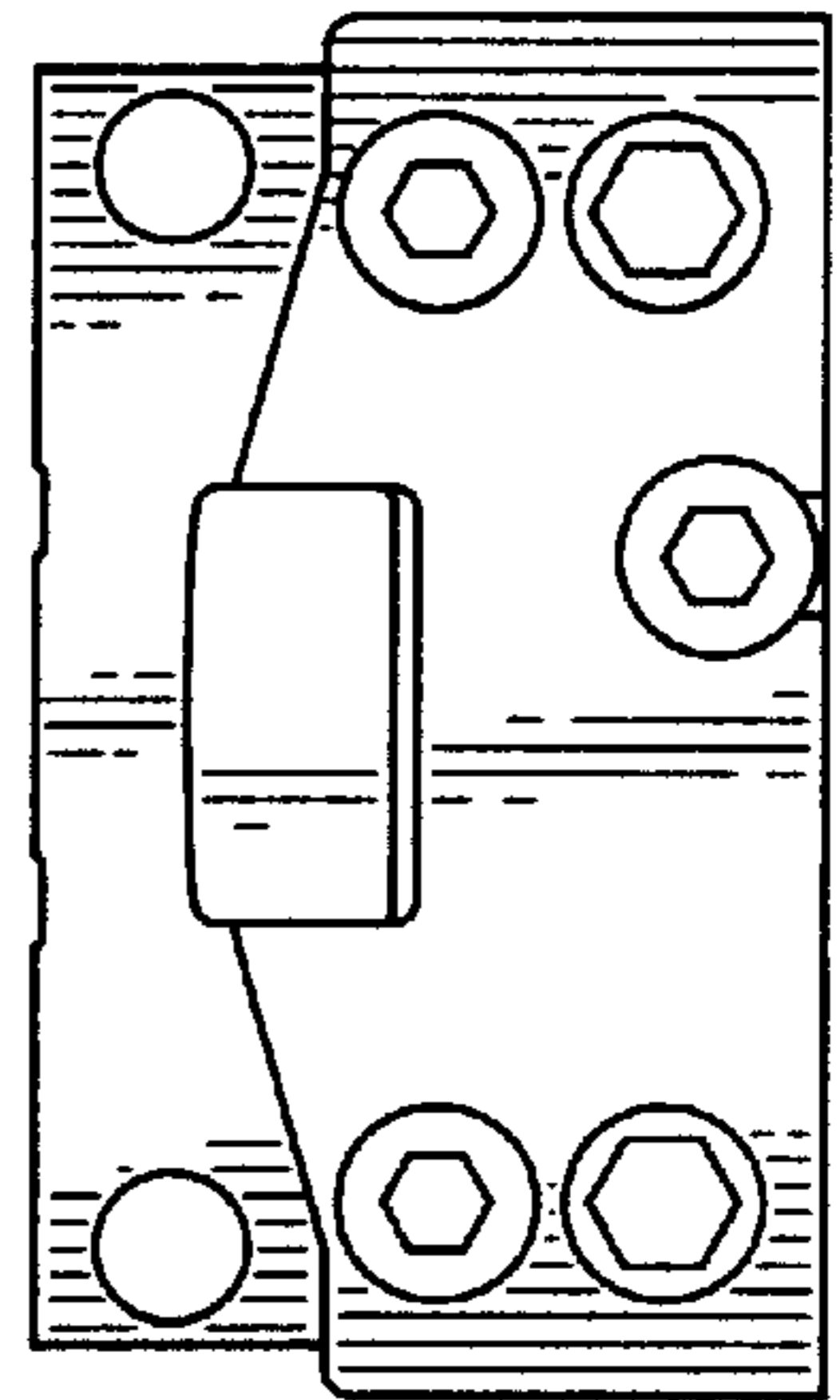


FIG. 5

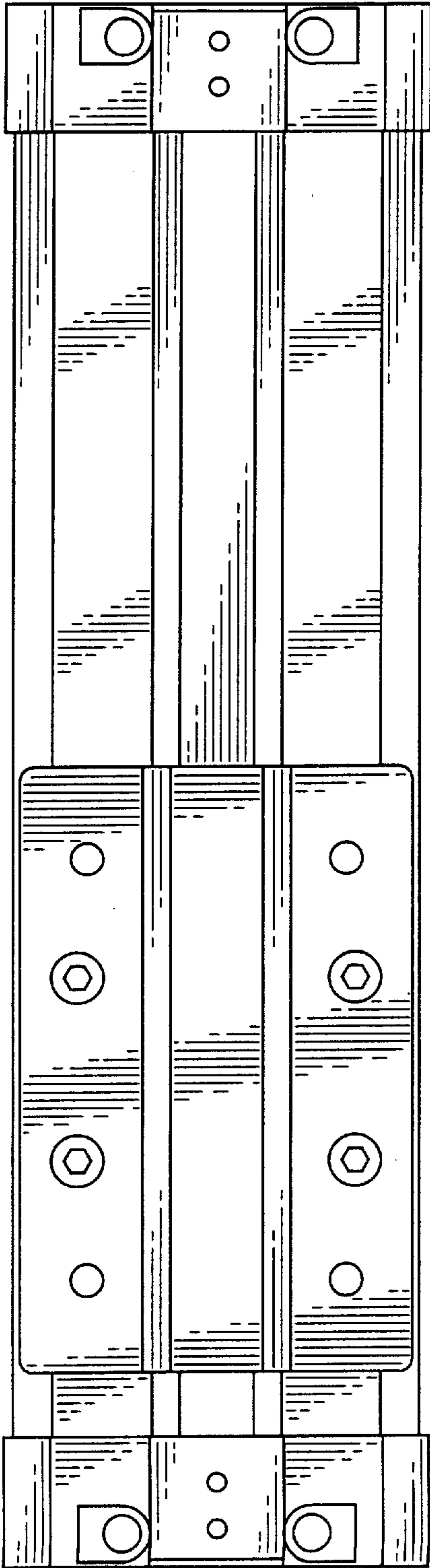


FIG. 6

