



US00D436600S

(12) **United States Design Patent**
Larsson

(10) **Patent No.:** **US D436,600 S**
(45) **Date of Patent:** **** Jan. 23, 2001**

(54) **PUMP**

(75) Inventor: **Lars Larsson**, Eskilstuna (SE)
(73) Assignee: **Nike Hydraulics AB**, Eskilstuna (SE)
(**) Term: **14 Years**

(21) Appl. No.: **29/117,958**
(22) Filed: **Feb. 2, 2000**

(30) **Foreign Application Priority Data**

Aug. 2, 1999 (SE) 99-1383

(51) **LOC (7) Cl.** **15-02**
(52) **U.S. Cl.** **D15/7**
(58) **Field of Search** D5/5-9.1; 417/360,
417/307, 413 R, 415, 419, 234-235, 424,
572

(56) **References Cited**

U.S. PATENT DOCUMENTS

D. 195,748 * 7/1963 Lorenz D15/7
D. 215,881 * 11/1969 Svenson D15/7
D. 215,882 * 11/1969 Svenson D15/7
D. 358,398 5/1995 Persson .
D. 418,522 * 1/2000 Amgel D15/7
4,211,519 * 7/1980 Hogan 417/360

FOREIGN PATENT DOCUMENTS

936835 12/1993 (FR) .
56 044 8/1994 (SE) .
56 133 9/1994 (SE) .
045190 7/1995 (TW) .

OTHER PUBLICATIONS

Drawings for rejected Swedish application 1937-031 undated.

* cited by examiner

Primary Examiner—Ralf Seifert

(74) *Attorney, Agent, or Firm*—Merchant & Gould P.C.

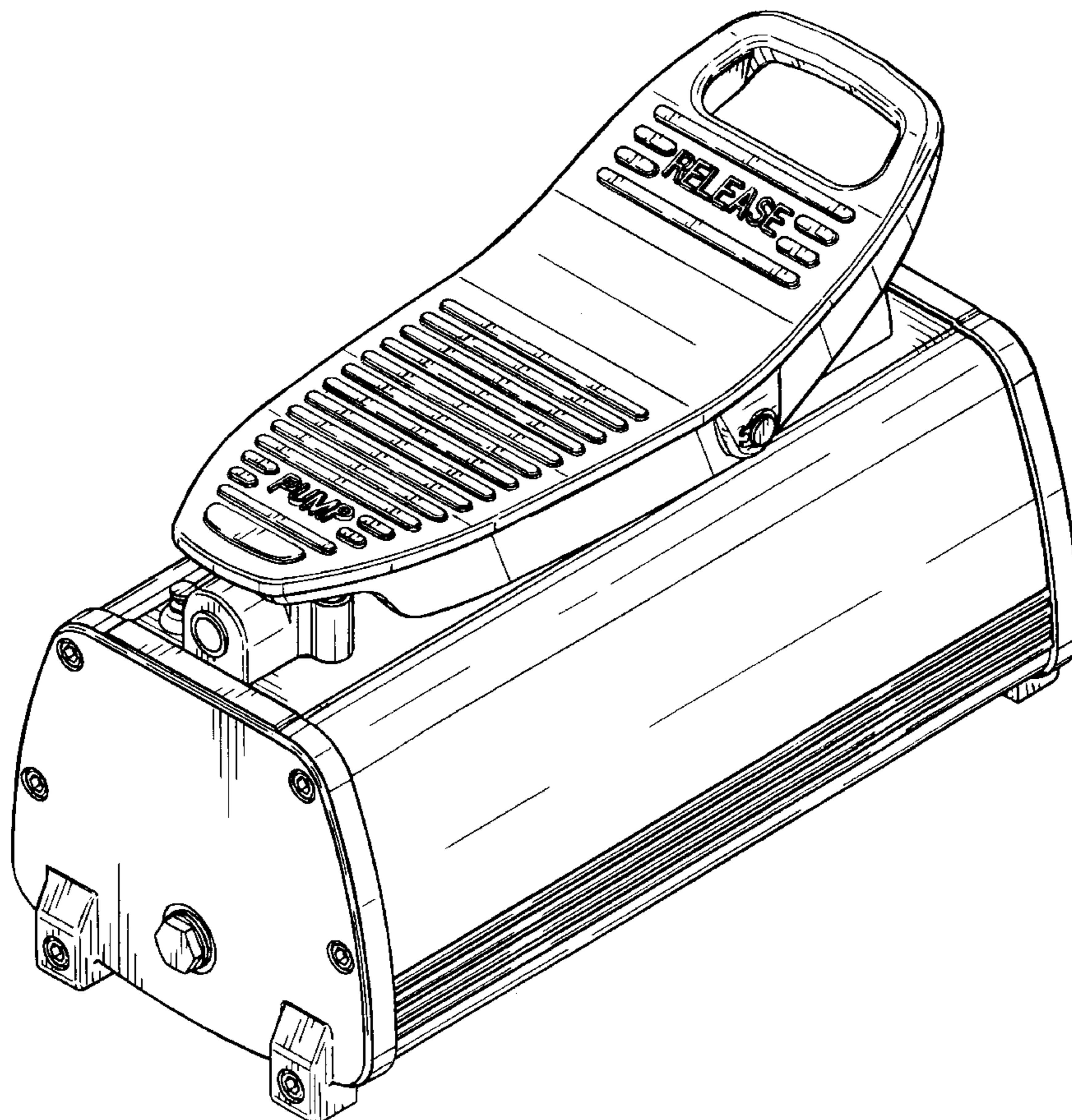
(57) **CLAIM**

The ornamental design for pump, as shown and described.

DESCRIPTION

FIG. 1 is a perspective view of an embodiment of a pump showing my new design;
FIG. 2 is front plan view thereof;
FIG. 3 is a rear plan view thereof;
FIG. 4 is a right side view thereof;
FIG. 5 is a left side view thereof;
FIG. 6 is a top elevational view thereof; and,
FIG. 7 is a bottom elevational view thereof.

1 Claim, 7 Drawing Sheets



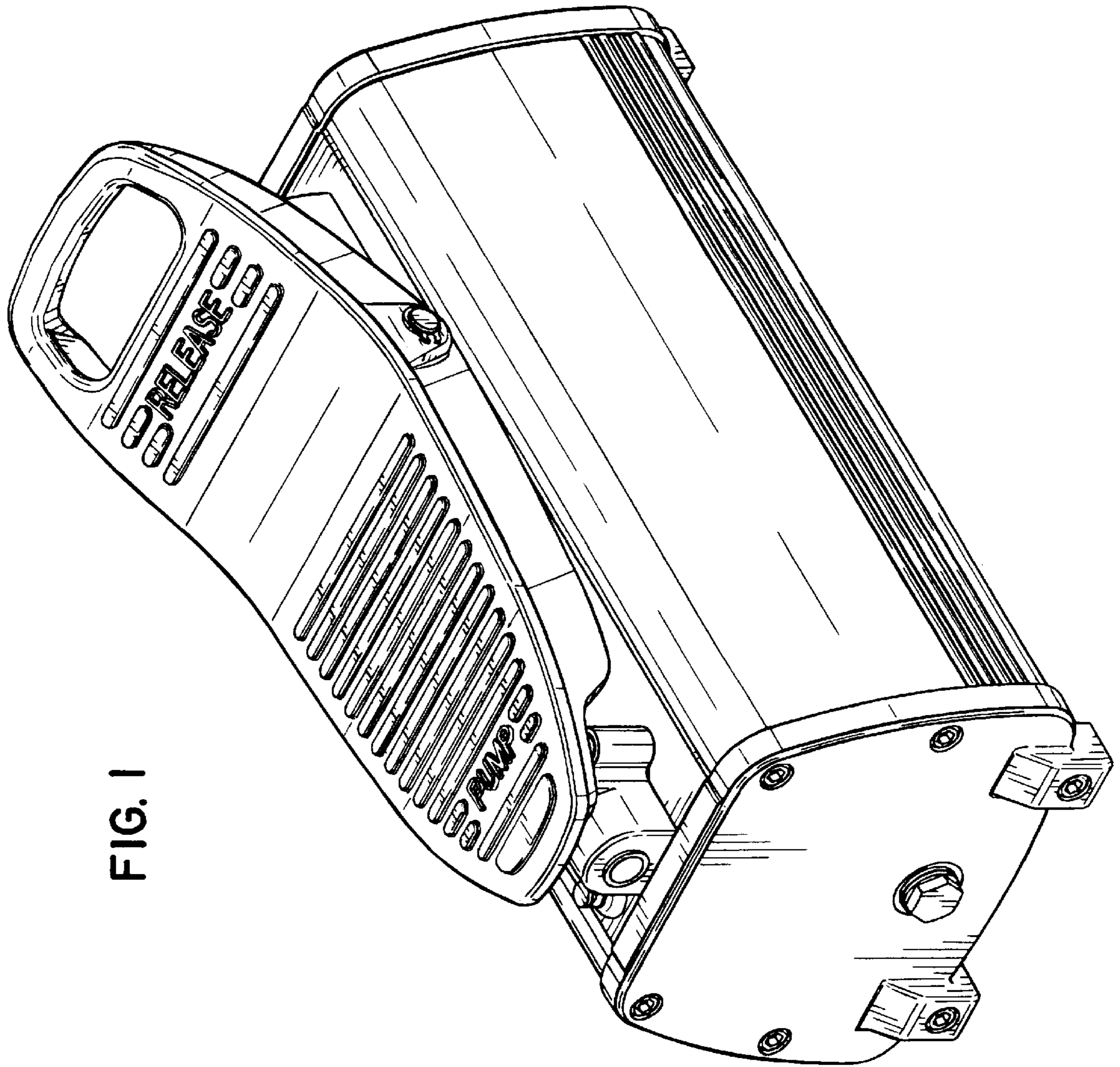


FIG. 1

FIG. 2

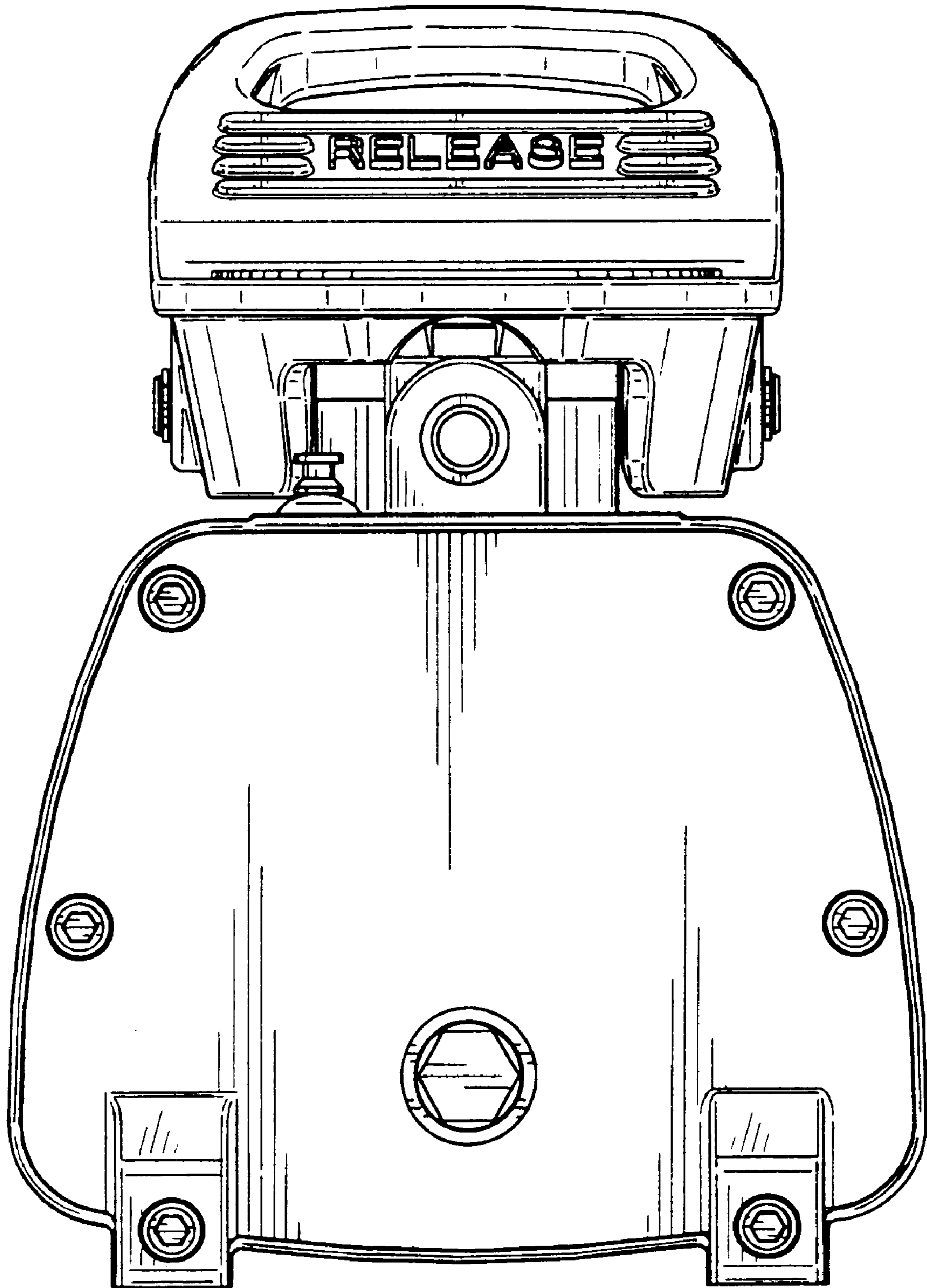
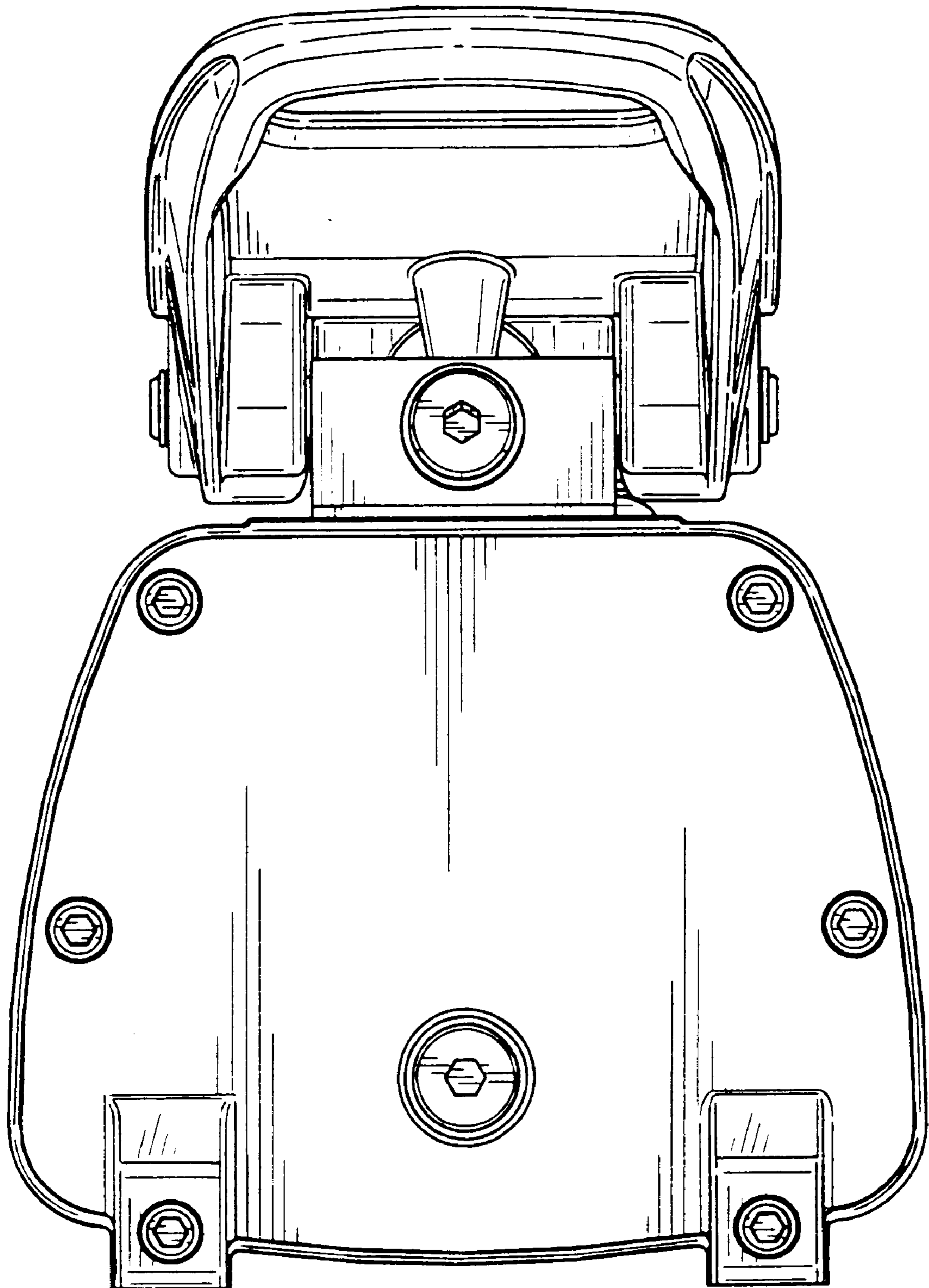


FIG. 3



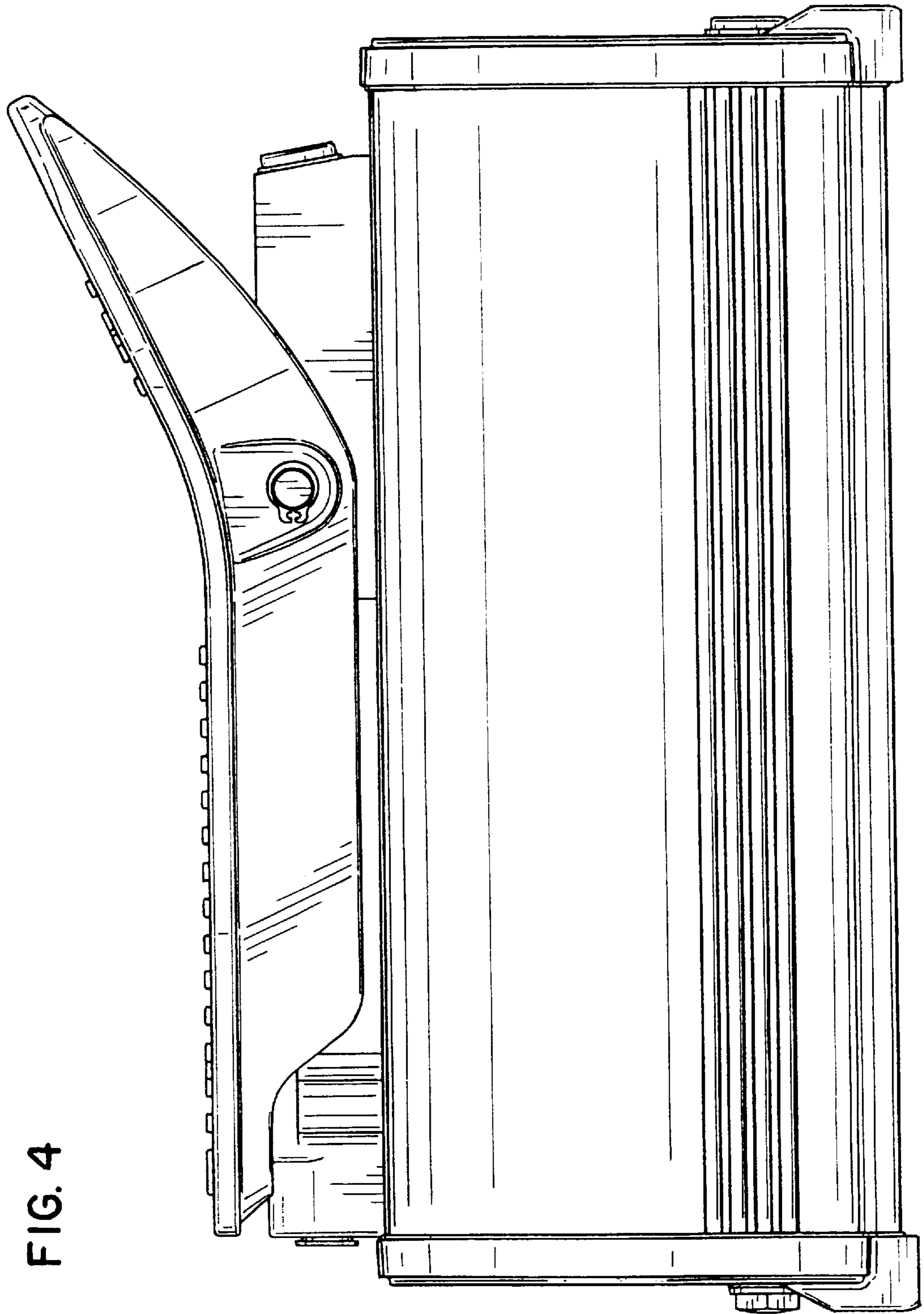
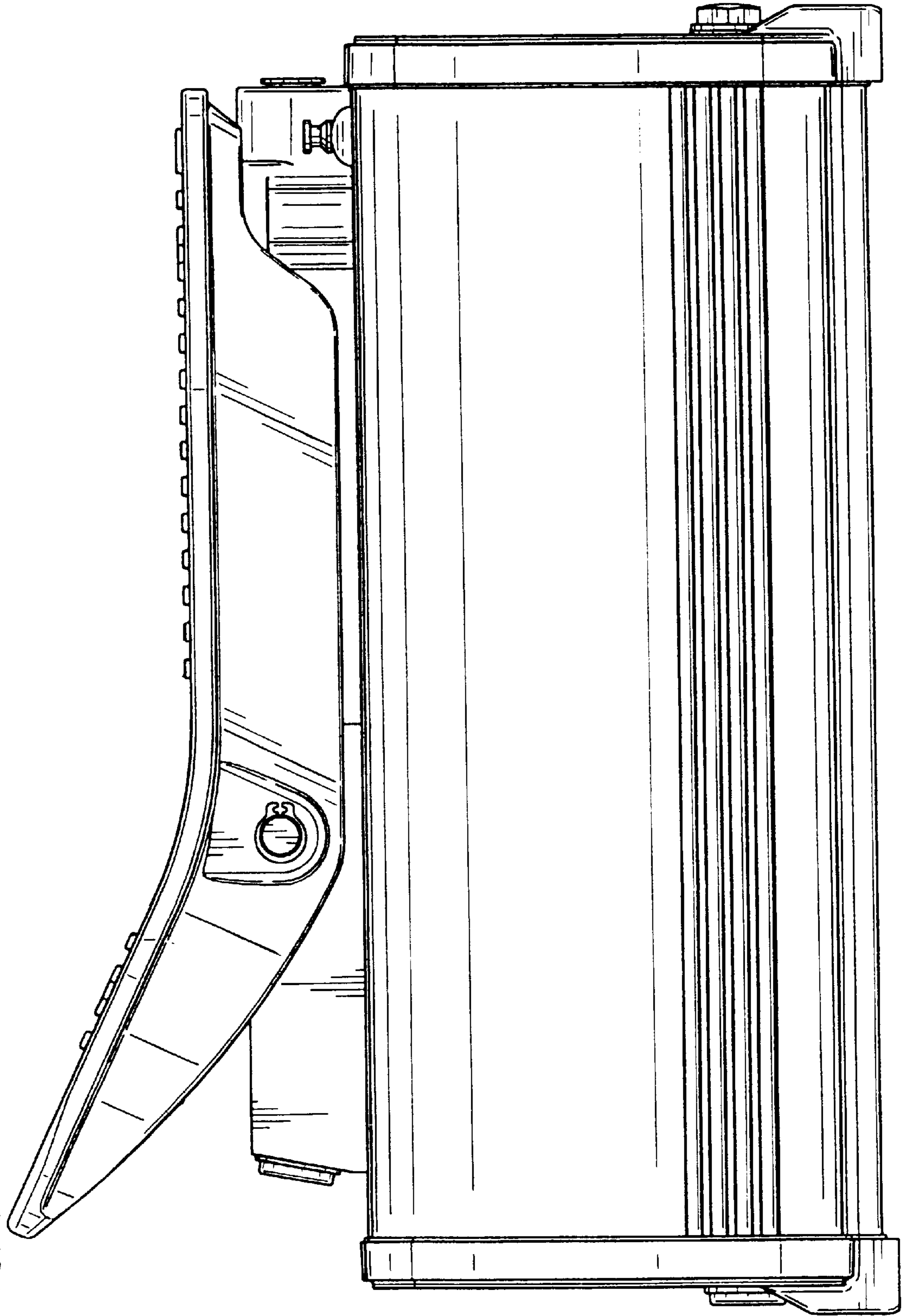


FIG. 4

FIG. 5



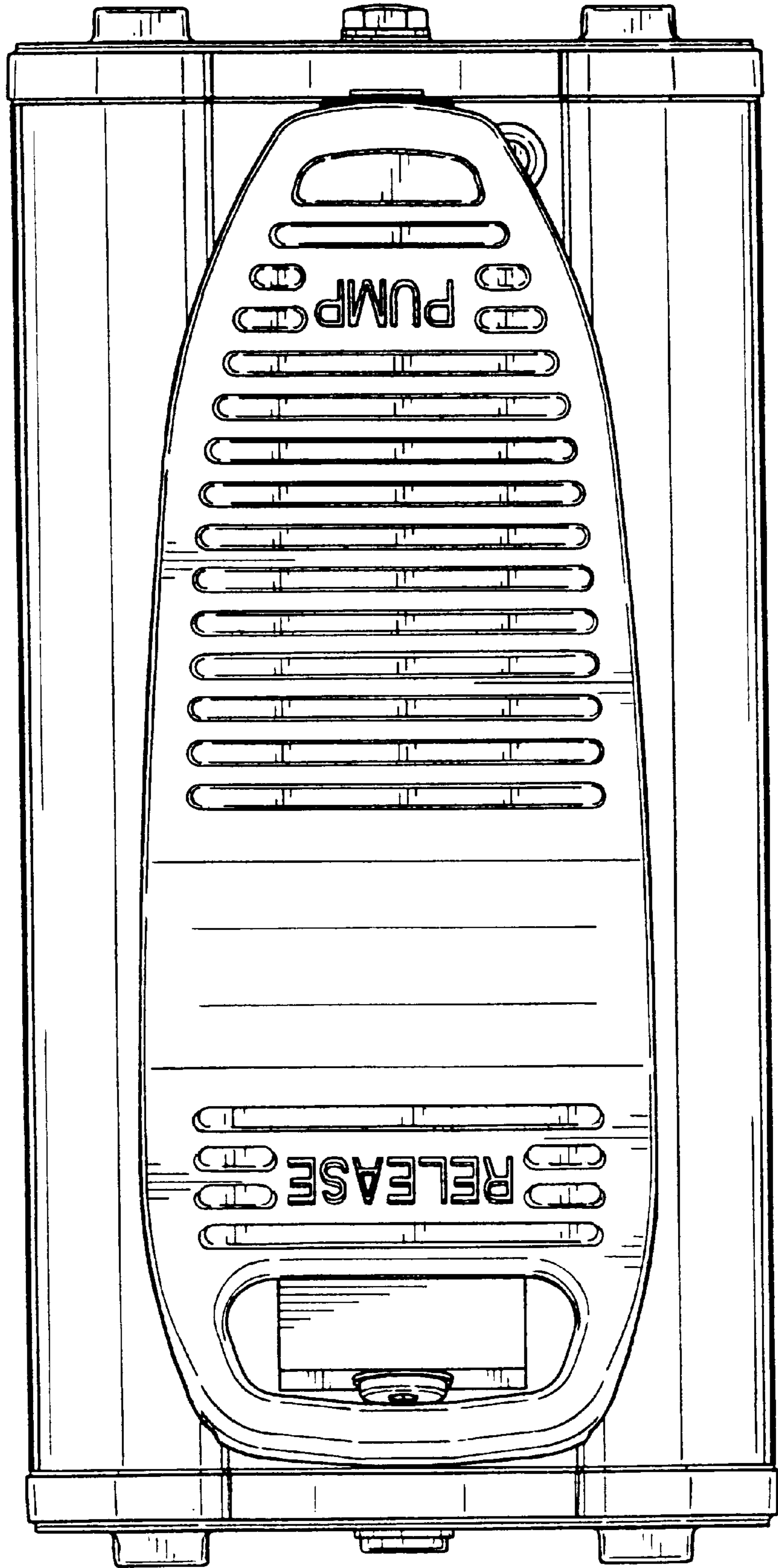


FIG. 6

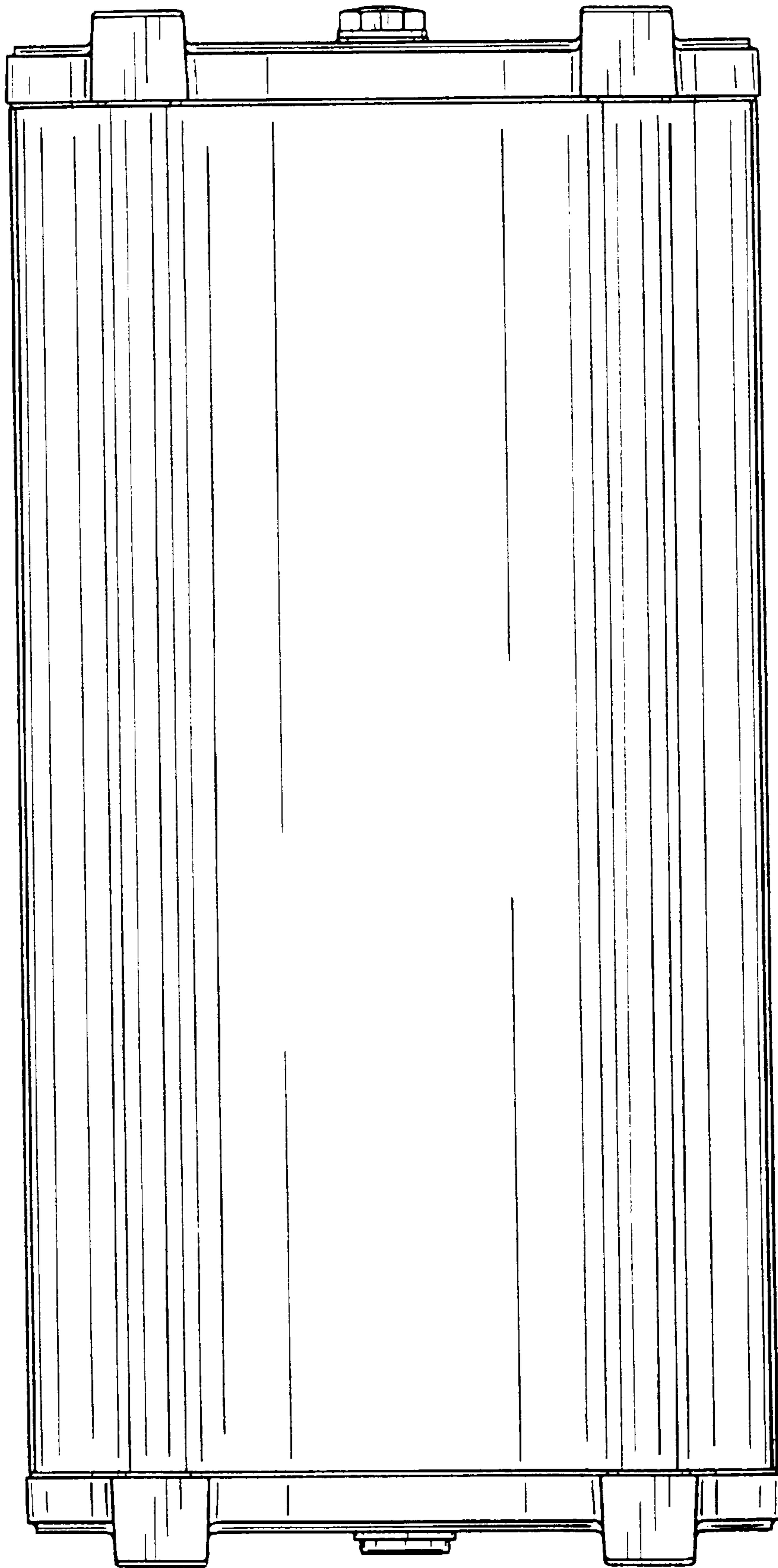


FIG. 7