



US00D436597S

(12) **United States Design Patent**
Ho

(10) **Patent No.:** **US D436,597 S**

(45) **Date of Patent:** **** Jan. 23, 2001**

(54) **COMPUTER FRONT BEZEL**

(75) Inventor: **Hsiu-Ching Ho**, Tu-Chen (TW)

(73) Assignee: **Hon Hai Precision Ind. Co., Ltd.**,
Taipei Hsien (TW)

(**) Term: **14 Years**

(21) Appl. No.: **29/118,685**

(22) Filed: **Feb. 14, 2000**

(30) **Foreign Application Priority Data**

Jan. 28, 2000 (TW) 089300634

(51) **LOC (7) Cl.** **14-02**

(52) **U.S. Cl.** **D14/441**

(58) **Field of Search** D14/441-445;
D13/162, 184, 199, 164, 177; D10/103;
312/223.2; 361/724-728

(56) **References Cited**

U.S. PATENT DOCUMENTS

- D. 359,279 * 6/1995 Fujimura et al. D14/442
- D. 363,477 * 10/1995 Tinsley, Jr. et al. D14/445

- D. 390,841 * 2/1998 Lin D14/445
- D. 392,281 * 3/1998 Poole et al. D14/441

* cited by examiner

Primary Examiner—Freda Nunn

(74) *Attorney, Agent, or Firm*—Wei Te Chung

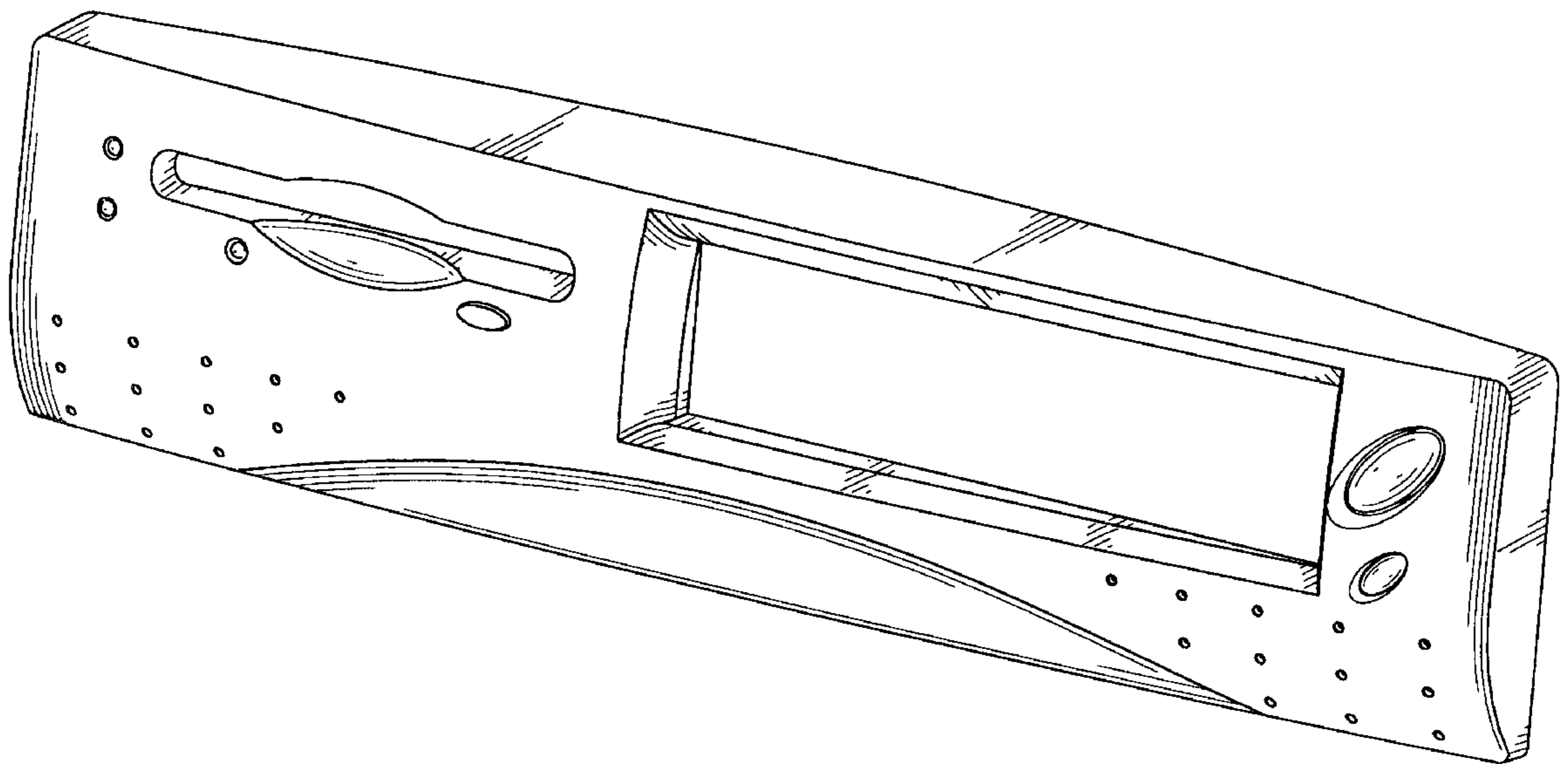
(57) **CLAIM**

The ornamental design for a computer front bezel, as shown and described.

DESCRIPTION

FIG. 1 is a perspective view of a computer front bezel showing our new design;
 FIG. 2 is a front elevational view thereof;
 FIG. 3 is a rear elevational view thereof;
 FIG. 4 is a left side elevational view thereof;
 FIG. 5 is a right side elevational view thereof;
 FIG. 6 is a top plan view thereof;
 FIG. 7 is a bottom plan view thereof; and,
 FIG. 8 is a reduced perspective view thereof being shown attached to a computer which is shown in broken lines for illustrative purposes only and forms no part of the claimed design.

1 Claim, 6 Drawing Sheets



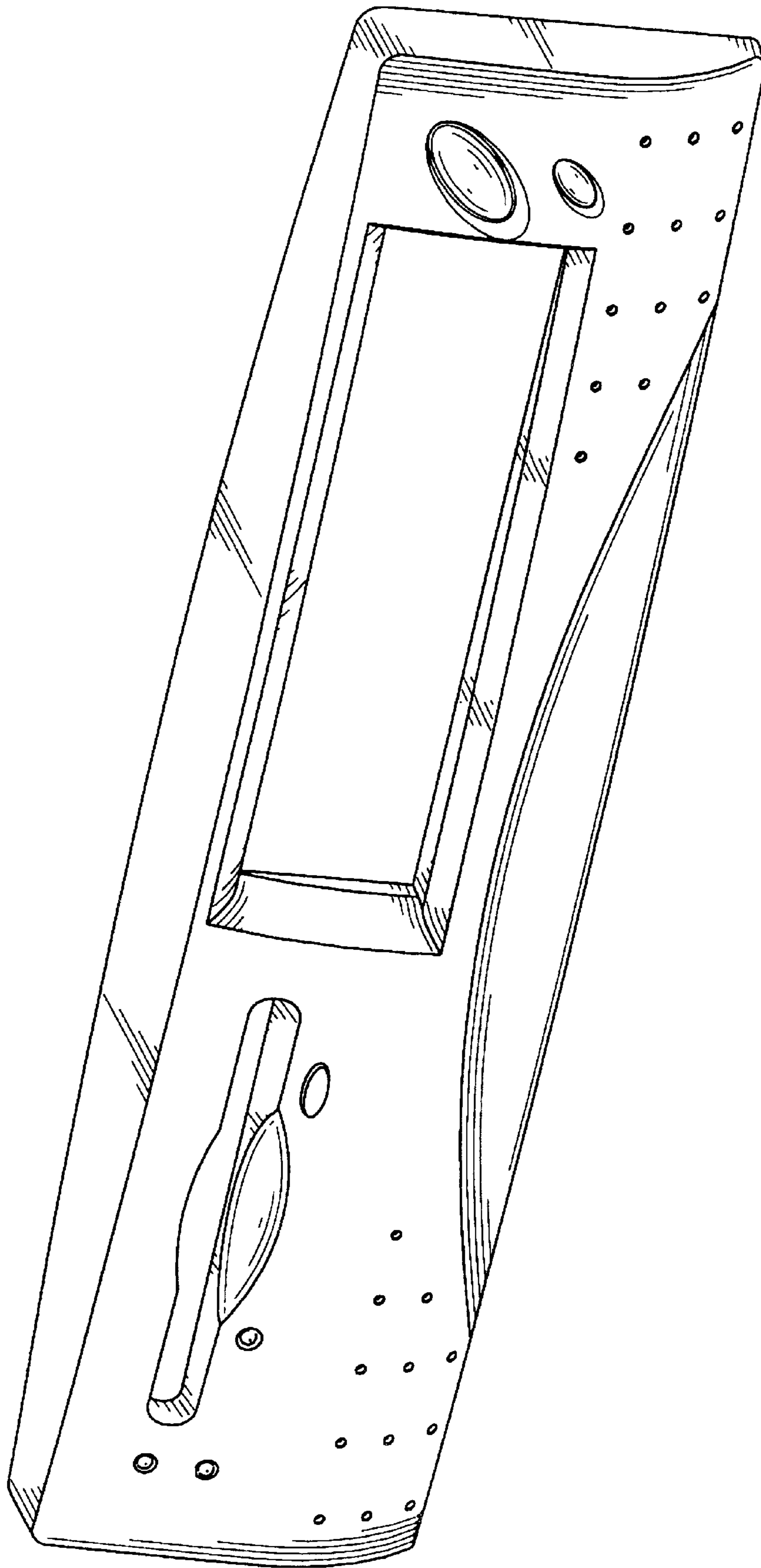


FIG. 1

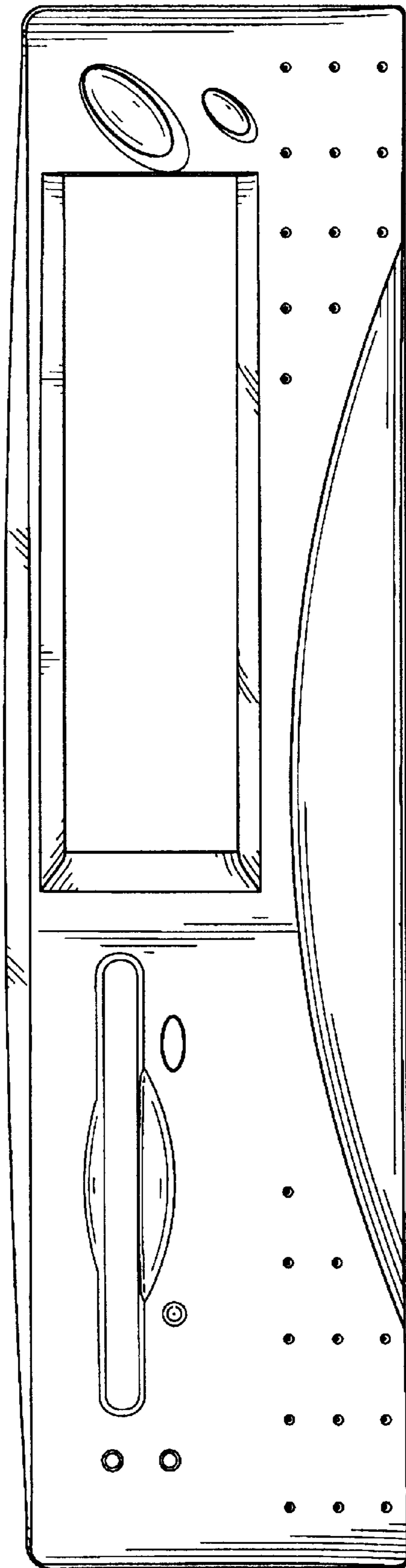


FIG. 2

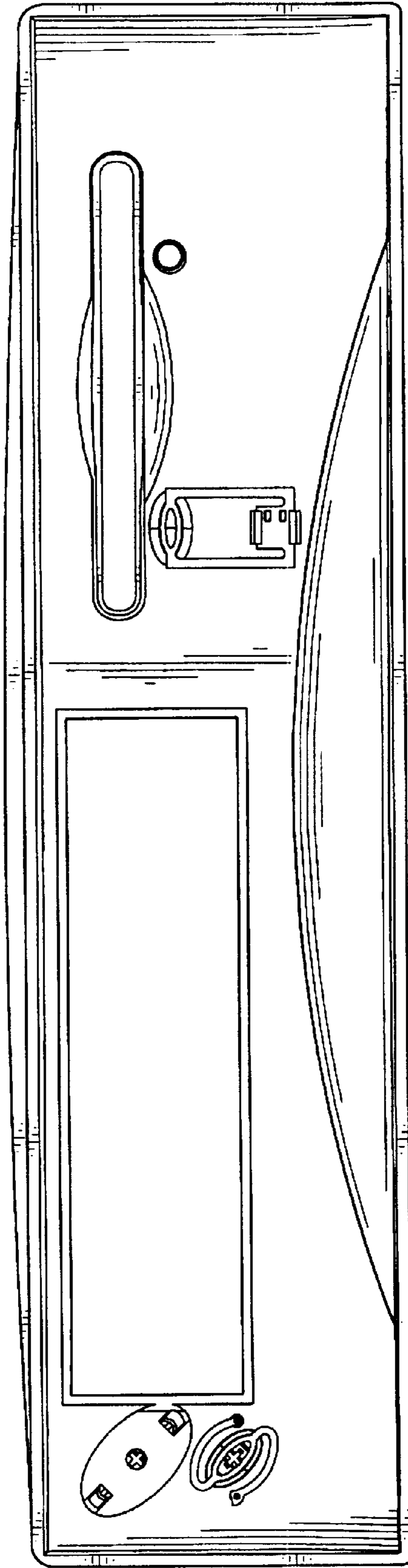


FIG. 3

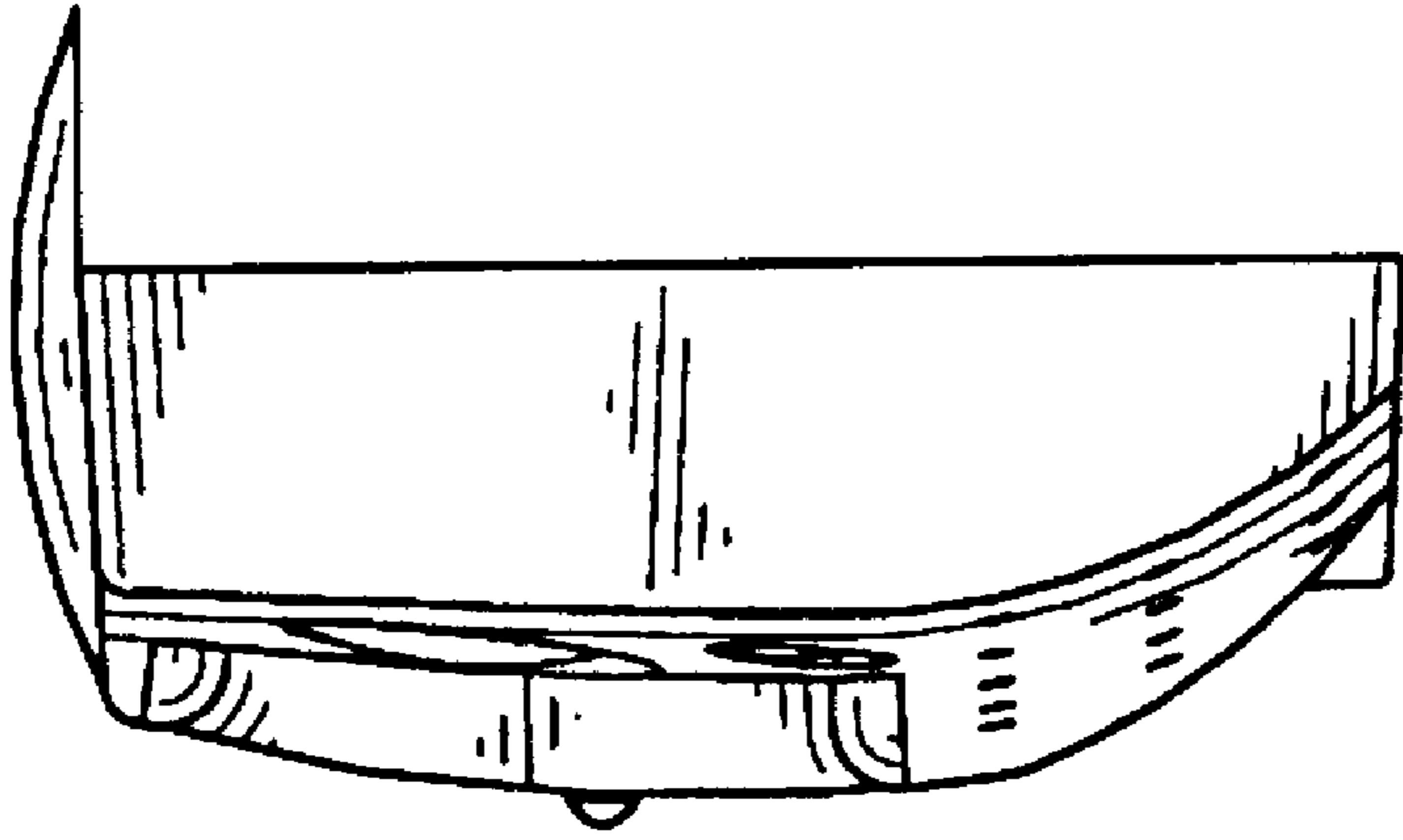


FIG. 5

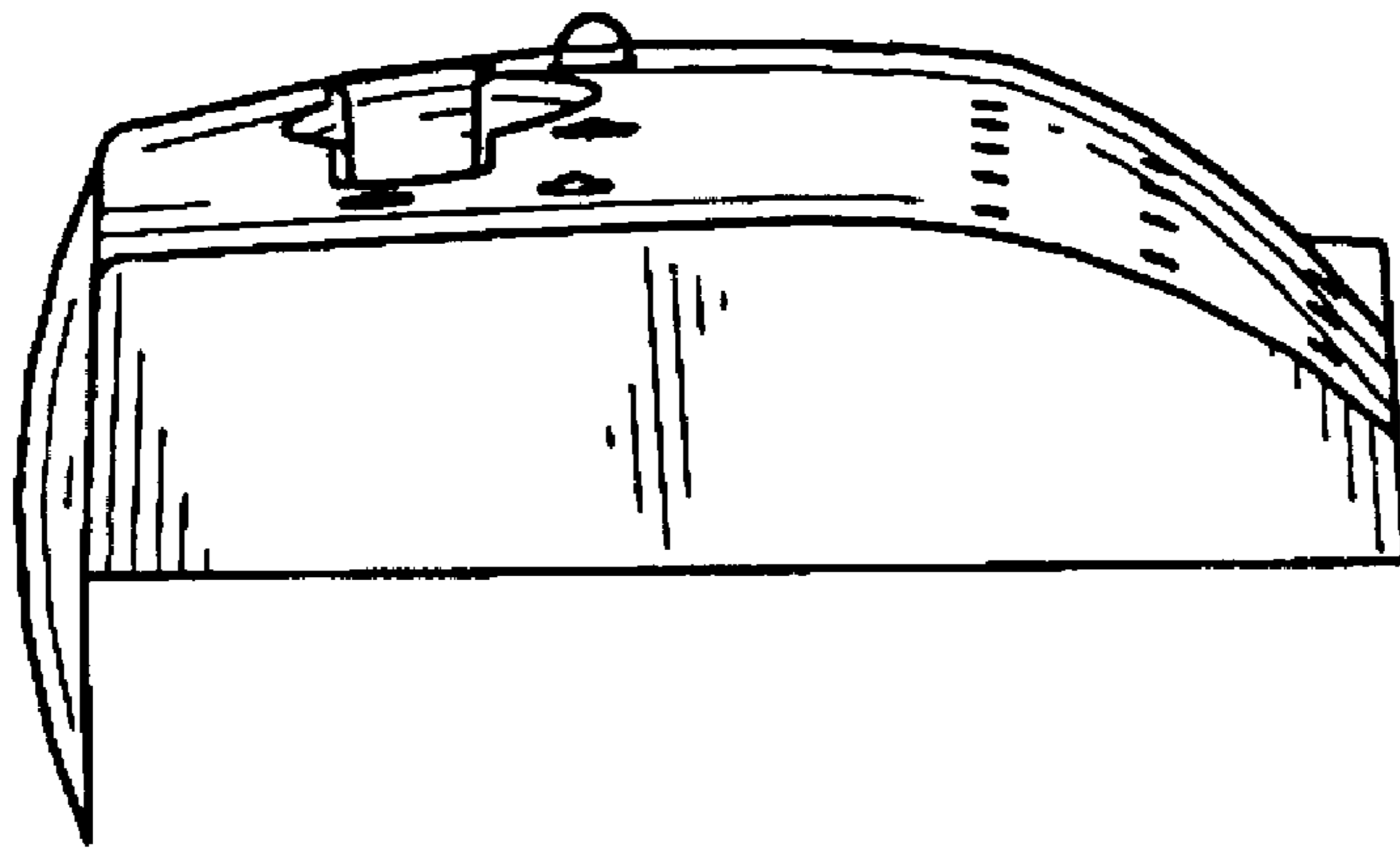


FIG. 4

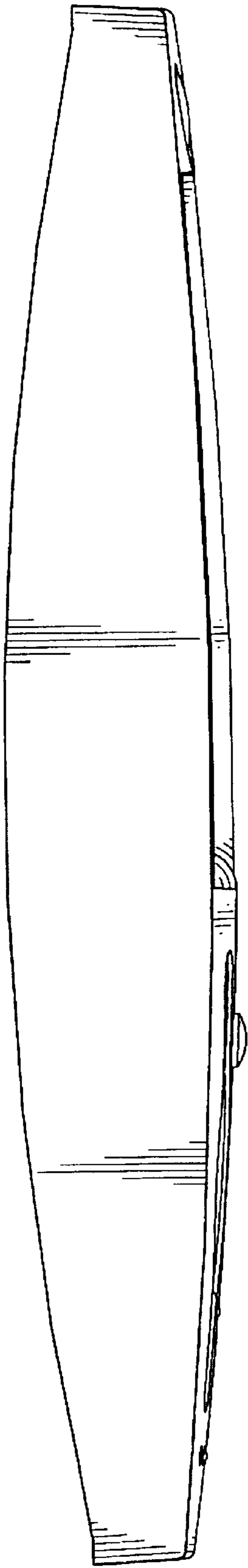


FIG. 6

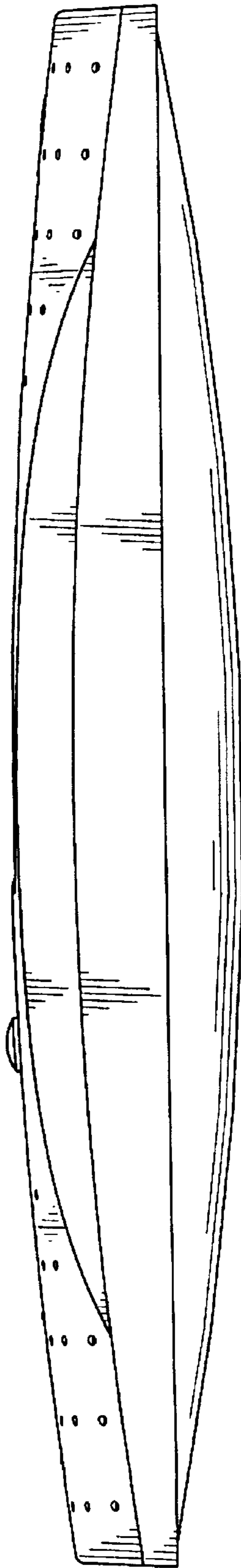


FIG. 7

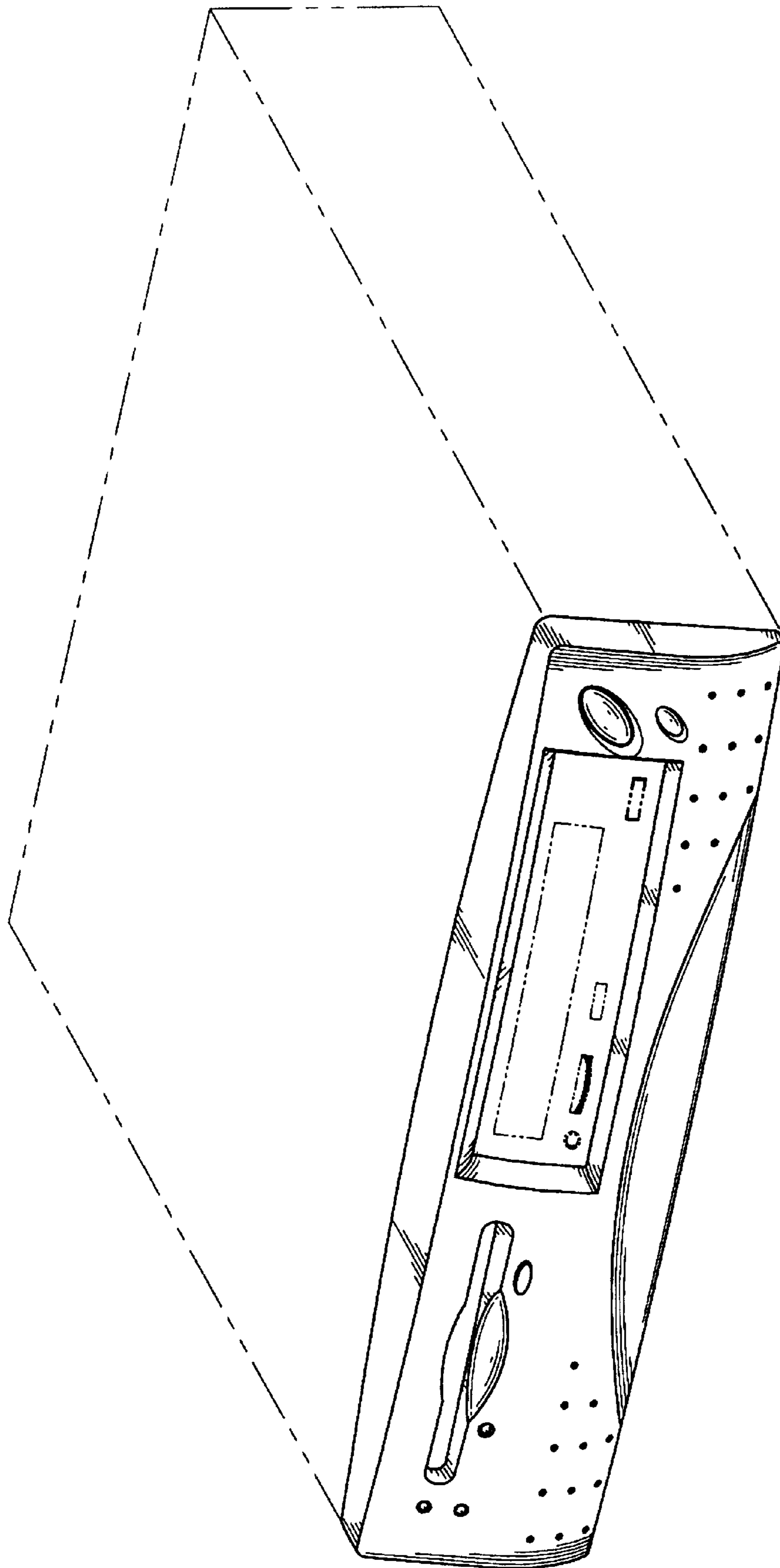


FIG. 8