



US00D436594S

(12) **United States Design Patent**
Ling

(10) **Patent No.:** **US D436,594 S**

(45) **Date of Patent:** **** Jan. 23, 2001**

(54) **COMBINATION LOCK FOR FLOPPY DISK DRIVE**

5,673,573 * 10/1997 Green 70/58
6,053,017 * 4/2000 Ling 70/58

(76) **Inventor:** **Chong-Kuan Ling**, 11F, No. 27, An-Ho Road, Sec. 1, Taipei (TW), 106

* cited by examiner

Primary Examiner—Kay H. Chin

(**) **Term:** **14 Years**

(57) **CLAIM**

(21) **Appl. No.:** **29/111,098**

The ornamental design for: combination lock for floppy disk drive, as shown and described.

(22) **Filed:** **Sep. 10, 1999**

DESCRIPTION

(51) **LOC (7) Cl.** **14-02**

(52) **U.S. Cl.** **D14/432; D8/331**

(58) **Field of Search** D14/432, 434, D14/435, 436, 437, 438; D8/330-331; 70/58, 14, 57, 312

FIG. 1 is a perspective view of a combination lock for floppy disk drive showing a first preferred embodiment of my new design;

FIG. 2 is a front elevational view;

FIG. 3 is a rear elevational view;

FIG. 4 is a left side elevational view;

FIG. 5 is a right side elevational view;

FIG. 6 is a top plan view; and,

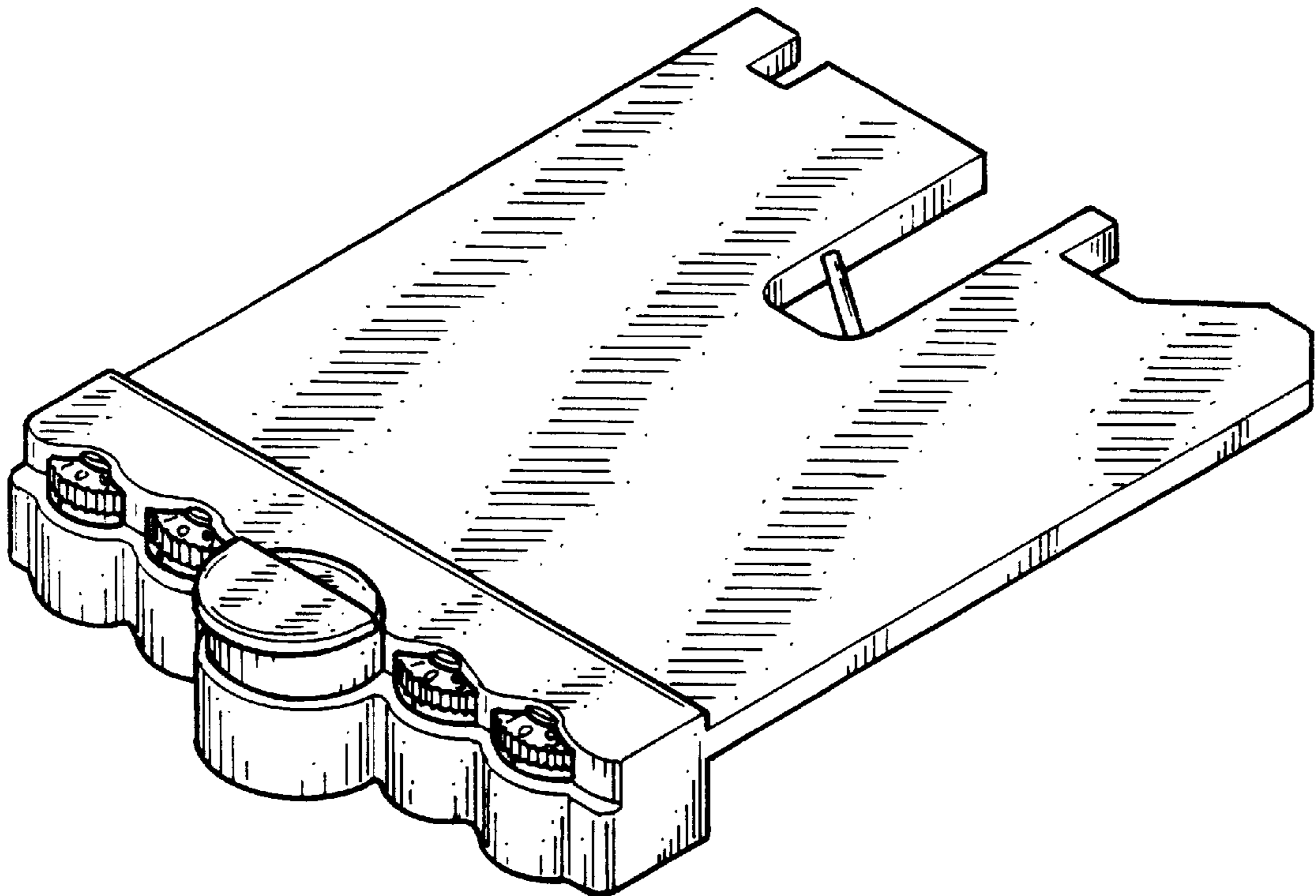
FIG. 7 is a bottom plan view.

(56) **References Cited**

U.S. PATENT DOCUMENTS

D. 337,041 * 7/1993 Carl D8/331
4,884,419 * 12/1989 Ling 70/312

1 Claim, 5 Drawing Sheets



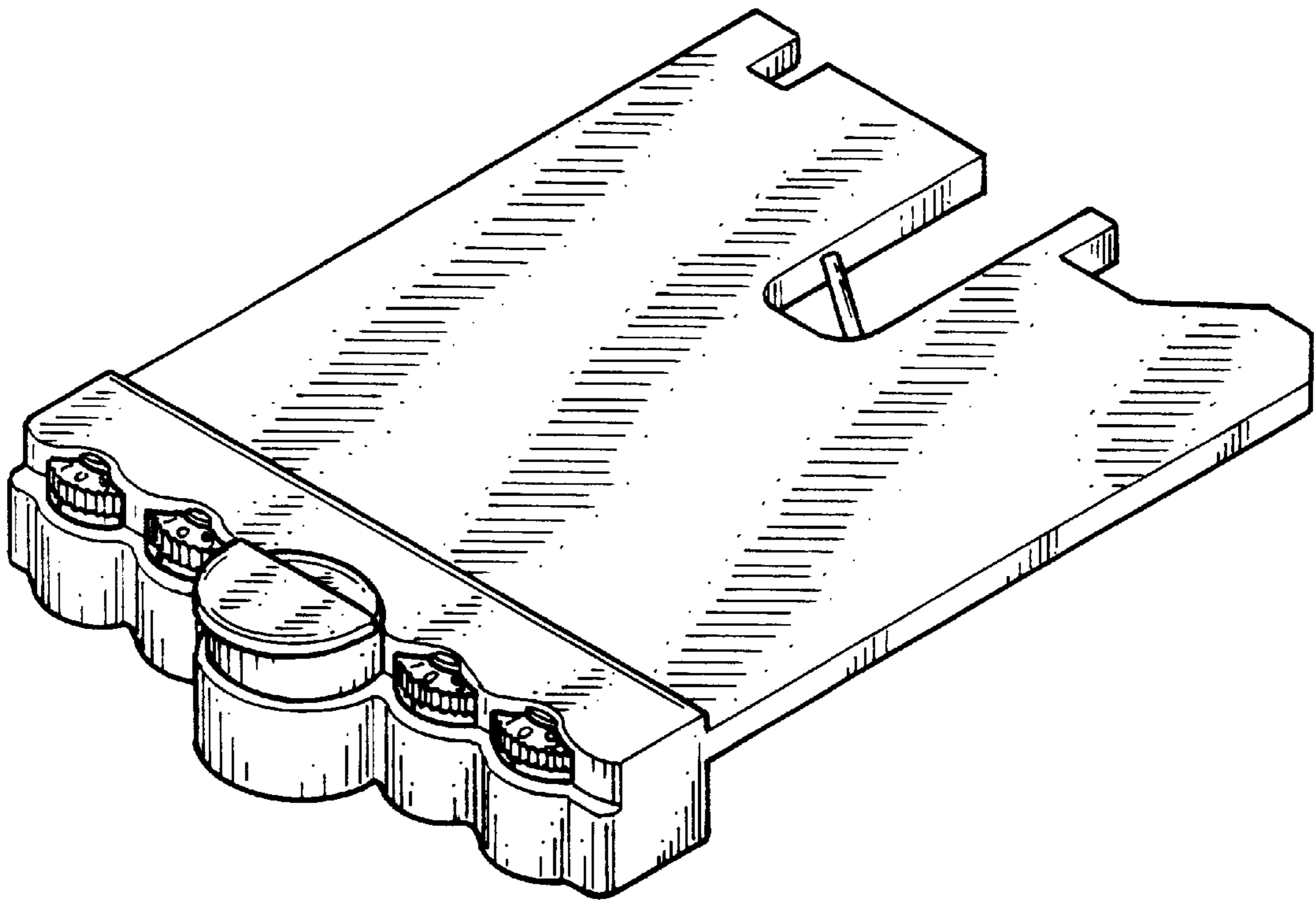


FIG. 1

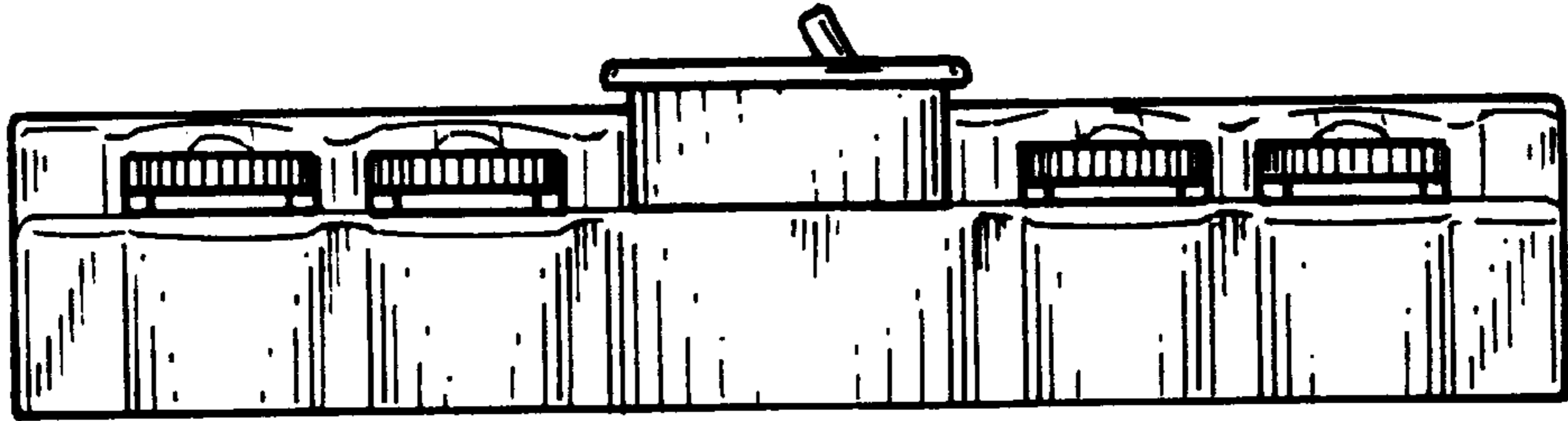


FIG. 2

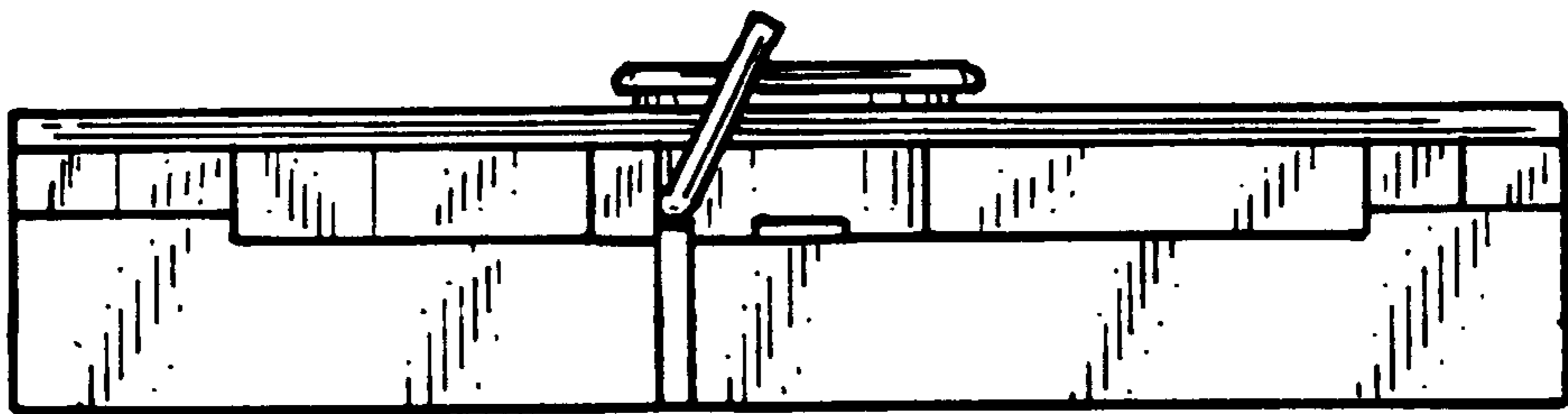


FIG. 3

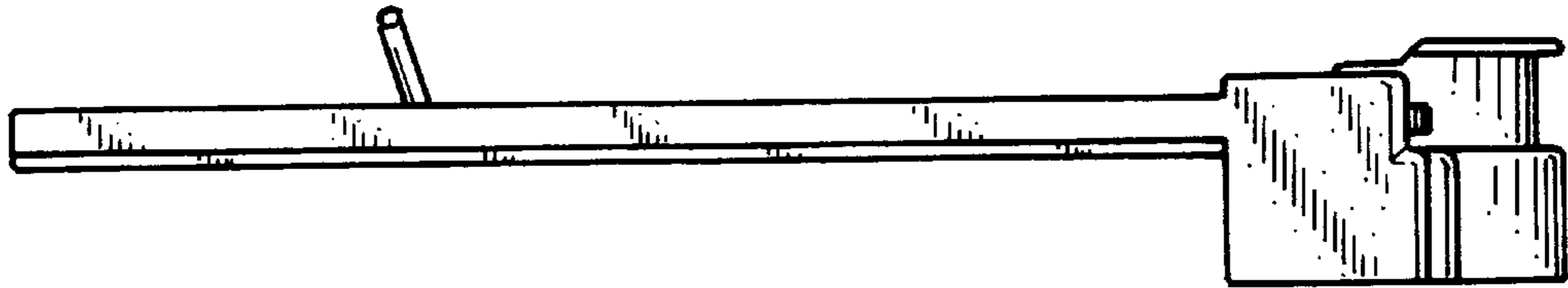


FIG. 4

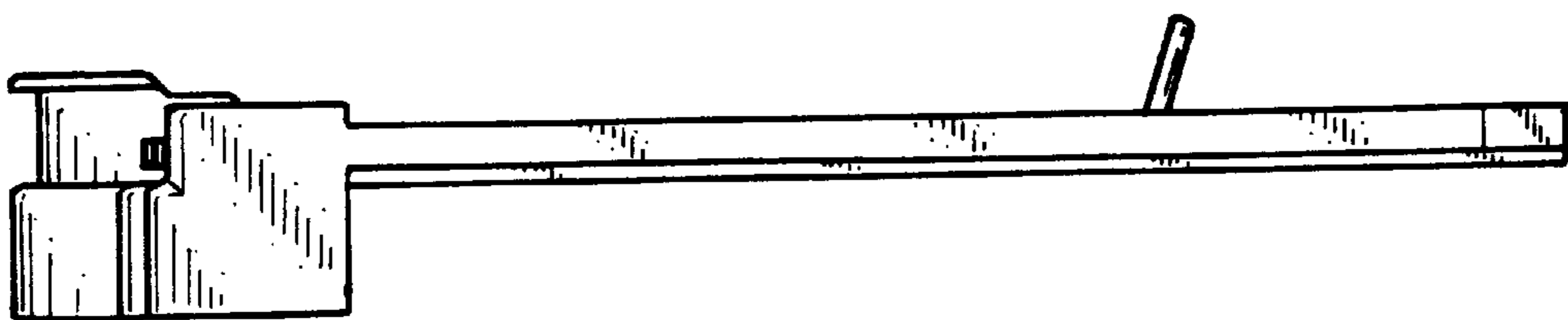


FIG. 5

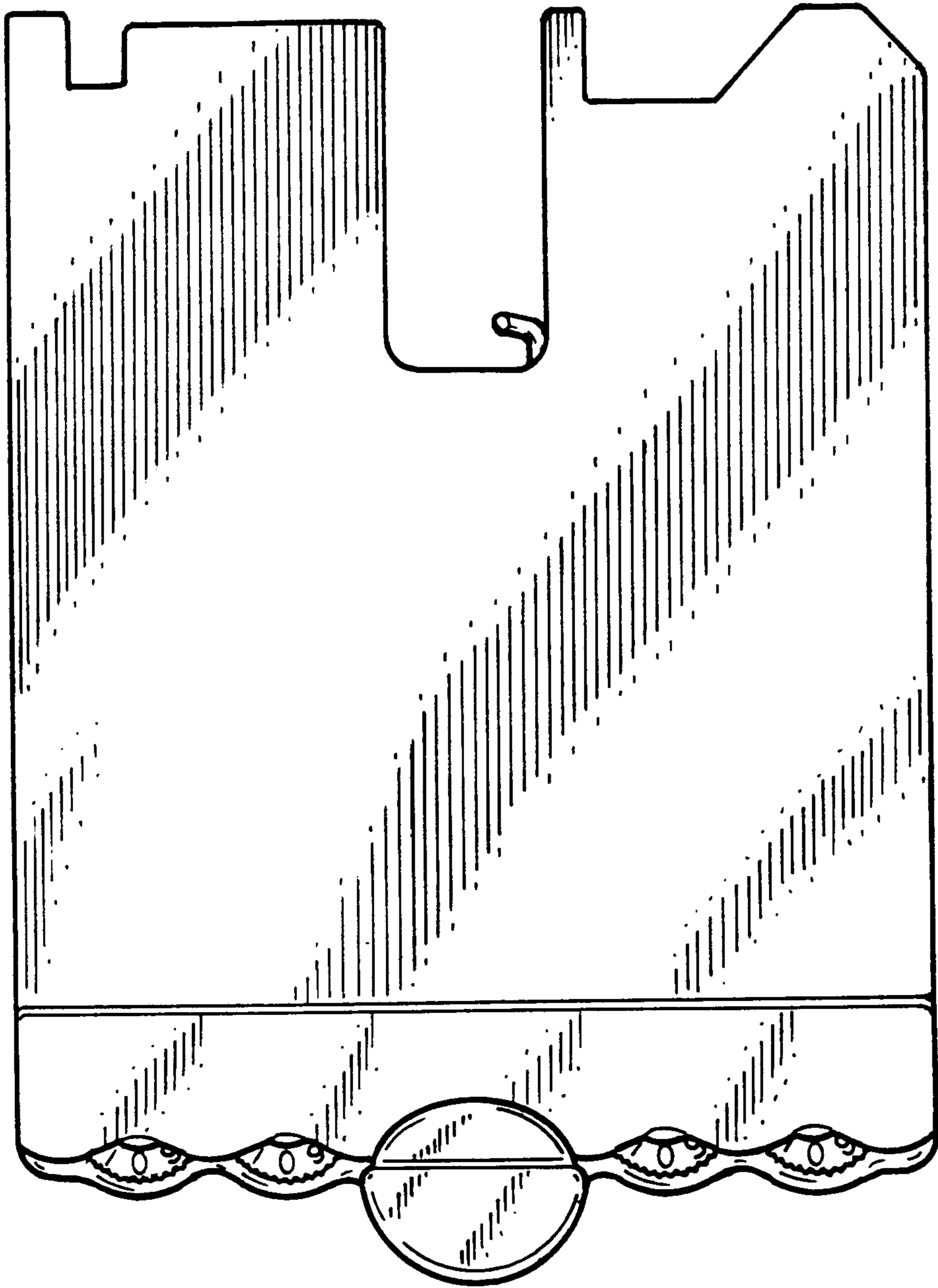


FIG. 6

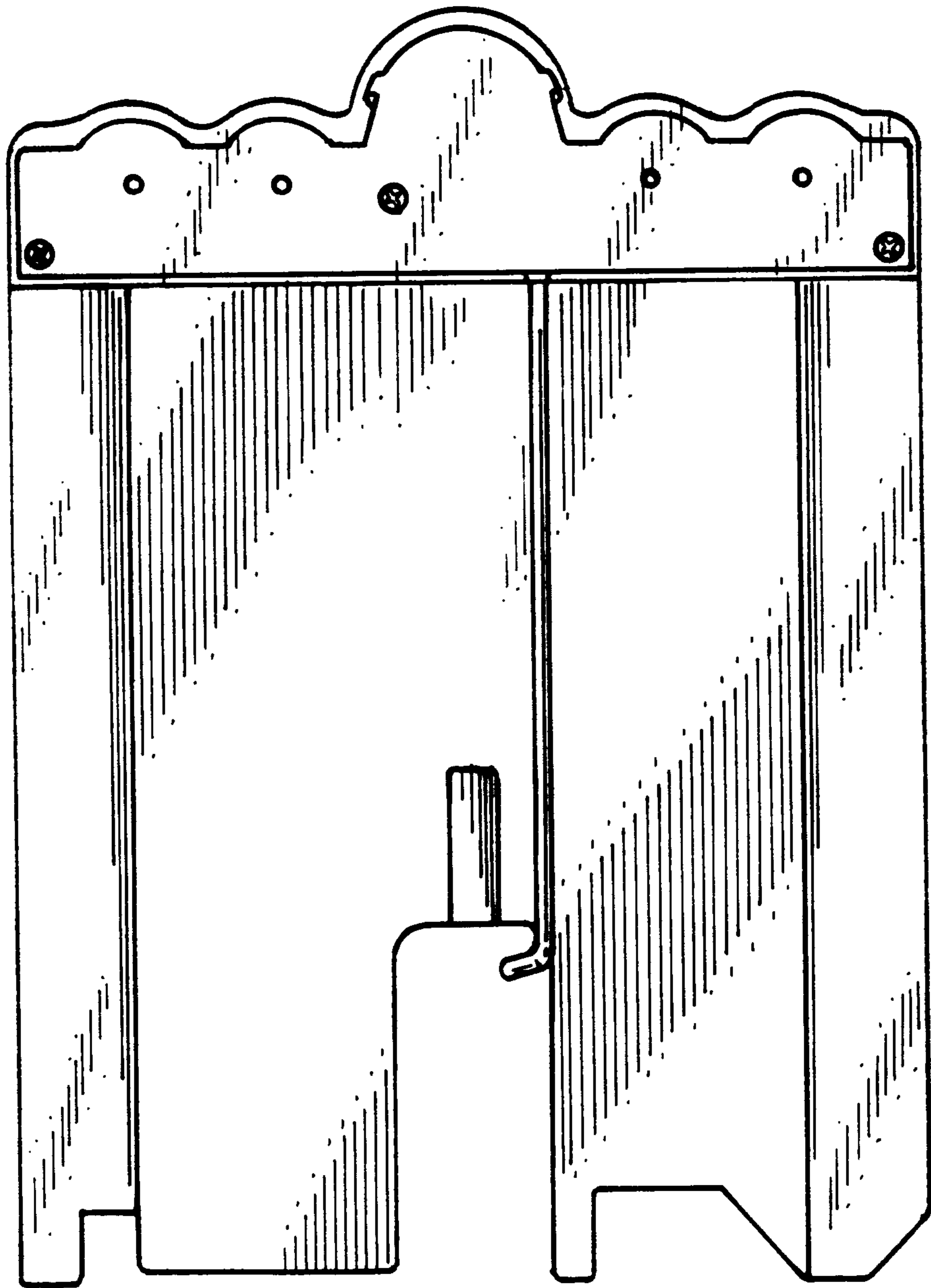


FIG. 7