



US00D436593S

(12) **United States Design Patent**
Narotzky

(10) **Patent No.:** **US D436,593 S**

(45) **Date of Patent:** **** Jan. 23, 2001**

(54) **COMPUTER CLIP**

(75) Inventor: **Harold Narotzky**, Westfield, NJ (US)

(73) Assignee: **Aberson, Narotzky & White, Inc.**,
Westfield, NJ (US)

(**) Term: **14 Years**

(21) Appl. No.: **29/107,378**

(22) Filed: **Jul. 1, 1999**

(51) **LOC (7) Cl.** **14-02**

(52) **U.S. Cl.** **D14/432; D14/448**

(58) **Field of Search** D14/432, 439,
D14/448, 451; D19/88, 86, 90, 91, 99,
100; D8/373, 395; 312/233; 248/441.1,
442.2, 444, 447, 447.1, 447.2, 459, 289.1

(56) **References Cited**

U.S. PATENT DOCUMENTS

D. 327,502	*	6/1992	Maloney	D19/88
4,693,443	*	9/1987	Drain	248/447.1
4,949,933	*	8/1990	Stone	248/442.2
5,104,088	*	4/1992	Bakanowsky, III	248/442.2
5,221,070	*	6/1993	Heilmer	248/447.1

* cited by examiner

Primary Examiner—Kay H. Chin

(74) *Attorney, Agent, or Firm*—Salter & Michaelson

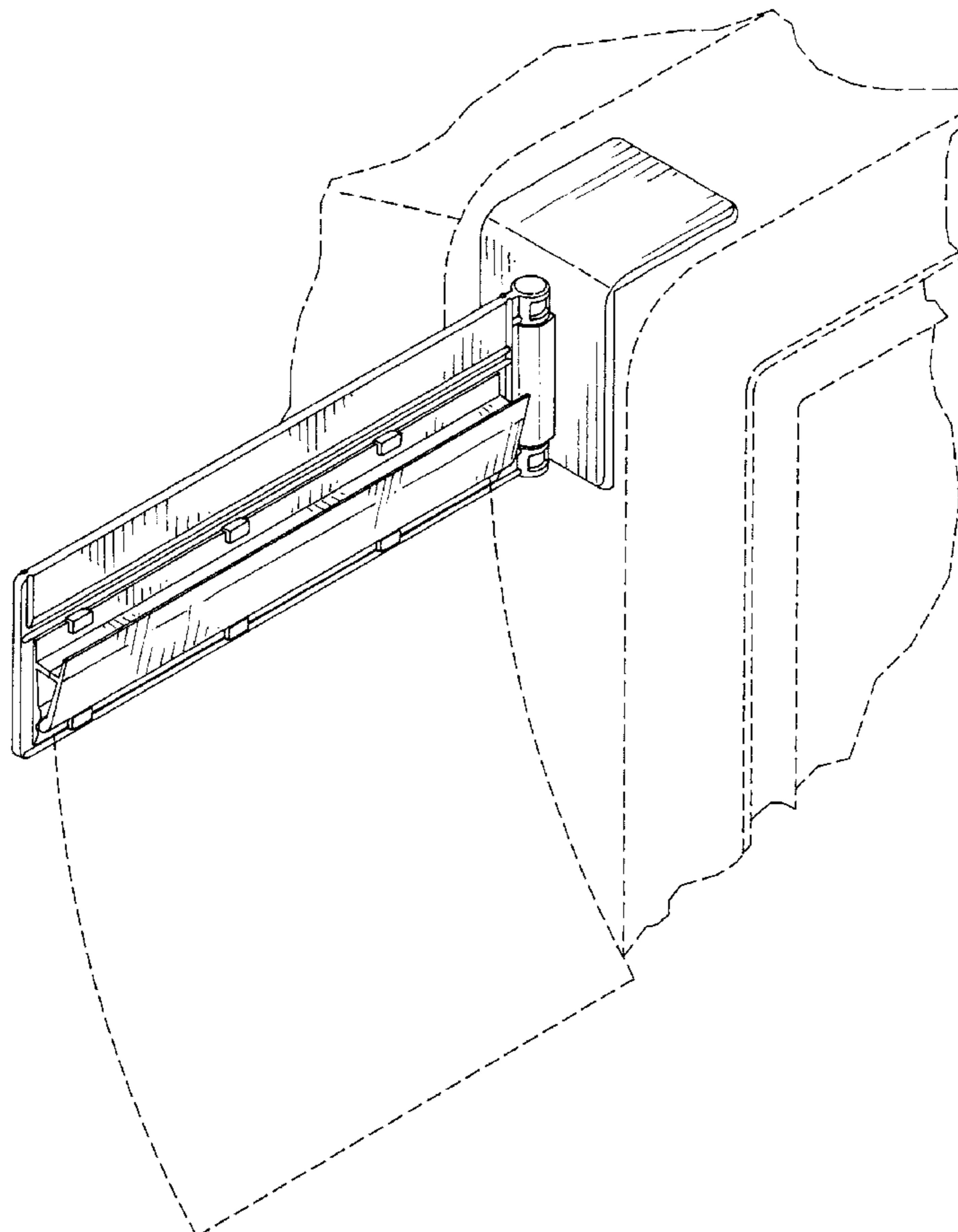
(57) **CLAIM**

The ornamental design for a computer clip, as shown and described.

DESCRIPTION

FIG. 1 is a perspective view of a computer clip showing my new design;
 FIG. 2 is a front elevational view thereof;
 FIG. 3 is a rear elevational view thereof;
 FIG. 4 is a top plan view thereof;
 FIG. 5 is a bottom plan view thereof;
 FIG. 6 is a left end view thereof;
 FIG. 7 is a right end view thereof;
 FIG. 8 is a top perspective view of a second embodiment of the computer clip;
 FIG. 9 is a front elevational view of FIG. 8;
 FIG. 10 is a rear elevational view of FIG. 8;
 FIG. 11 is a top plan view of FIG. 8;
 FIG. 12 is a bottom plan view of FIG. 8;
 FIG. 13 is a left end view of FIG. 8; and,
 FIG. 14 is a right end view of FIG. 8.
 The broken-line portions in FIGS. 1 and 8 are for information only and form no part of the instant design.

1 Claim, 5 Drawing Sheets



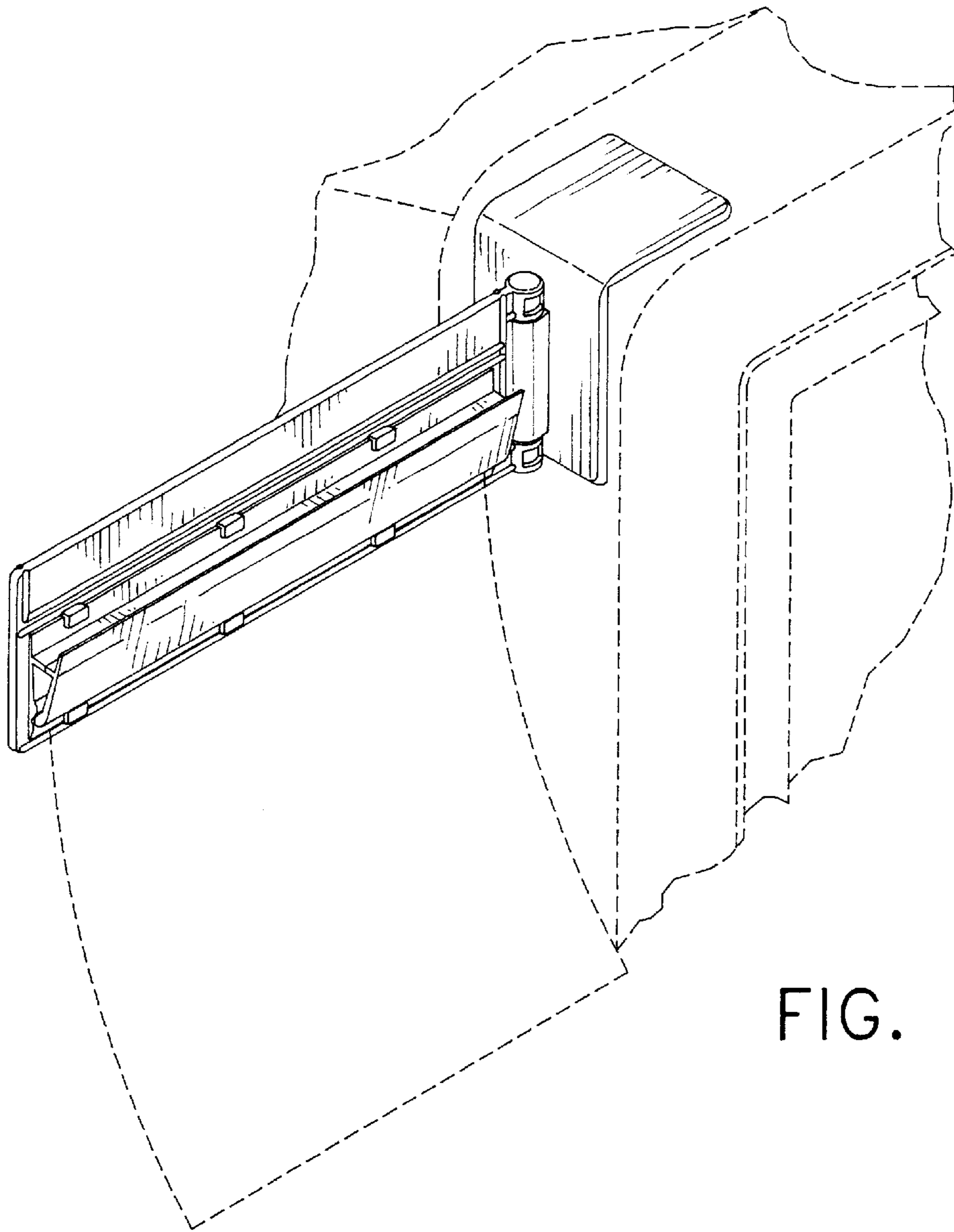


FIG. 1

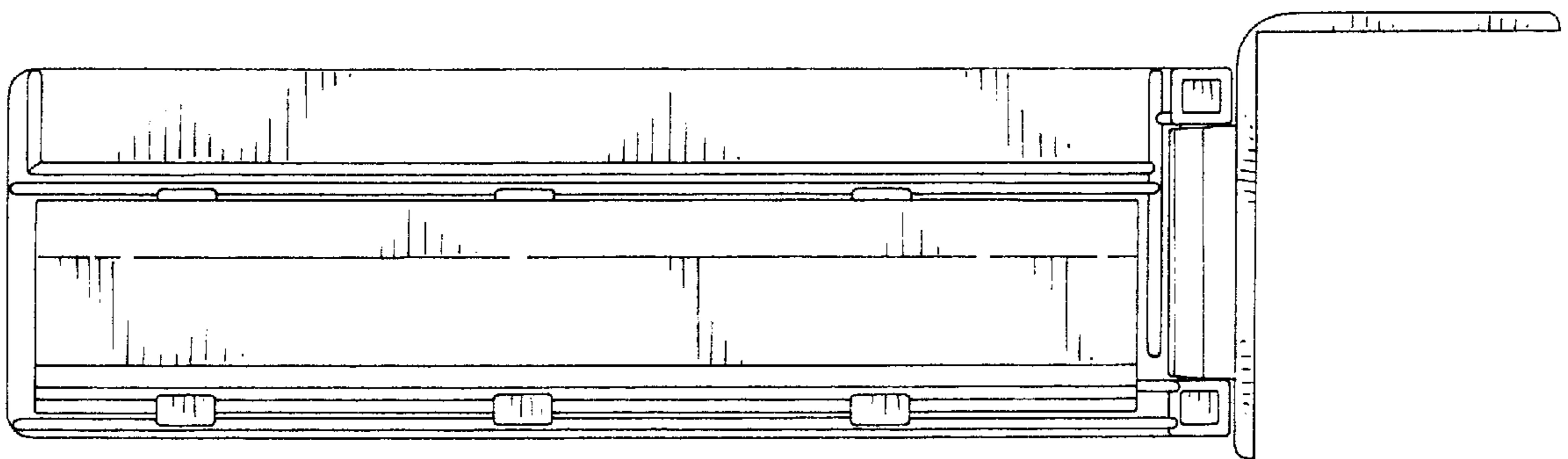


FIG. 2

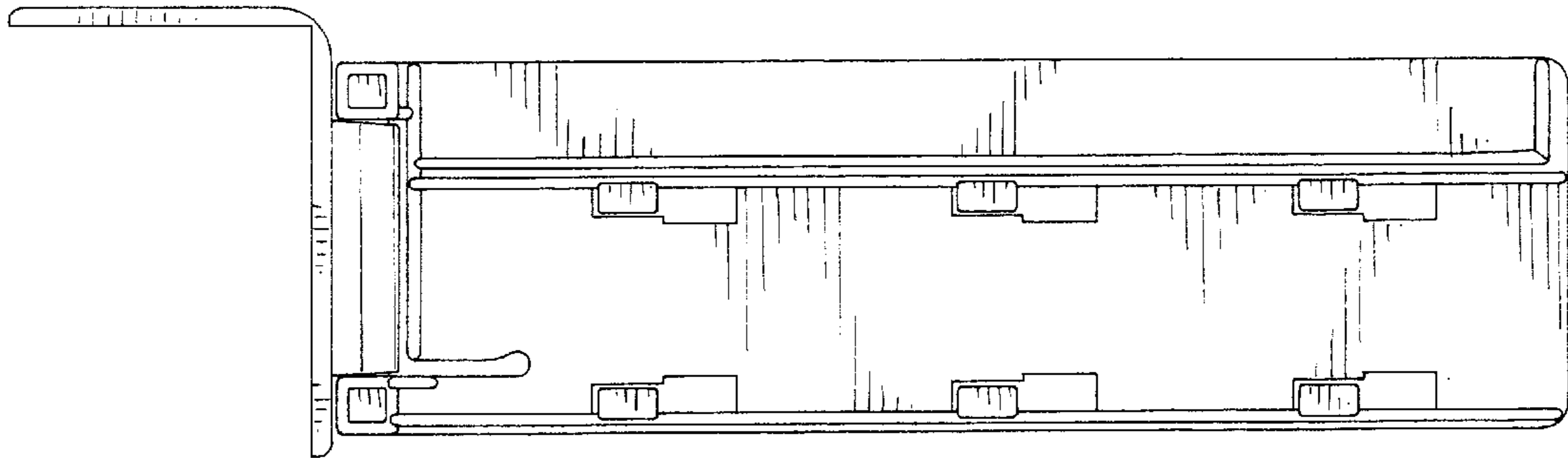


FIG. 3

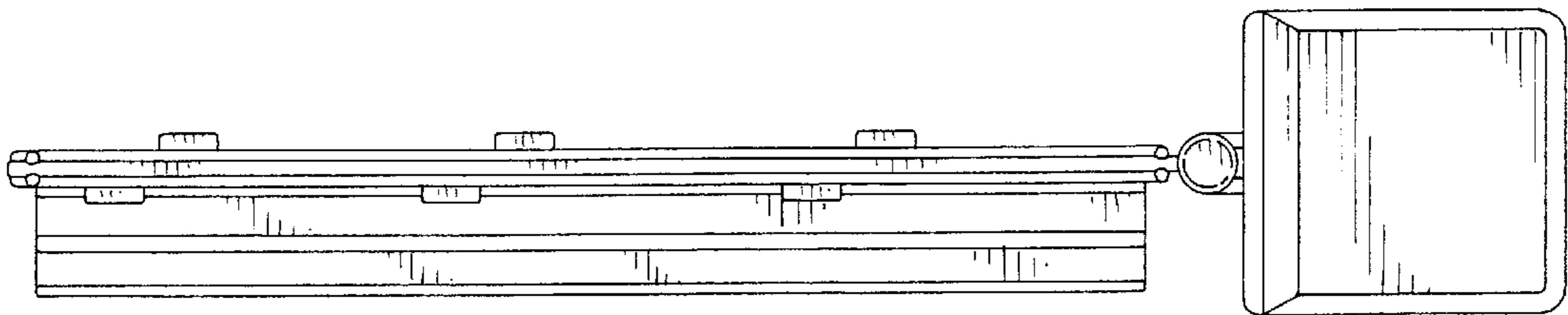


FIG. 4

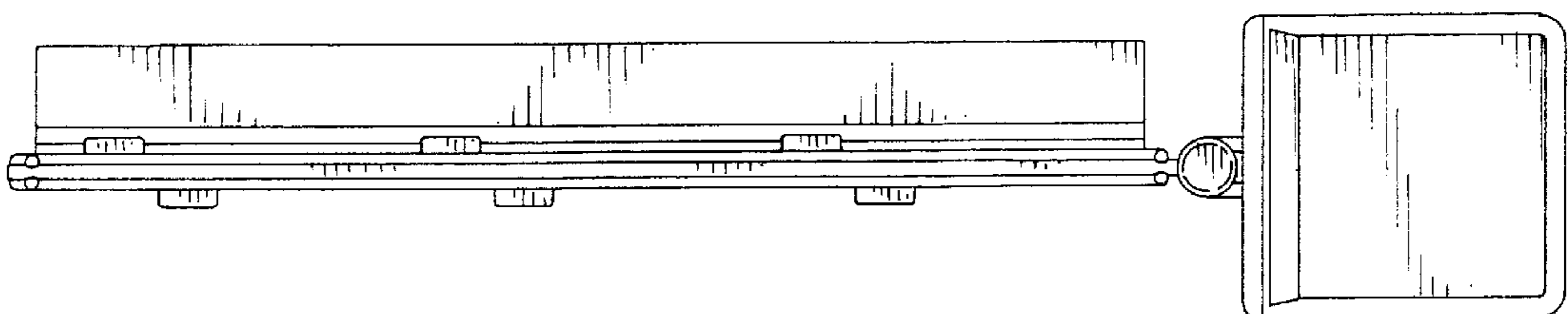


FIG. 5

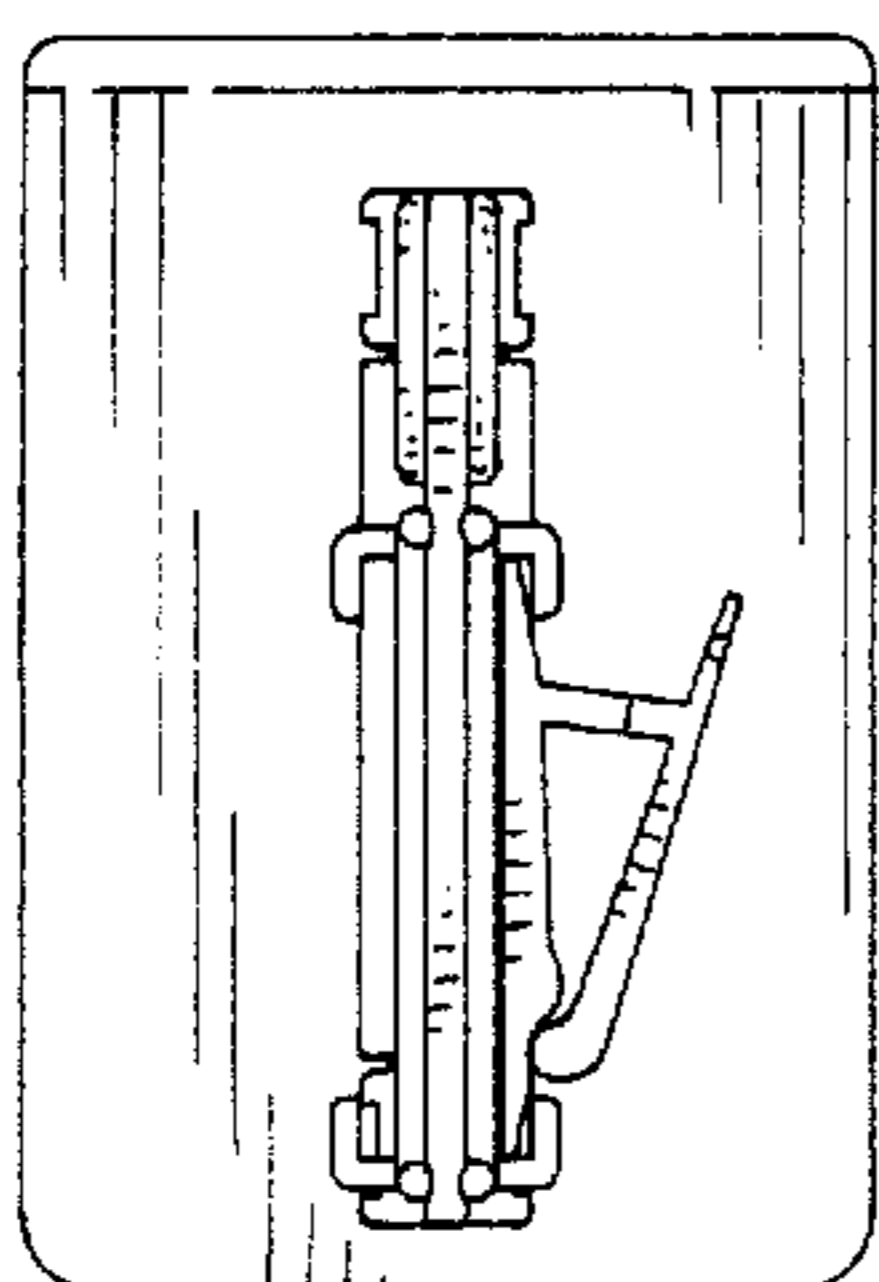


FIG. 6

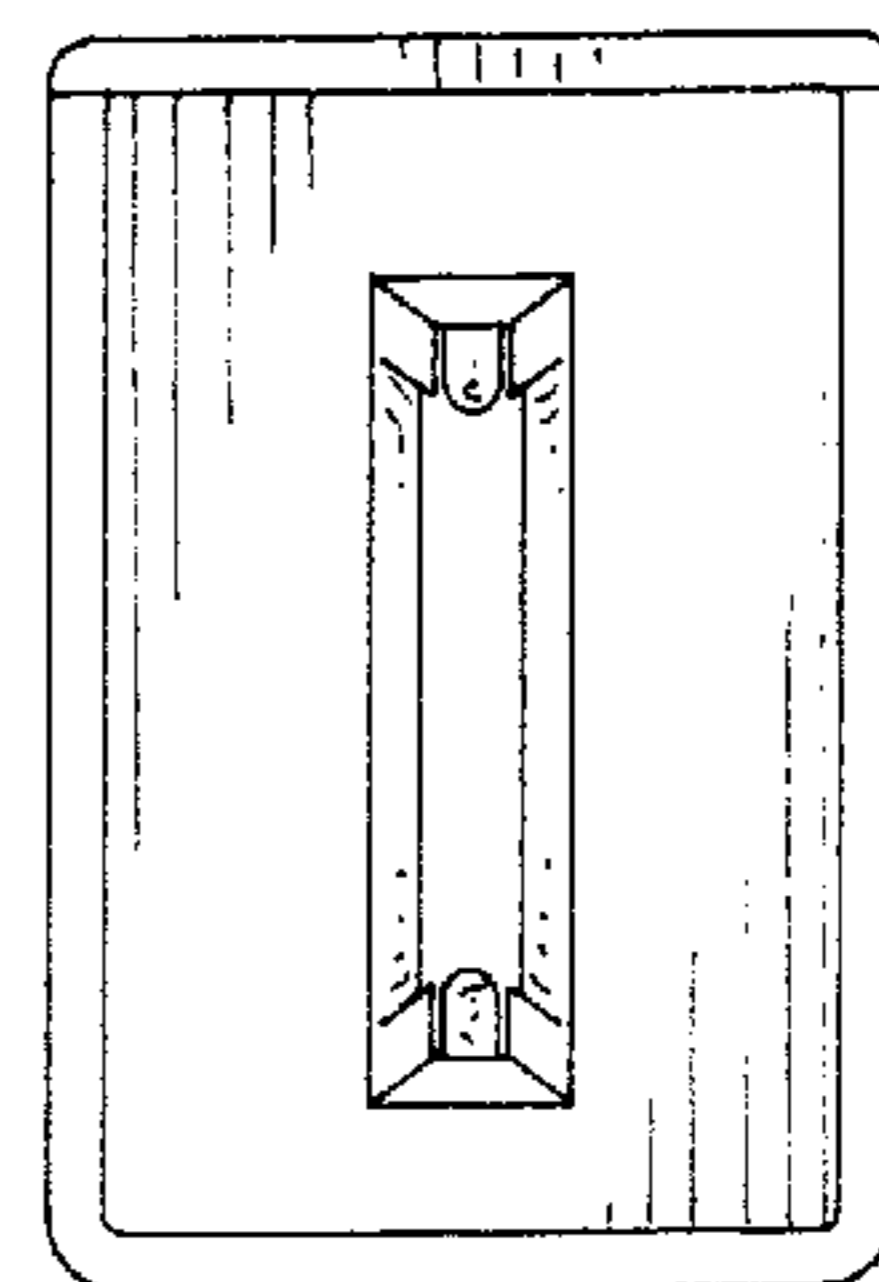


FIG. 7

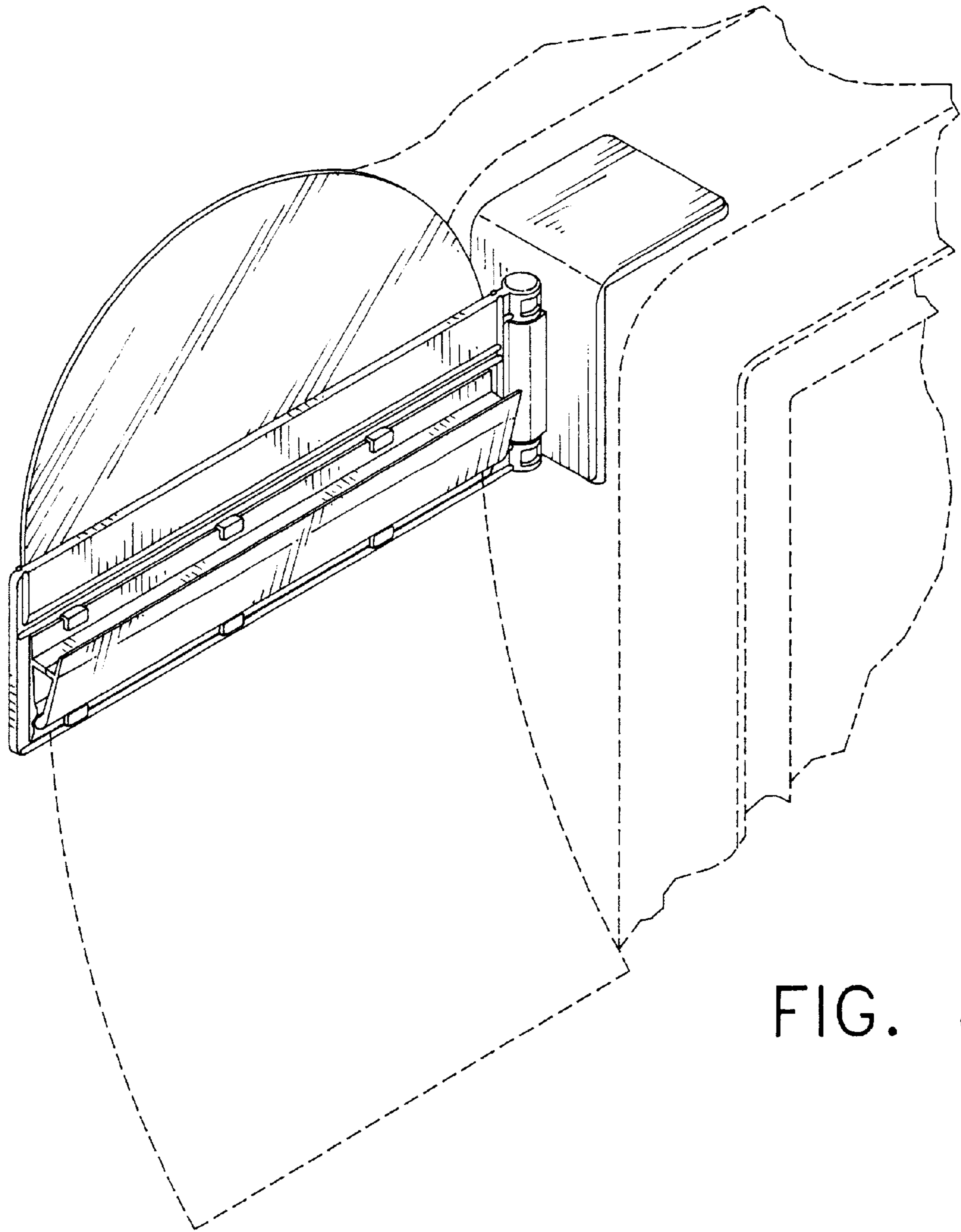


FIG. 8

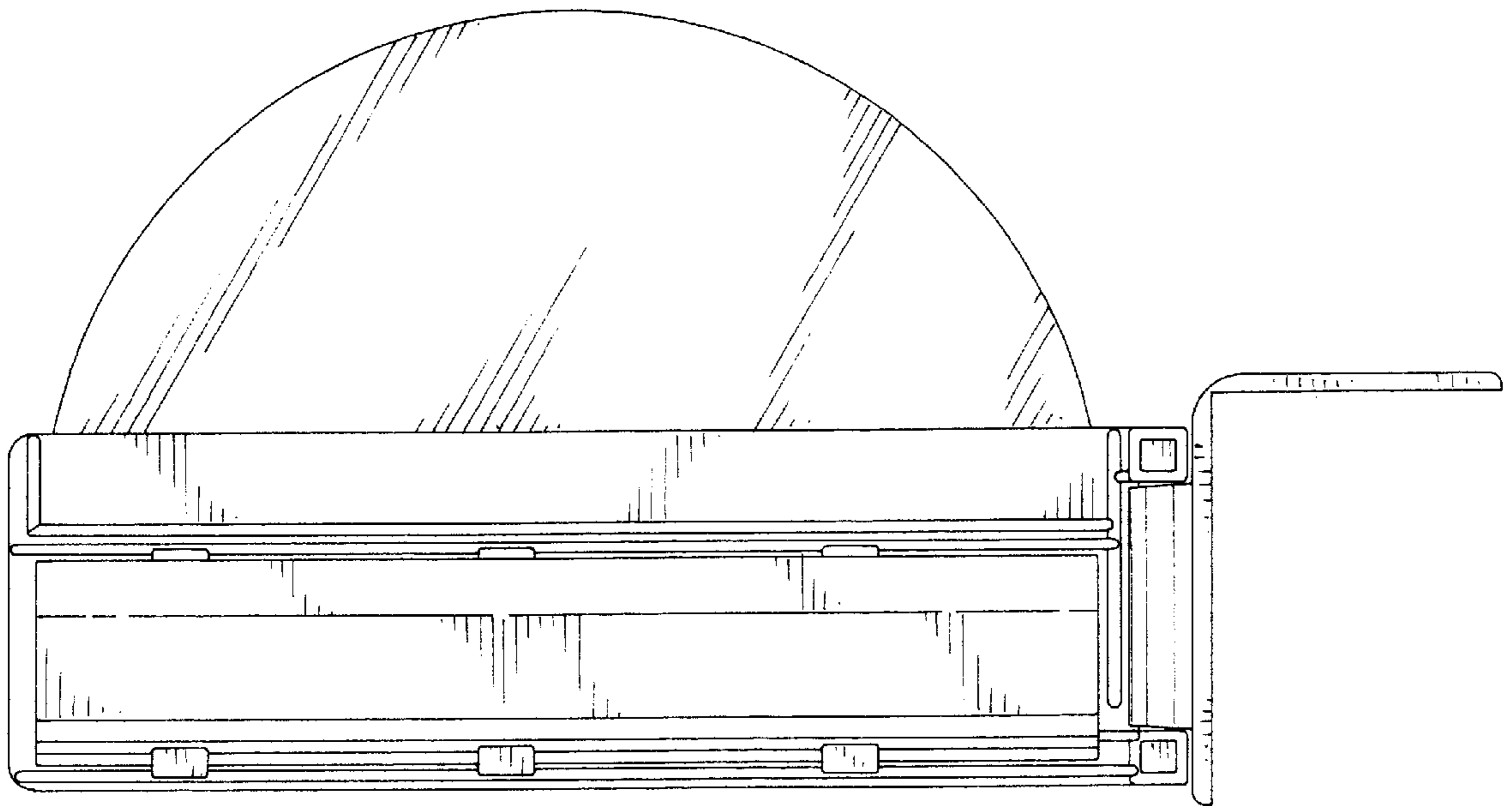


FIG. 9

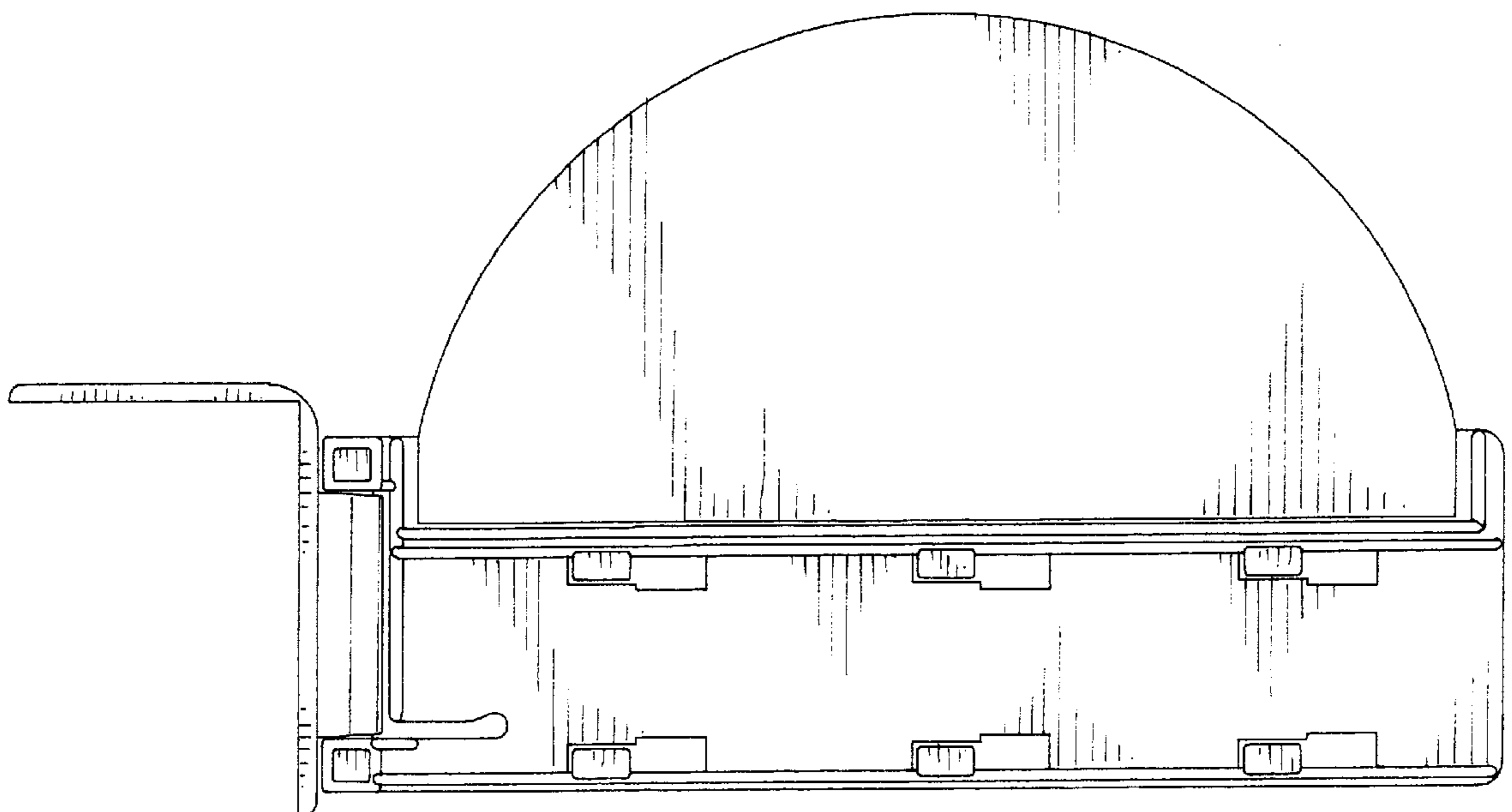


FIG. 10

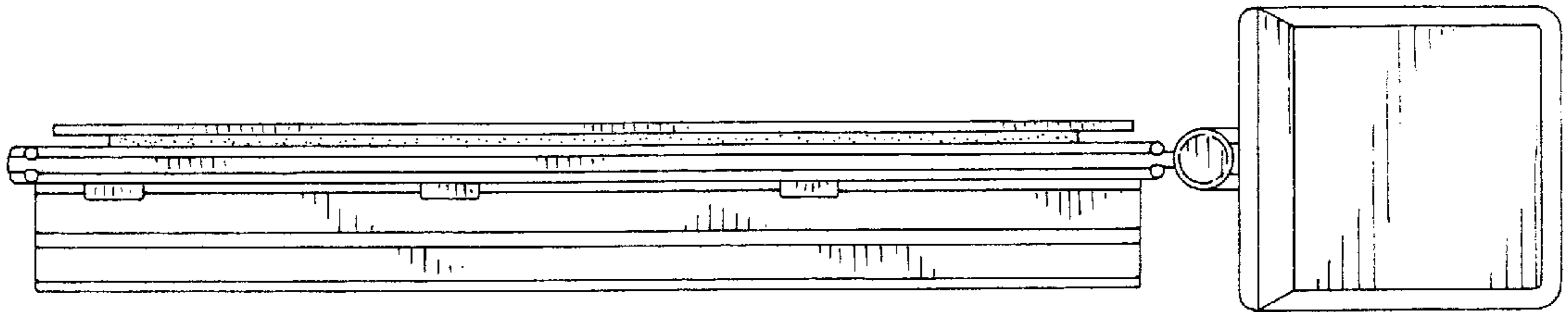


FIG. 11

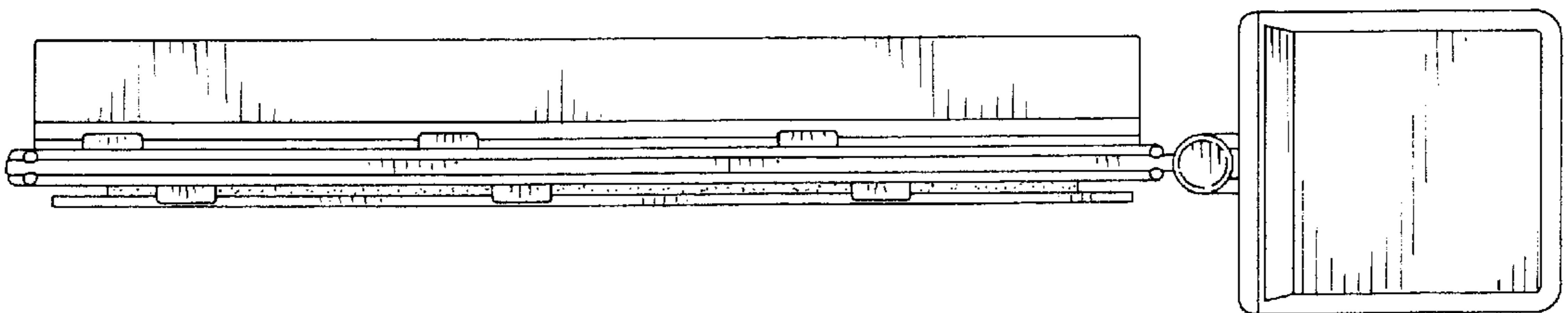


FIG. 12

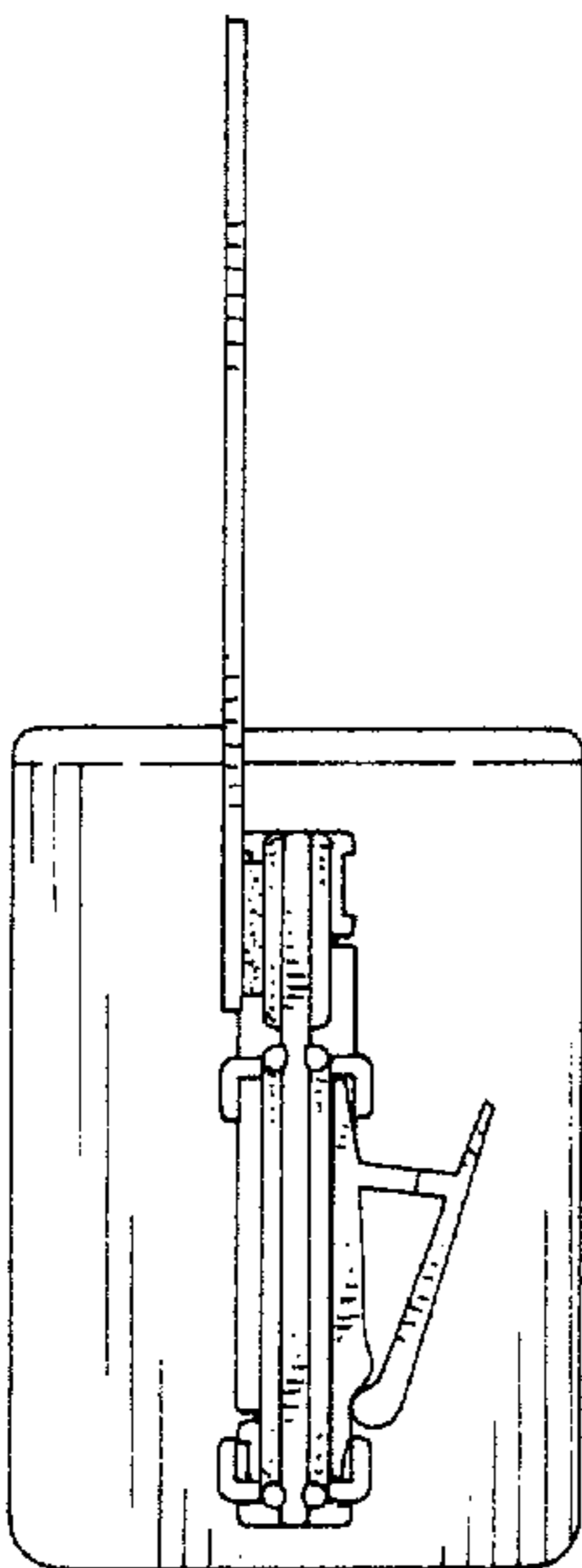


FIG. 13

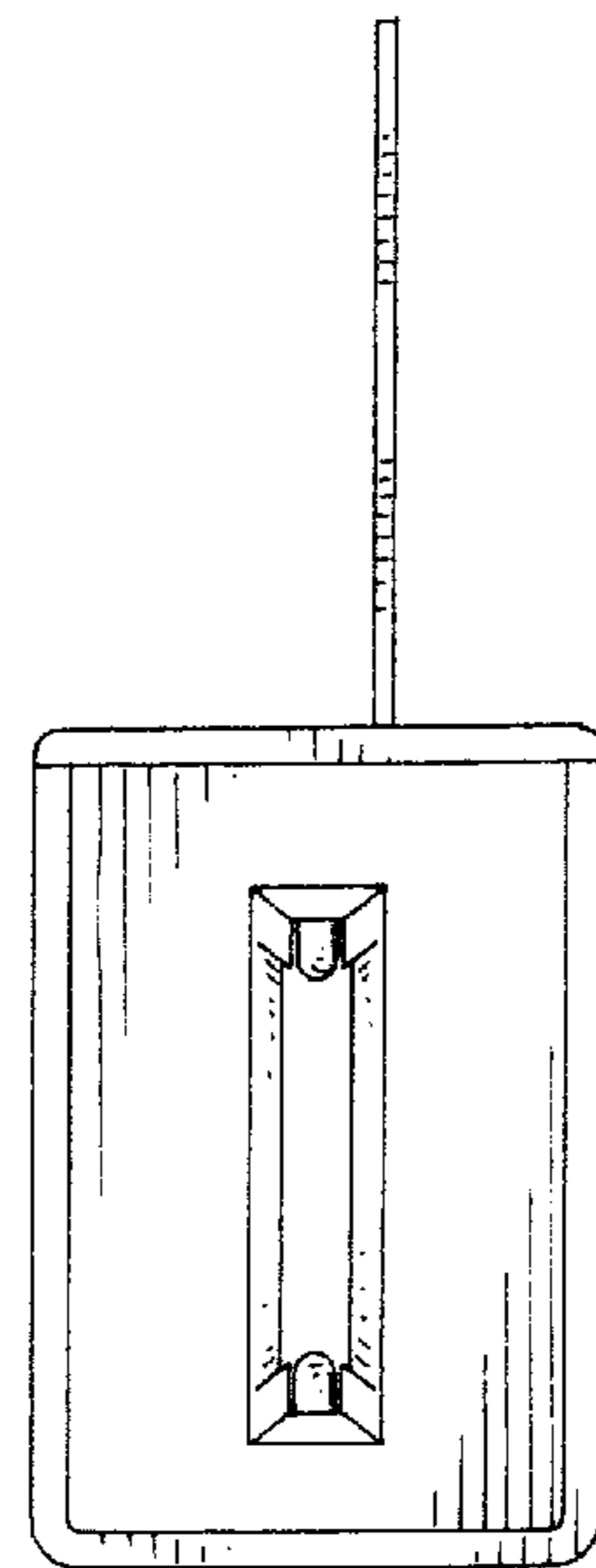


FIG. 14