



US00D436592S

(12) **United States Design Patent**
Okumura

(10) **Patent No.:** **US D436,592 S**

(45) **Date of Patent:** **** Jan. 23, 2001**

(54) **ELECTRONIC ORGANIZER**

(75) **Inventor:** **Makiko Okumura, Nara-ken (JP)**

(73) **Assignee:** **Sharp Kabushiki Kaisha, Osaka (JP)**

(**) **Term:** **14 Years**

(21) **Appl. No.:** **29/113,688**

(22) **Filed:** **Nov. 9, 1999**

(30) **Foreign Application Priority Data**

May 10, 1999 (JP) 11-12253

(51) **LOC (7) Cl.** **14-02**

(52) **U.S. Cl.** **D14/345; D18/2**

(58) **Field of Search** D14/327, 345,
D14/341, 346; D18/2, 7; 235/145 A, 145 R;
341/22, 23; 345/156, 168, 169, 172; D19/59,
60

(56) **References Cited**

U.S. PATENT DOCUMENTS

- D. 351,613 10/1994 Sakaguchi et al. D14/345
- D. 354,046 1/1995 Sakaguchi et al. D14/345
- D. 355,166 * 2/1995 Sakaguchi et al. D14/345

- D. 368,702 4/1996 Shimizu D14/345
- D. 372,898 * 8/1996 Shan D14/345
- D. 388,456 * 12/1997 Takahata et al. D18/2
- D. 404,021 1/1999 Nishida D14/345
- D. 409,987 5/1999 Okumura D14/327

* cited by examiner

Primary Examiner—Freda Nunn

(74) *Attorney, Agent, or Firm*—Nixon & Vanderhye

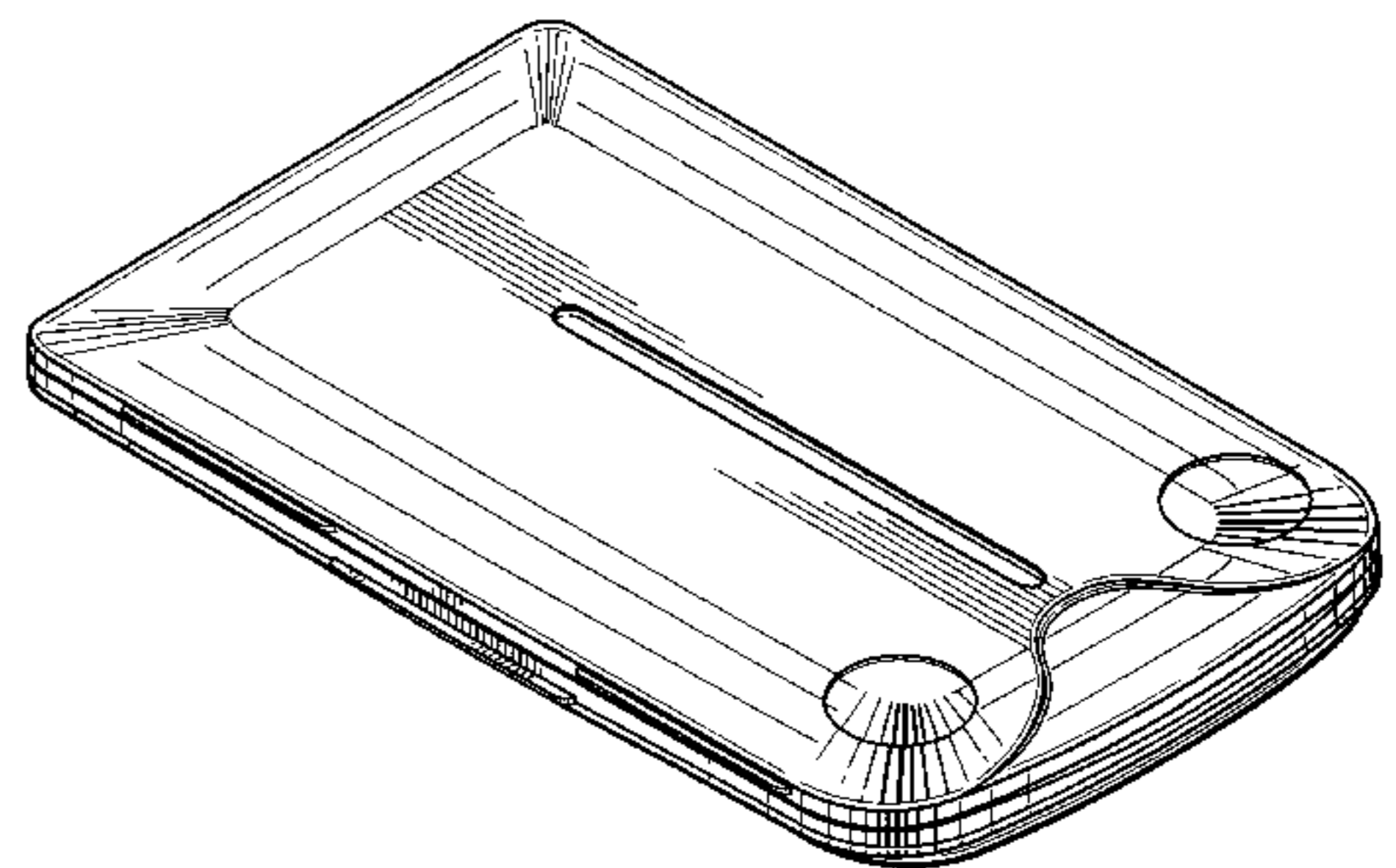
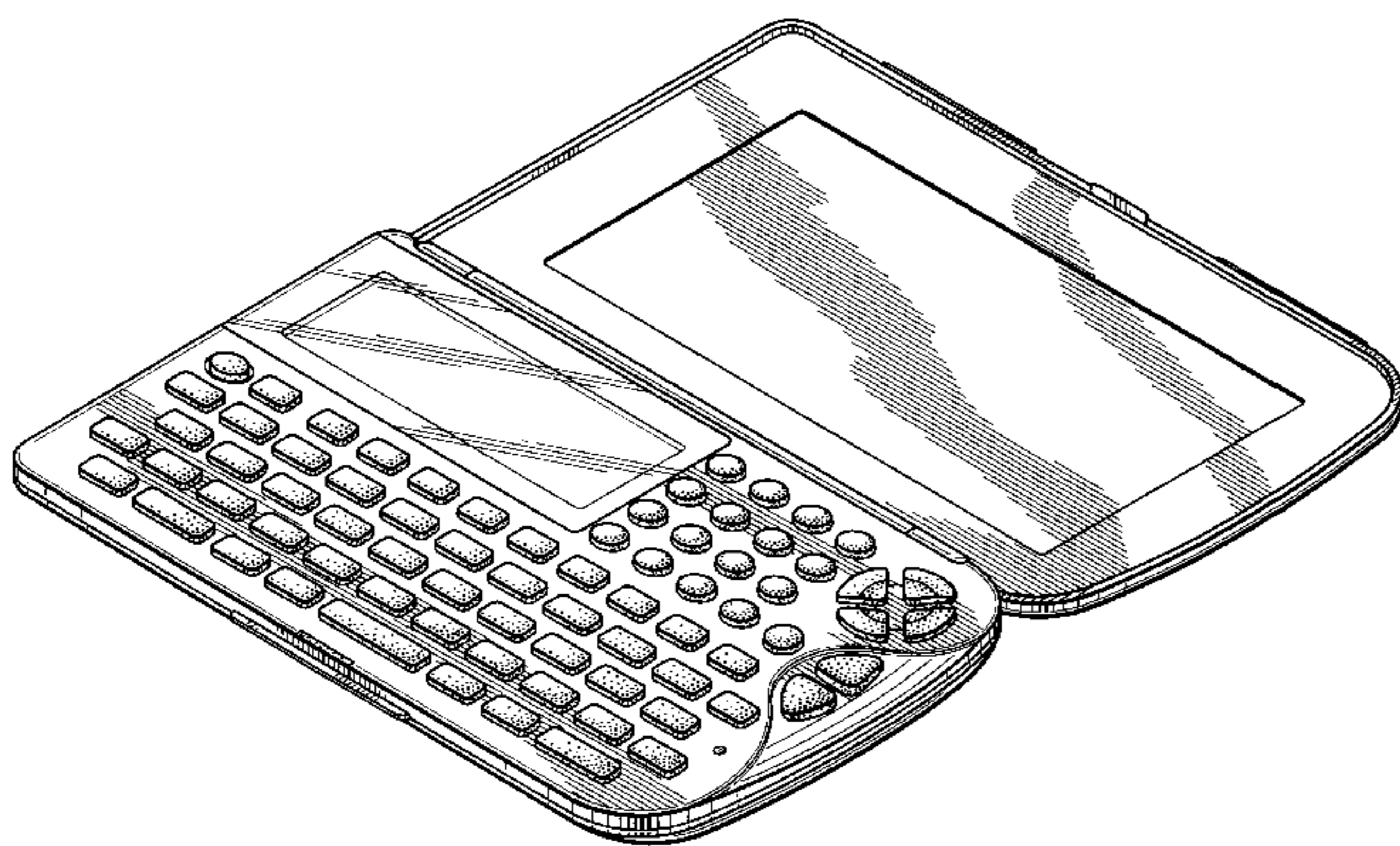
(57) **CLAIM**

The ornamental design for an electronic organizer, as shown and described.

DESCRIPTION

FIG. 1 is a top, front and right side perspective view of an electronic organizer according to my design;
 FIG. 2 is a top plan view thereof;
 FIG. 3 is a front elevational view thereof;
 FIG. 4 is a rear elevational view thereof;
 FIG. 5 is a bottom plan view thereof;
 FIG. 6 is a right side elevational view thereof;
 FIG. 7 is a left side elevational view thereof; and,
 FIG. 8 is a top, front and right side perspective view of the electronic organizer in a closed position.

1 Claim, 5 Drawing Sheets



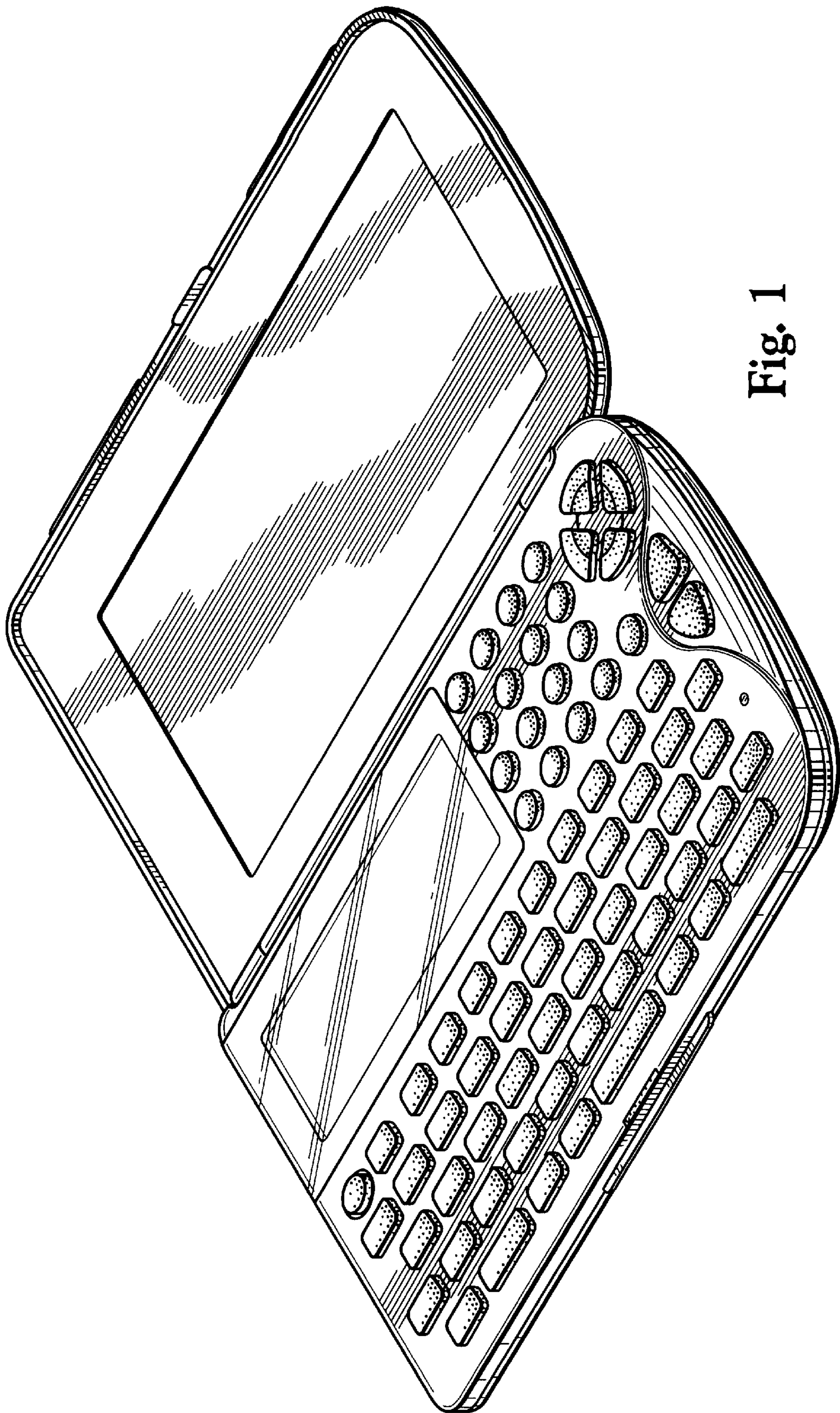


Fig. 1

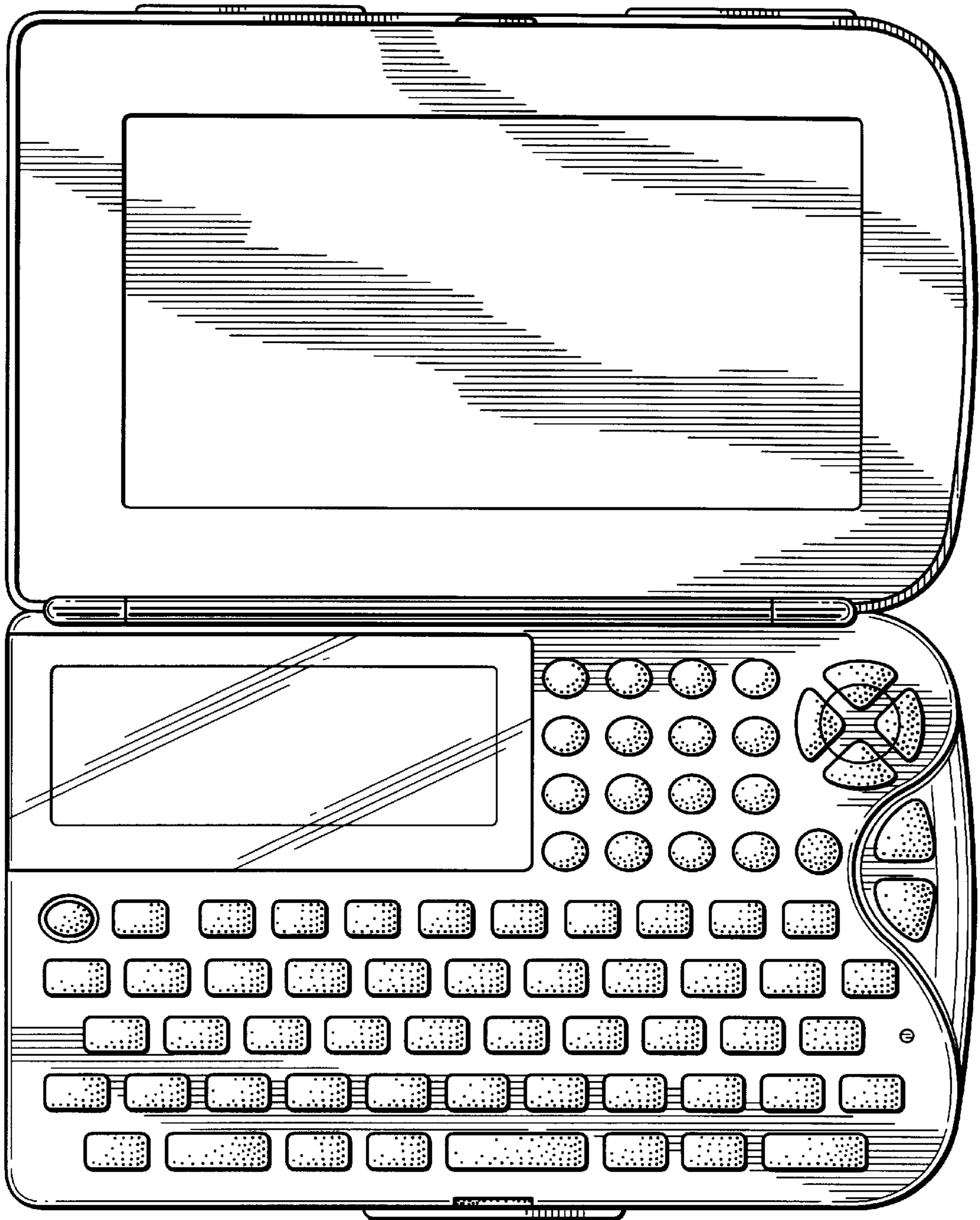


Fig. 2

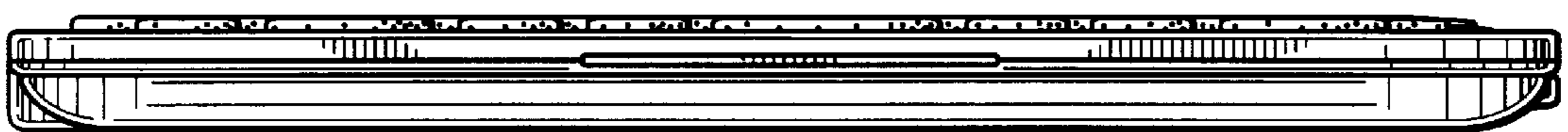


Fig. 3

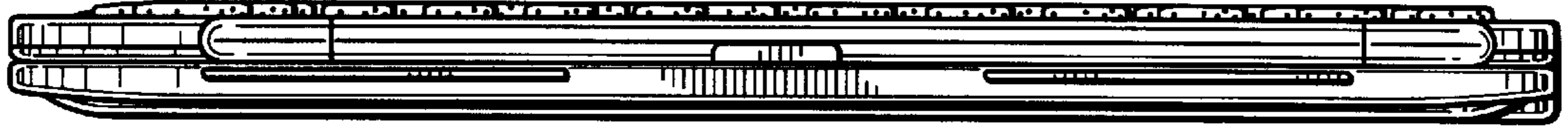


Fig. 4

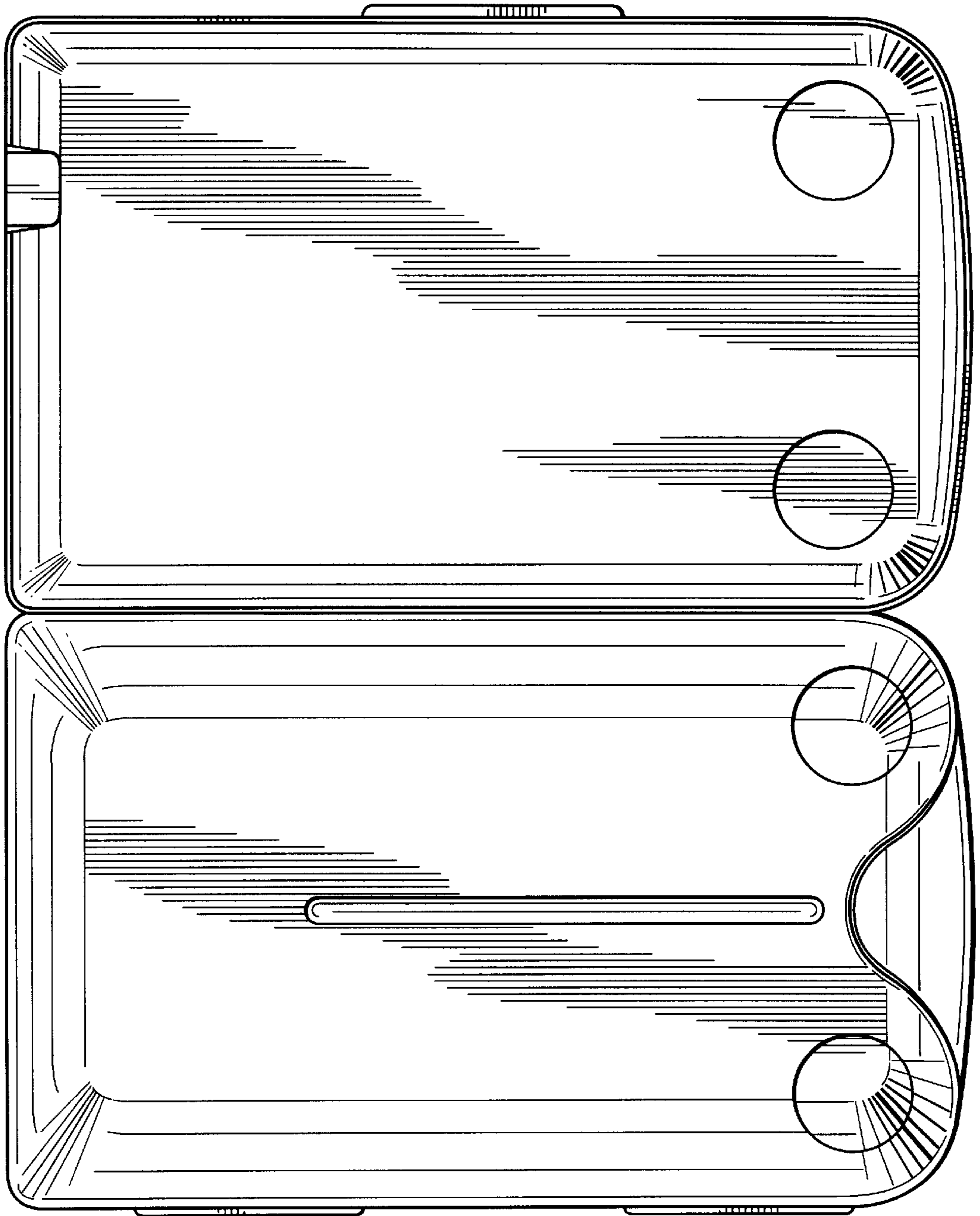


Fig. 5

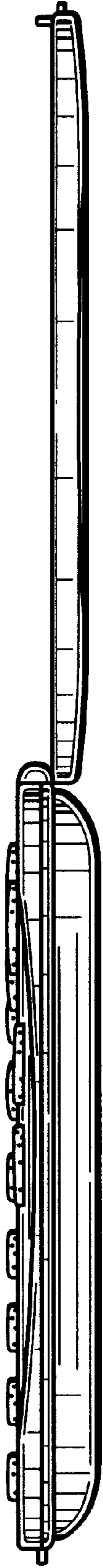


Fig. 6

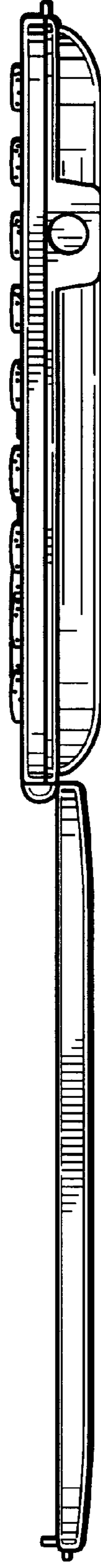


Fig. 7

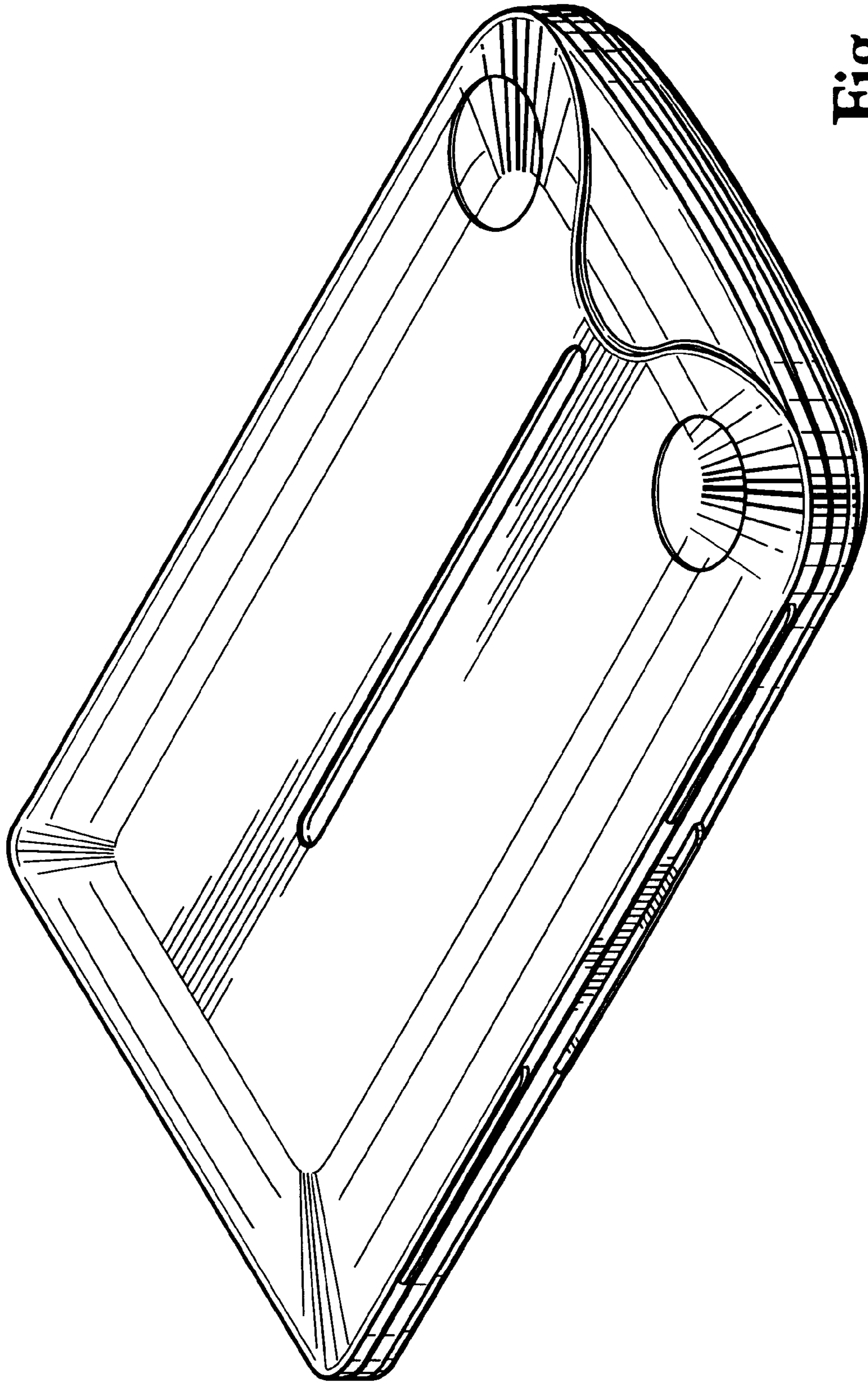


Fig. 8