



US00D436587S

(12) **United States Design Patent**
Liu et al.

(10) **Patent No.:** **US D436,587 S**

(45) **Date of Patent:** **** Jan. 23, 2001**

(54) **SPEAKER**

(76) Inventors: **Ping-Hsiung Liu**, No. 128, Jen Ho Road, Tainan; **Kun-Li Lee**, No. 25, Lane 250, Fu Kou 1st Road, Yung Kang, Tainan Hsien, both of (TW)

(**) Term: **14 Years**

(21) Appl. No.: **29/121,306**

(22) Filed: **Apr. 5, 2000**

(51) **LOC (7) Cl.** **14-01**

(52) **U.S. Cl.** **D14/214; D14/204**

(58) **Field of Search** **D14/204, 207-216; 181/144, 145, 147, 148, 150, 152, 153, 157, 198, 199; 381/300, 301, 302, 307, 359, 361, 363, 364, 386**

(56) **References Cited**

U.S. PATENT DOCUMENTS

- D. 185,963 * 8/1959 Eames D14/211
- D. 375,463 * 11/1996 Bohannon D14/204 X

- D. 379,629 * 6/1997 Watson et al. D14/215
- D. 390,565 * 2/1998 Cheng D14/214
- D. 405,087 * 2/1999 Ito et al. D14/214

* cited by examiner

Primary Examiner—Nanda Bondade

(74) *Attorney, Agent, or Firm*—Rosenberg, Klein & Lee

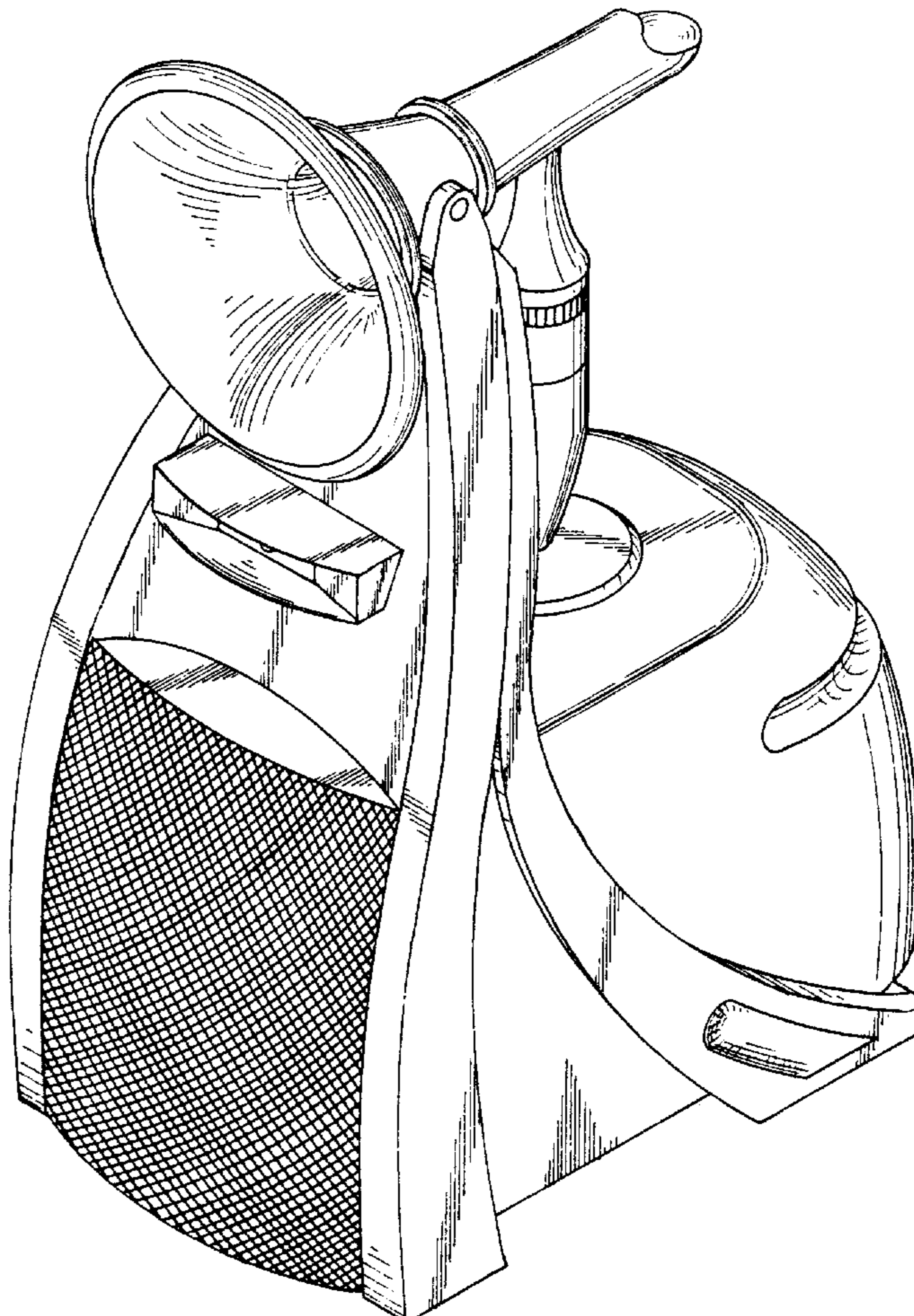
(57) **CLAIM**

The ornamental design for a speaker, as shown and described.

DESCRIPTION

FIG. 1 is a perspective view of a speaker showing our new design;
 FIG. 2 is a front elevational view thereof;
 FIG. 3 is a rear elevational view thereof;
 FIG. 4 is a left side elevational view thereof;
 FIG. 5 is a right side elevational view thereof;
 FIG. 6 is a top plan view thereof; and,
 FIG. 7 is a bottom plan view thereof.

1 Claim, 4 Drawing Sheets



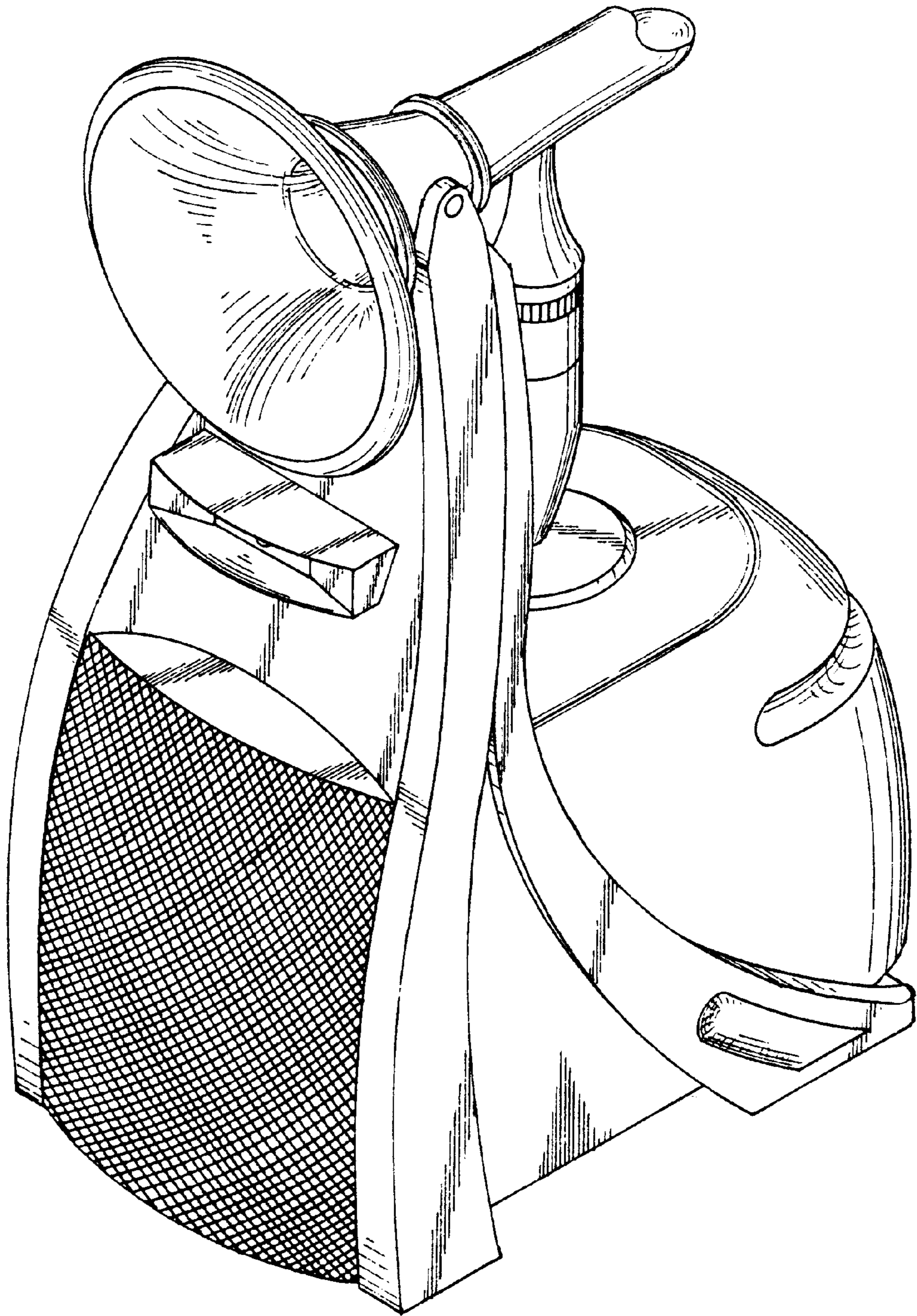


FIG. 1

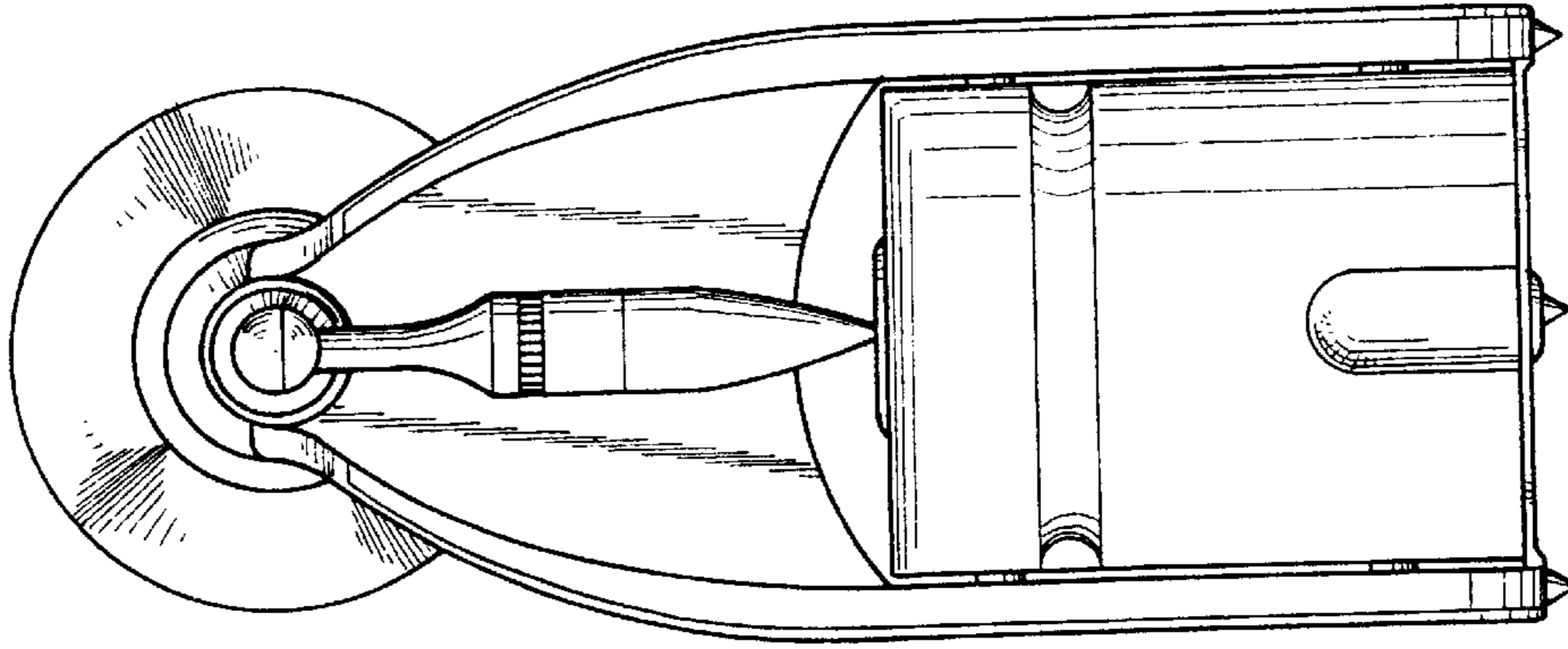


FIG. 3

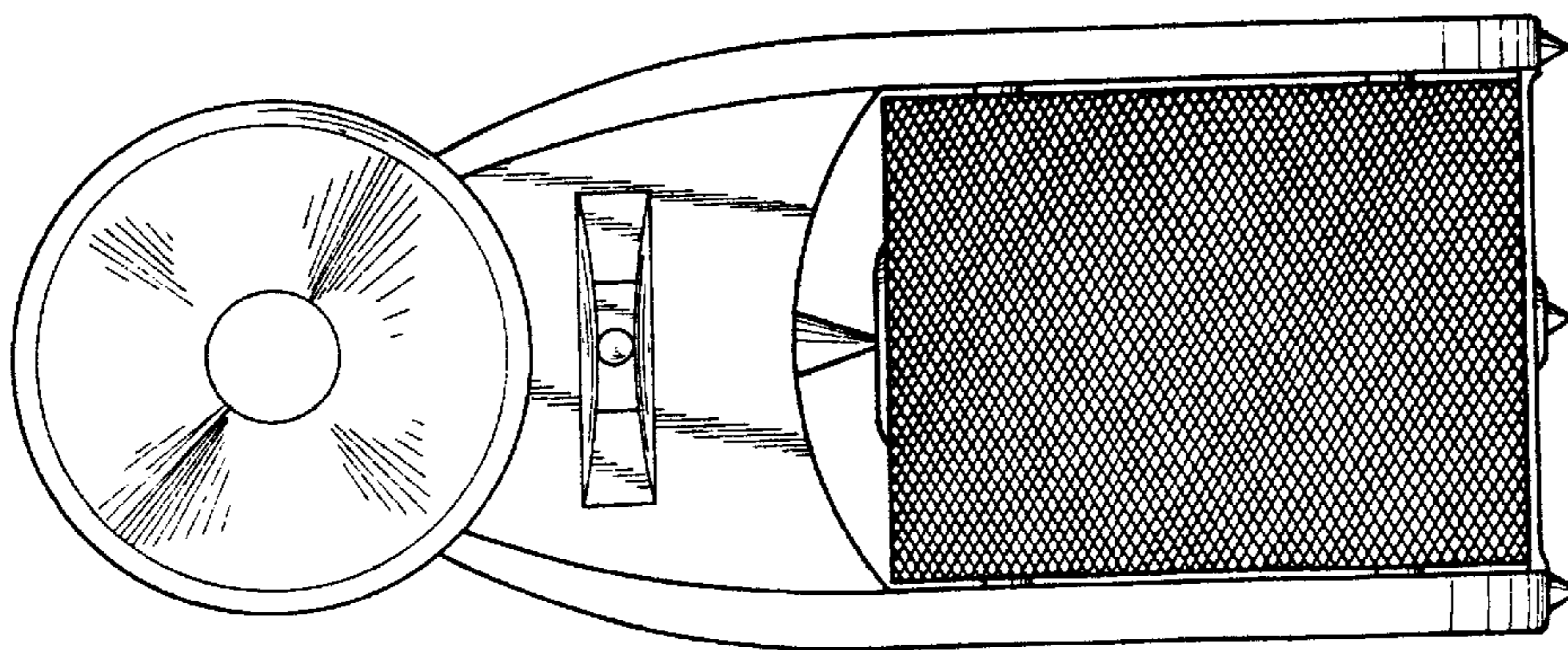


FIG. 2

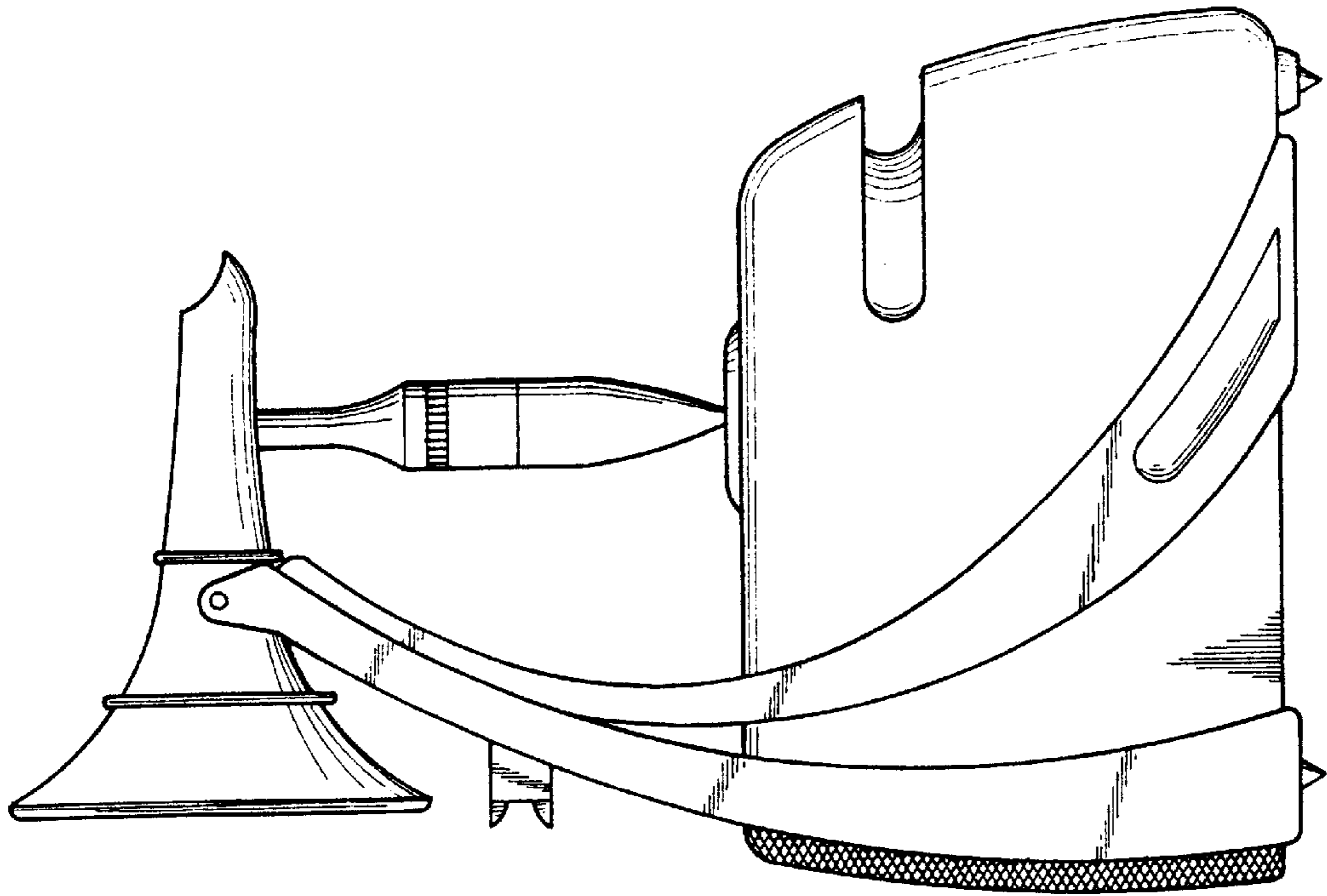


FIG. 5

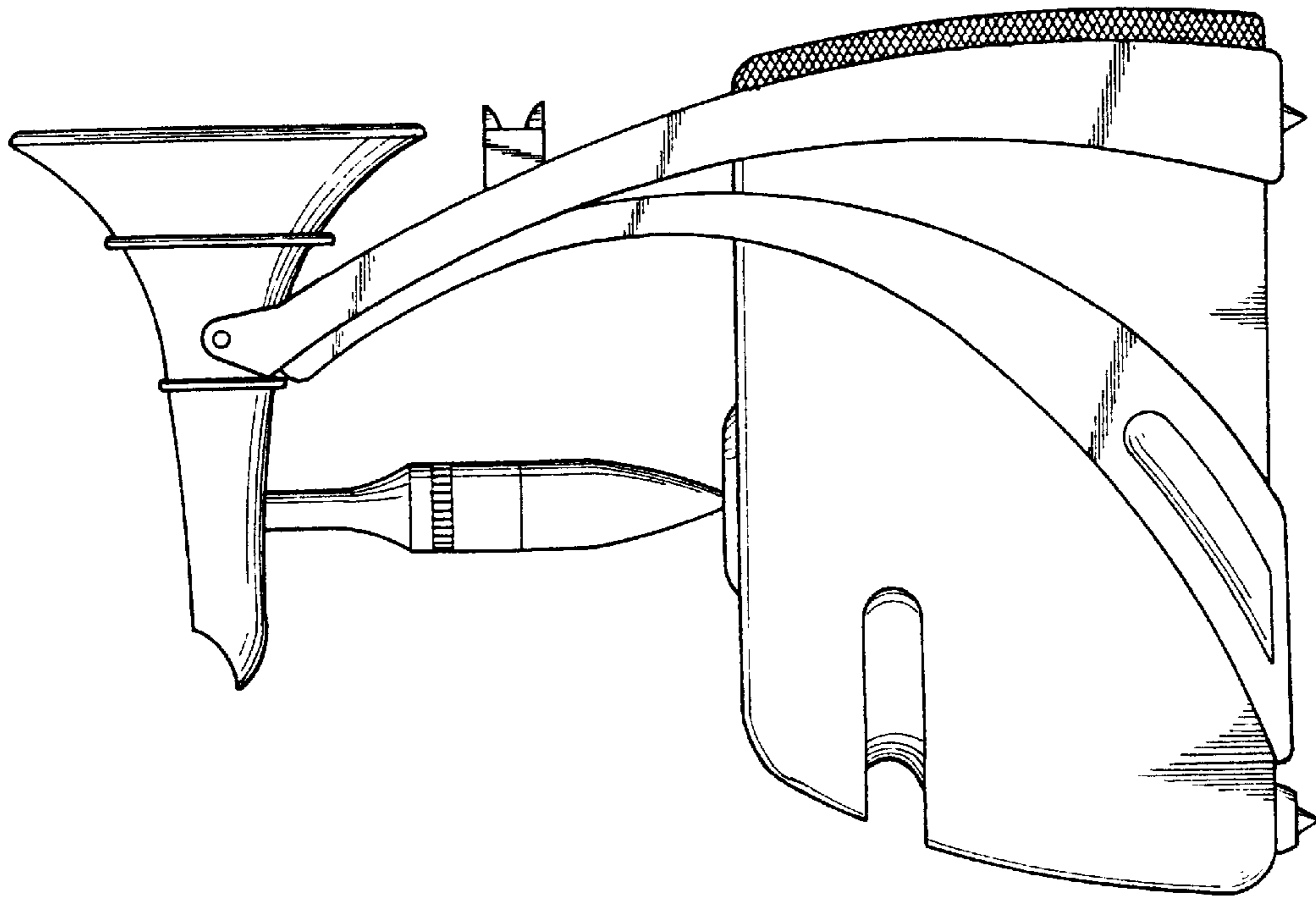


FIG. 4

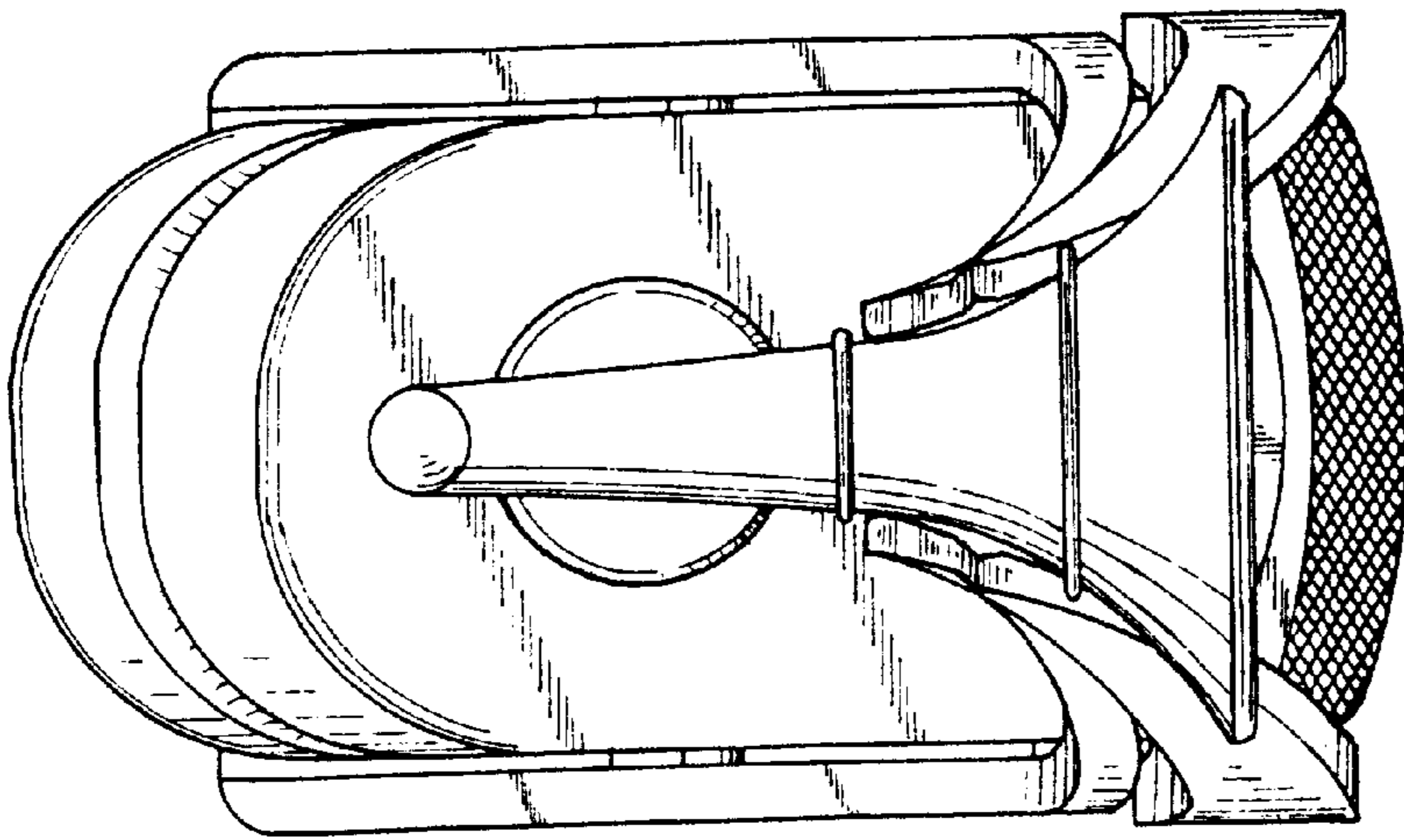


FIG. 6

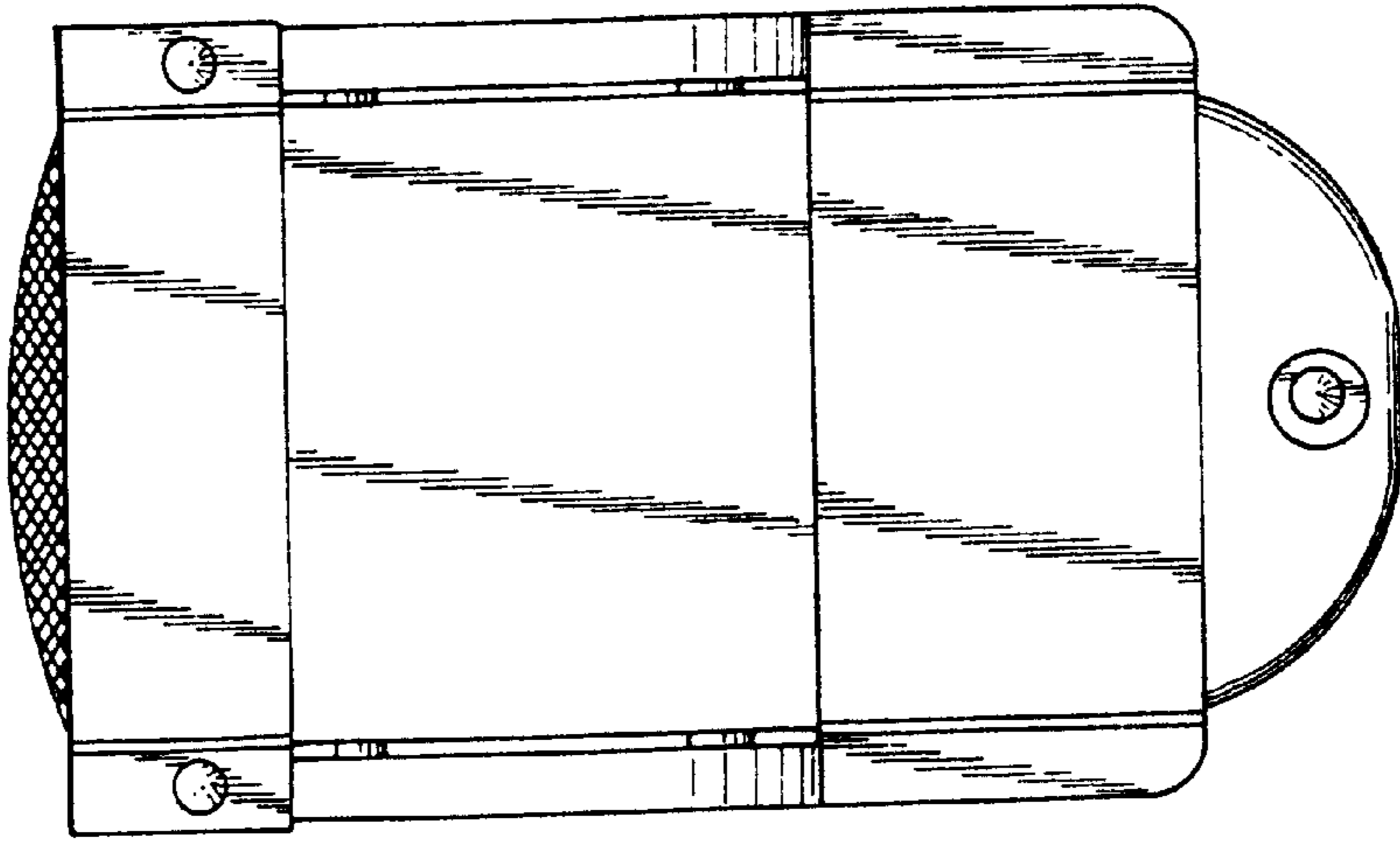


FIG. 7