



US00D436586S

(12) **United States Design Patent**
Wicks

(10) **Patent No.:** **US D436,586 S**

(45) **Date of Patent:** **** Jan. 23, 2001**

(54) **SIGNAL RECEIVER WITH MOUNTING**

(75) **Inventor:** **James E. Wicks, San Francisco, CA (US)**

(73) **Assignees:** **Sony Corporation, Tokyo (JP); Sony Electronics, Inc., Park Ridge, NJ (US)**

(**) **Term:** **14 Years**

(21) **Appl. No.:** **29/086,982**

(22) **Filed:** **Apr. 23, 1998**

(51) **LOC (7) Cl.** **14-03**

(52) **U.S. Cl.** **D14/191**

(58) **Field of Search** D8/380; D12/323;
D14/124, 188, 191, 192, 299; 248/204,
205, 215; 340/311.1; 455/38.1-38.4, 90,
92, 100, 128, 344

(56) **References Cited**

U.S. PATENT DOCUMENTS

D. 305,429 * 1/1990 Berkheij D14/191

D. 337,768 * 7/1993 Scheid D14/191

D. 344,948 * 3/1994 Scheid et al. D14/191

D. 374,232 * 10/1996 Suzuki et al. D14/191

* cited by examiner

Primary Examiner—Nanda Bondade

(74) *Attorney, Agent, or Firm*—Ronald P. Kananen;
Rader, Fishman & Grauer

(57) **CLAIM**

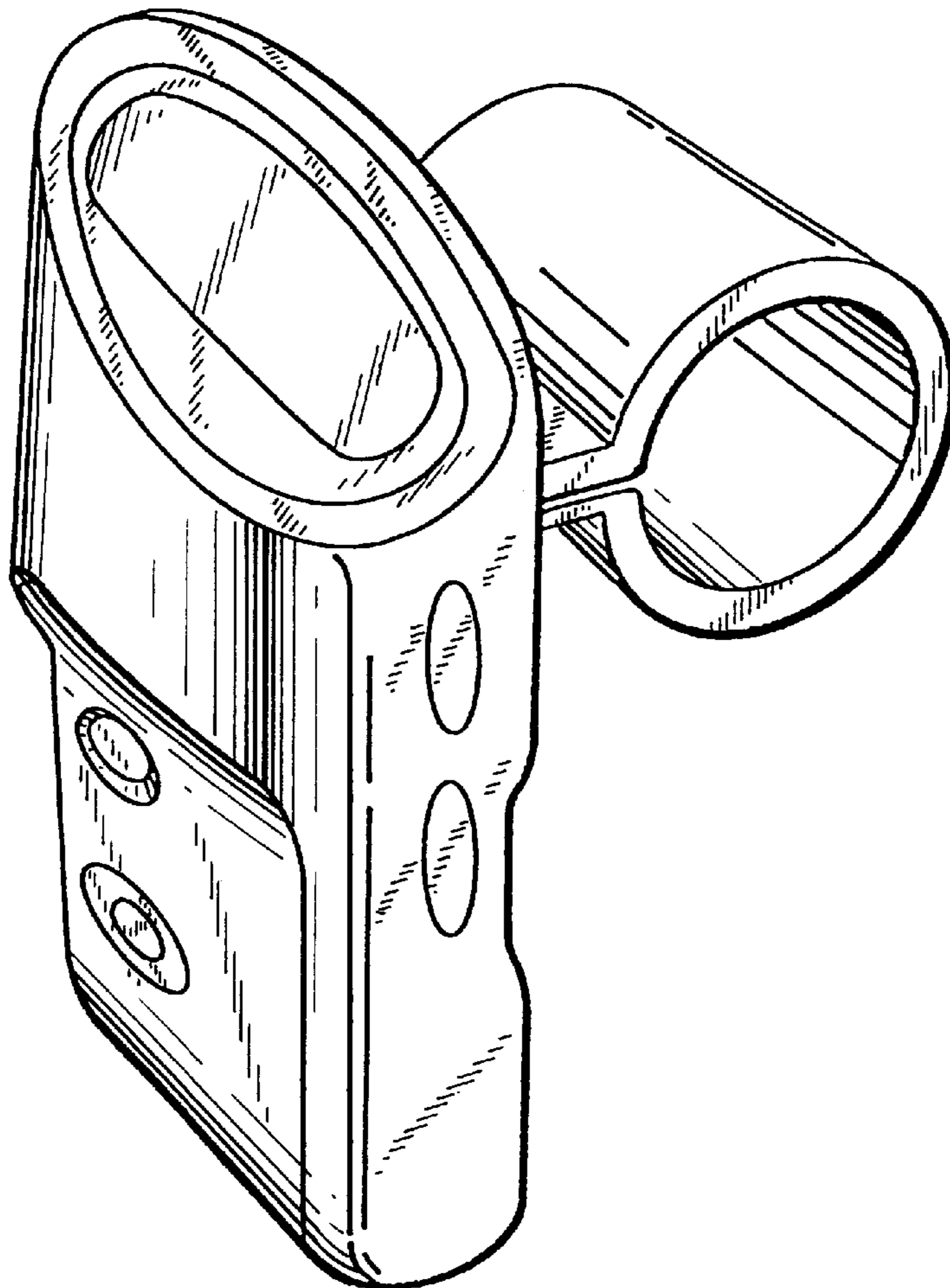
The ornamental design for a signal receiver with mounting, as shown and described.

DESCRIPTION

FIG. 1 is a front perspective view of a signal receiver with mounting showing my new design.

The views of the rear, bottom and side (opposite that shown) of the signal receiver with mounting form no part of the claimed design.

1 Claim, 1 Drawing Sheet



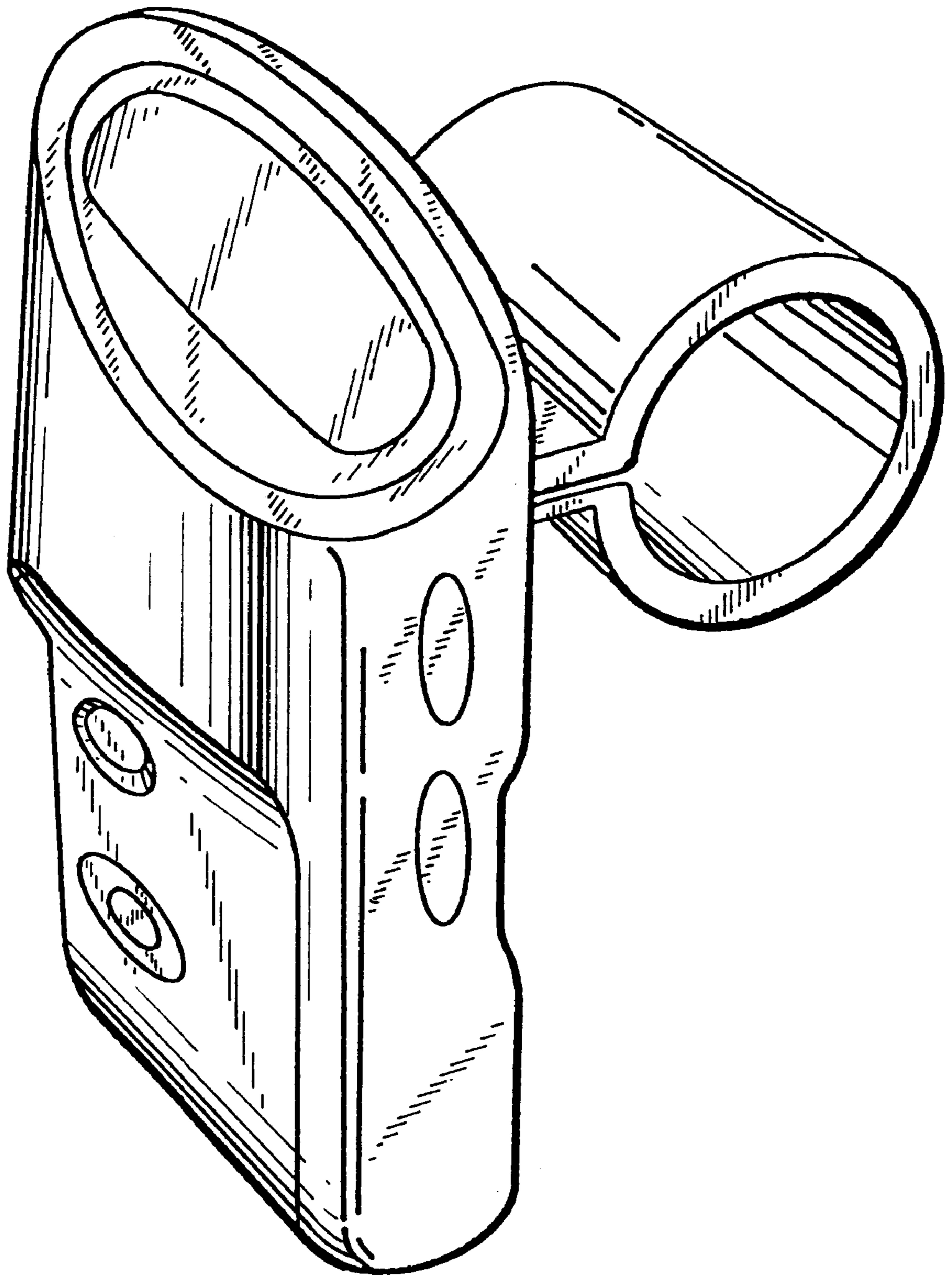


Fig. 1