



US00D436581S

(12) **United States Design Patent**
Oka

(10) **Patent No.:** **US D436,581 S**

(45) **Date of Patent:** **** Jan. 23, 2001**

(54) **VIDEO TAPE RECORDER**

(75) Inventor: **Hiroki Oka**, Tokyo (JP)

(73) Assignee: **Sony Corporation** (JP)

(**) Term: **14 Years**

(21) Appl. No.: **29/104,660**

(22) Filed: **May 10, 1999**

(30) **Foreign Application Priority Data**

Nov. 10, 1998 (JP) 10-32267

(51) **LOC (7) Cl.** **14-01**

(52) **U.S. Cl.** **D14/135**

(58) **Field of Search** D14/124, 125,
D14/135, 136, 156, 157, 160; 455/345,
348, 351; 386/46; 369/75.1

(56) **References Cited**

U.S. PATENT DOCUMENTS

D. 321,189 * 10/1991 Ito et al. D14/156

D. 371,358 * 7/1996 Yamagishi et al. D14/136

OTHER PUBLICATIONS

Sony Catalog, "Video Equipment 1998", Sony, p. 67, (Jan. 1998).

Sony Catalog, "Broadcast/Production System General Catalog 1999", Sony, pp. 48, 84, and 96, (1998).

* cited by examiner

Primary Examiner—Richelle Shelton

(74) *Attorney, Agent, or Firm*—Rader, Fishman & Grauer

(57) **CLAIM**

The ornamental design for a video tape recorder, as shown and described.

DESCRIPTION

FIG. 1 is a perspective view of a video tape recorder showing my new design;

FIG. 2 is a top plan view thereof;

FIG. 3 is a bottom plan view thereof;

FIG. 4 is a left side elevational view thereof;

FIG. 5 is a right side elevational view thereof;

FIG. 6 is a front elevational view thereof; and,

FIG. 7 is a rear elevational view thereof.

1 Claim, 4 Drawing Sheets

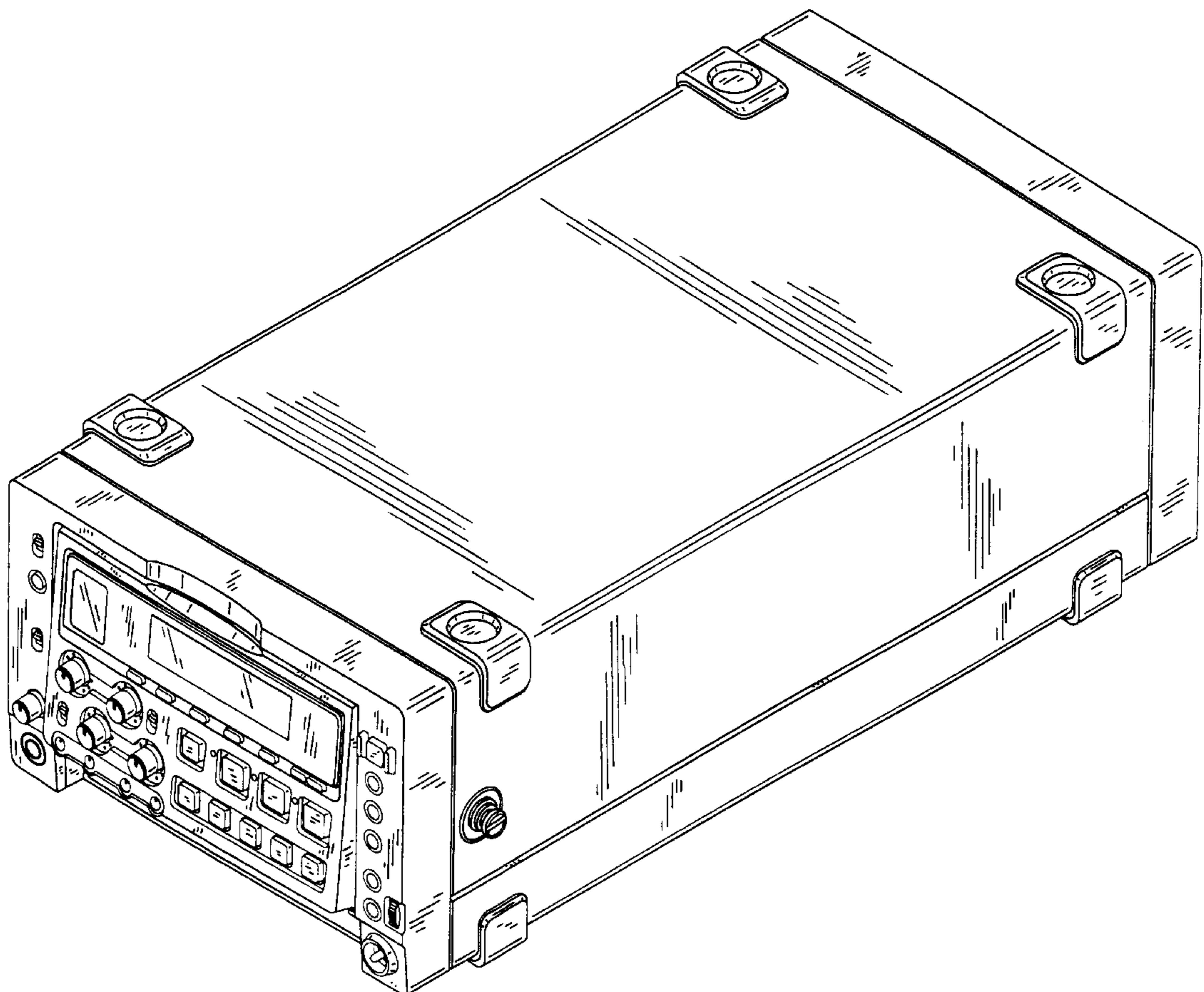


FIG. 1

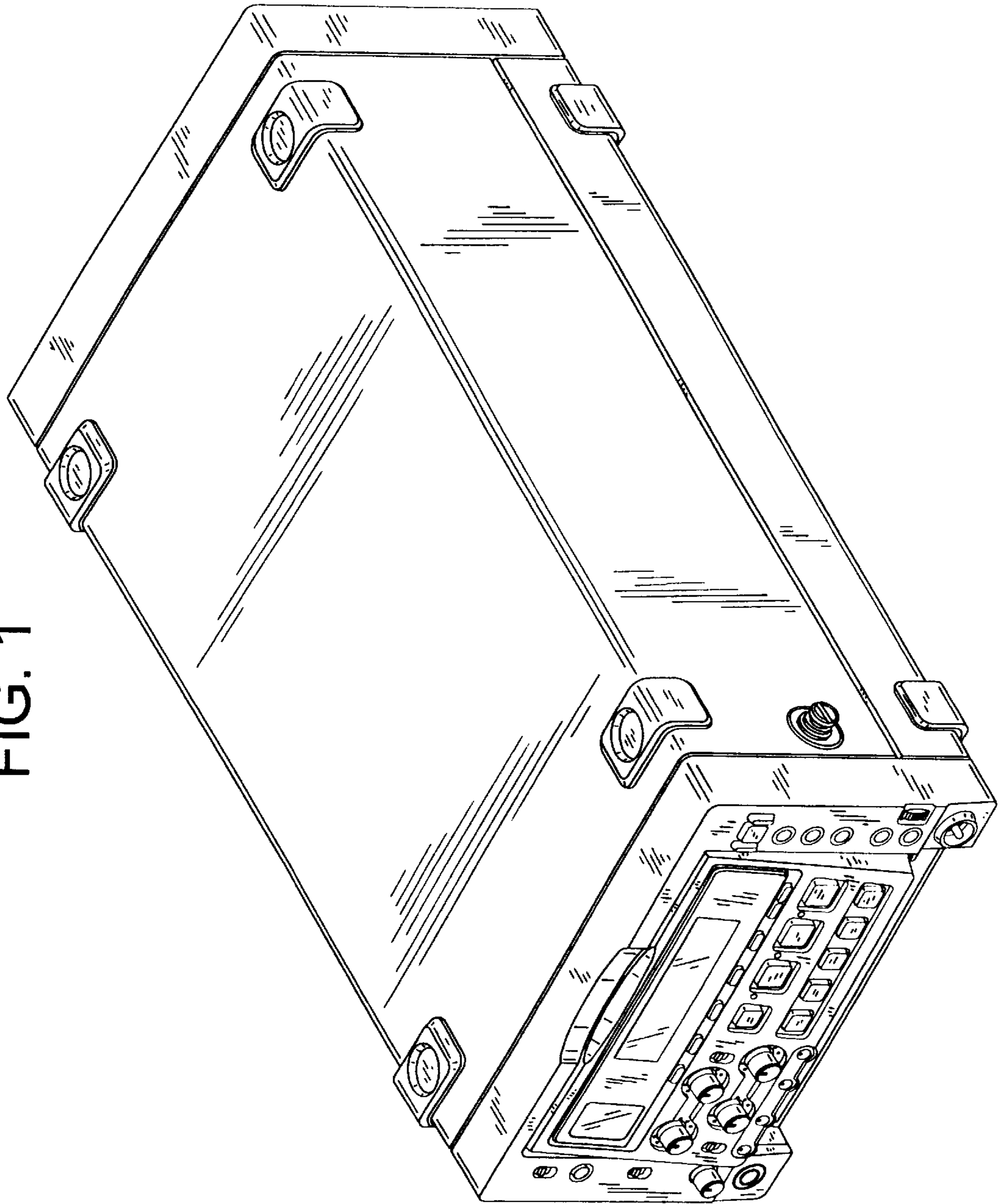


FIG. 2

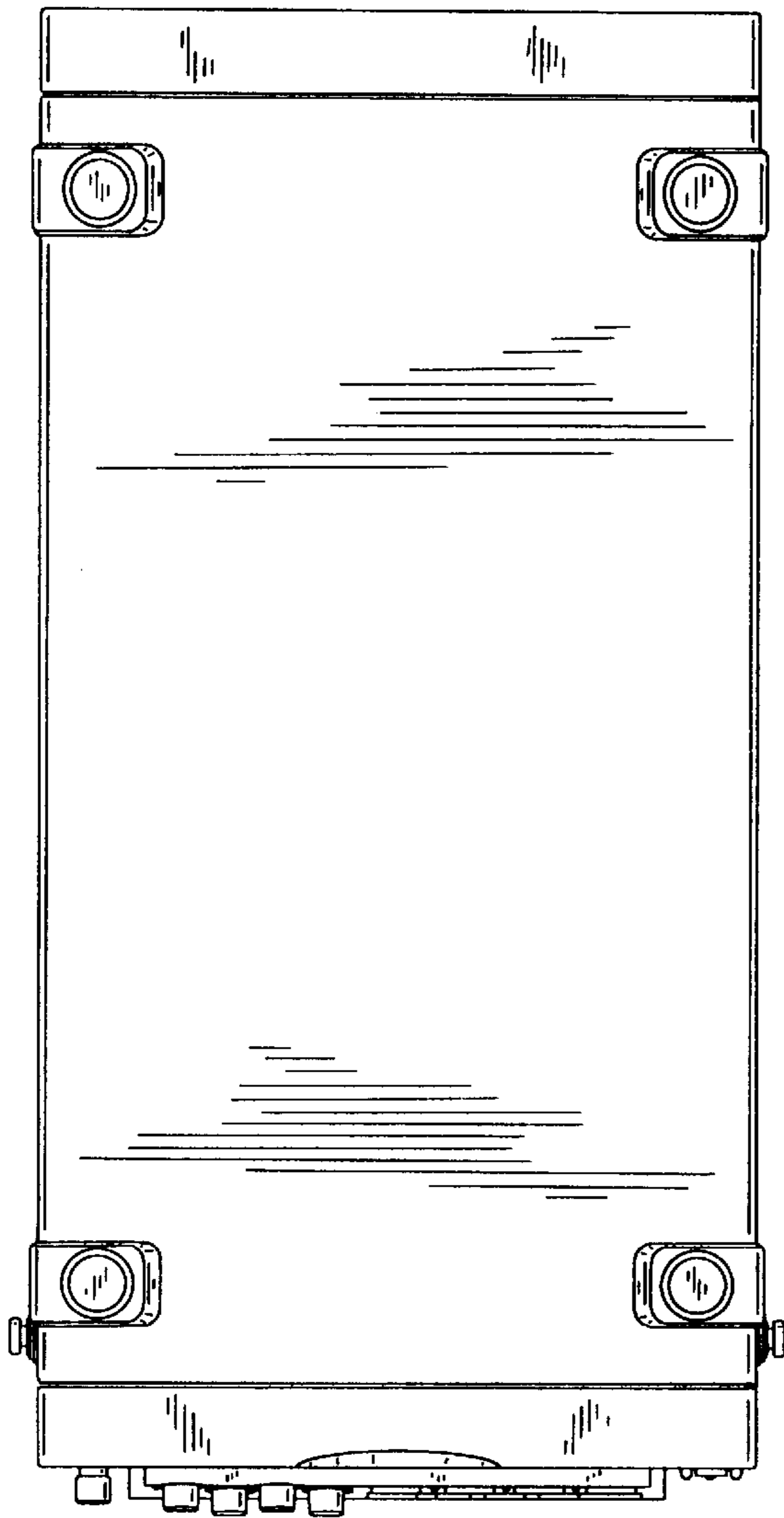


FIG. 3

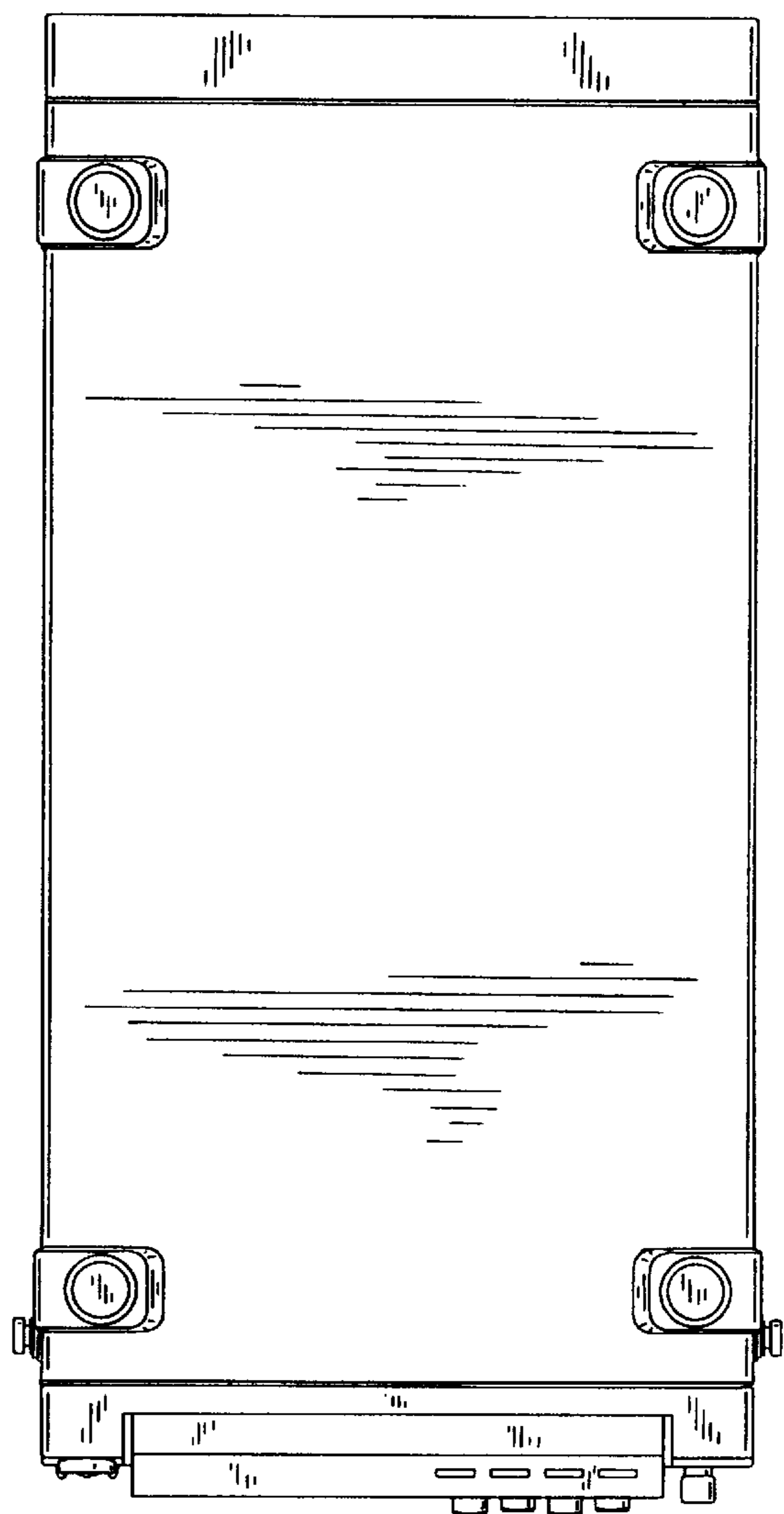


FIG. 4

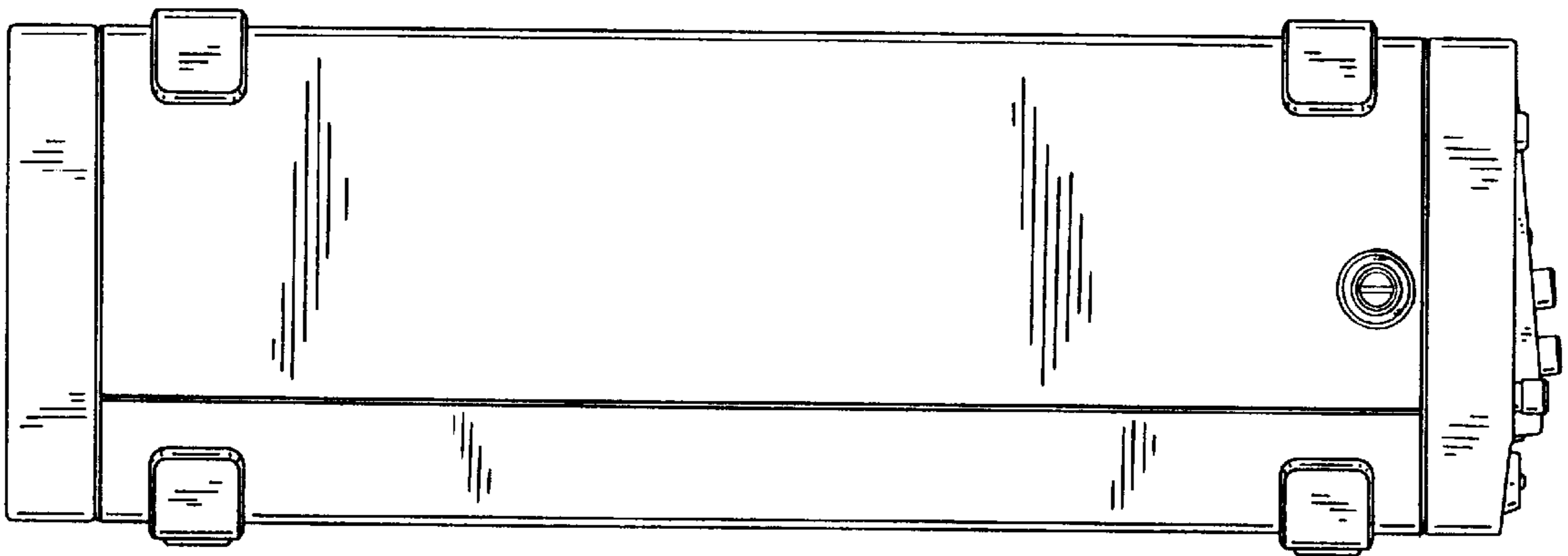


FIG. 5

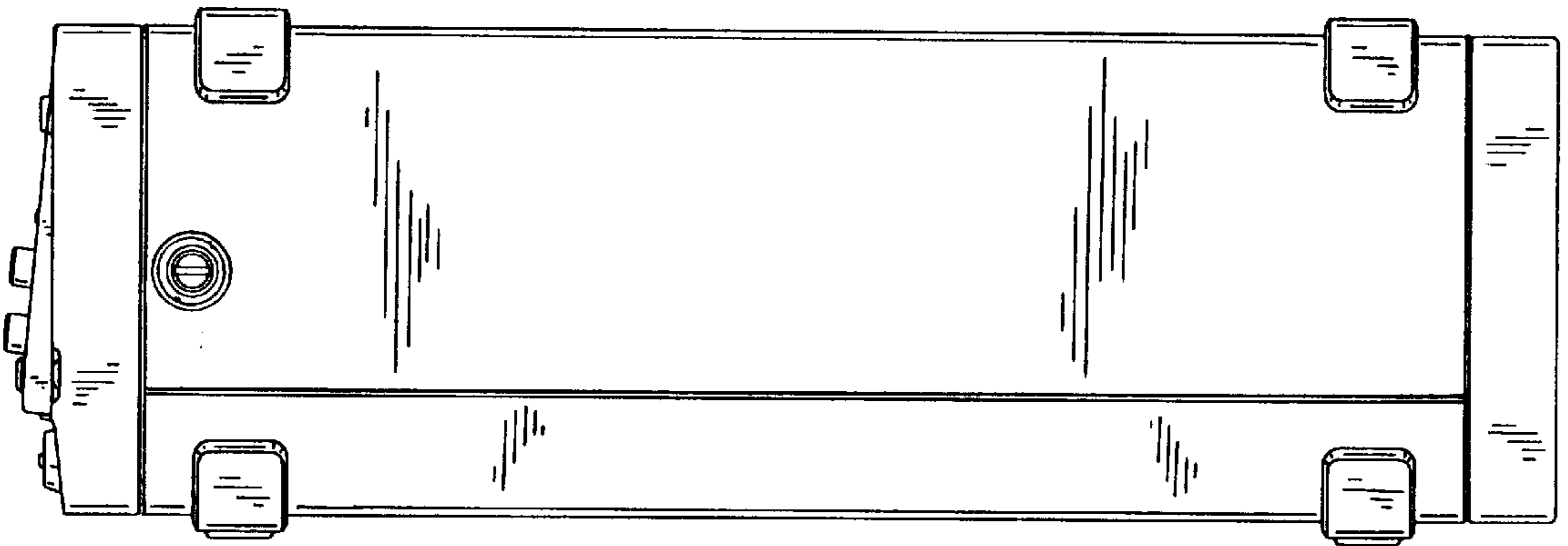


FIG. 7

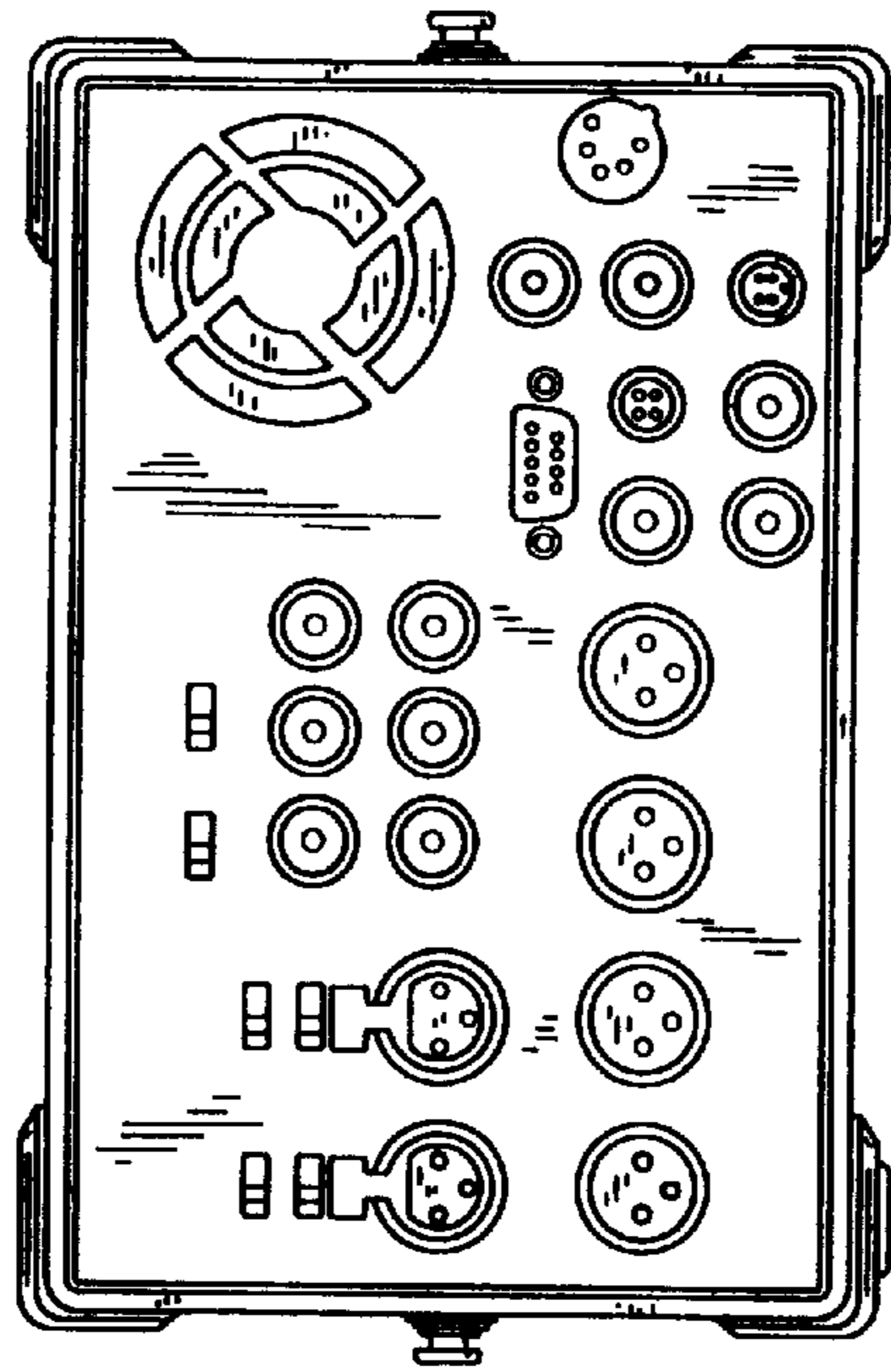


FIG. 6

