



US00D436576S

(12) **United States Design Patent**
Herrmann et al.

(10) **Patent No.:** **US D436,576 S**

(45) **Date of Patent:** **** Jan. 23, 2001**

(54) **DESKTOP BATTERY CHARGER**

(75) Inventors: **John Edward Herrmann,**
Lawrenceville; **Willard Francis Amero,**
Jr., Flowery Branch; **Grant Harries**
Lloyd; **James Lee Blackwell, Jr.,** both
of Lawrenceville, all of GA (US)

(73) Assignee: **Motorola, Inc.,** Schaumburg, IL (US)

(**) Term: **14 Years**

(21) Appl. No.: **29/105,695**

(22) Filed: **May 27, 1999**

(51) **LOC (7) Cl.** **13-02**

(52) **U.S. Cl.** **D13/107; D13/108**

(58) **Field of Search** **D13/107, 108,**
D13/118; D14/251, 253; 320/110-115

(56) **References Cited**

U.S. PATENT DOCUMENTS

D. 358,364 * 5/1995 Siddoway D13/108

D. 368,892 * 4/1996 Tanaka D13/108

D. 380,729 * 7/1997 Richards et al. D13/108

D. 413,097 * 8/1999 Chang D13/107

* cited by examiner

Primary Examiner—Joel Sincavage

(74) *Attorney, Agent, or Firm*—Felipe J. Farley; Phillip
Burrus

(57) **CLAIM**

The ornamental design for a desktop battery charger, as
shown and described.

DESCRIPTION

FIG. 1 is a front elevation view of a desktop battery charger
showing my/our new design;

FIG. 2 is a back elevation view thereof

FIG. 3 is a top plan view thereof.

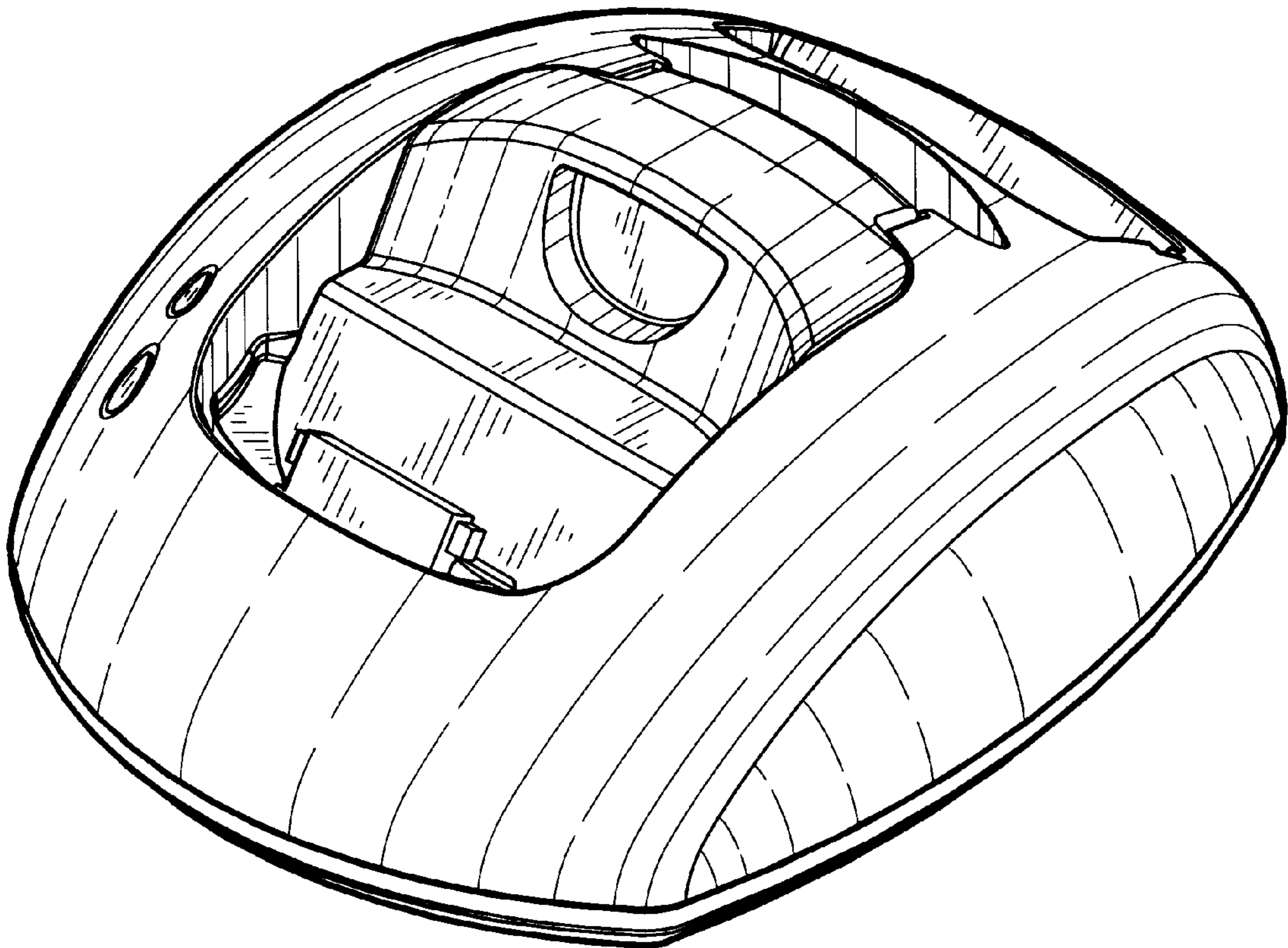
FIG. 4 is a bottom plan view thereof;

FIG. 5 is a right side elevation view thereof;

FIG. 6 is a left side elevation view thereof; and,

FIG. 7 is a front right isometric view thereof.

1 Claim, 4 Drawing Sheets



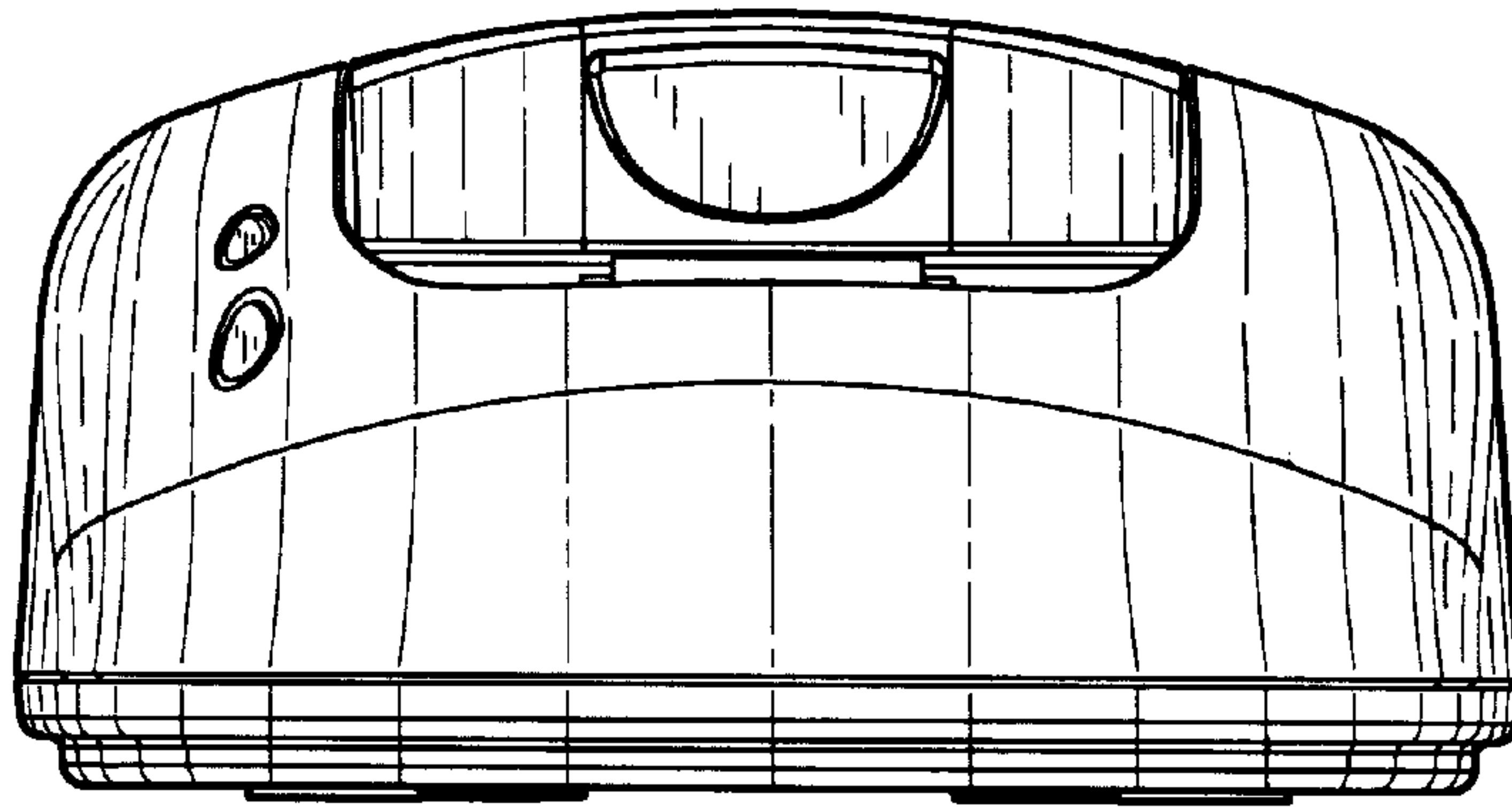


FIG. 1

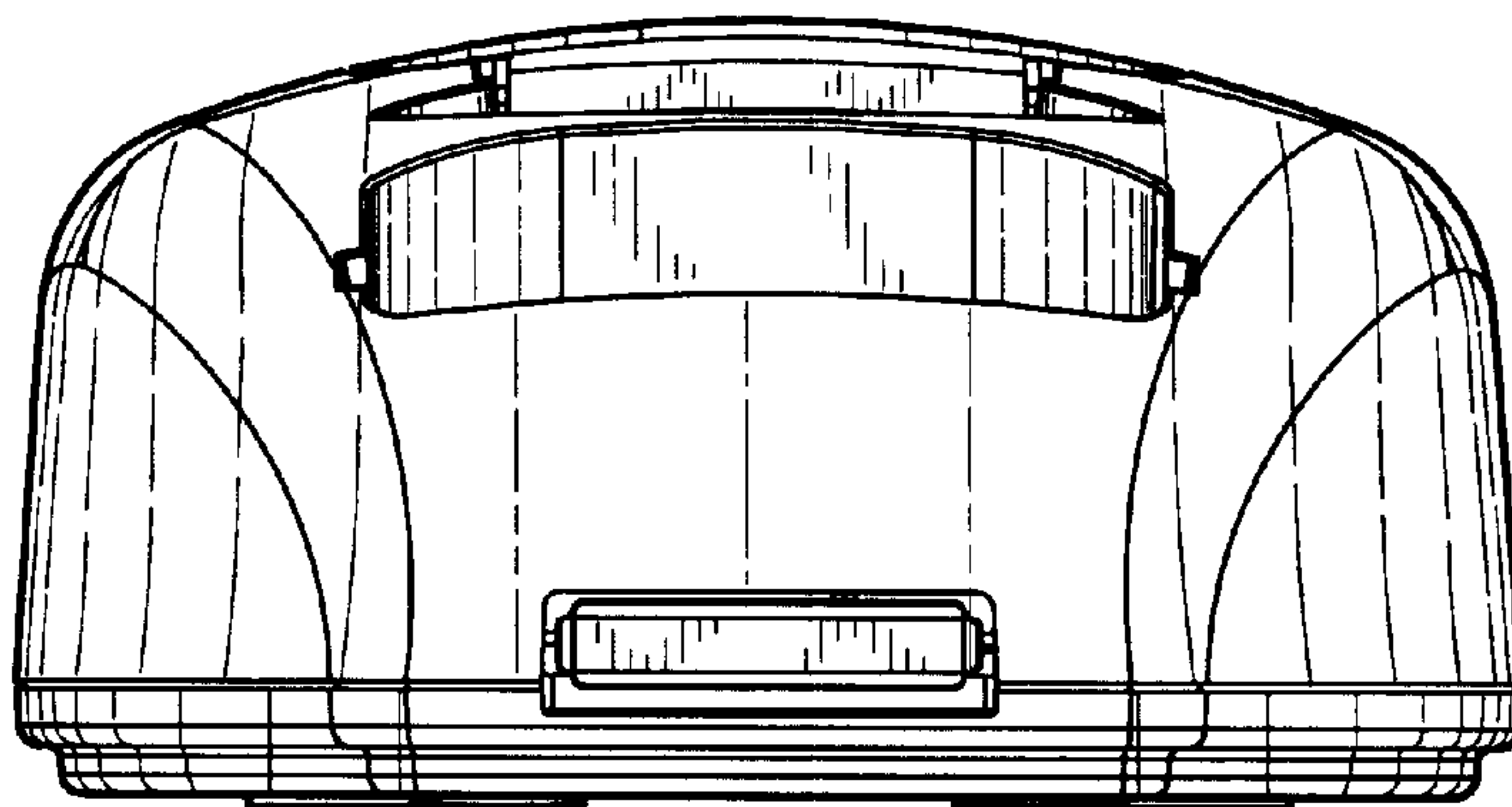


FIG. 2

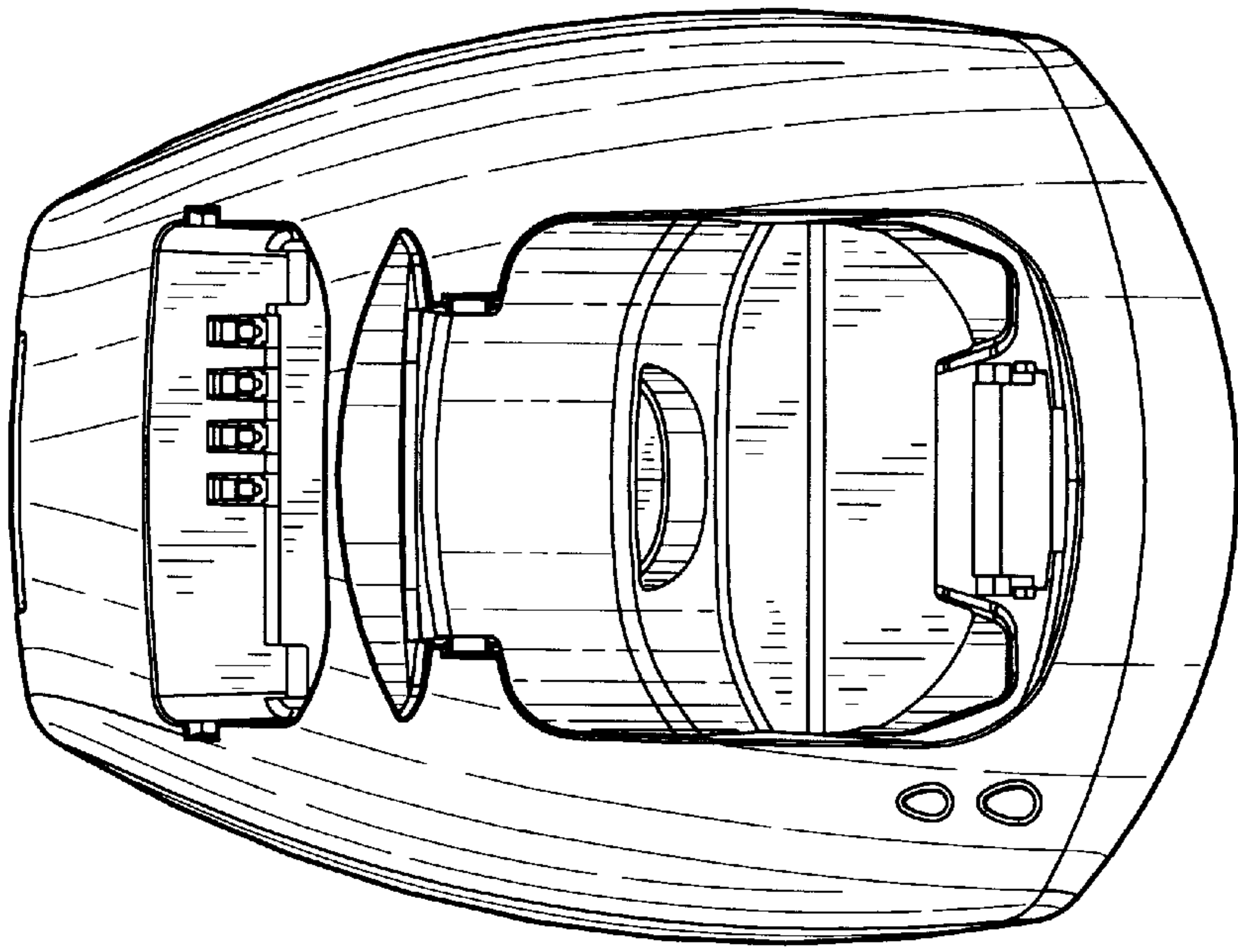


FIG. 3

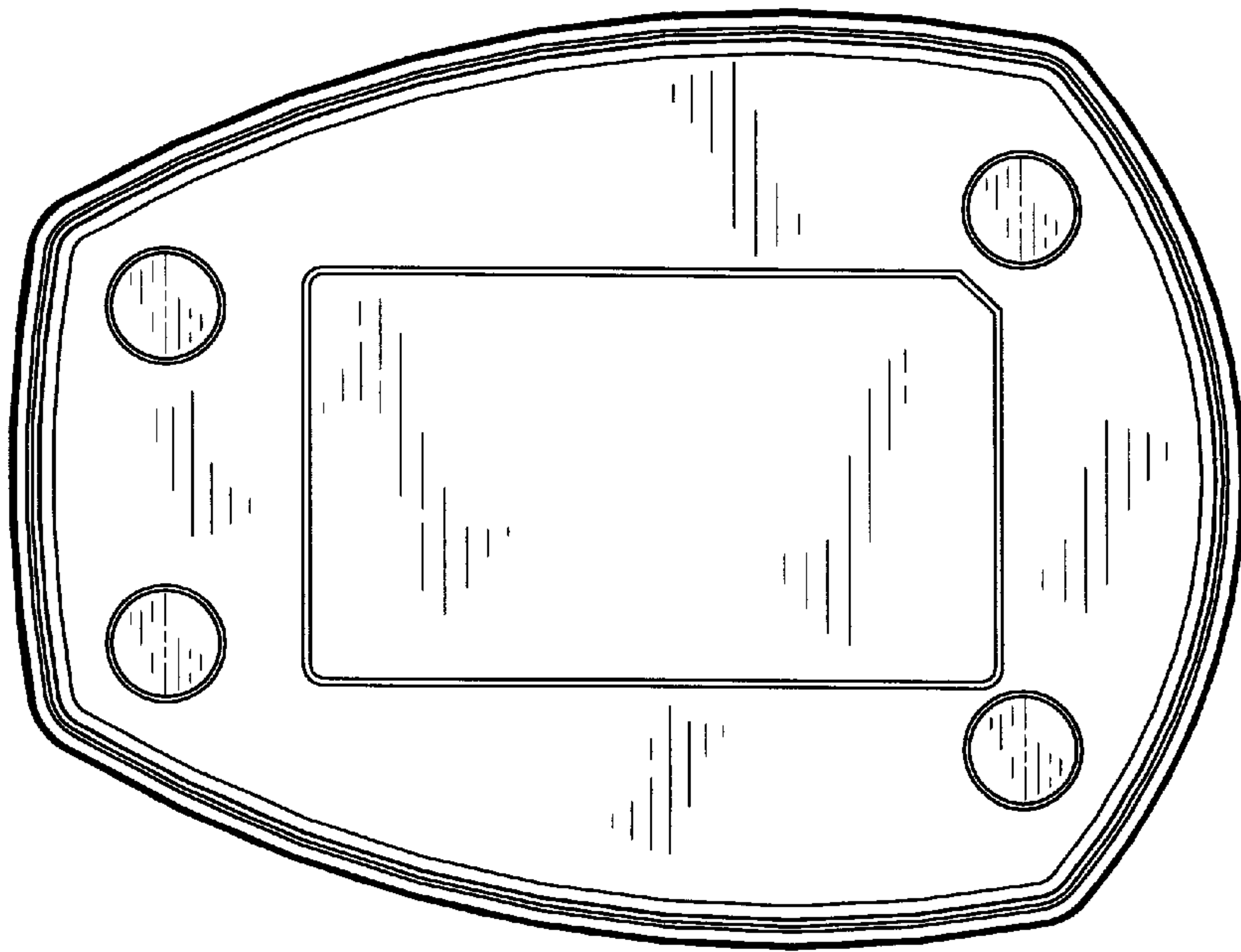


FIG. 4

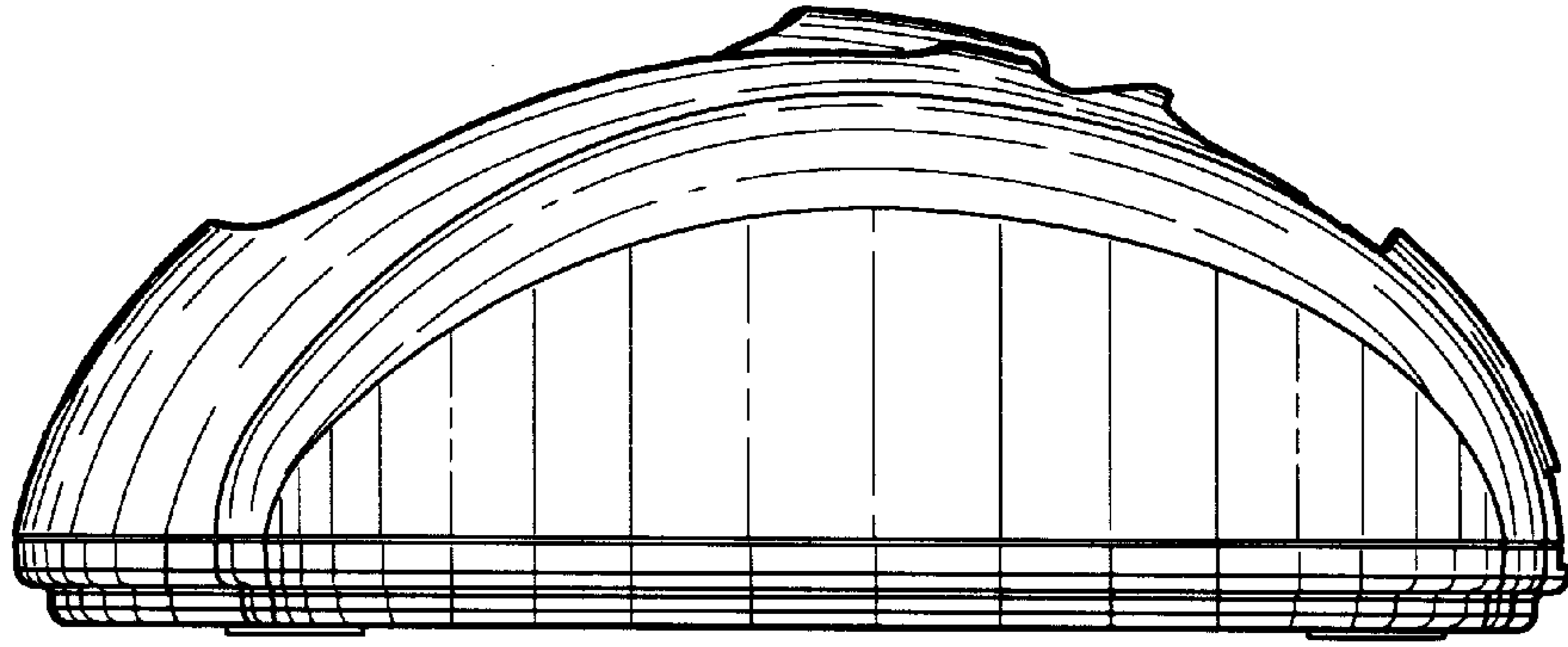


FIG. 5

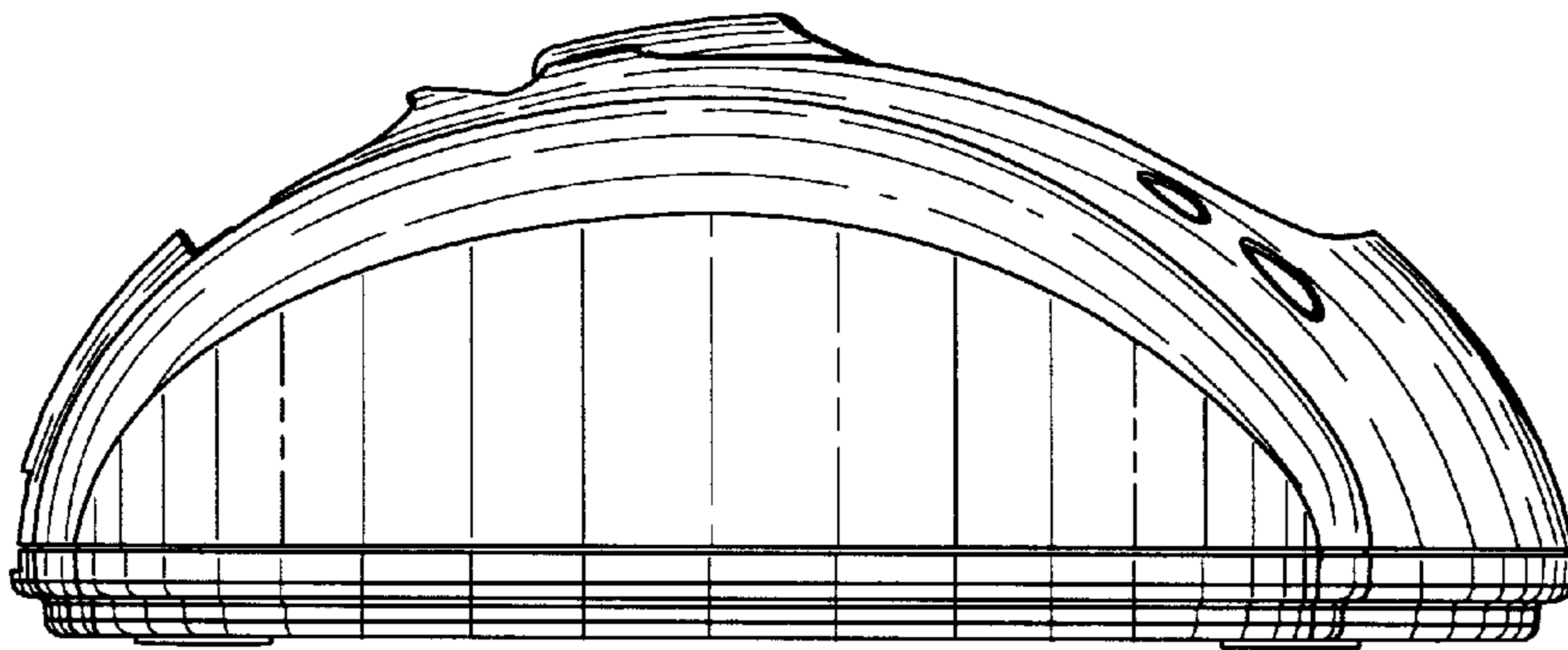


FIG. 6

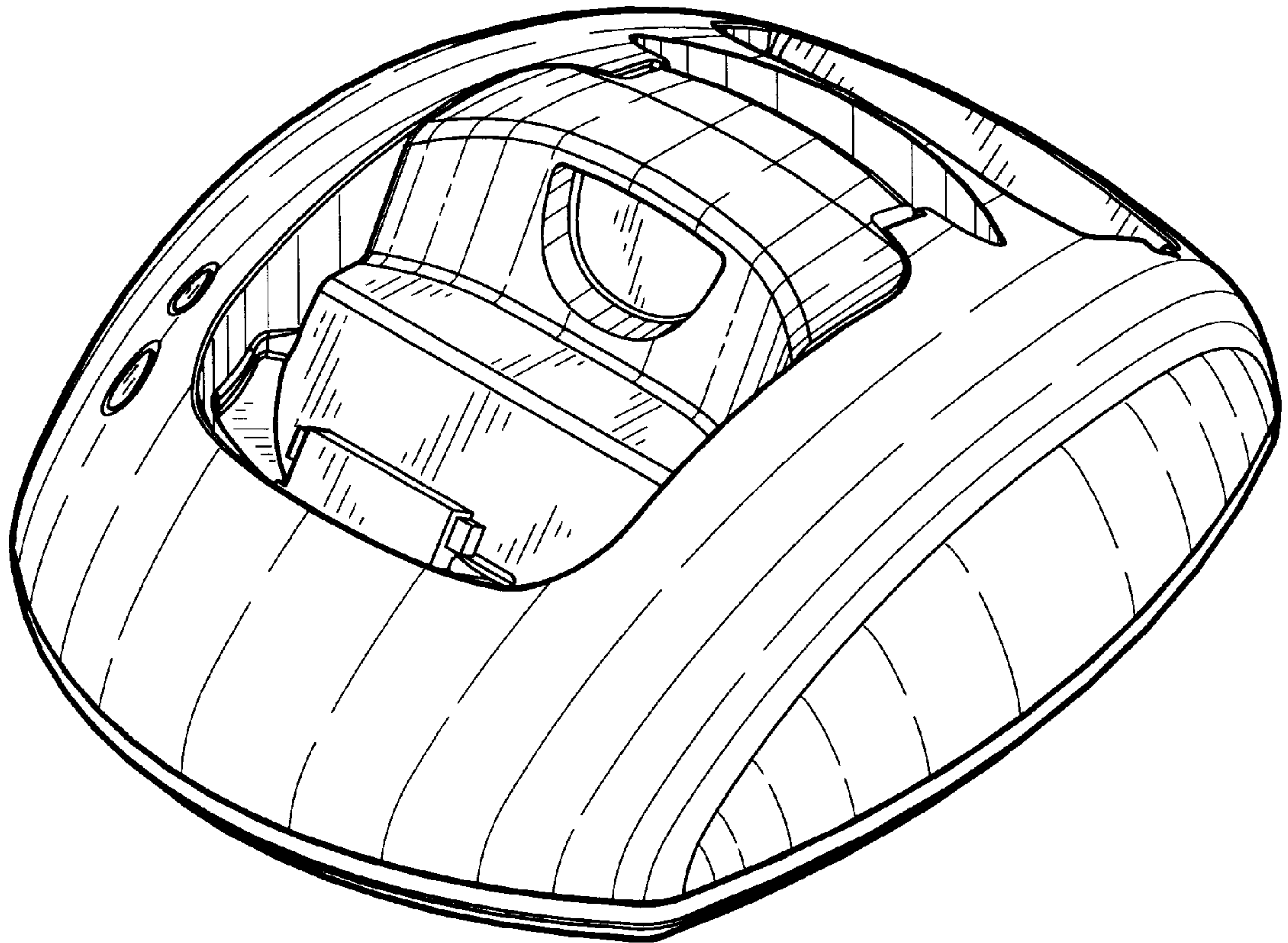


FIG. 7