



US00D436575S

(12) **United States Design Patent**
McCoy et al.

(10) **Patent No.:** **US D436,575 S**

(45) **Date of Patent:** **** Jan. 23, 2001**

(54) **HITCH MOUNTABLE CARGO CARRIER**

(75) Inventors: **Richard W. McCoy**, Granger;
Katherine A. Adams, Mishawaka;
Thomas W. Lindenman, South Bend,
all of IN (US)

(73) Assignee: **Reese Products, Inc.**, Elkhart, IN (US)

(**) Term: **14 Years**

(21) Appl. No.: **29/113,161**

(22) Filed: **Oct. 29, 1999**

3,913,811	*	10/1975	Spencer	224/42.08
4,057,125	*	11/1977	Kroft	280/166 X
4,089,276	*	5/1978	Enos	108/44
4,234,284	*	11/1980	Hauff	224/42.44 X
4,274,648	*	6/1981	Robins	280/166
4,394,947	*	7/1983	Tartaglia	224/42.43
4,744,590	*	5/1988	Chesney	280/769
4,813,584	*	3/1989	Wiley	224/42.44
4,906,015	*	3/1990	Lacroix et al.	280/415.1
5,215,234	*	6/1993	Pasley	224/42.43
5,368,209	*	11/1994	Hill	224/42.44
5,570,826	*	11/1996	Garbes et al.	224/524
5,676,292	*	10/1997	Miller	224/524
5,853,278	*	12/1998	Frantz	224/504 X

* cited by examiner

Related U.S. Application Data

(63) Continuation-in-part of application No. 29/110,732, filed on Sep. 10, 1999.

(51) **LOC (7) Cl.** **12-16**

(52) **U.S. Cl.** **D12/406**

(58) **Field of Search** D12/162, 172,
D12/203, 400, 406, 408-414.1; D3/23,
38; 224/504-505, 518-519, 521-526, 528-536,
42.43-42.44, 42.07-42.08; 280/163, 166,
30, 639, 769, 491.2, 415.1, 47.34; 296/37.1,
37.2; 108/129-132, 152, 44; 182/90-92,
206

Primary Examiner—Stacia Cadmus

(74) *Attorney, Agent, or Firm*—Leon E. Redman; Lloyd D. Doigan

(57) **CLAIM**

The ornamental design for a hitch mountable cargo carrier, as shown and described.

DESCRIPTION

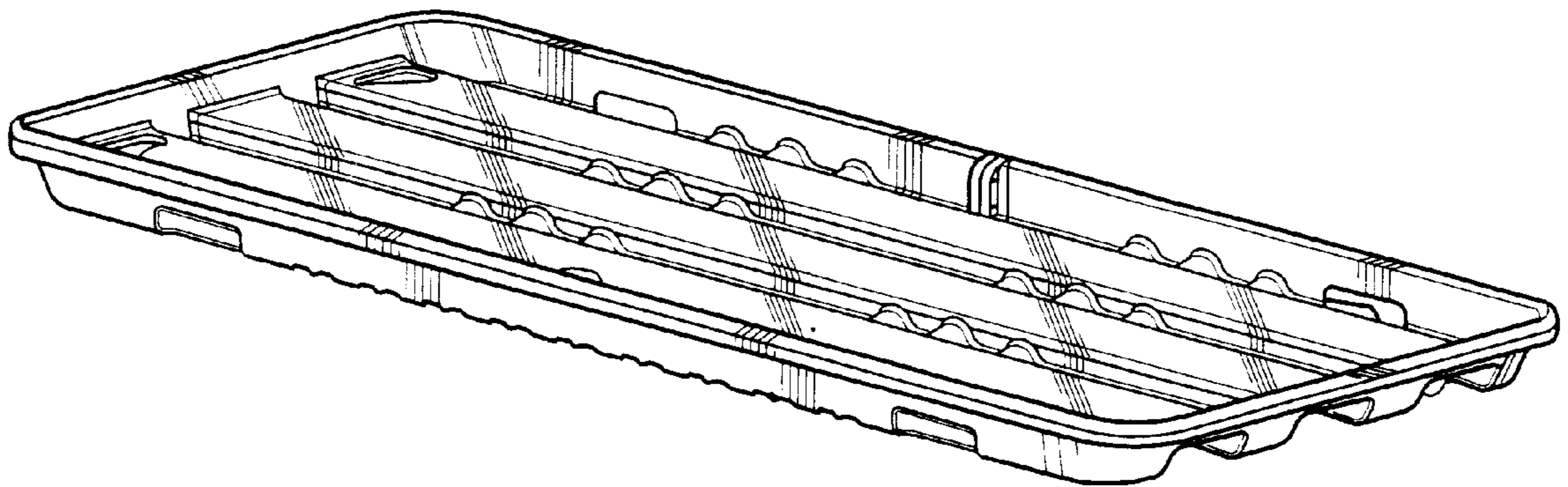
FIG. 1 is a perspective view of the hitch mountable cargo carrier showing our new design;
FIG. 2 is an enlarged top plan view thereof;
FIG. 3 is an enlarged rear elevational view thereof;
FIG. 4 is an enlarged bottom plan view thereof;
FIG. 5 is an enlarged left side elevational view thereof, the right side being a mirror image of the left shown; and,
FIG. 6 is an enlarged front elevational view thereof.

(56) **References Cited**

U.S. PATENT DOCUMENTS

D. 305,632	*	1/1990	Kraklio	D12/400
D. 356,200	*	3/1995	Kern et al.	D34/38 X
D. 370,452	*	6/1996	Beasley	D12/203
D. 398,434	*	9/1998	Agtuca	D34/38 X

1 Claim, 2 Drawing Sheets



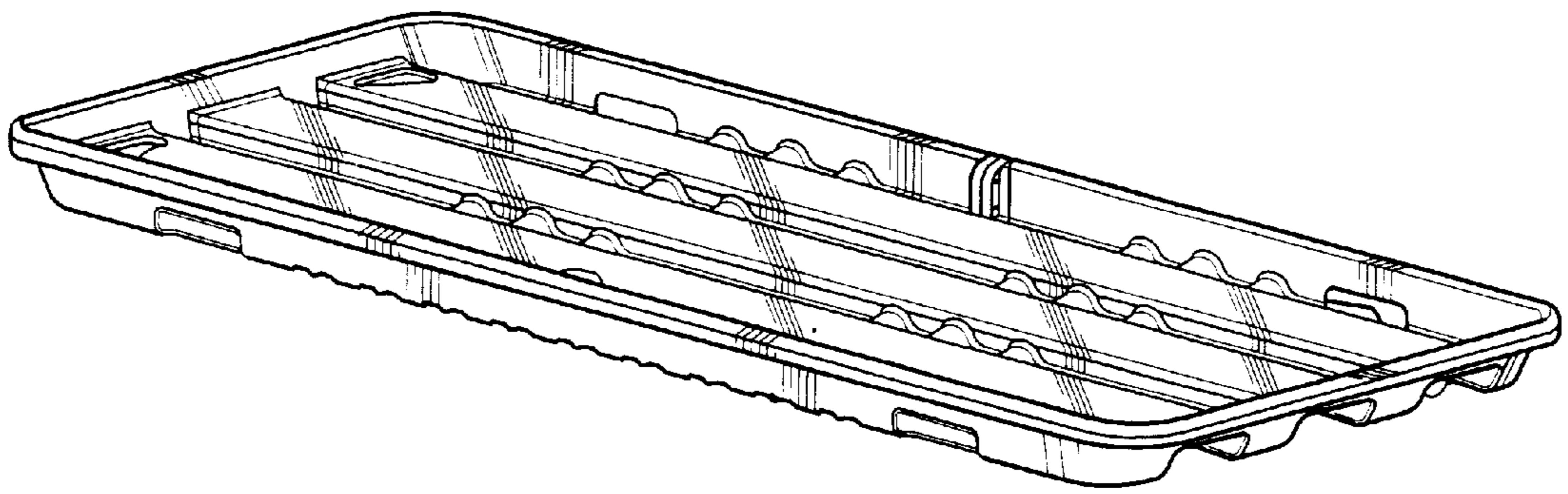


Fig-1

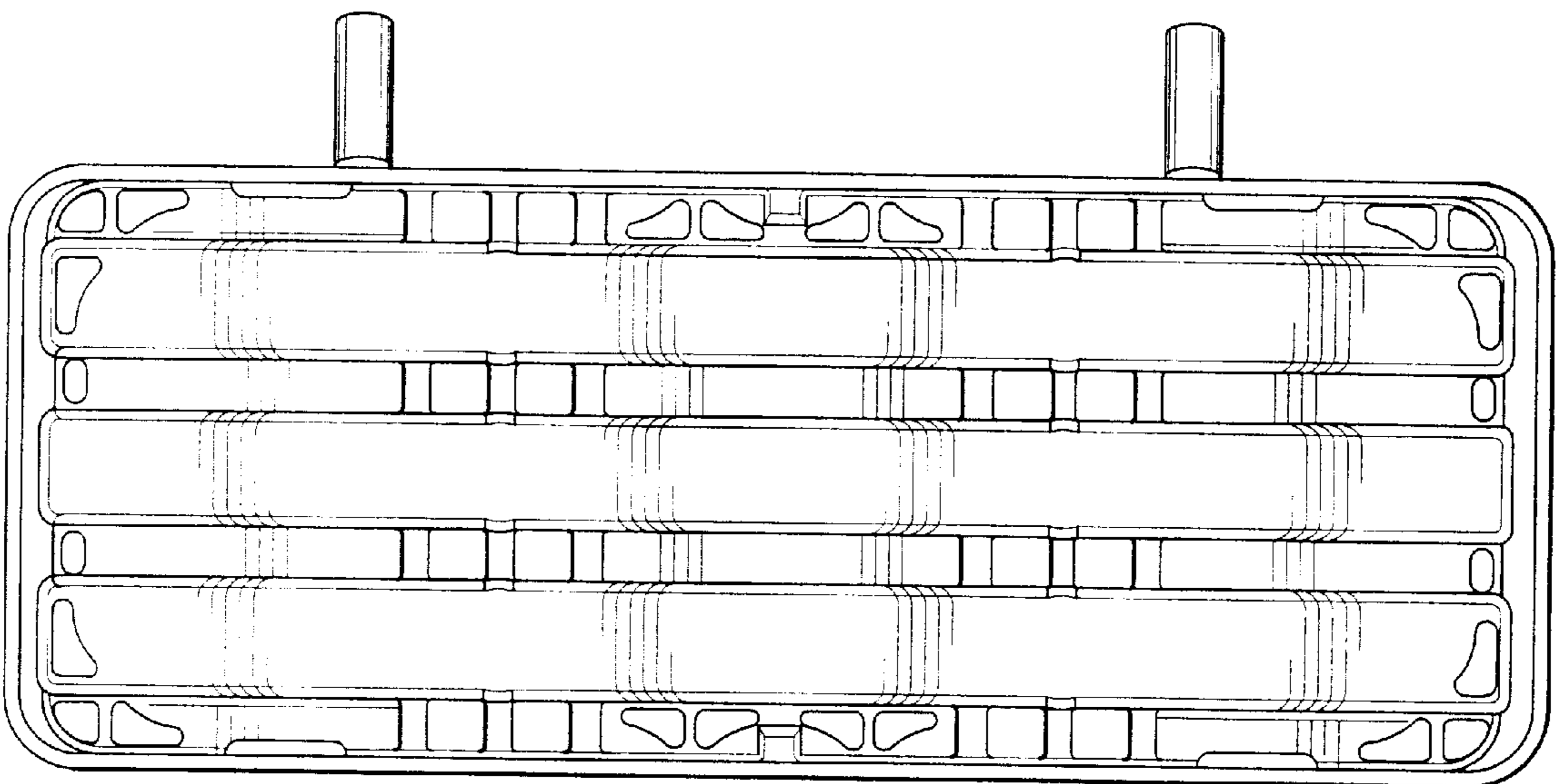


Fig-2

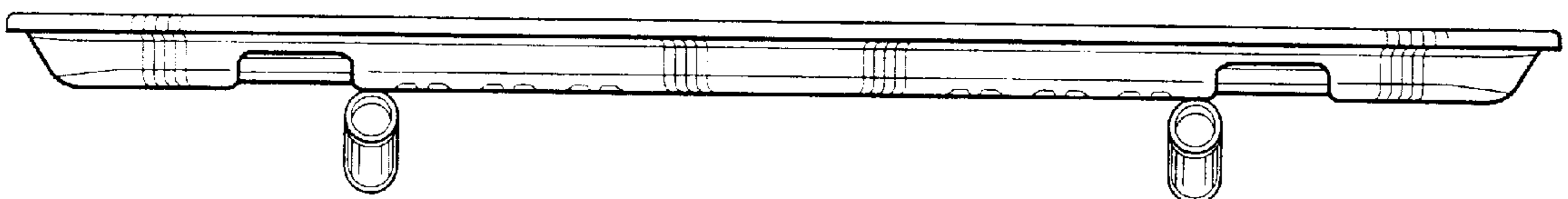


Fig-3

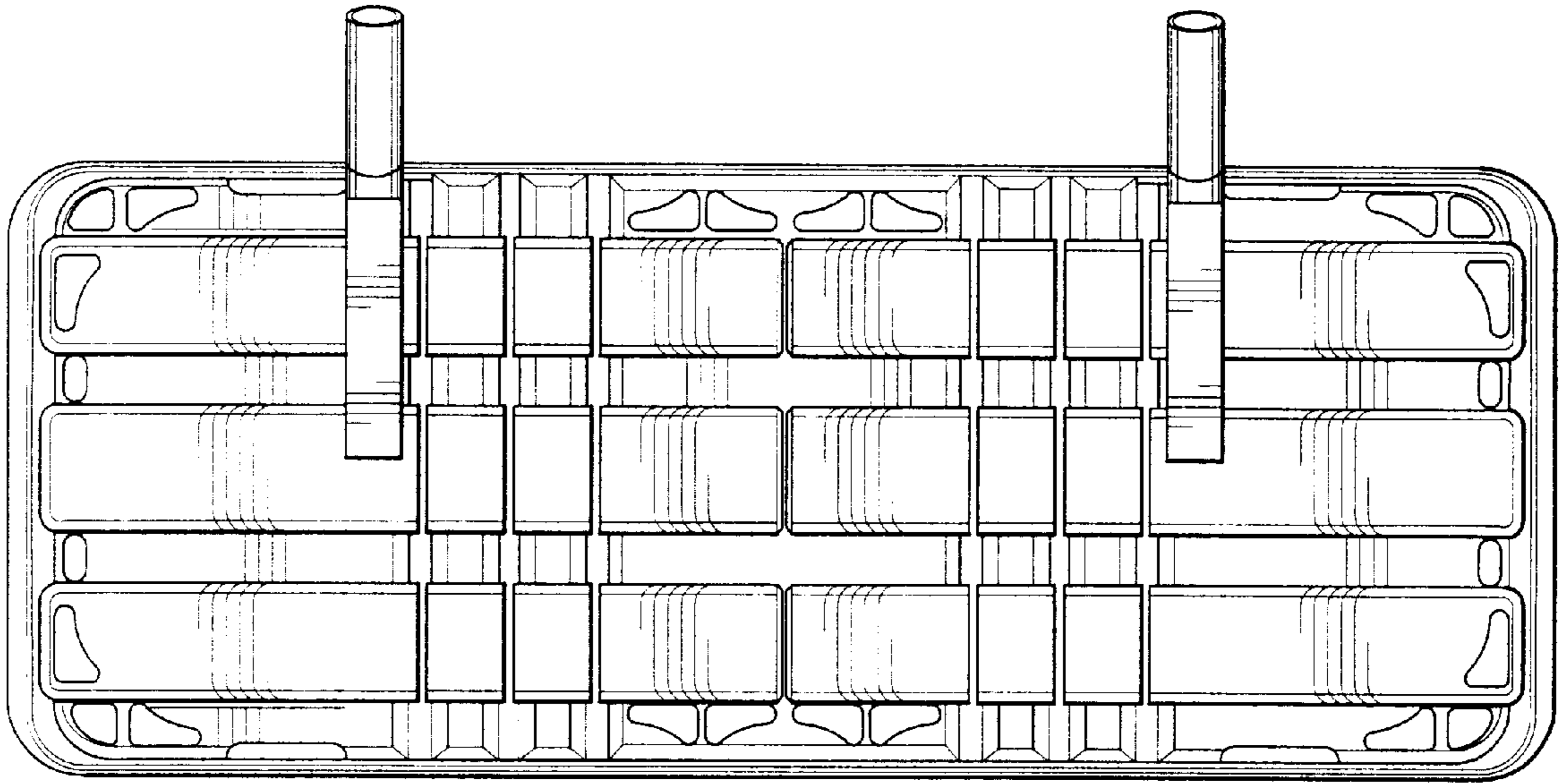


Fig-4

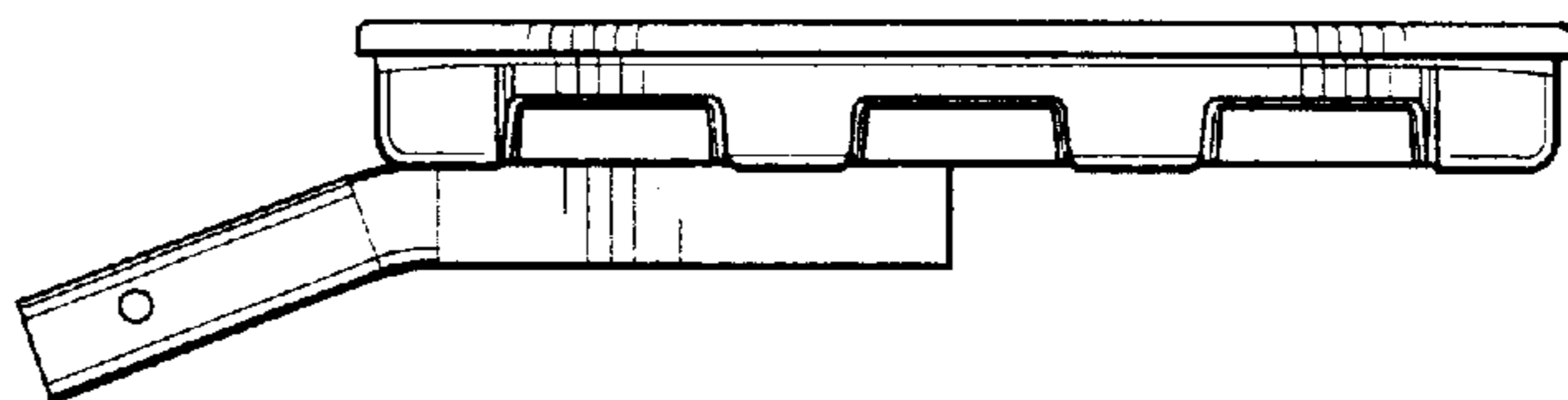


Fig-5

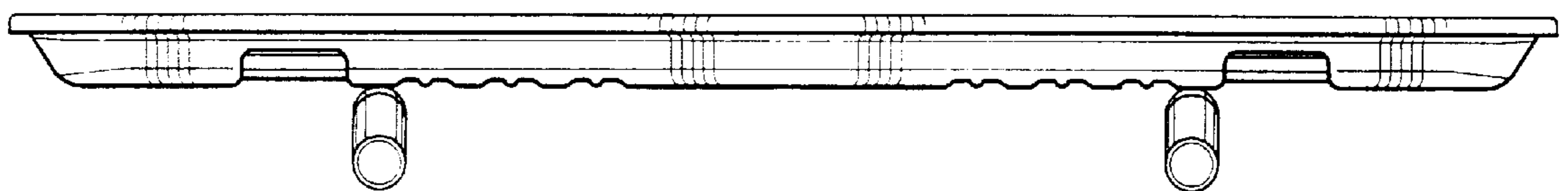


Fig-6