



US00D436574S

(12) **United States Design Patent**  
**Tunstill**

(10) **Patent No.:** **US D436,574 S**

(45) **Date of Patent:** **\*\* Jan. 23, 2001**

(54) **WHEEL RIM**

(76) **Inventor:** **Stephen L. Tunstill**, 3679 Wingate Ct., Indianapolis, IN (US) 46235

(\*\*) **Term:** **14 Years**

(21) **Appl. No.:** **29/126,369**

(22) **Filed:** **Jul. 13, 2000**

(51) **LOC (7) Cl.** ..... **12-16**

(52) **U.S. Cl.** ..... **D12/211**

(58) **Field of Search** ..... **D12/204-211;**  
**301/37.1, 64.1, 65**

(56) **References Cited**

**U.S. PATENT DOCUMENTS**

D. 230,726	*	3/1974	Cravits	.....	D12/211
D. 256,456	*	8/1980	Blanchard	.....	D12/211
D. 267,563	*	1/1983	Hayashi	.....	D12/211
D. 286,869	*	11/1986	Hedlund	.....	D12/211
D. 403,291	*	12/1998	Cullen	.....	D12/211
D. 403,649	*	1/1999	Moreno	.....	D12/211
D. 408,778	*	4/1999	Neeper	.....	D12/211
D. 413,852	*	9/1999	Cullen	.....	D12/209
D. 423,442	*	4/2000	Hussaini et al.	.....	D12/209
D. 423,445	*	4/2000	Baumgartner	.....	D12/211
D. 428,594	*	7/2000	Neeper	.....	D12/209

\* cited by examiner

*Primary Examiner*—Stacia Cadmus

(74) *Attorney, Agent, or Firm*—Woodard, Emhardt, Naughton, Moriarty & McNett

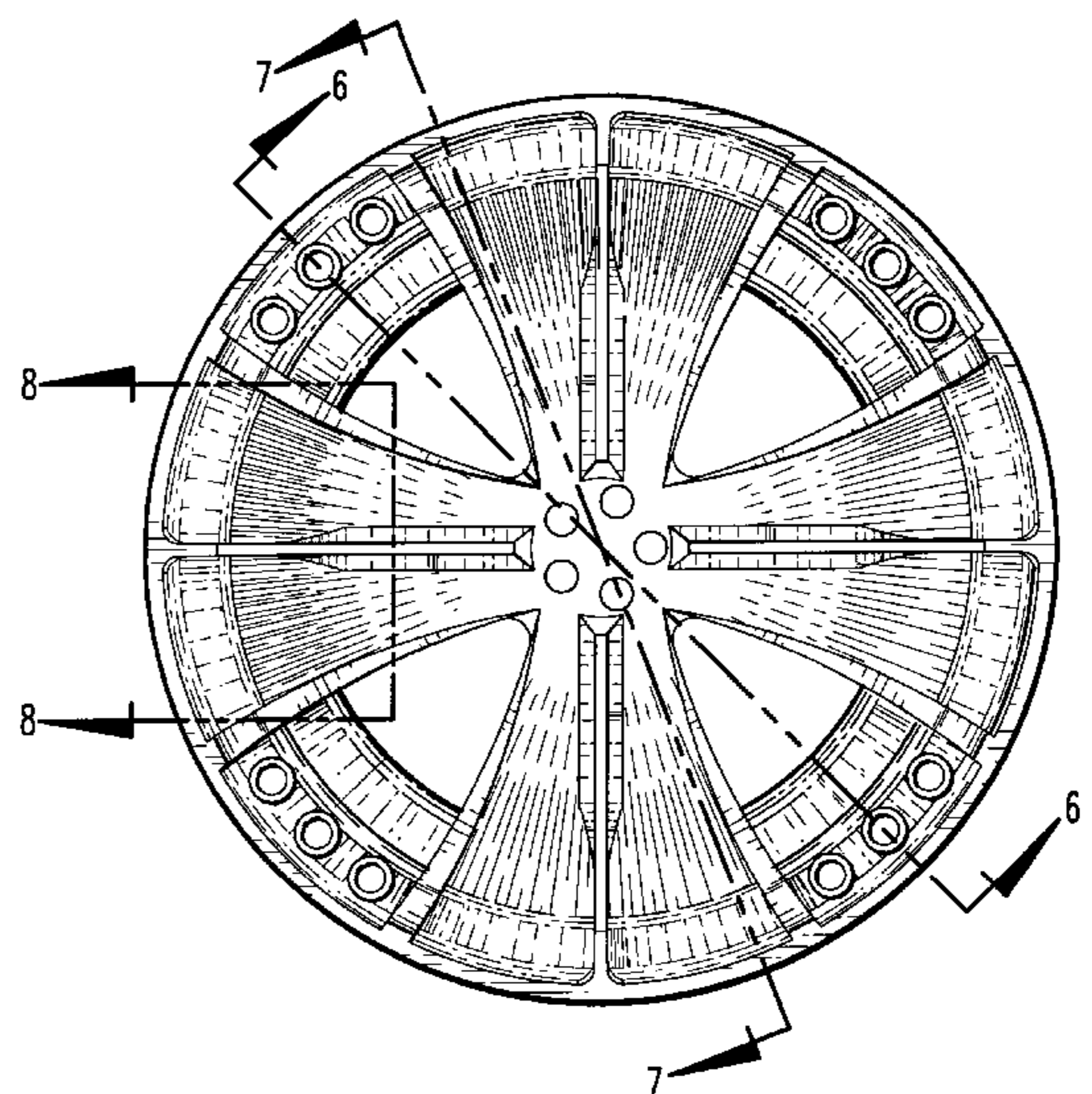
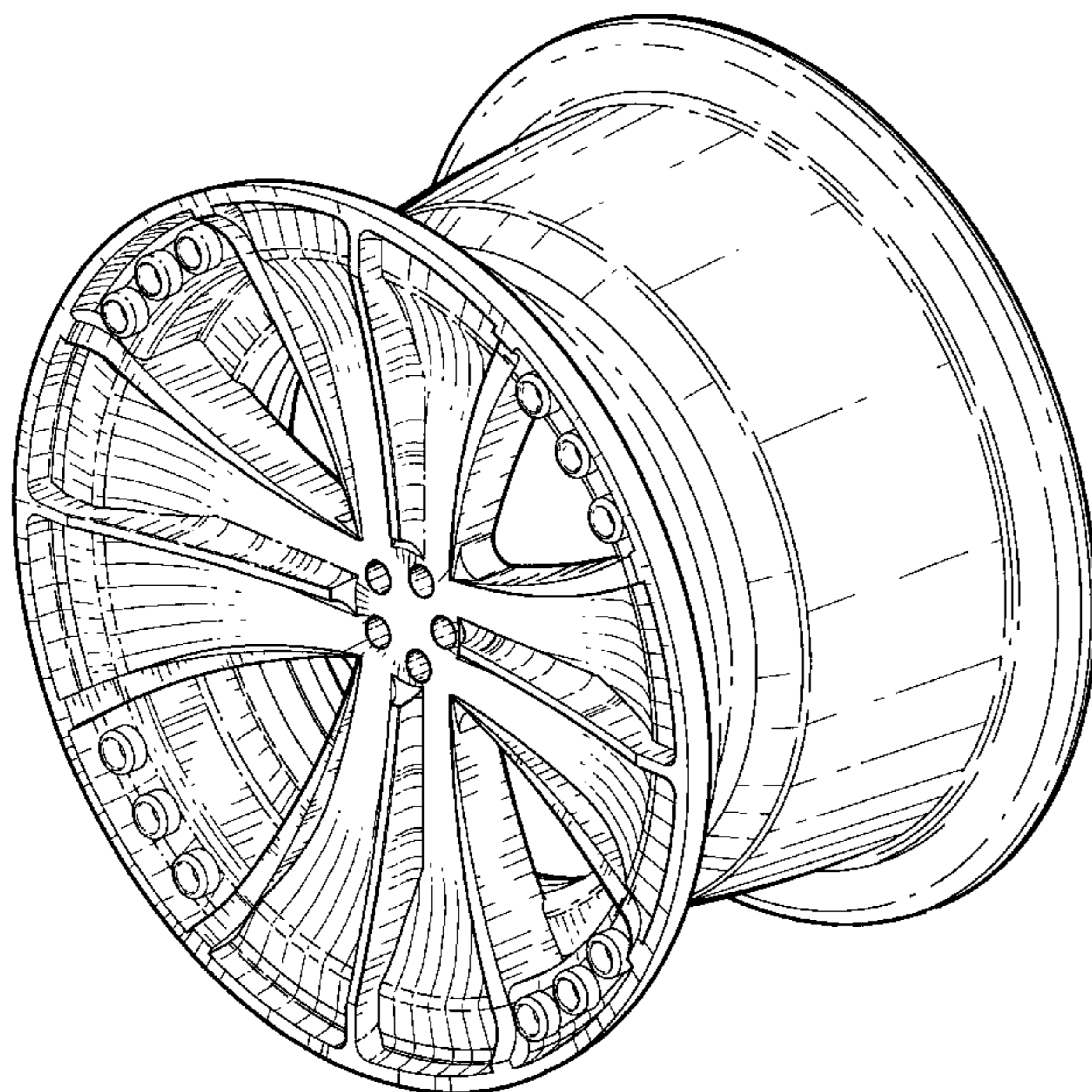
(57) **CLAIM**

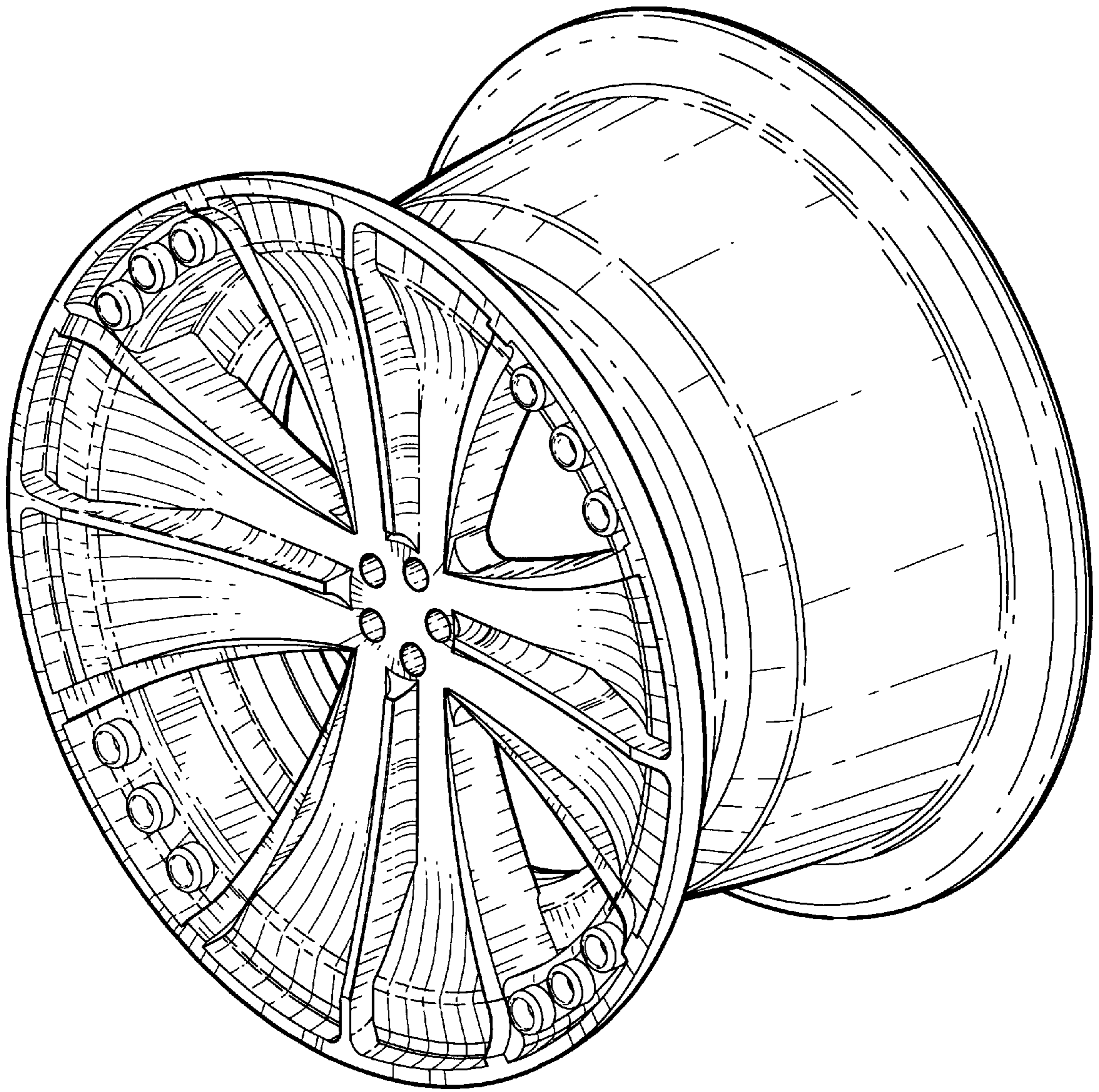
The ornamental design for a wheel rim, as shown and described.

**DESCRIPTION**

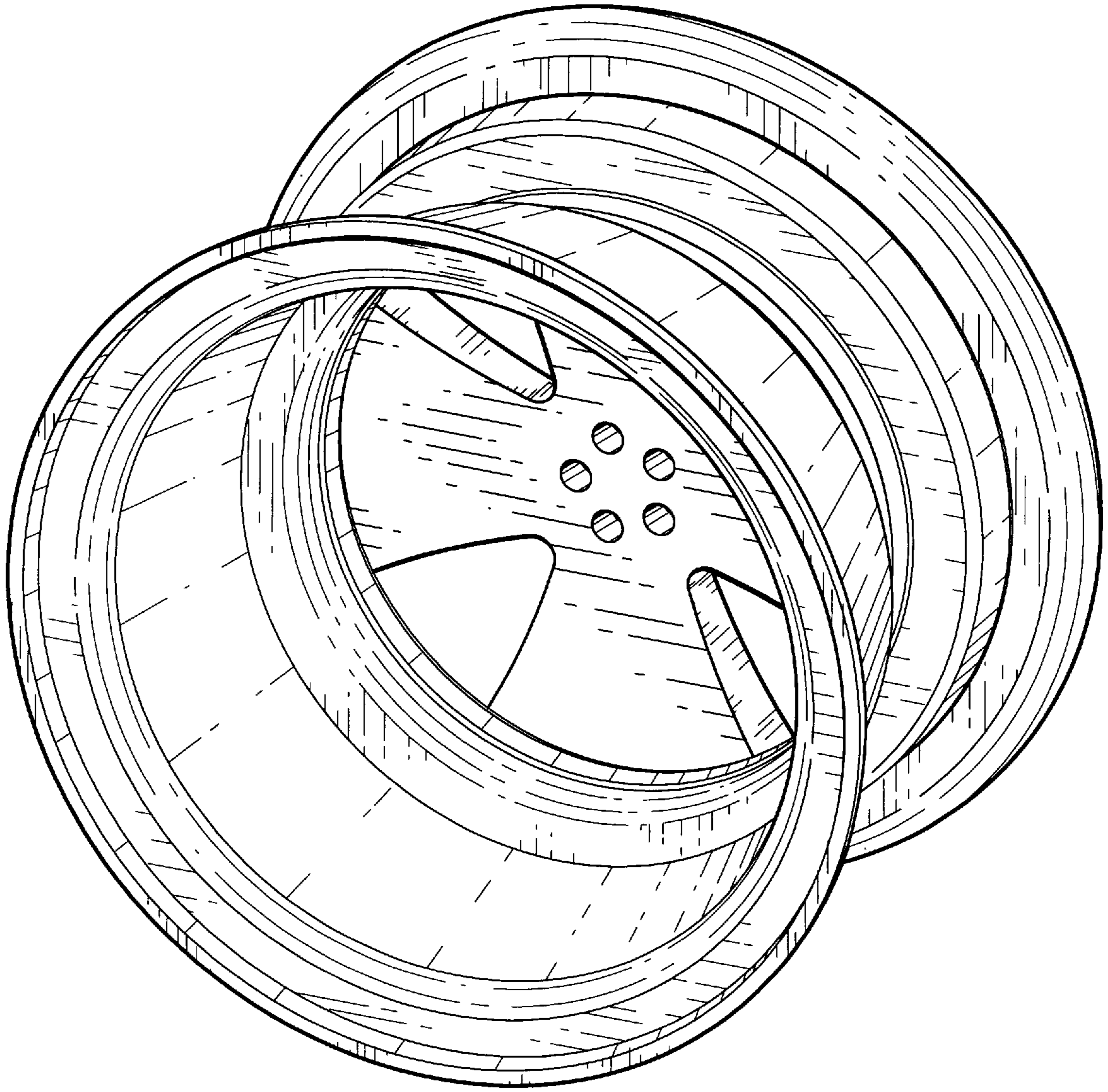
FIG. 1 is a front perspective view of the wheel rim incorporating my new design;  
 FIG. 2 is a rear perspective view thereof;  
 FIG. 3 is a front view thereof;  
 FIG. 4 is a rear view thereof;  
 FIG. 5 is a right side view with the opposite side view and the top and bottom views being mirror images thereof;  
 FIG. 6 is an enlarged cross sectional view taken along the line 6—6 of FIG. 3 and viewed in the direction of the arrows;  
 FIG. 7 is an enlarged cross sectional view taken along the line 7—7 of FIG. 3 and viewed in the direction of the arrows; and,  
 FIG. 8 is a reduced cross sectional view taken along the line 8—8 of FIG. 3 and viewed in the direction of arrows.

**1 Claim, 5 Drawing Sheets**

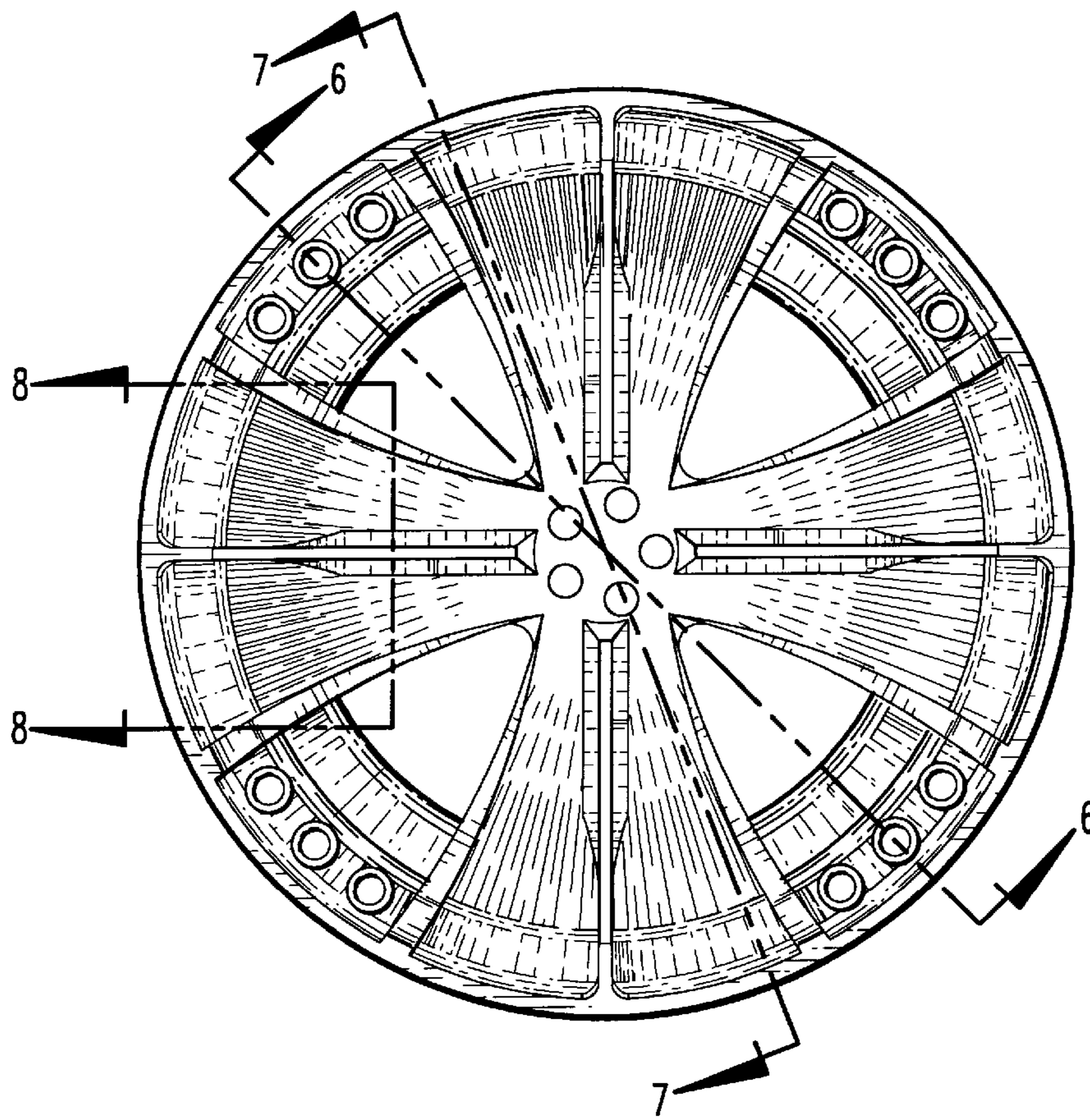




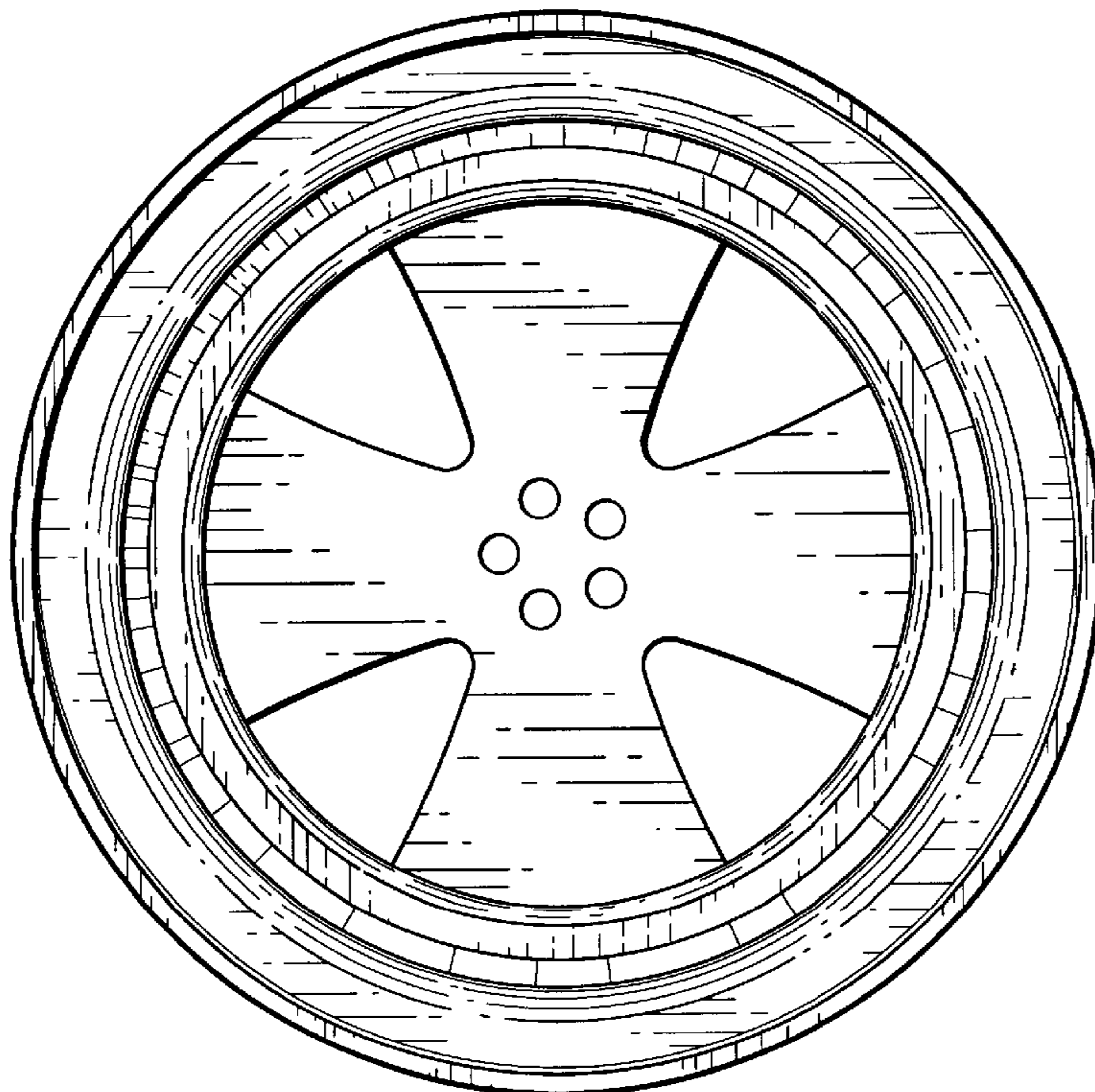
**Fig. 1**



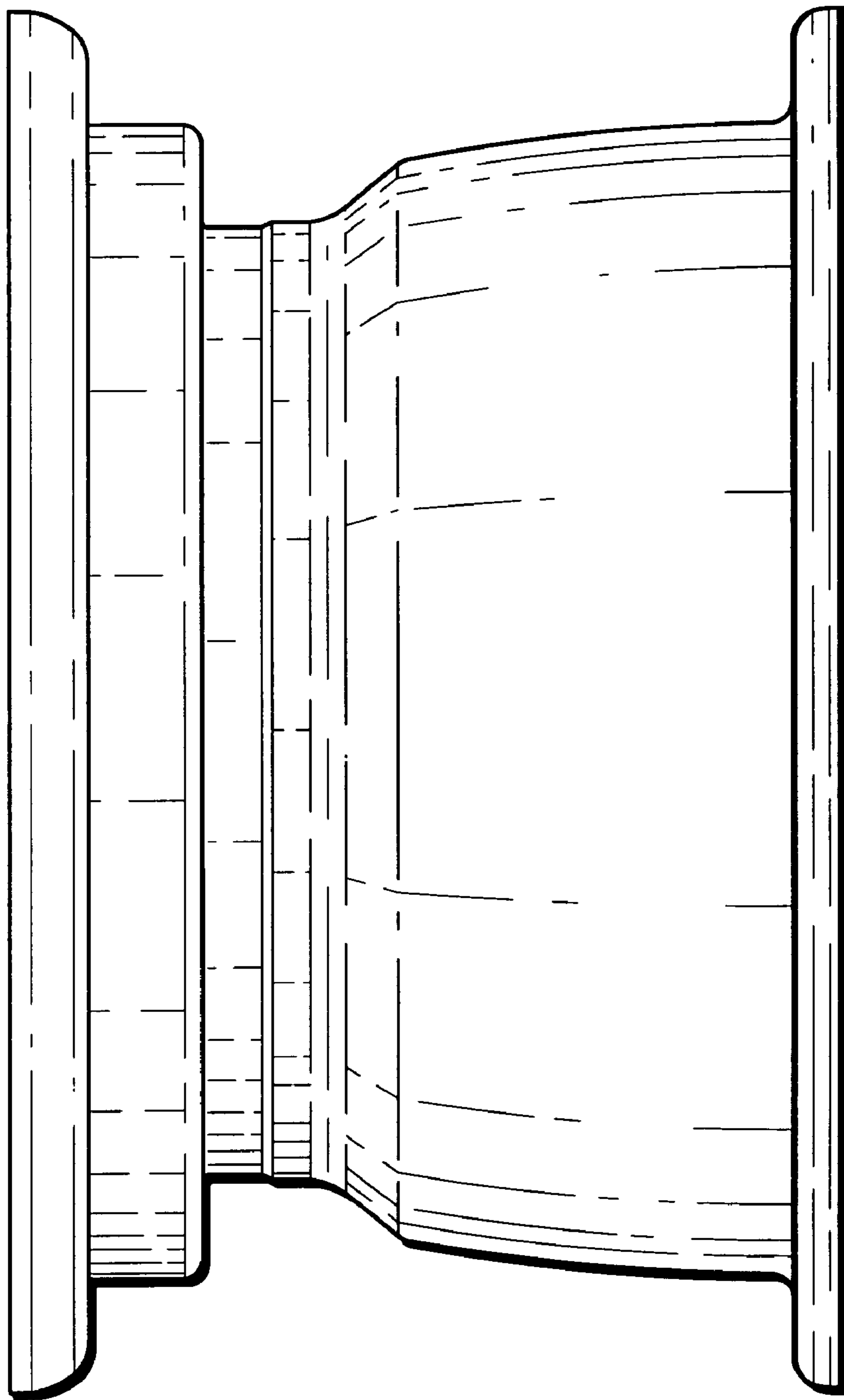
**Fig. 2**



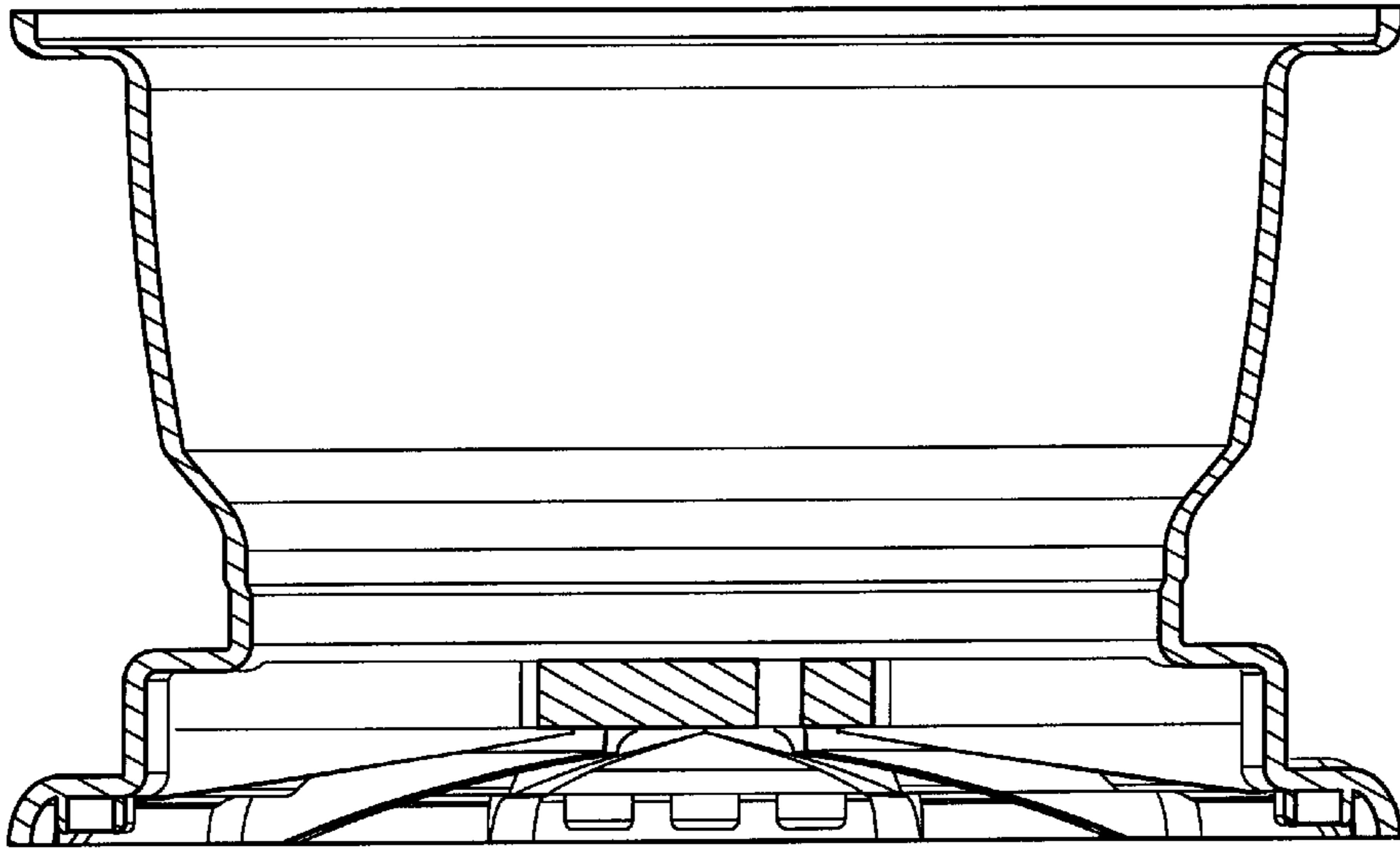
**Fig. 3**



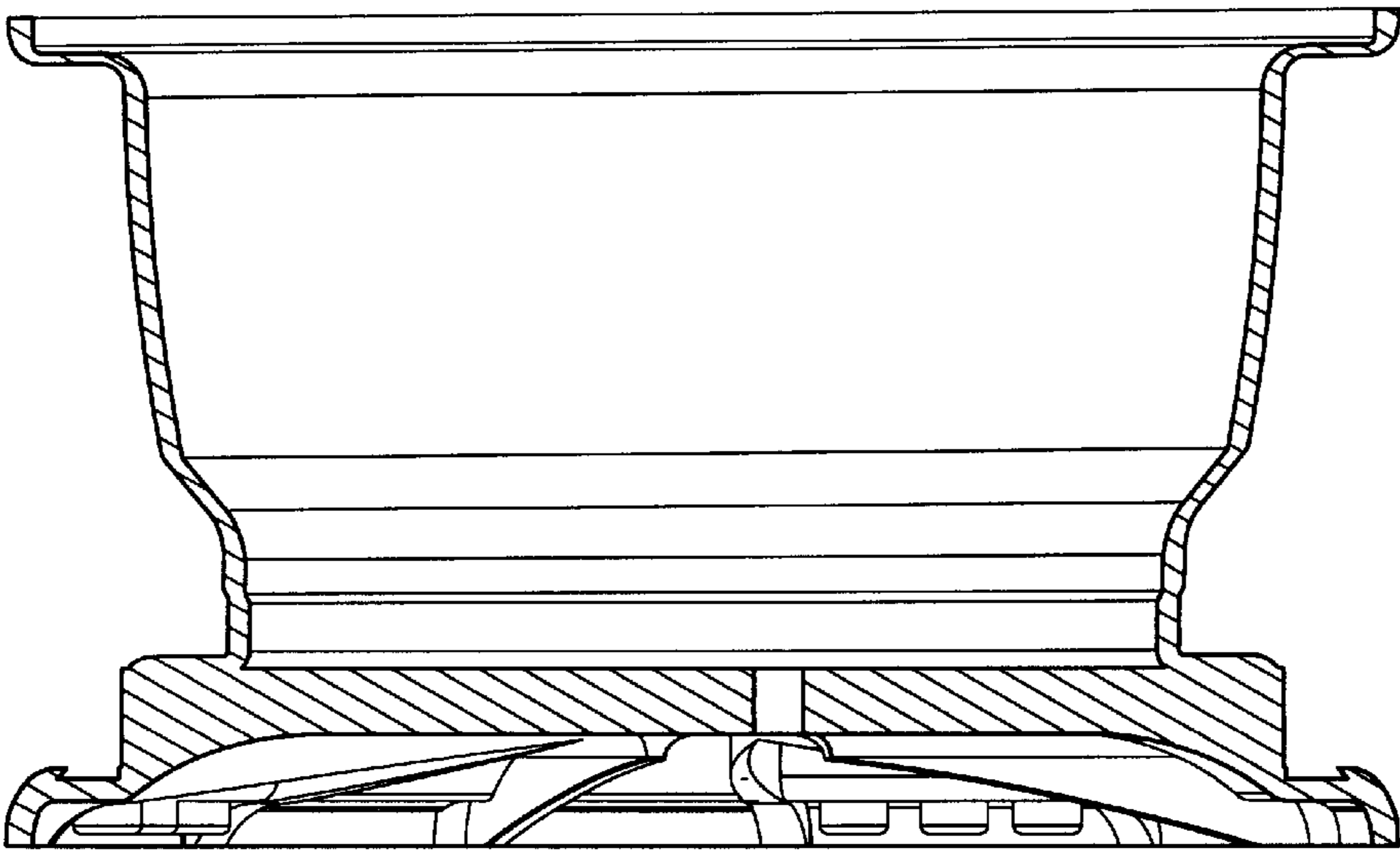
**Fig. 4**



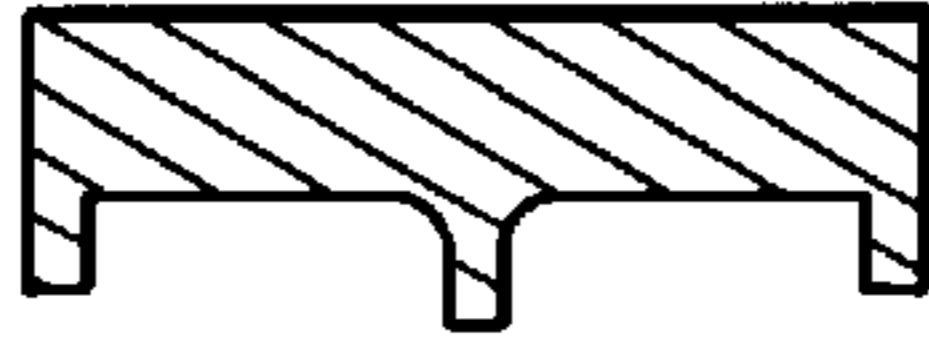
**Fig. 5**



**Fig. 6**



**Fig. 7**



**Fig. 8**