



US00D436570S

(12) **United States Design Patent**
Lee

(10) **Patent No.:** **US D436,570 S**

(45) **Date of Patent:** **** Jan. 23, 2001**

(54) **AUTOMOTIVE WHEEL**

(75) **Inventor:** **Seon Kyu Lee, Fullerton, CA (US)**

(73) **Assignee:** **Synergies America Inc, Farmington Hills, MI (US)**

(*) **Notice:** This patent is subject to a terminal disclaimer.

(**) **Term:** **14 Years**

(21) **Appl. No.:** **29/115,344**

(22) **Filed:** **Dec. 13, 1999**

(51) **LOC (7) Cl.** **12-16**

(52) **U.S. Cl.** **D12/209**

(58) **Field of Search** **D12/204-211;**
301/37.1, 64.1, 65

(56) **References Cited**

U.S. PATENT DOCUMENTS

- D. 380,724 * 7/1997 Brown et al. D12/209
- D. 386,739 * 11/1997 Muzzarelli et al. D12/209

- D. 403,647 * 1/1999 Rotundo D12/209
- D. 408,774 * 4/1999 Nishida D12/209
- D. 411,159 * 6/1999 Neeper D12/211
- D. 412,480 * 8/1999 Hussaini et al. D12/209
- D. 415,090 * 10/1999 Pruden D12/209
- D. 418,796 * 1/2000 Flueckiger D12/209

* cited by examiner

Primary Examiner—Stacia Cadmus

(74) *Attorney, Agent, or Firm*—G. Donald Weber, Jr.

(57) **CLAIM**

The ornamental design for an automotive wheel, as shown and described.

DESCRIPTION

FIG. 1 is an oblique view of the automotive wheel of the instant invention; and, FIG. 2 is a front view of the automotive wheel of the instant invention.

The broken line showing of environment is for illustrative purposes only and forms no part of the claimed design.

1 Claim, 1 Drawing Sheet

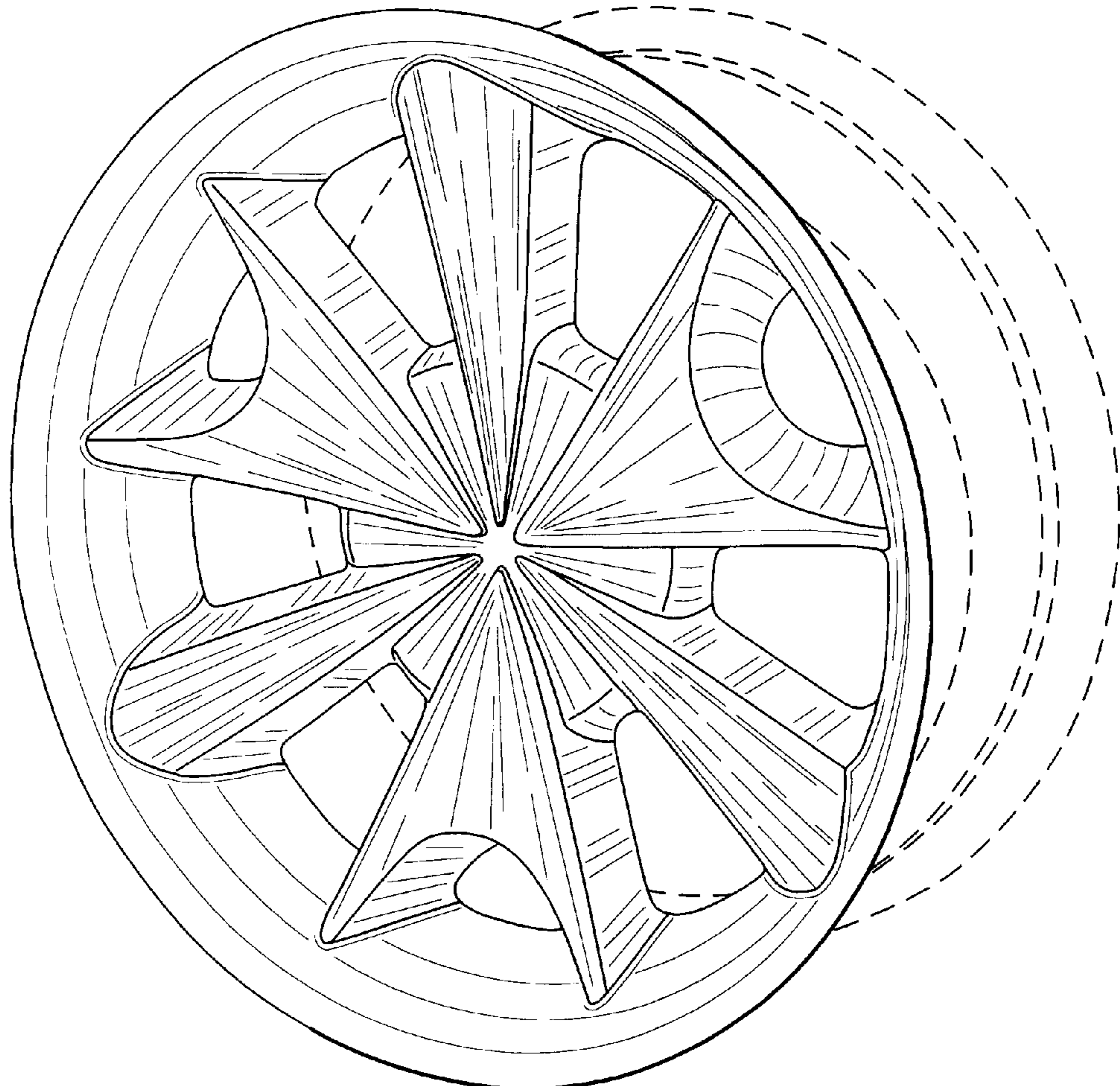


Fig. 1

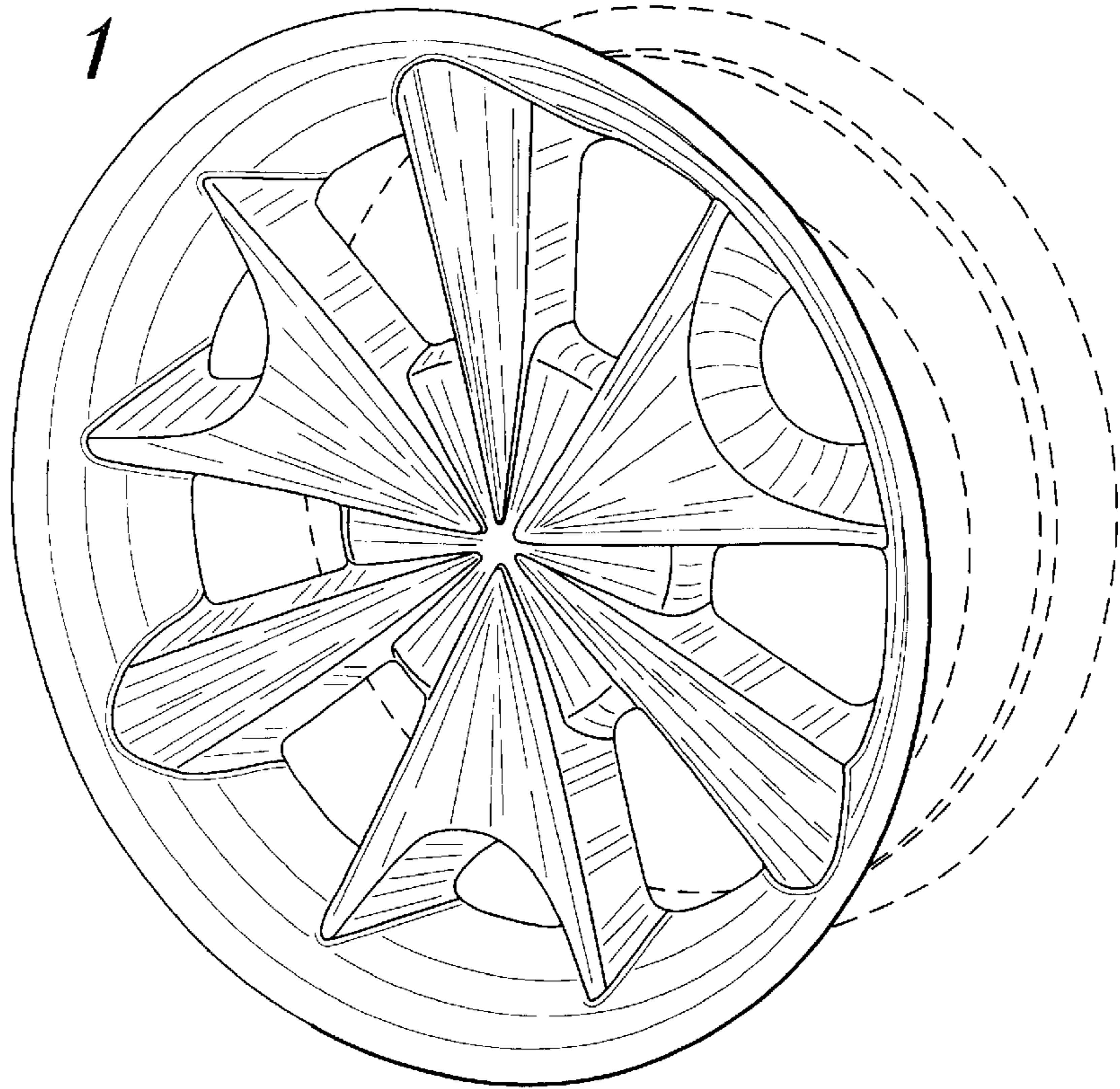


Fig. 2

