



US00D436560S

(12) **United States Design Patent**
Golenz

(10) **Patent No.:** **US D436,560 S**

(45) **Date of Patent:** **** Jan. 23, 2001**

(54) **DUAL ARCH TRICYCLE BODY**

3,282,506 * 11/1966 Casper D12/113 X

(75) Inventor: **Douglas J. Golenz**, Louisville, CO
(US)

* cited by examiner

(73) Assignee: **Schwinn Cycling & Fitness Inc.**,
Boulder, CO (US)

Primary Examiner—Melody N. Brown

(74) *Attorney, Agent, or Firm*—Dorsey & Whitney LLP

(**) Term: **14 Years**

(57) **CLAIM**

The ornamental design for a dual arch tricycle body, as shown and described.

(21) Appl. No.: **29/115,100**

DESCRIPTION

(22) Filed: **Dec. 7, 1999**

(51) **LOC (7) Cl.** **12-11**

(52) **U.S. Cl.** **D12/113**

(58) **Field of Search** D12/112, 113;
280/202, 282, 267, 259

FIG. 1 is a front perspective view of a dual arch tricycle body showing my new design in full lines with the broken lines showing environmental association matter being for illustrative purposes only and forming no part of the claimed design;

FIG. 2 is a front elevational view thereof;

FIG. 3 is a rear elevational view thereof;

FIG. 4 is a right side elevational view thereof;

FIG. 5 is a left side elevational view thereof;

FIG. 6 is a top plan view thereof; and,

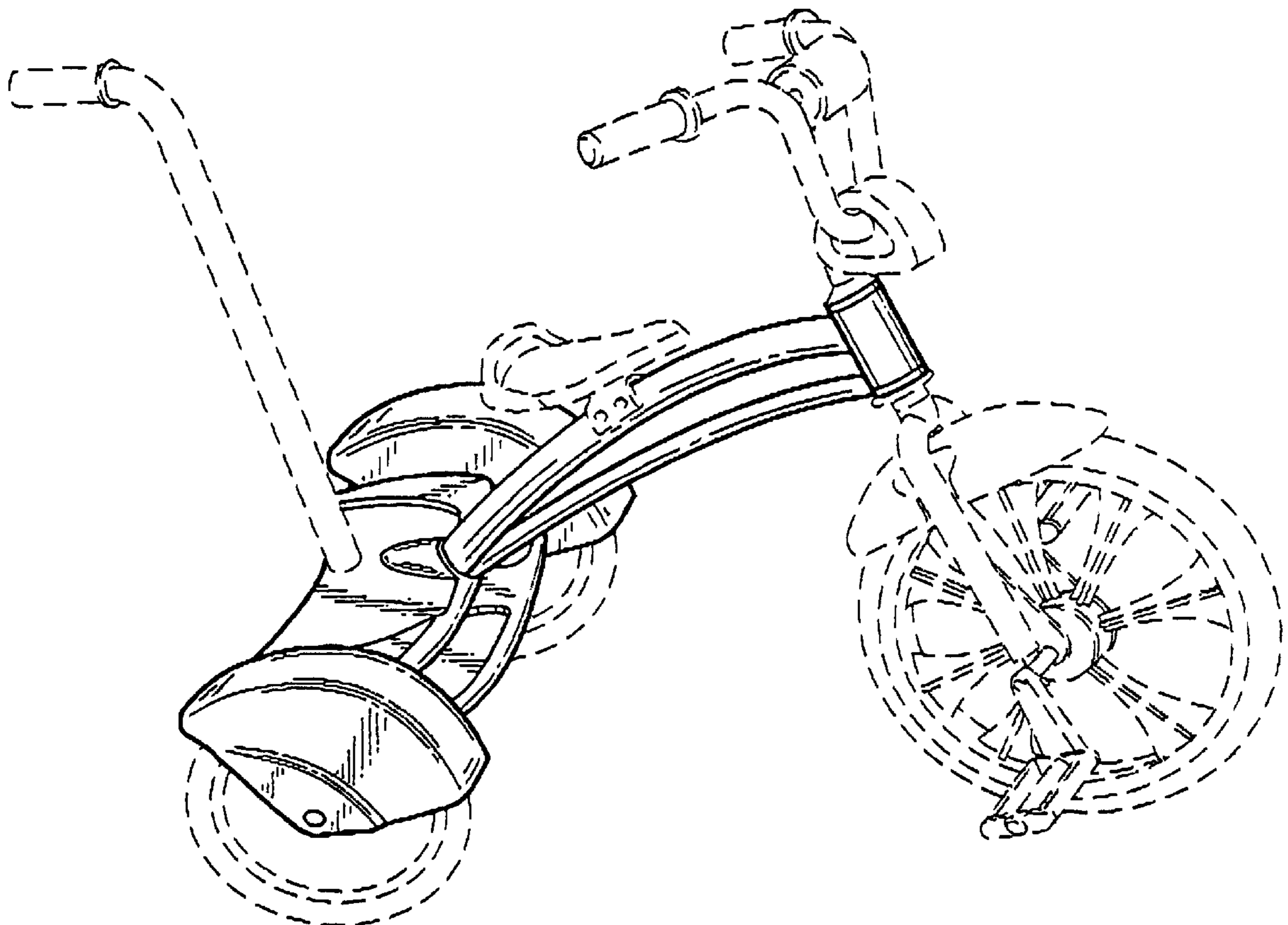
FIG. 7 is a bottom plan view thereof.

(56) **References Cited**

U.S. PATENT DOCUMENTS

- D. 290,940 * 7/1987 Smith et al. D12/113
- D. 334,157 * 3/1993 Tonelli D12/113
- D. 372,690 * 8/1996 Nakai D12/113
- D. 402,596 * 12/1998 Liu D12/113

1 Claim, 4 Drawing Sheets



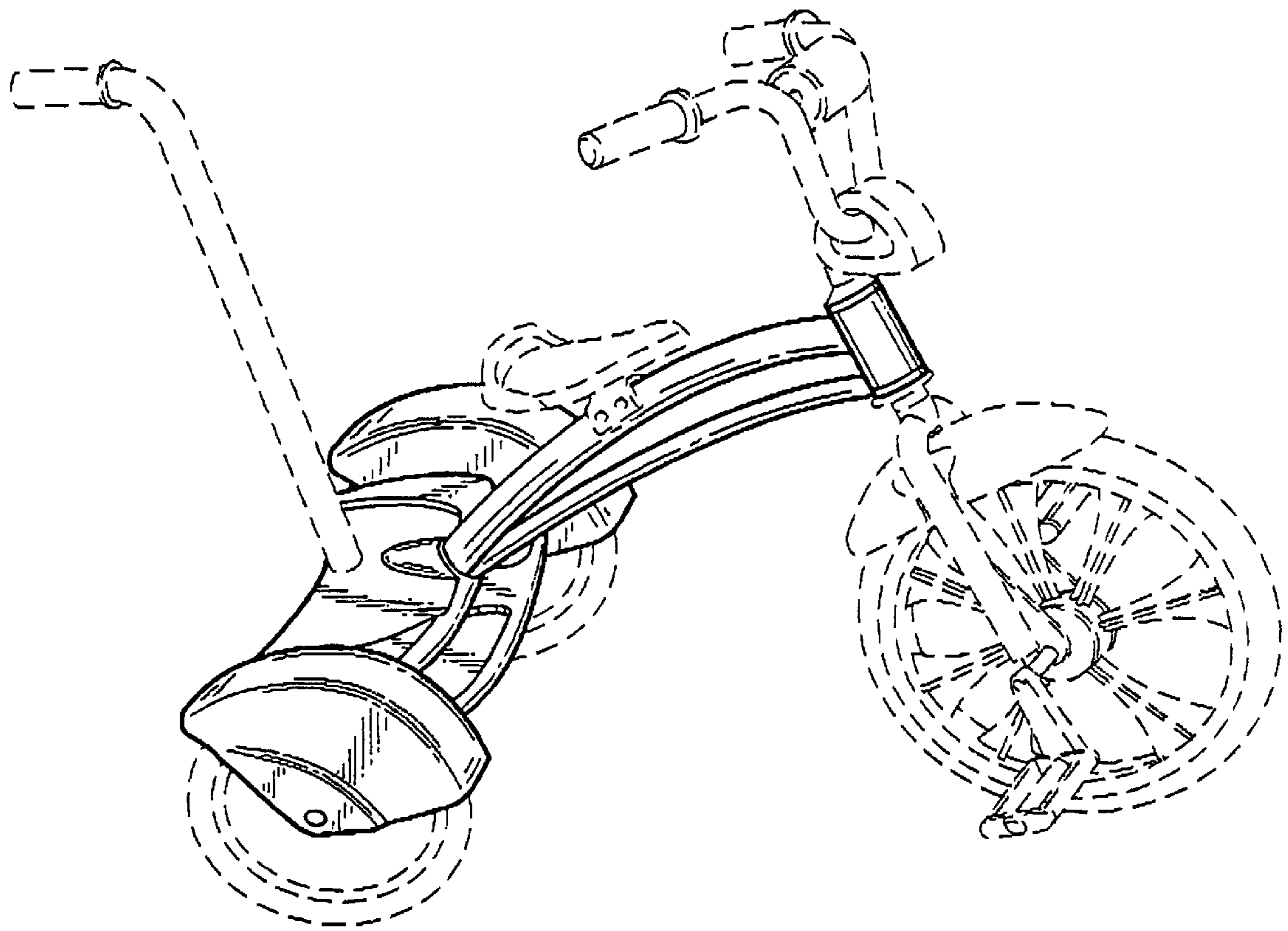


FIG. 1

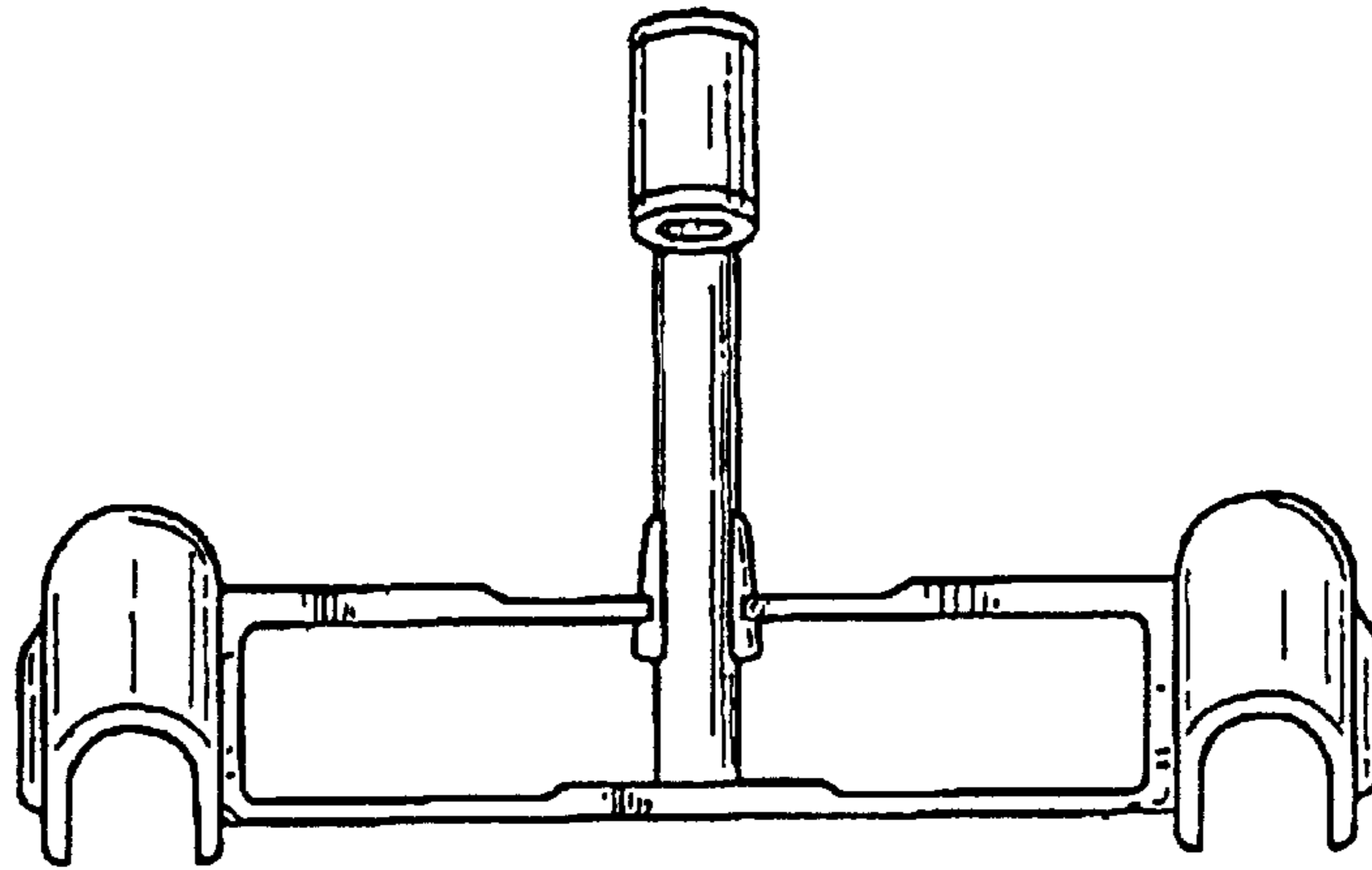


FIG.2

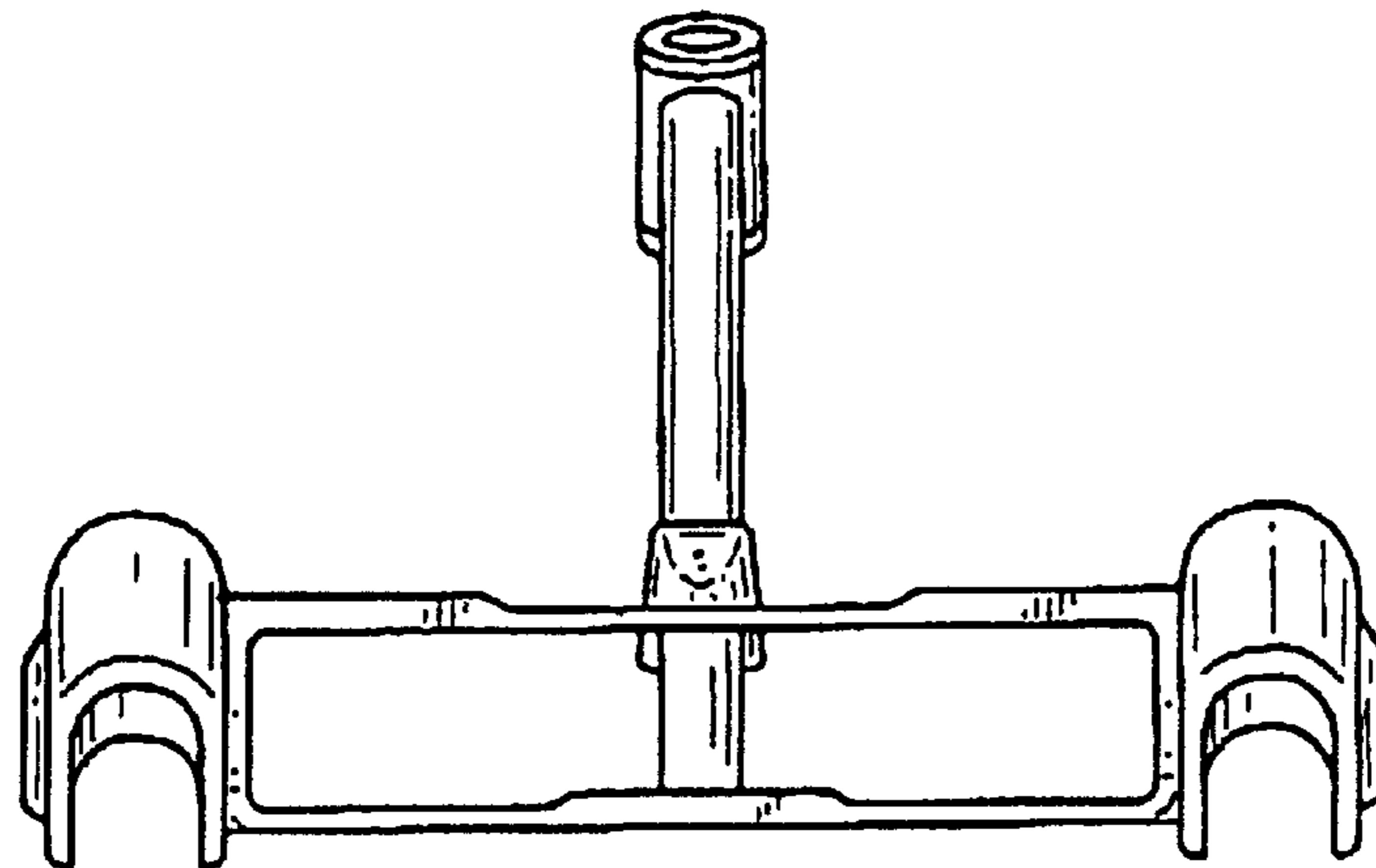


FIG.3

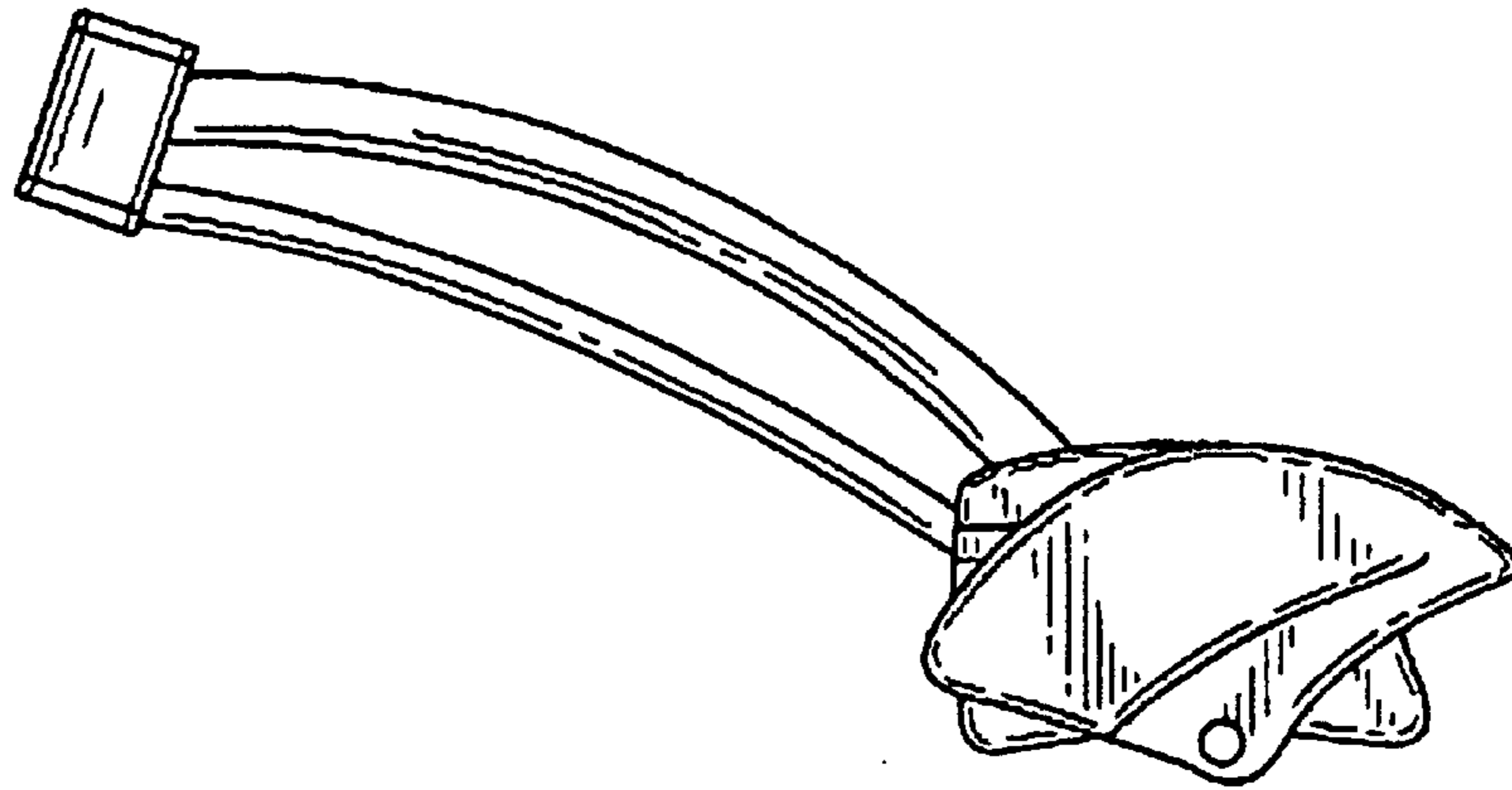


FIG. 4

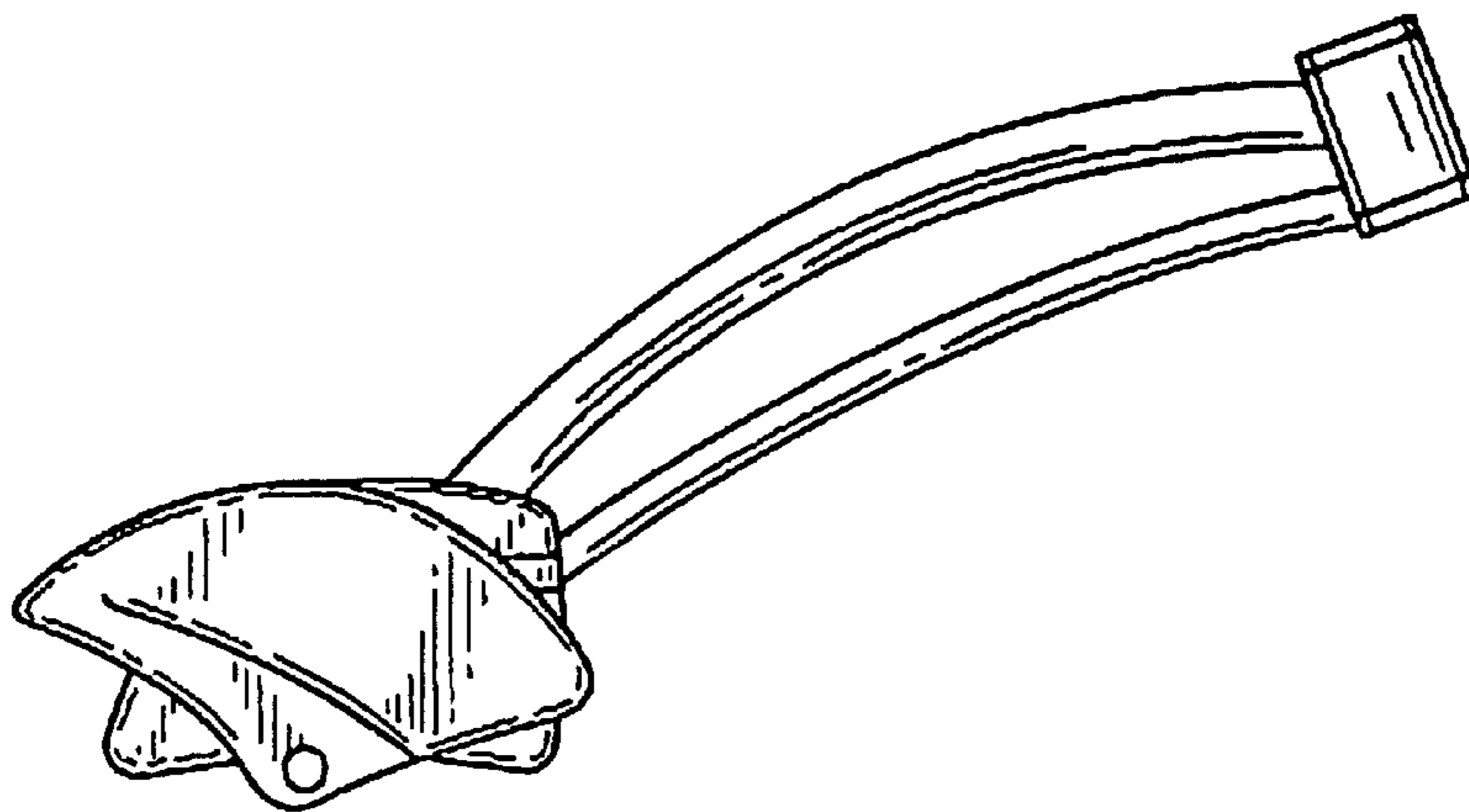


FIG. 5

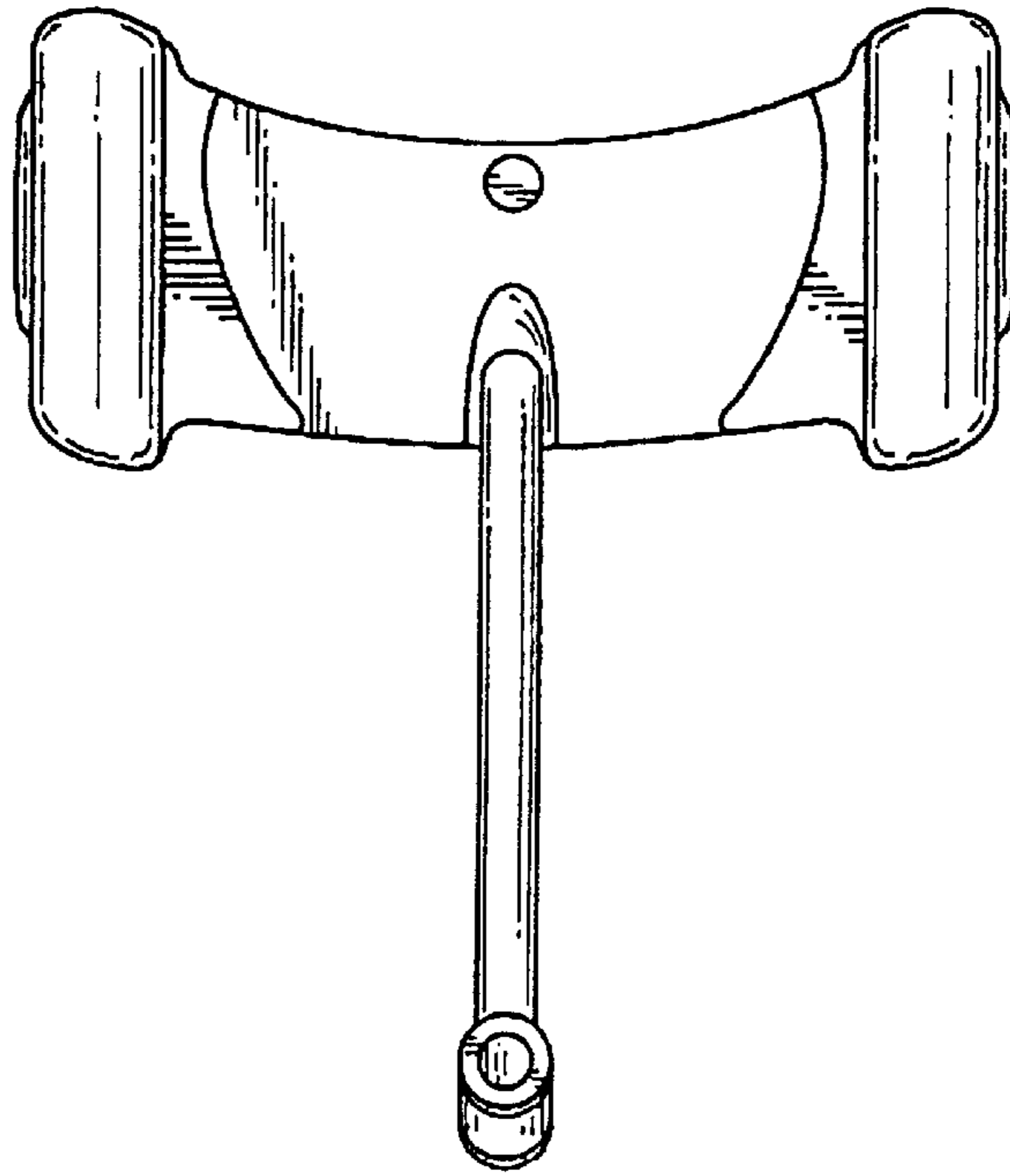


FIG. 6

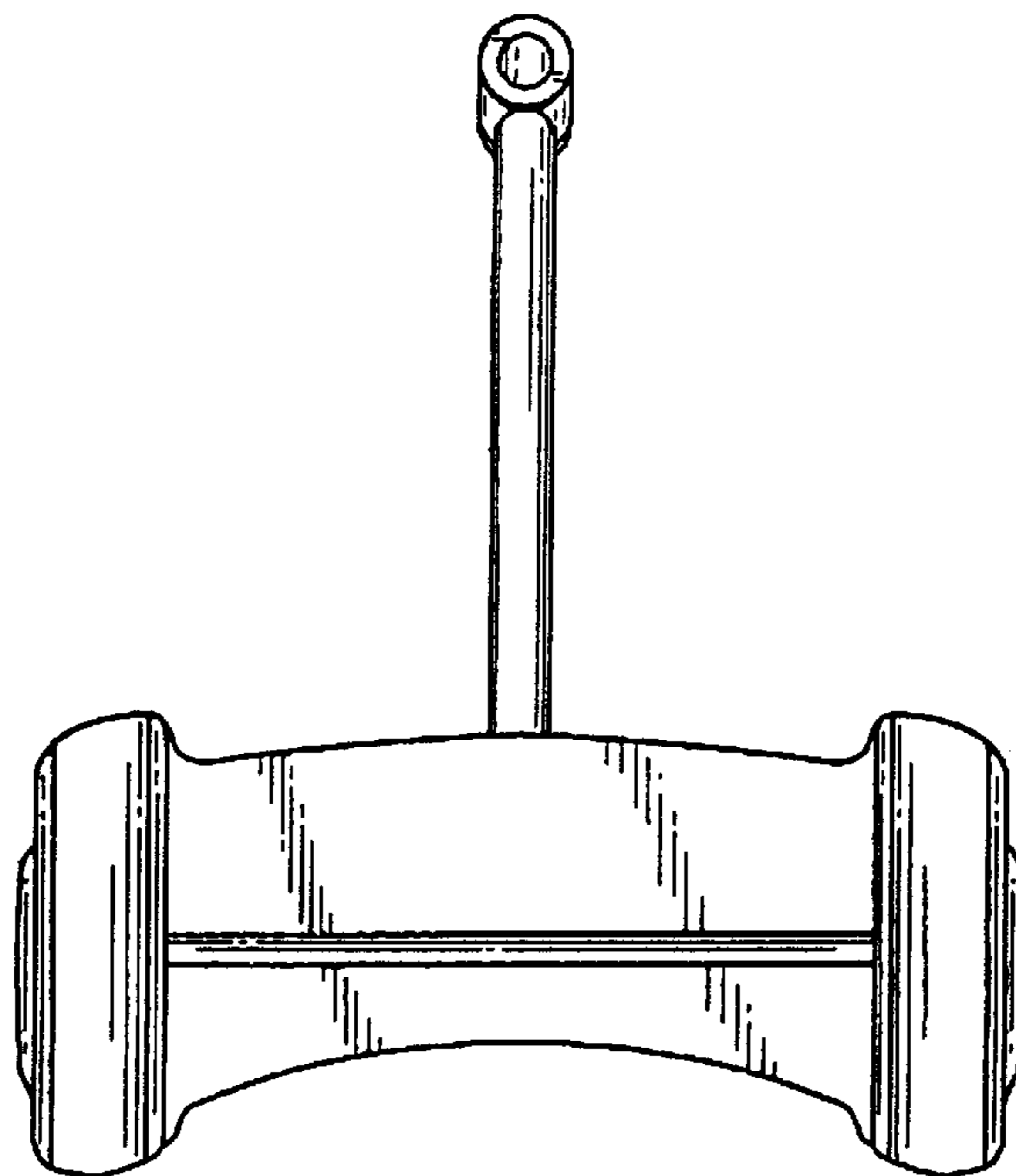


FIG. 7