



US00D436557S

(12) **United States Design Patent**  
**Selby et al.**

(10) **Patent No.:** **US D436,557 S**

(45) **Date of Patent:** **\*\* Jan. 23, 2001**

(54) **UTILITY VEHICLE**

(75) Inventors: **David T. Selby; William H. Maypole,**  
both of Augusta, GA (US)

(73) Assignee: **Club Car, Inc.,** Augusta, GA (US)

(\*\*) Term: **14 Years**

(21) Appl. No.: **29/118,890**

(22) Filed: **Feb. 18, 2000**

(51) **LOC (7) Cl.** ..... **26-97**

(52) **U.S. Cl.** ..... **D12/14**

(58) **Field of Search** ..... D12/14, 1, 15,  
D12/85; 296/184; 180/22, 24.01, 24.11

(56) **References Cited**

**U.S. PATENT DOCUMENTS**

D. 312,227 \* 11/1990 Miyamoto et al. .... D12/14

D. 337,747 \* 7/1993 Henklen et al. .... D12/15

D. 364,590 \* 11/1995 Yamashita ..... D12/14

\* cited by examiner

*Primary Examiner*—Melody N. Brown

(74) *Attorney, Agent, or Firm*—Mark A. Ussai

(57) **CLAIM**

The ornamental design for a utility vehicle, as shown.

**DESCRIPTION**

FIG. 1 is a perspective view of a utility vehicle showing our new design;

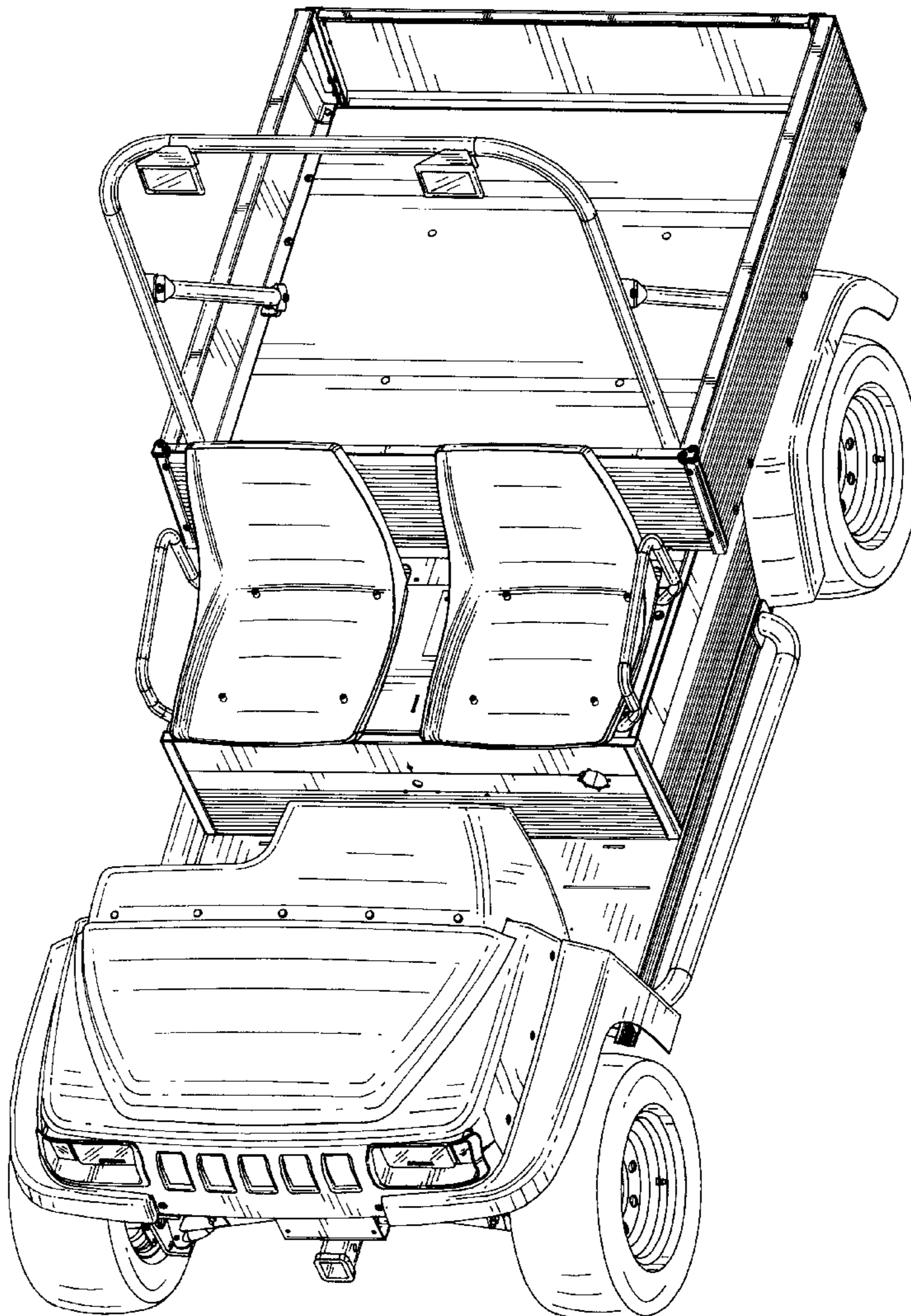
FIG. 2 is a right side elevational view thereof, which is a mirror image of the left side not shown;

FIG. 3 is a front elevational view thereof;

FIG. 4 is a rear elevational view thereof; and,

FIG. 5 is a top plan view thereof.

**1 Claim, 5 Drawing Sheets**



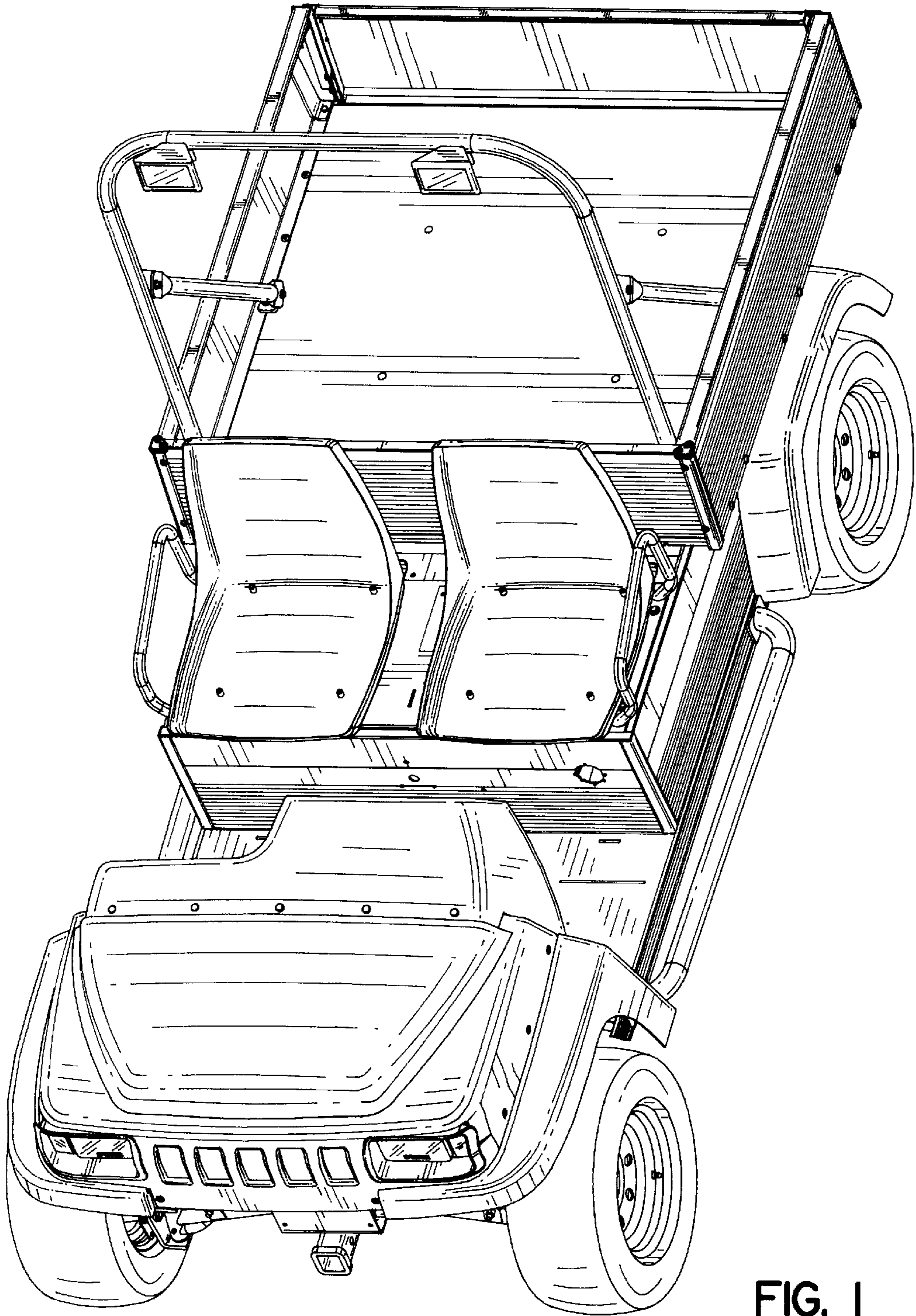


FIG. 1

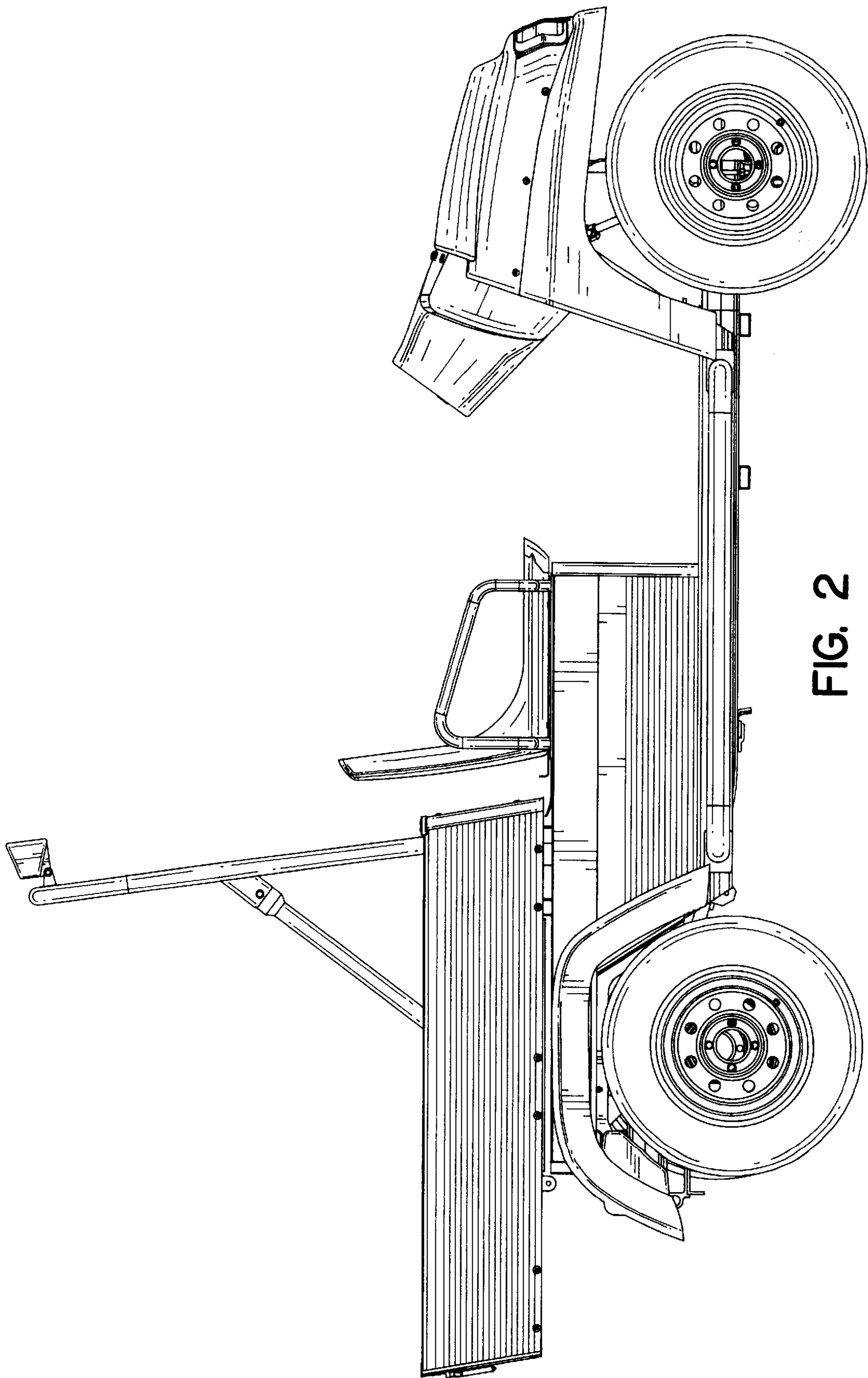


FIG. 2

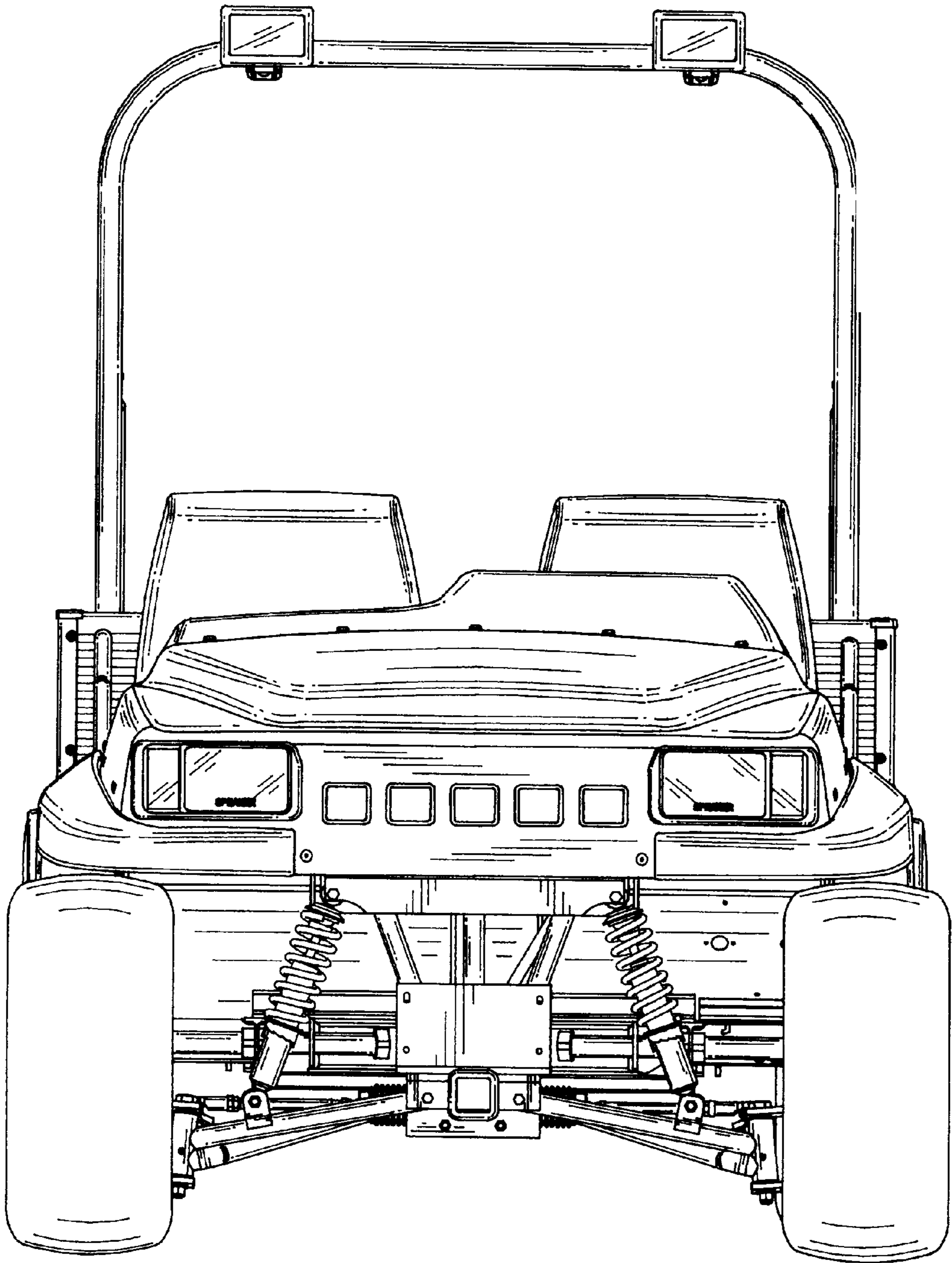


FIG. 3

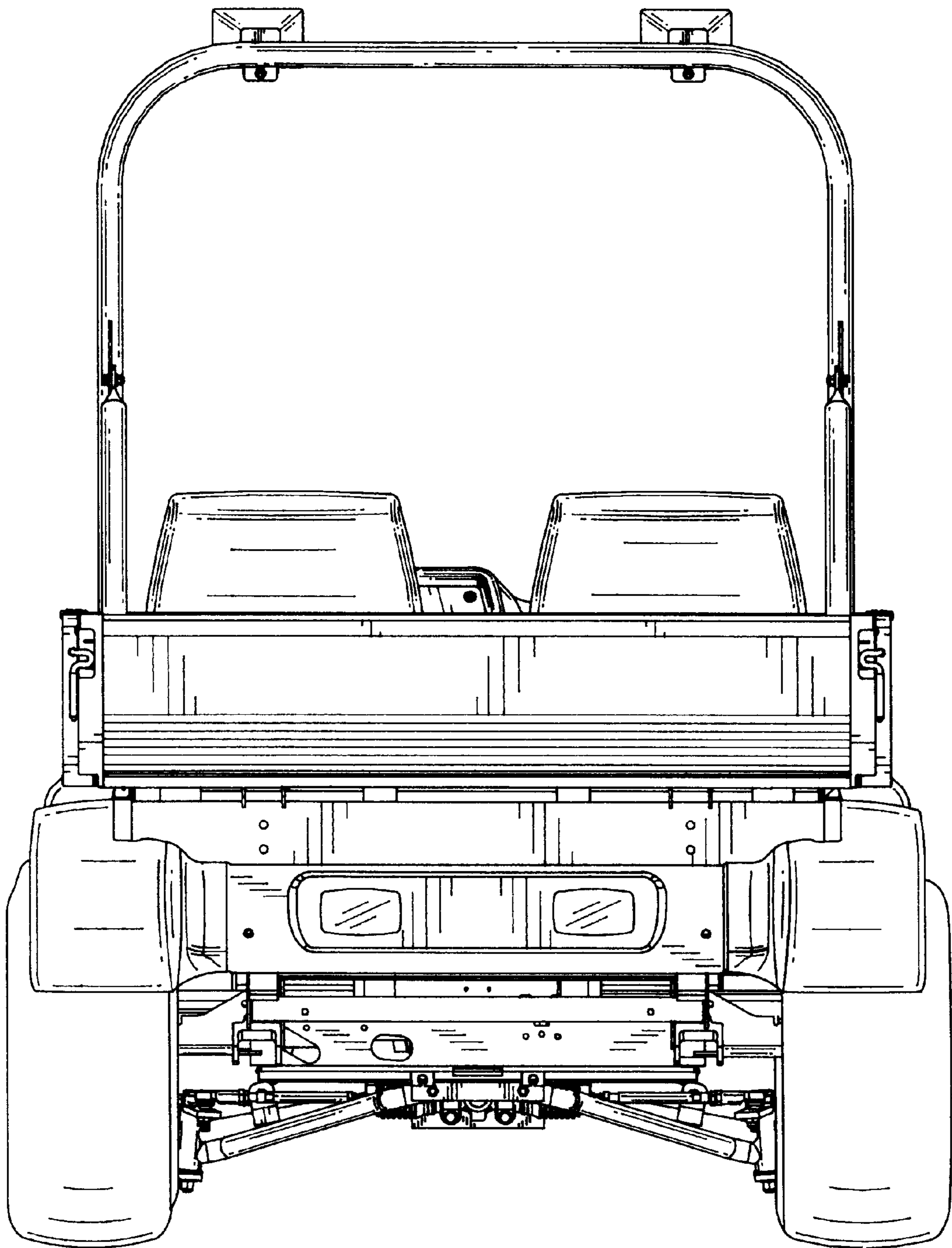


FIG. 4

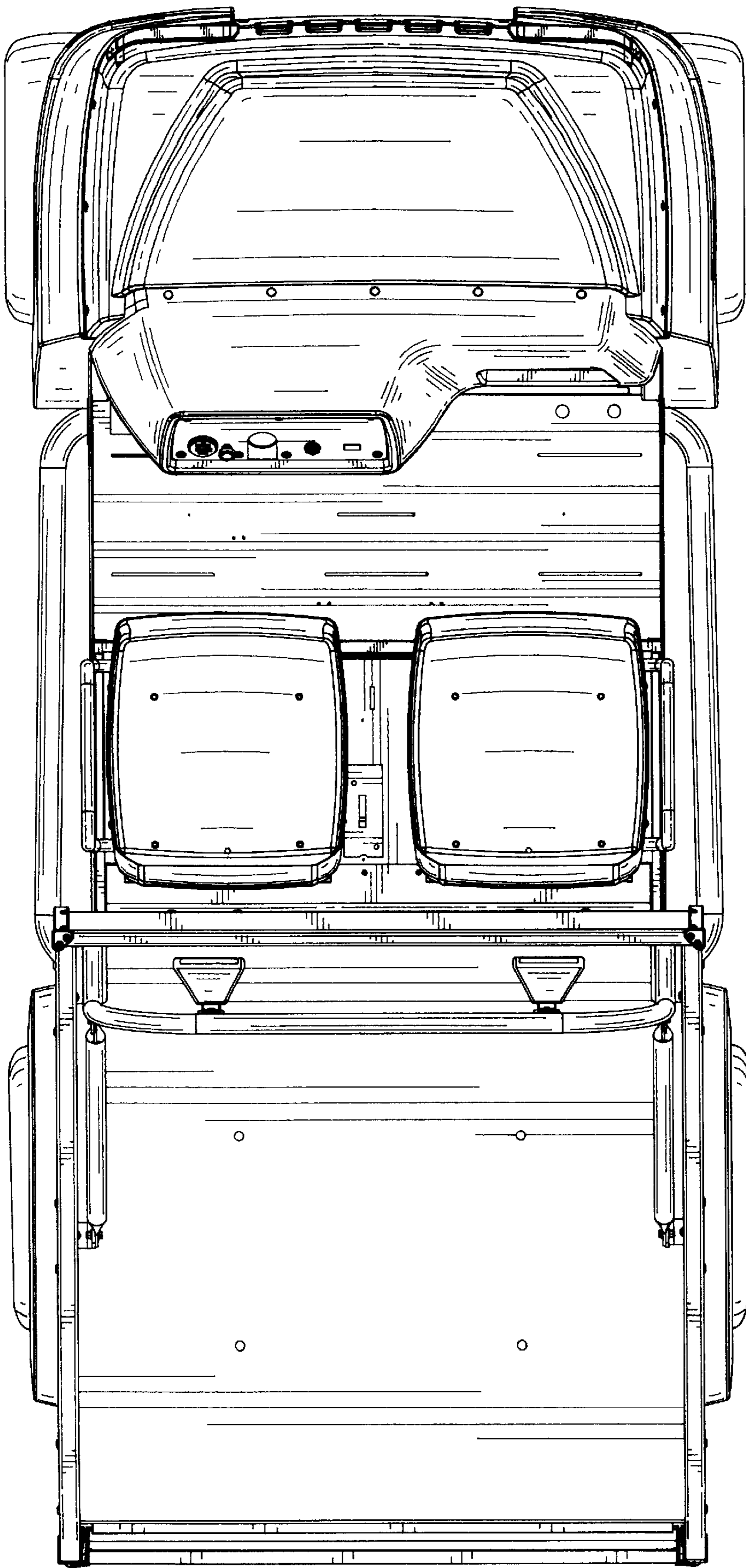


FIG. 5