



US00D436548S

(12) **United States Design Patent**  
**Masuda et al.**

(10) **Patent No.:** **US D436,548 S**  
(45) **Date of Patent:** **\*\* Jan. 23, 2001**

(54) **AUDIBLE SIGNAL FOR ALARMS**

D. 413,278 \* 8/1999 Kuwabara ..... D10/116  
D. 427,930 \* 7/2000 Watanabe ..... D10/116

(75) Inventors: **Mitsuhiro Masuda; Kiyoshi Urushibata**, both of Shizuoka (JP)

\* cited by examiner

(73) Assignee: **Star Micronics Co., Ltd.**, Shizuoka (JP)

*Primary Examiner*—Marcus A. Jackson  
(74) *Attorney, Agent, or Firm*—Sughrue, Mion, Zinn, Macpeak & Seas, PLLC

(\*\*) Term: **14 Years**

(21) Appl. No.: **29/114,597**

(22) Filed: **Nov. 30, 1999**

(30) **Foreign Application Priority Data**

May 31, 1999 (JP) ..... 11-14158

(51) **LOC (7) Cl.** ..... **10-05**

(52) **U.S. Cl.** ..... **D10/116**

(58) **Field of Search** ..... D10/104, 106,  
D10/116, 121; D13/152, 156; 340/384.1,  
384.3, 384.7, 388.1, 390.1, 391.1, 392.2,  
392.4

(56) **References Cited**

**U.S. PATENT DOCUMENTS**

D. 405,022 \* 2/1999 Imahori ..... D10/116

(57) **CLAIM**

The ornamental design for an audible signal for alarms, as shown.

**DESCRIPTION**

FIG. 1 is a perspective view of the top and front of an audible signal for alarms showing our new design;  
FIG. 2 is a front elevational view thereof;  
FIG. 3 is a rear elevational view thereof;  
FIG. 4 is a top plan view thereof;  
FIG. 5 is a bottom plan view thereof;  
FIG. 6 is a right side elevational view thereof; and,  
FIG. 7 is a left side elevational view thereof.

**1 Claim, 1 Drawing Sheet**

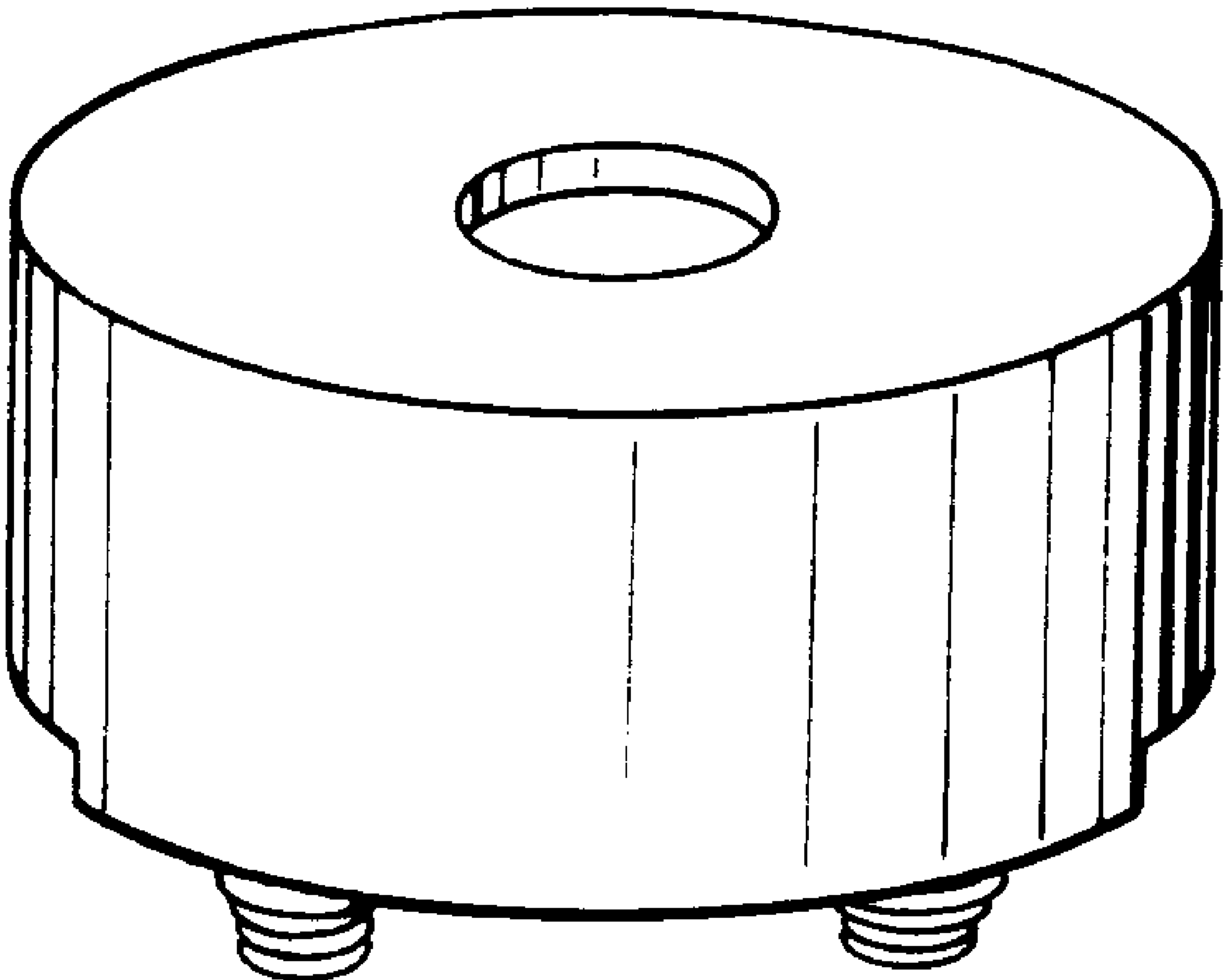


FIG. 1

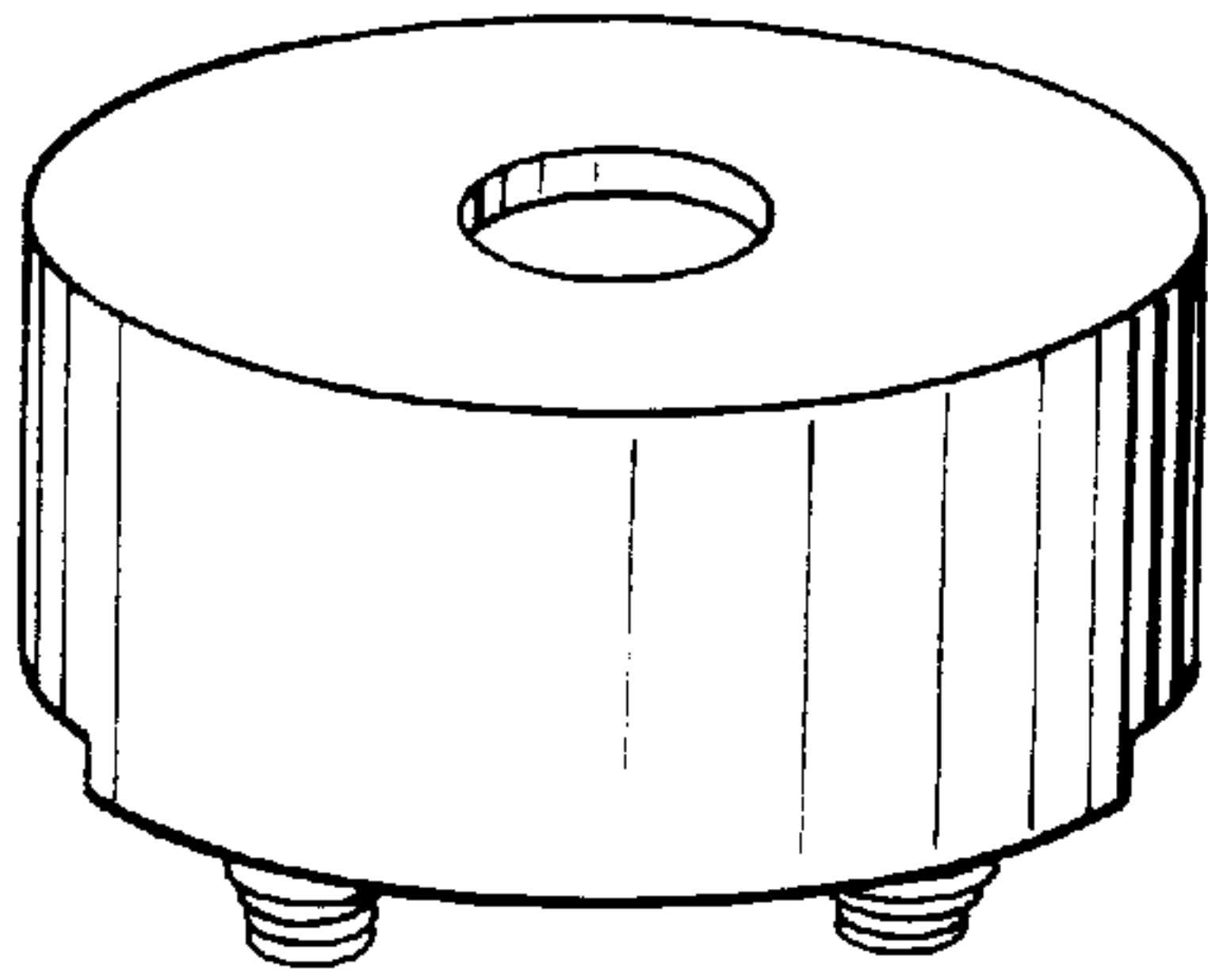


FIG. 2

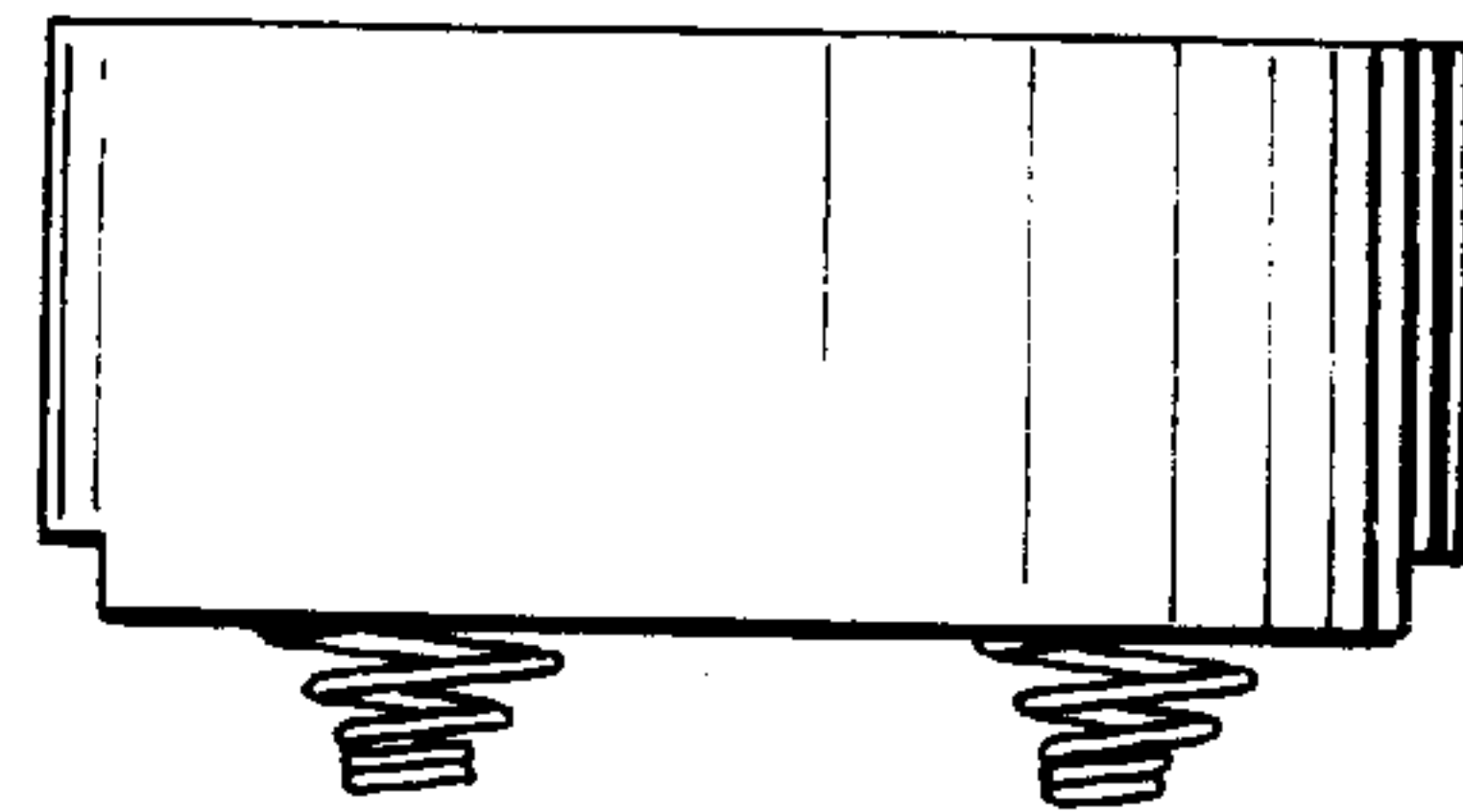


FIG. 4

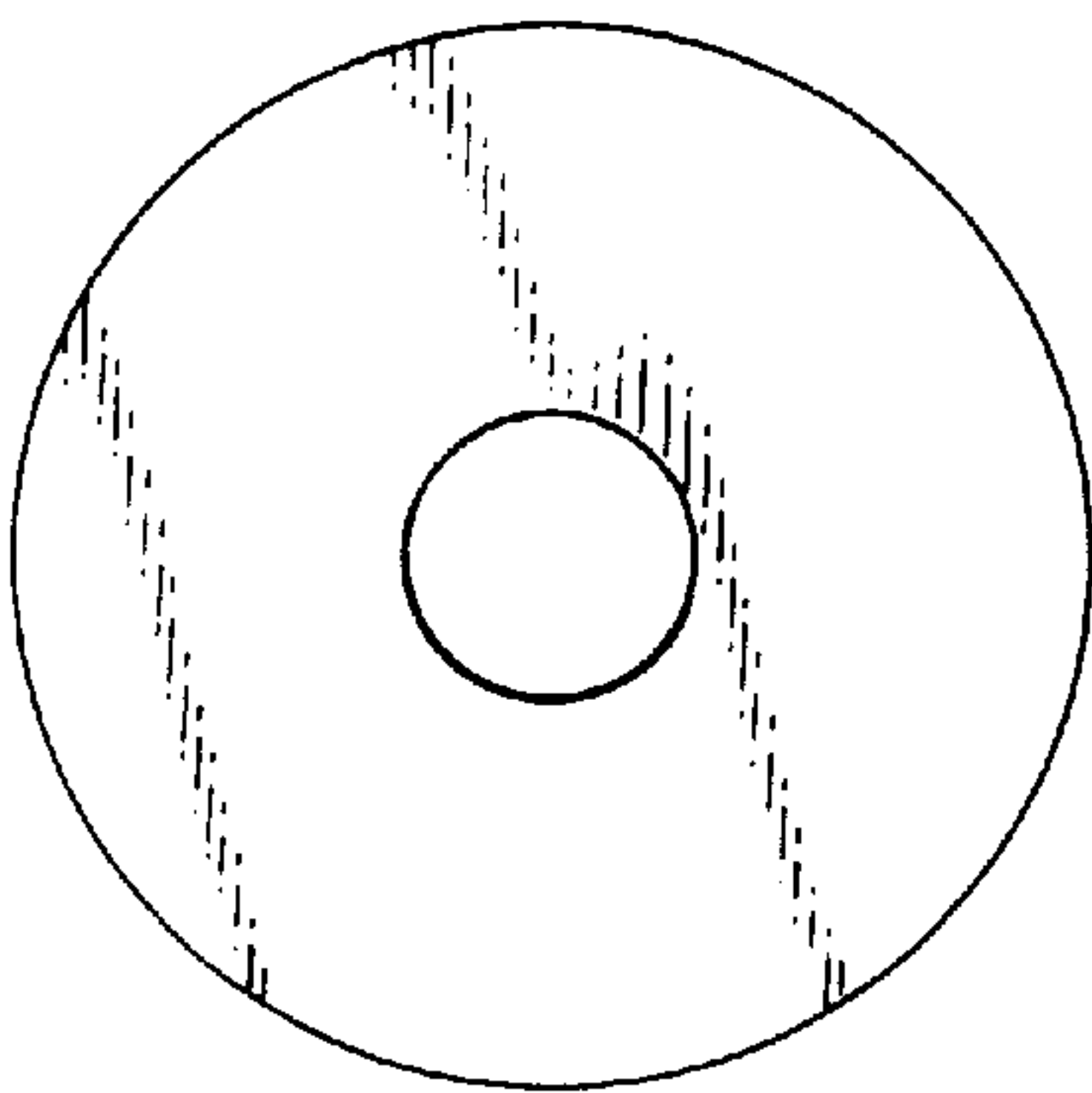


FIG. 6

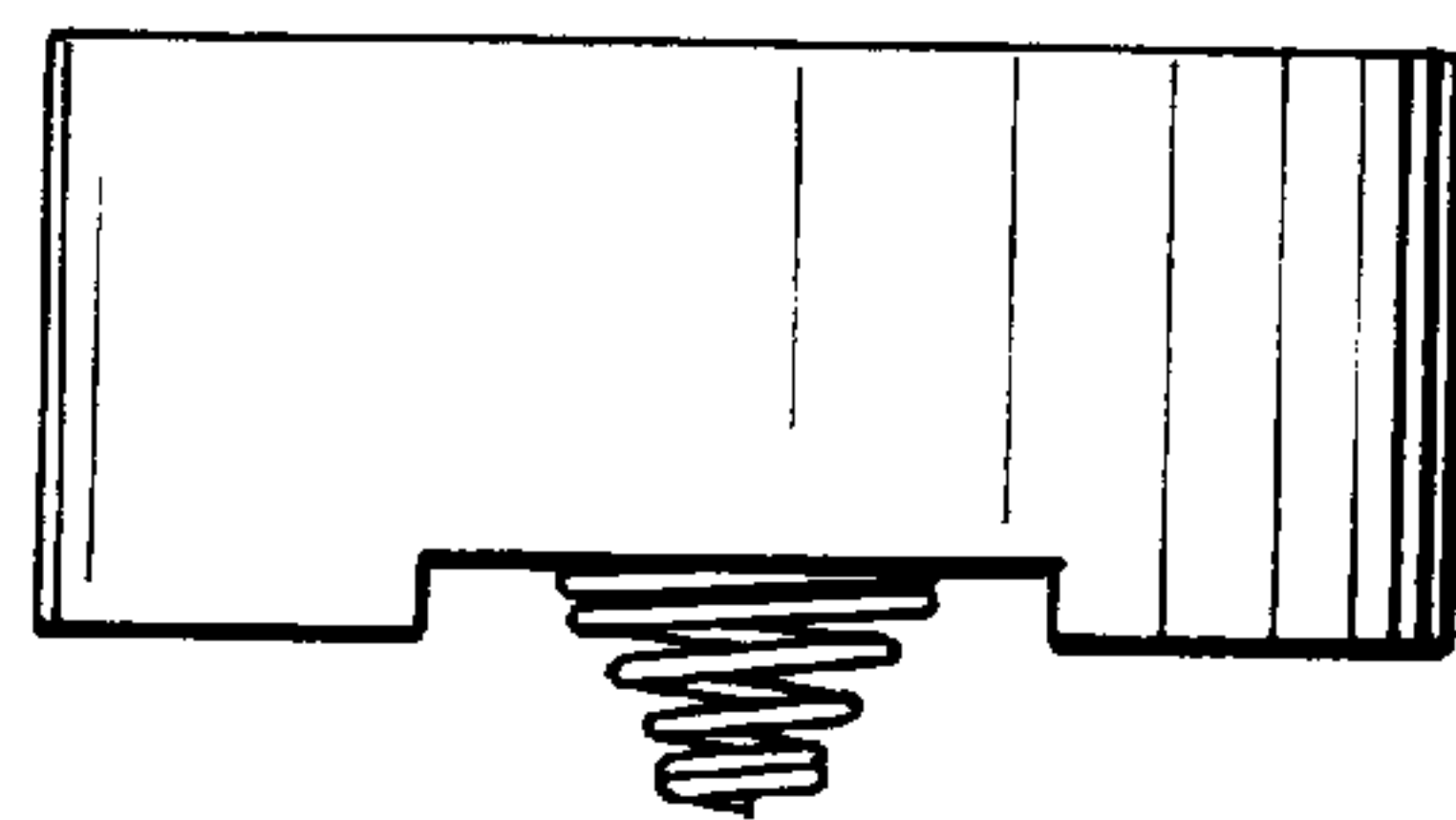


FIG. 3

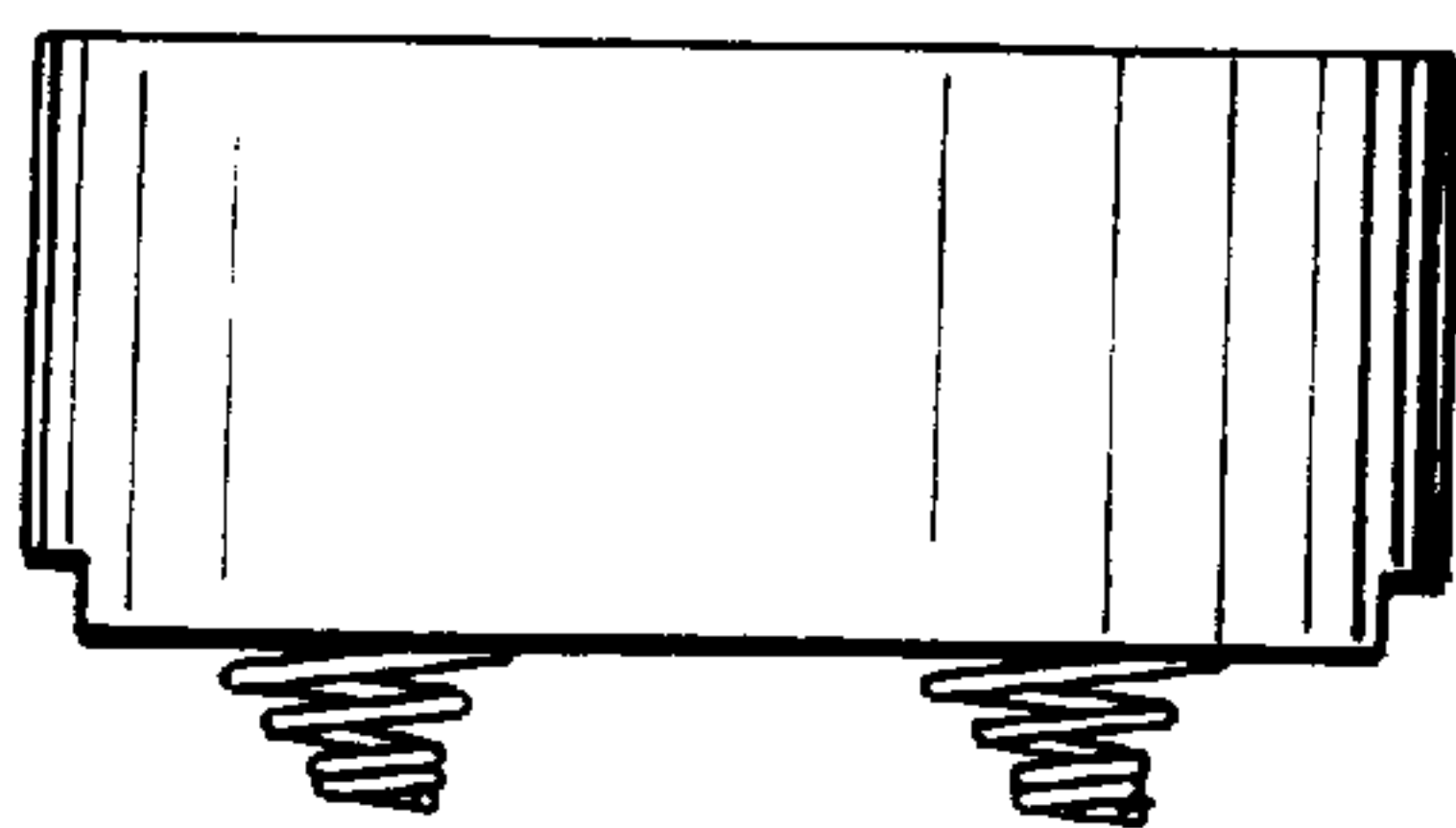


FIG. 7

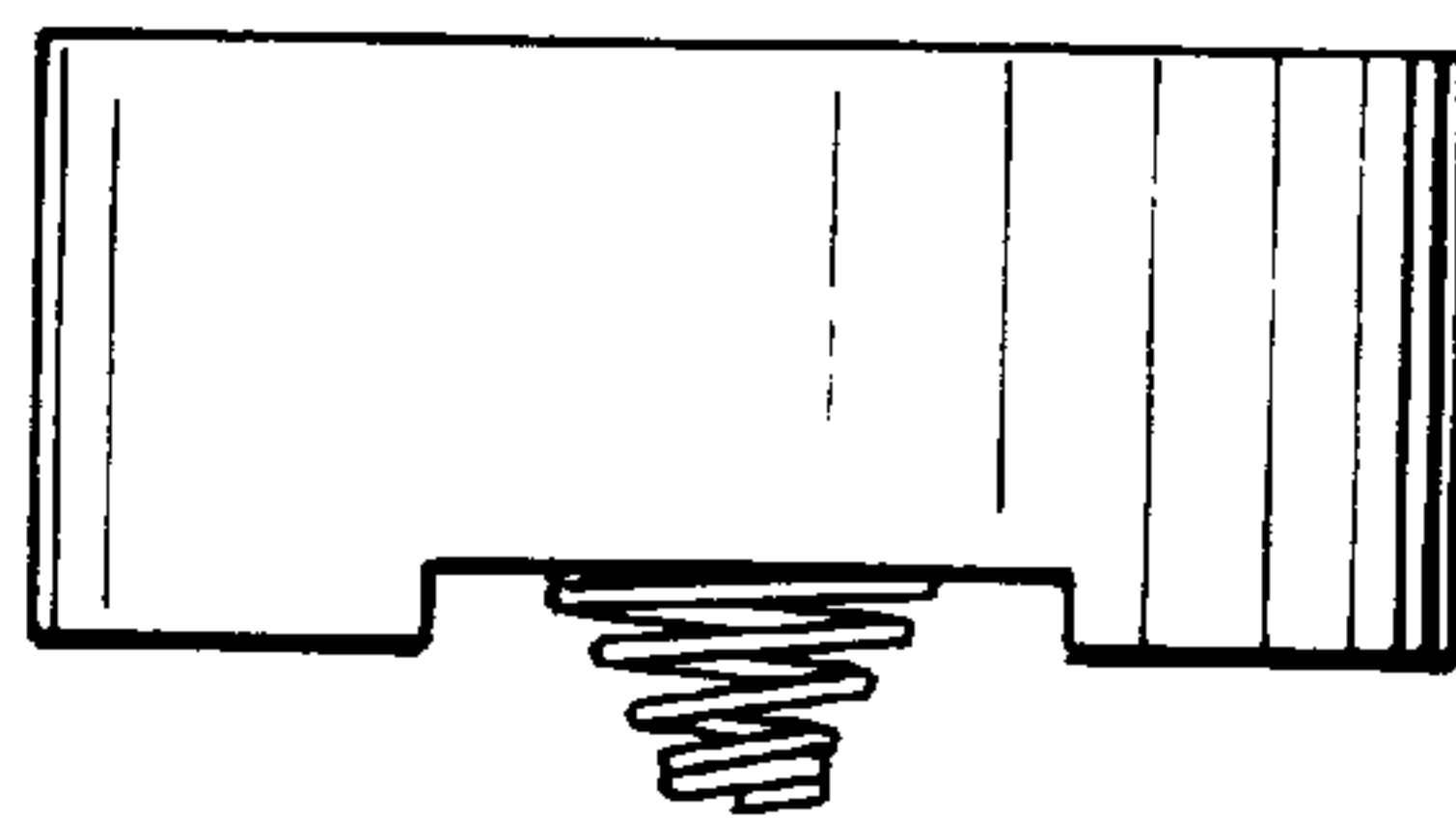


FIG. 5

