



US00D436544S

(12) **United States Design Patent**
Song

(10) **Patent No.:** **US D436,544 S**

(45) **Date of Patent:** **** Jan. 23, 2001**

(54) **ABSORPTION TESTING DEVICE OF A VACUUM CLEANER**

(76) **Inventor:** **Young-So Song**, 5-103 Kaepo 1-cha
Woosung Apt., 503 Daechi-dong,
Kangnam-gu, Seoul, 135-280 (KR)

(**) **Term:** **14 Years**

(21) **Appl. No.:** **29/119,241**

(22) **Filed:** **Feb. 24, 2000**

(51) **LOC (7) Cl.** **10-04**

(52) **U.S. Cl.** **D10/83**

(58) **Field of Search** D10/46, 83; 15/326,
15/339, 405

(56) **References Cited**

U.S. PATENT DOCUMENTS

6,105,205 * 8/2000 Takahashi et al. 15/339

* cited by examiner

Primary Examiner—Antoine Duval Davis
(74) *Attorney, Agent, or Firm*—R. Neil Sudol; Henry D. Coleman; William J. Sapone

(57) **CLAIM**

The ornamental design for an absorption testing device of a vacuum cleaner, as shown and described.

DESCRIPTION

FIG. 1 is a perspective view of an absorption testing device of a vacuum cleaner, showing new design;
FIG. 2 is a front view thereof;
FIG. 3 is a rear view thereof;
FIG. 4 is a left-side view thereof;
FIG. 5 is a right-side view thereof;
FIG. 6 is a top view thereof; and,
FIG. 7 is a bottom view thereof.

1 Claim, 3 Drawing Sheets

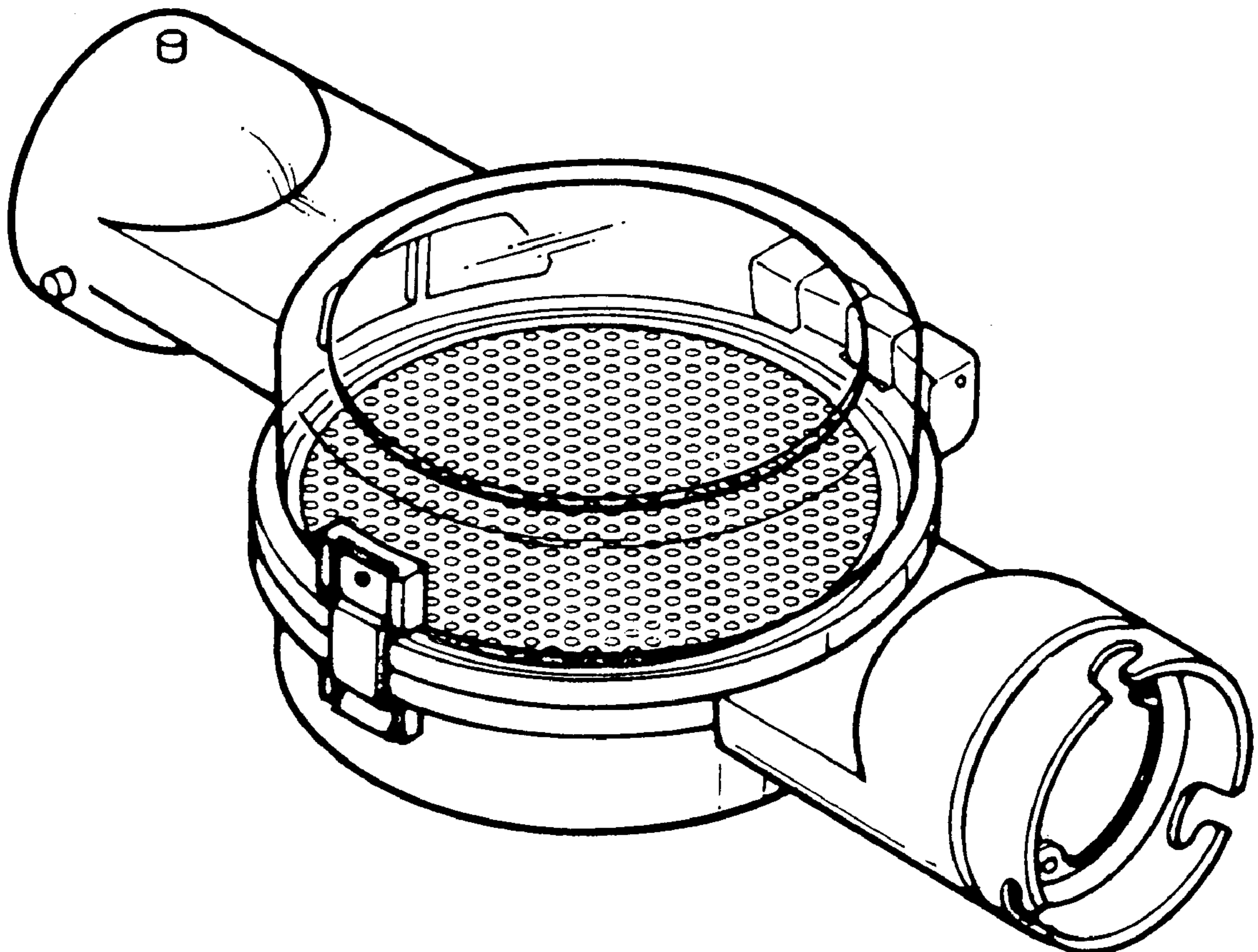


FIG. 1

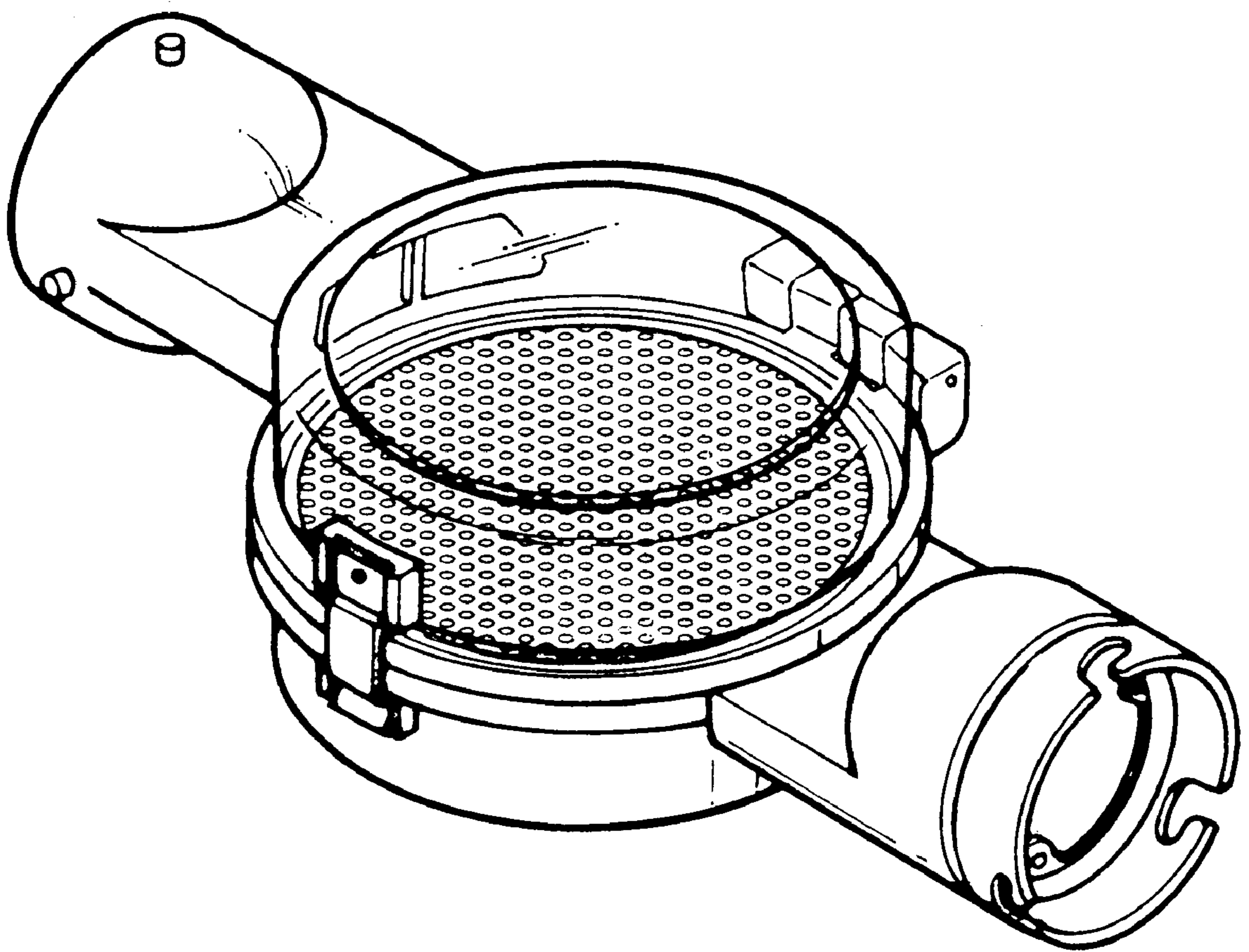


FIG. 2

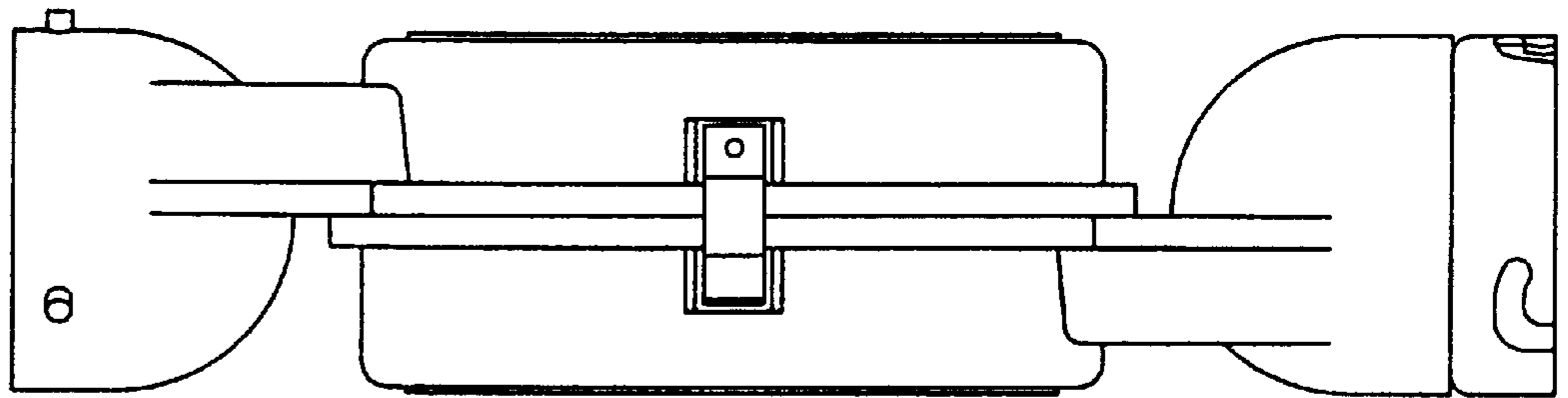


FIG. 3

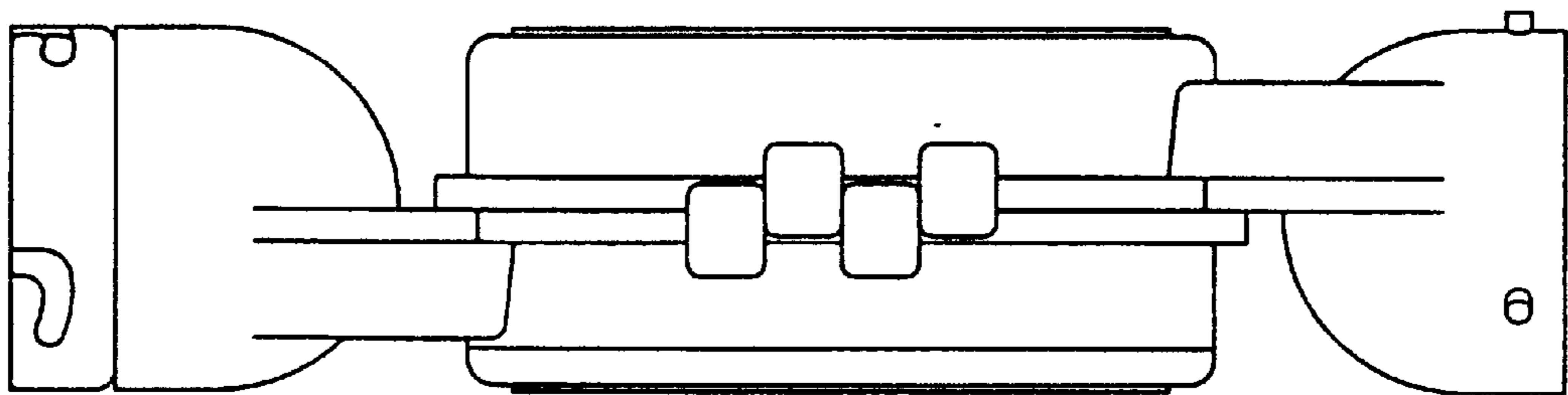


FIG. 4

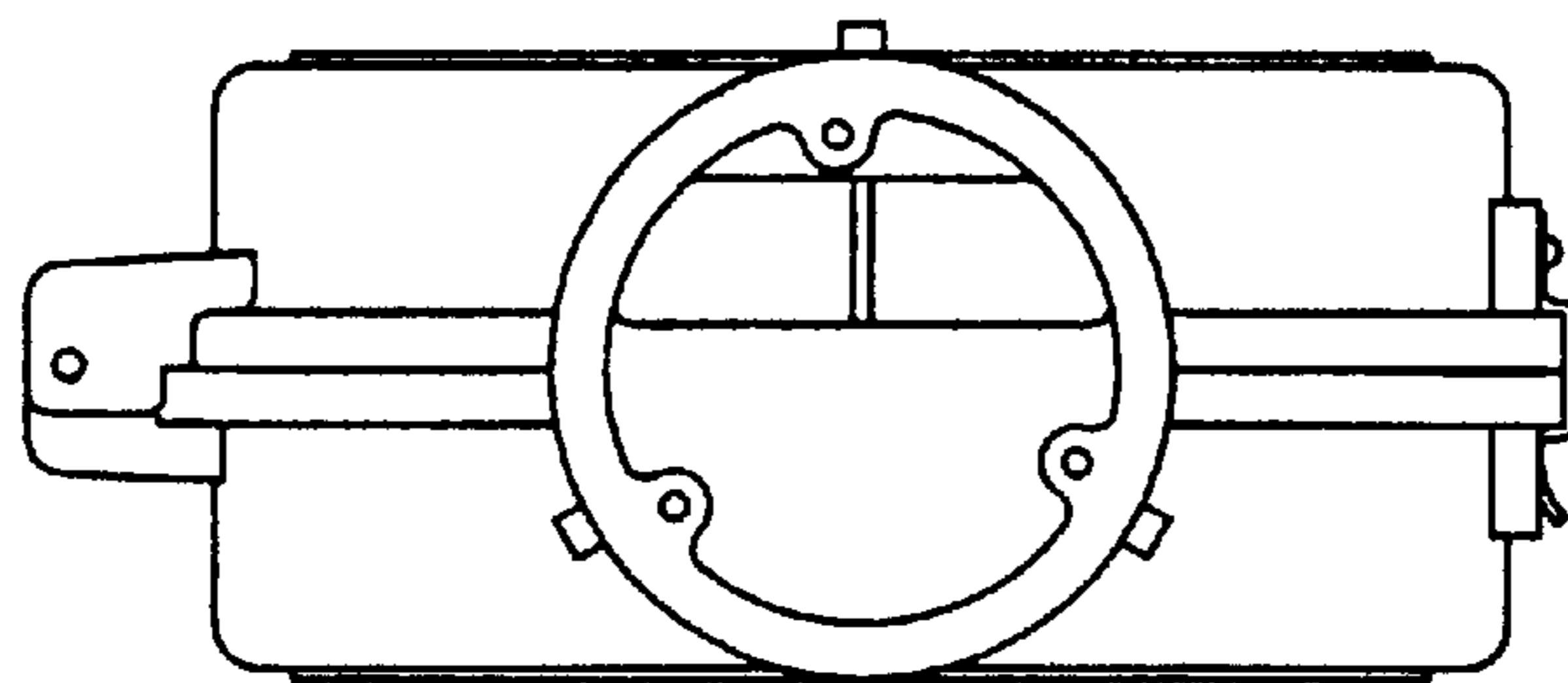


FIG. 5

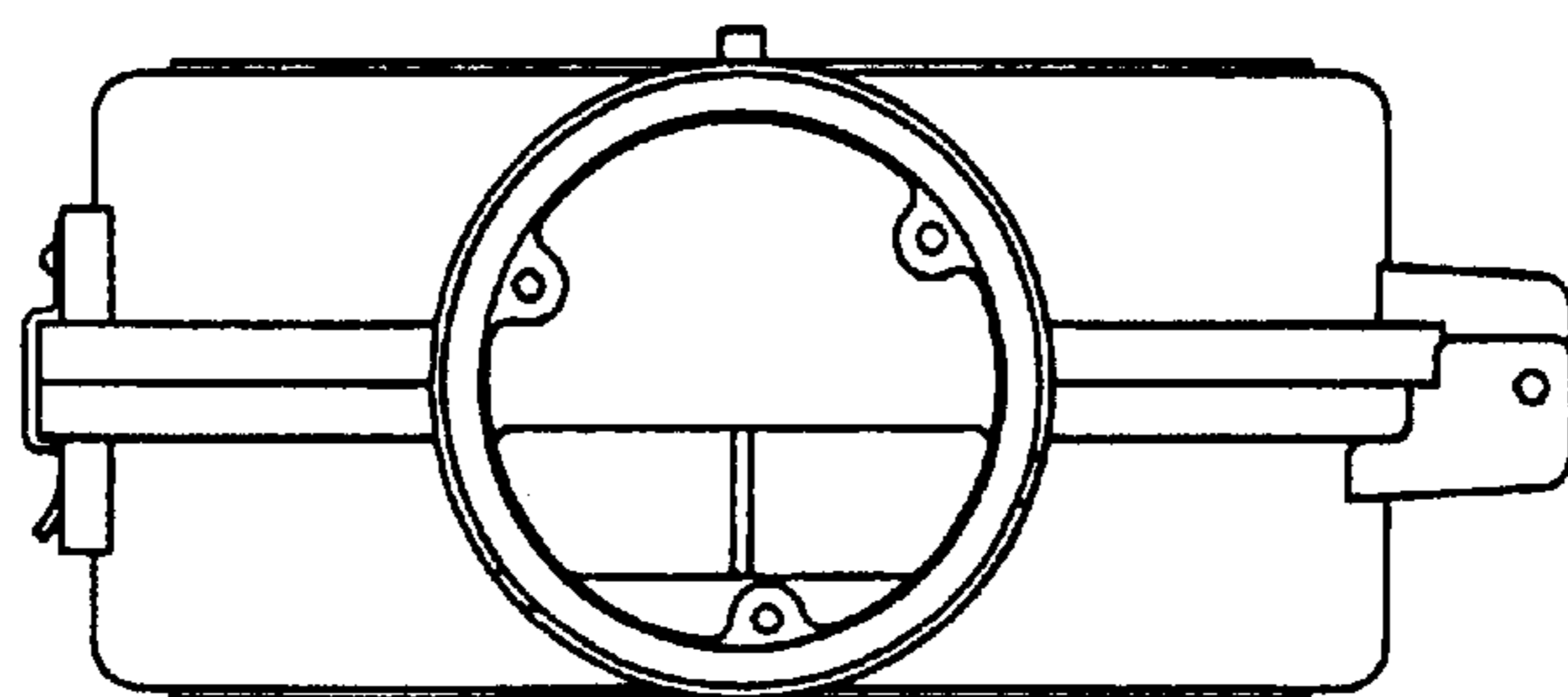


FIG. 6

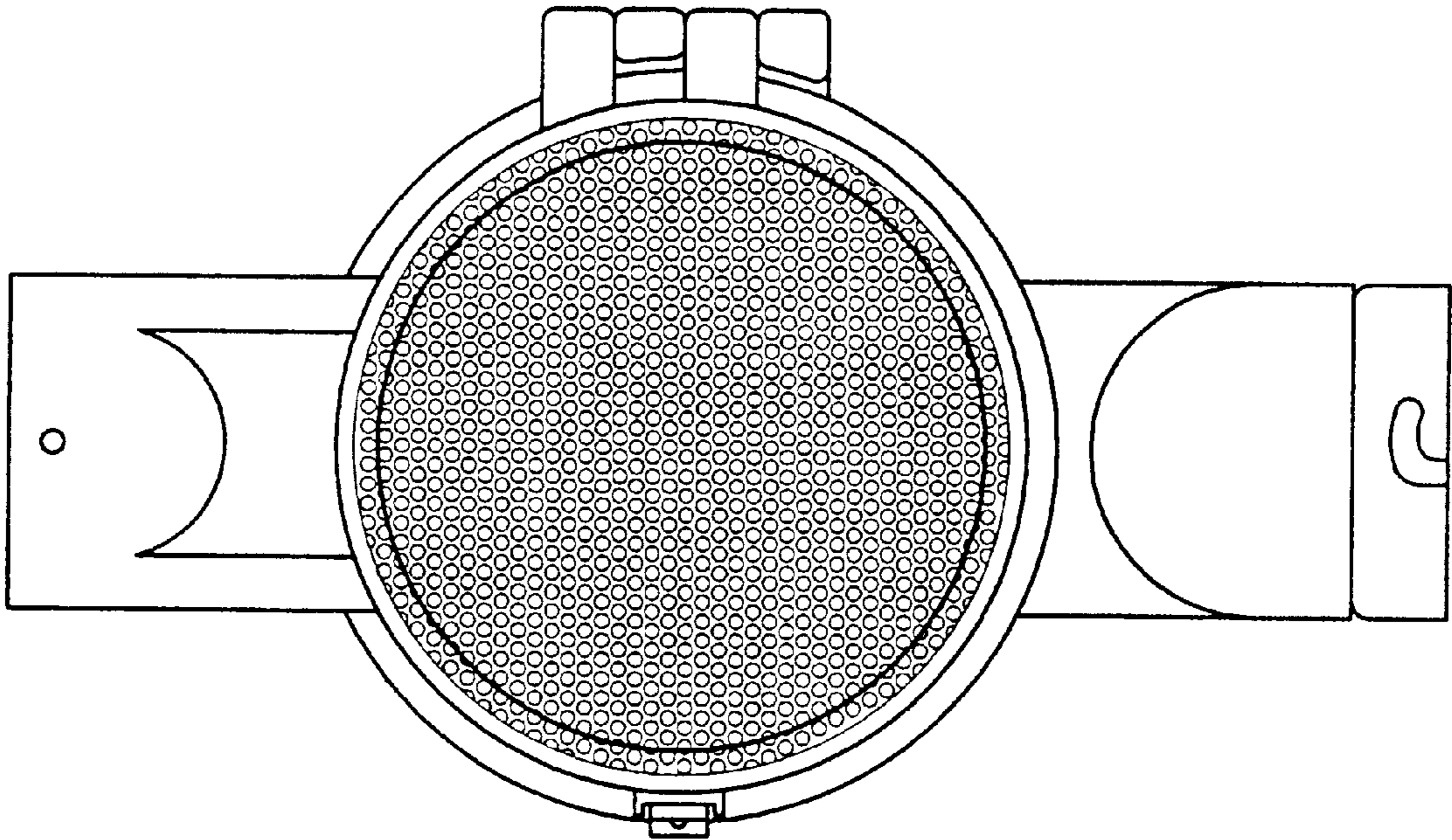
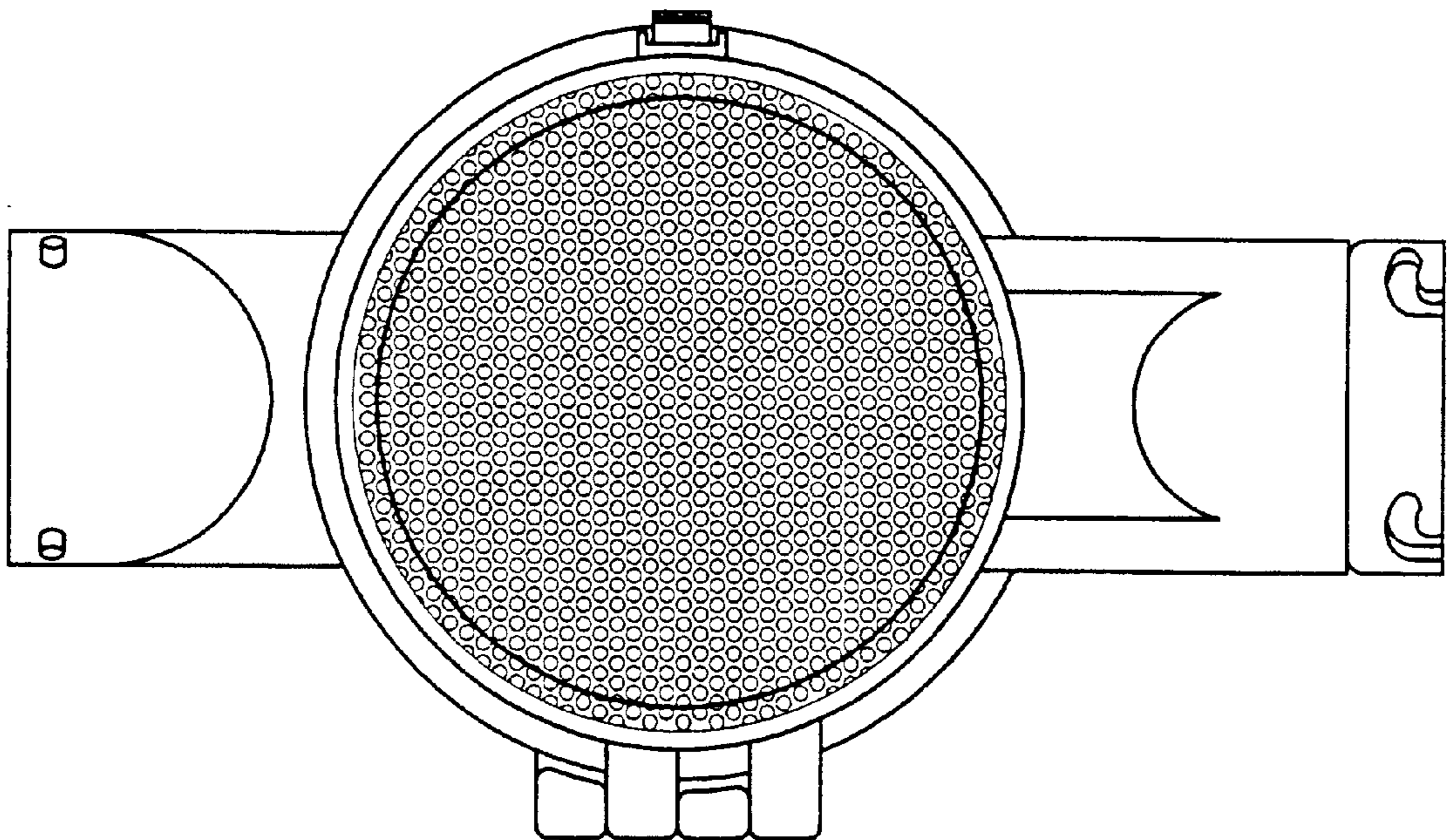


FIG. 7





US00D436544C1

(12) **EX PARTE REEXAMINATION CERTIFICATE (5035th)**
United States Patent
Song

(10) Number: **US D436,544 C1**
 (45) Certificate Issued: **Dec. 7, 2004**

(54) **ABSORPTION TESTING DEVICE OF A VACUUM CLEANER**

(75) Inventor: **Young-So Song**, 5-103 Kaepo 1-cha
 Woosung Apt., 503 Daechi-dong,
 Kangnam-gu, Seoul, 135-280 (KR)

(73) Assignee: **Young-So Song**, Seoul (KR)

Reexamination Request:

No. 90/006,629, May 8, 2003

Reexamination Certificate for:

Patent No.: **Des. 436,544**
 Issued: **Jan. 23, 2001**
 Appl. No.: **29/119,241**
 Filed: **Feb. 24, 2000 10-04**

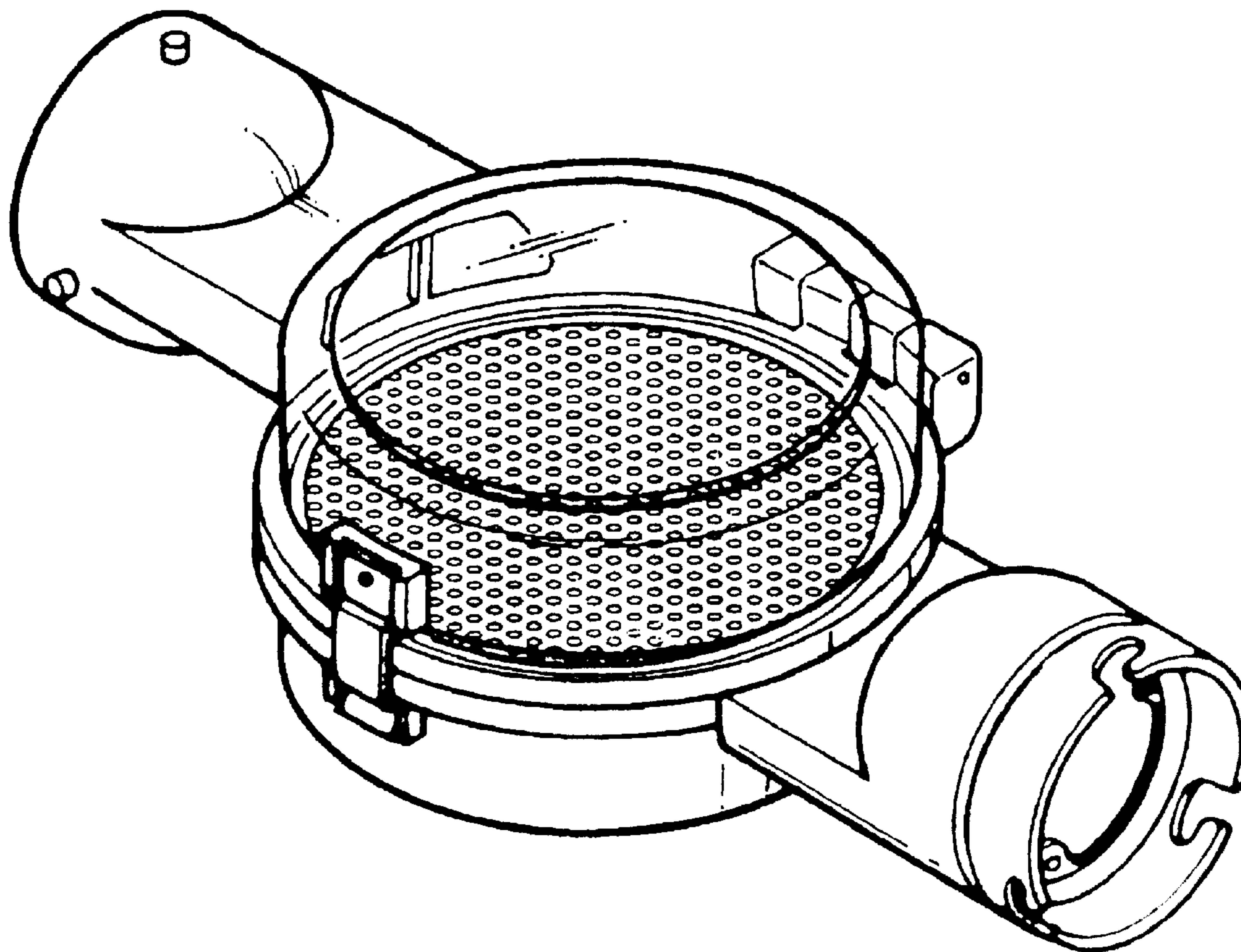
(51) LOC (7) Cl. **10-04**

(52) U.S. Cl. **D10/83**
 (58) Field of Search D10/46, 83; 15/324,
 15/339, 405; D32/31; 406/36; 55/482

(56) **References Cited**
PUBLICATIONS

Dustscope Instructions, 1993.
Filter Queen News, Feb.–Mar. 1975 issue, selected pages.
Filter Queen News, Winter 1978–79 issue, selected pages.
Filter Queen News, Summer 1978 issue, selected pages.
 “How to Demonstrate the Filter Queen and Close the Sale”
 videotape and four selected photographs from the videotape.
 A set of six Dustscope engineering drawings (#GR. R–7900,
 #GR. R–7901, #PG–79005, #79006, #7981, and #E. 162).

Primary Examiner—M. N. Pandozzi



1
EX PARTE
REEXAMINATION CERTIFICATE
ISSUED UNDER 35 U.S.C. 307
THE PATENT IS HEREBY
AMENDED AS INDICATED
BELOW.

2
AS A RESULT OF REEXAMINATION, IT HAS BEEN
DETERMINED THAT:

The single claim is cancelled.

5

* * * * *