



US00D436543S

(12) **United States Design Patent**  
**Douglas**

(10) **Patent No.:** **US D436,543 S**

(45) **Date of Patent:** **\*\* Jan. 23, 2001**

(54) **SQUARE TOOL WITH TAPE MEASURE**

(76) Inventor: **Dennis Douglas**, 687 S. Jefferson St.,  
#B, Napa, CA (US) 94559

(\*\*) Term: **14 Years**

(21) Appl. No.: **29/123,627**

(22) Filed: **May 22, 2000**

**Related U.S. Application Data**

(63) Continuation of application No. 09/054,224, filed on Apr. 2,  
1998.

(51) **LOC (7) Cl.** ..... **10-04**

(52) **U.S. Cl.** ..... **D10/62**

(58) **Field of Search** ..... D10/62, 65, 72;  
33/769, 760, 429, 451, 460, 470, 480, 476,  
DIG. 21

(56) **References Cited**

**U.S. PATENT DOCUMENTS**

- D. 332,413 1/1993 Douglas .
- D. 333,103 2/1993 Douglas .
- D. 349,462 8/1994 Douglas .

*Primary Examiner*—Antoine Duval Davis

(74) *Attorney, Agent, or Firm*—Jack Lo

(57) **CLAIM**

The ornamental design for a square tool with tape measure,  
as shown and described.

**DESCRIPTION**

FIG. 1 is a front perspective view of a square tool with tape  
measure showing my new design.

FIG. 2 is a front view thereof.

FIG. 3 is a rear view thereof.

FIG. 4 is a top view thereof.

FIG. 5 is a bottom view thereof.

FIG. 6 is a right side view thereof.

FIG. 7 is a left side view thereof.

FIG. 8 is a front perspective view of a second embodiment  
of the square tool with tape measure showing my new  
design.

FIG. 9 is a front view thereof.

FIG. 10 is a rear view thereof.

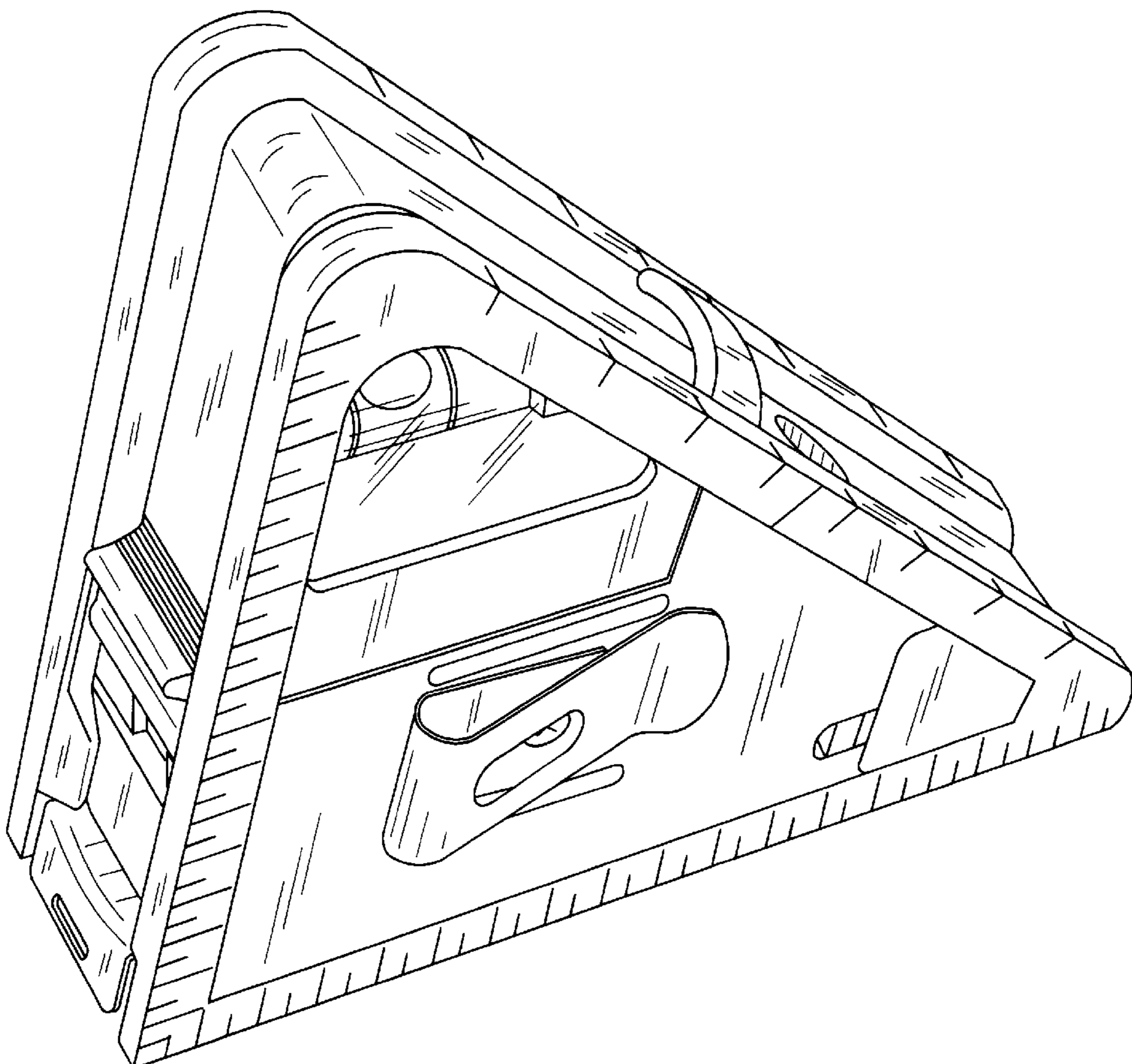
FIG. 11 is a top view thereof.

FIG. 12 is a bottom view thereof.

FIG. 13 is a right side view thereof; and,

FIG. 14 is a left side view thereof.

**1 Claim, 10 Drawing Sheets**



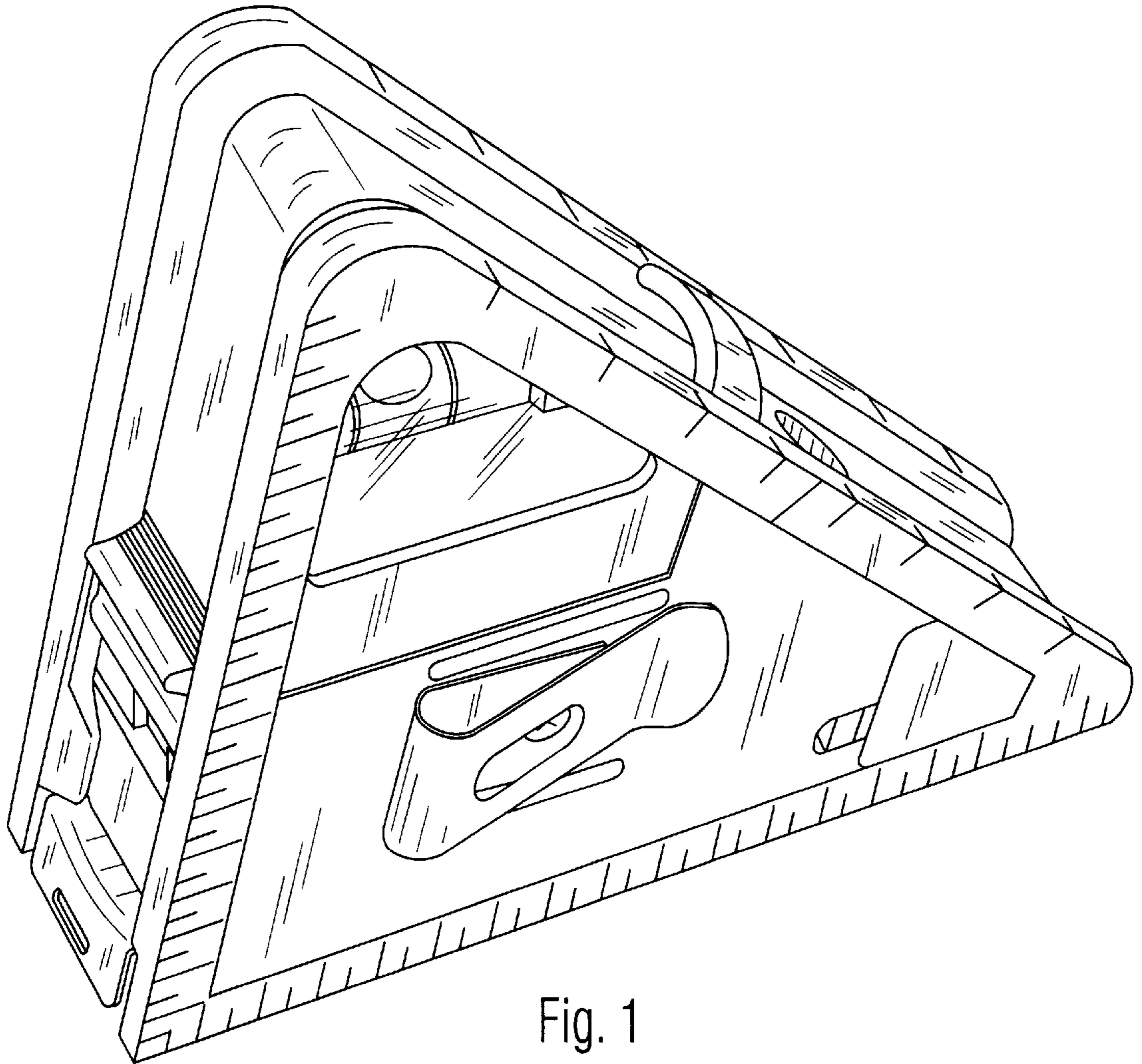


Fig. 1

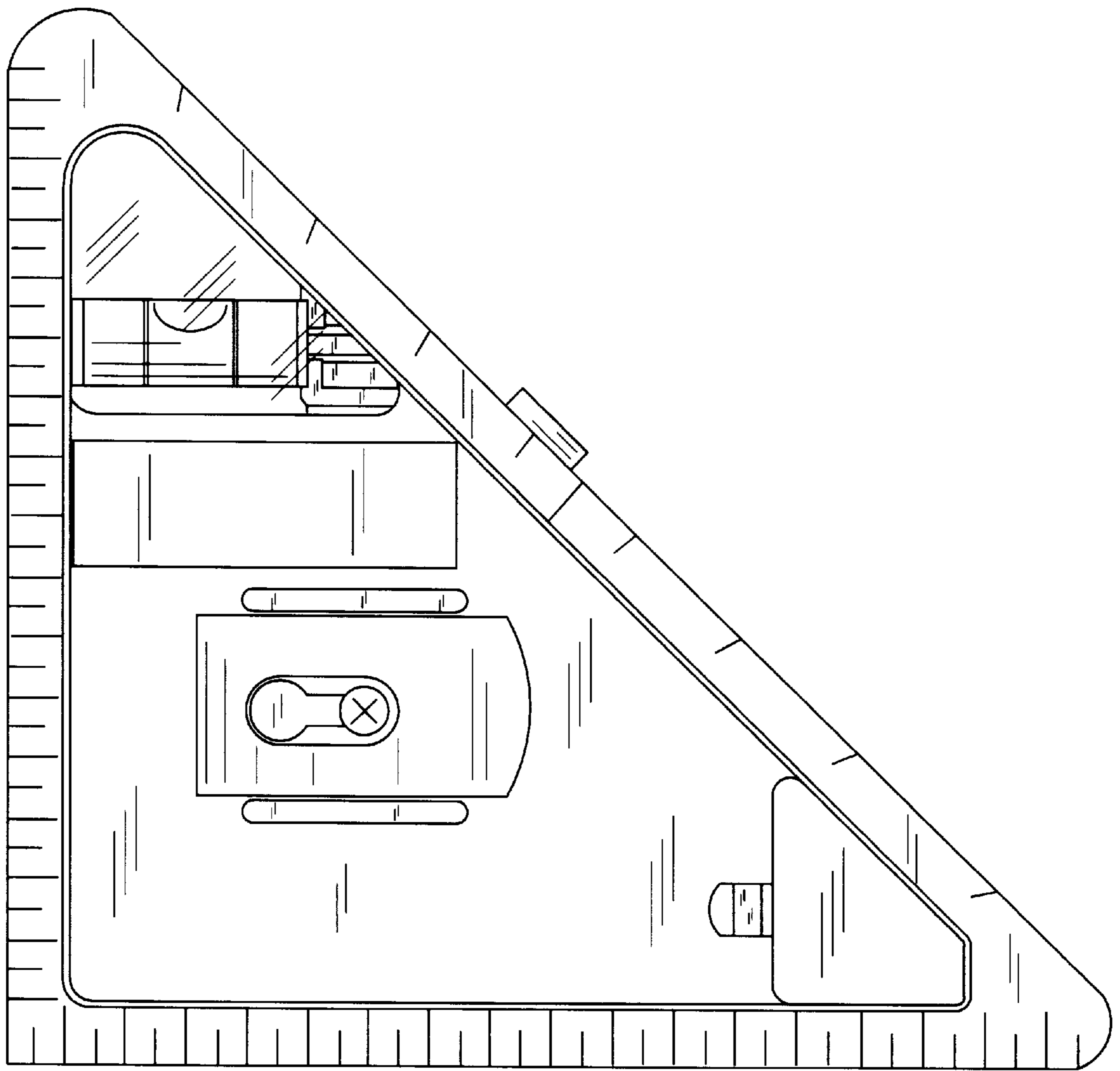


Fig. 2

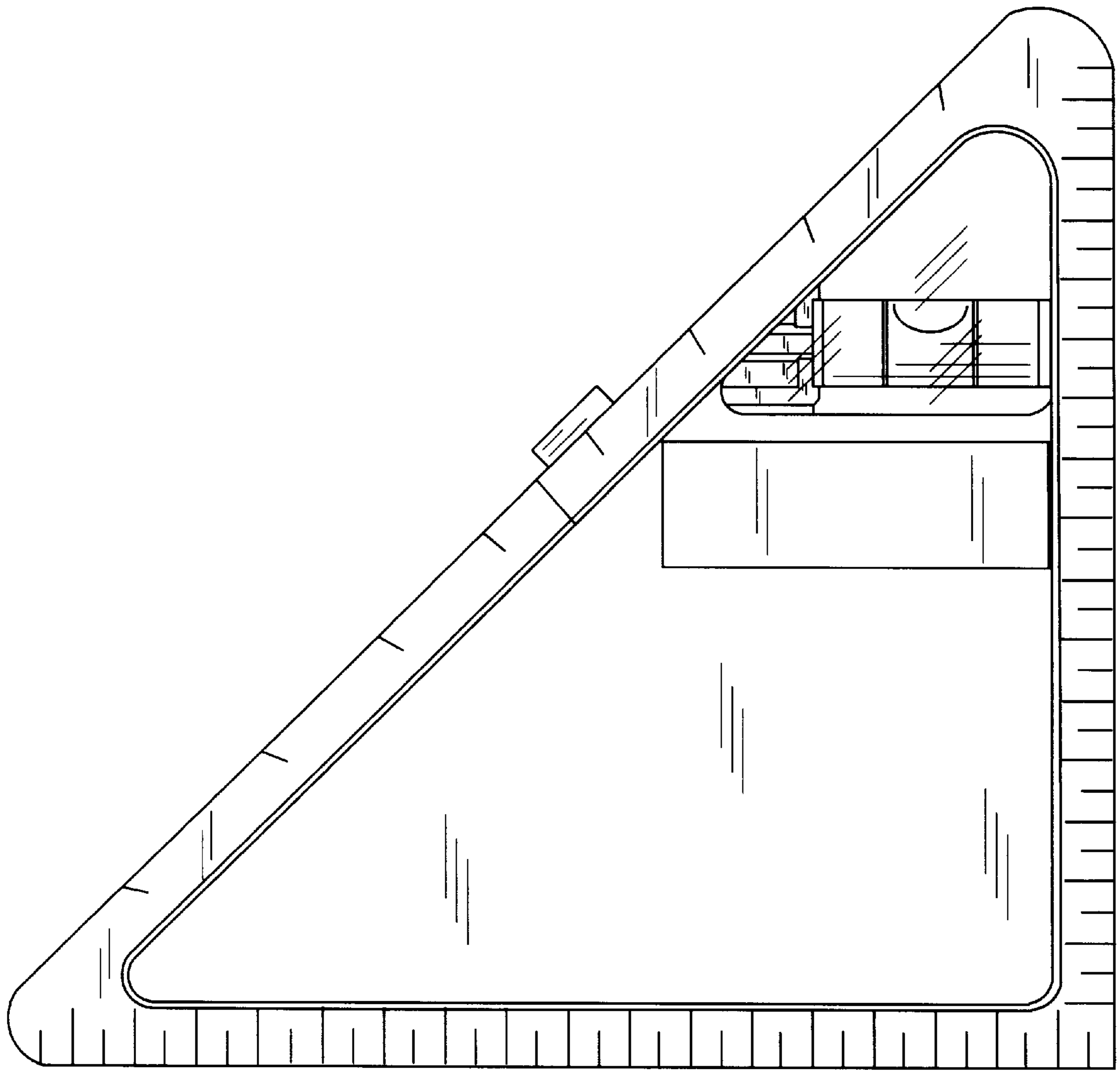


Fig. 3

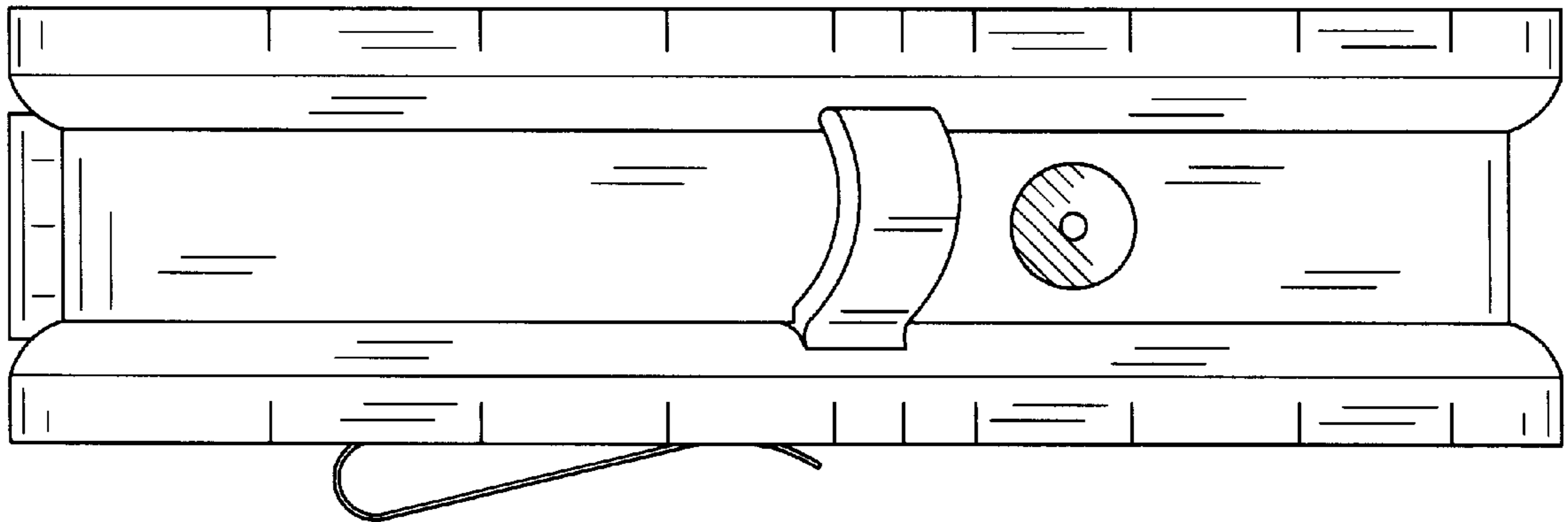


Fig. 4

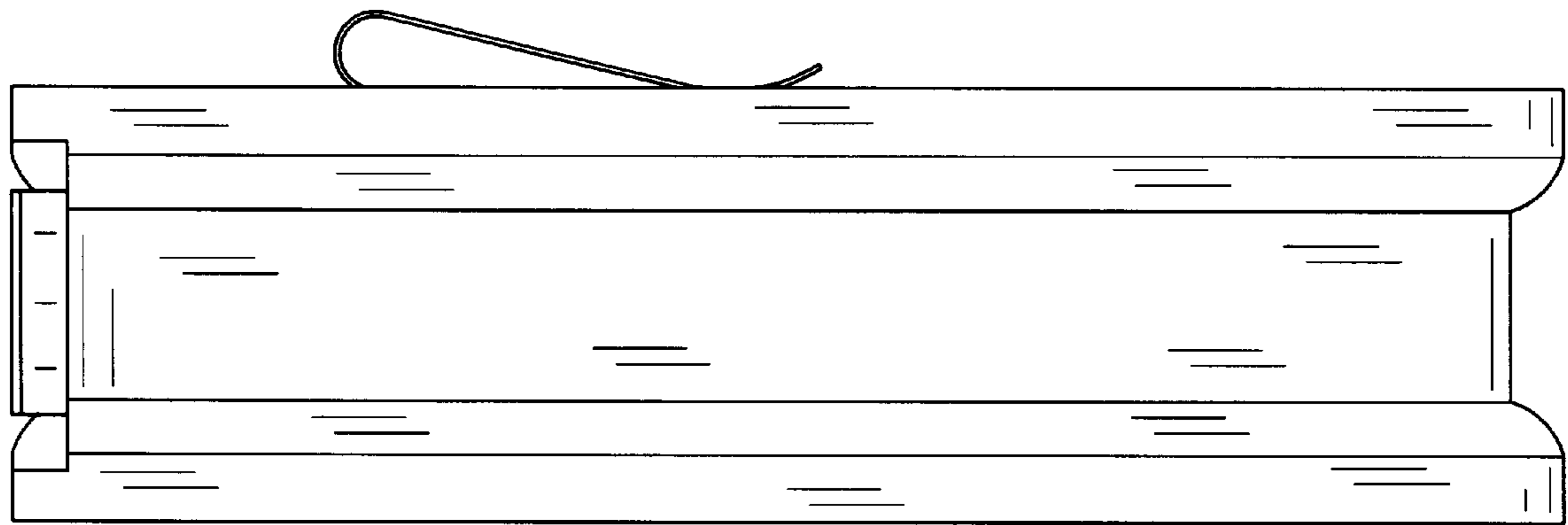


Fig. 5

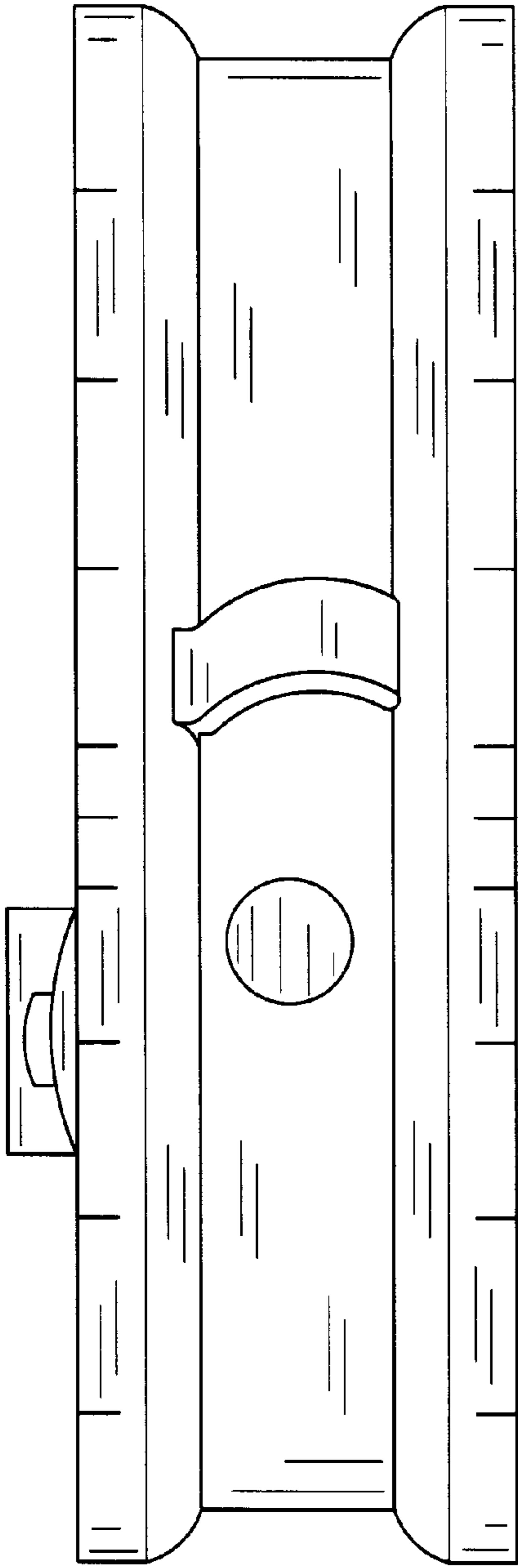


Fig. 6

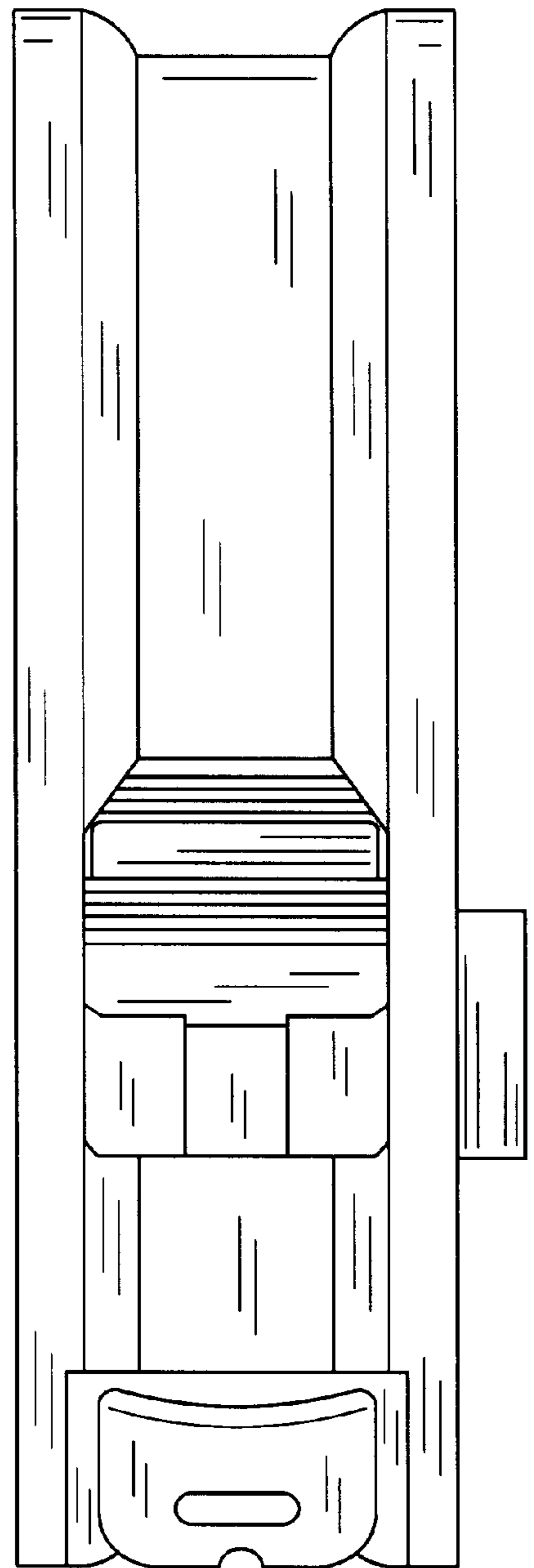


Fig. 7

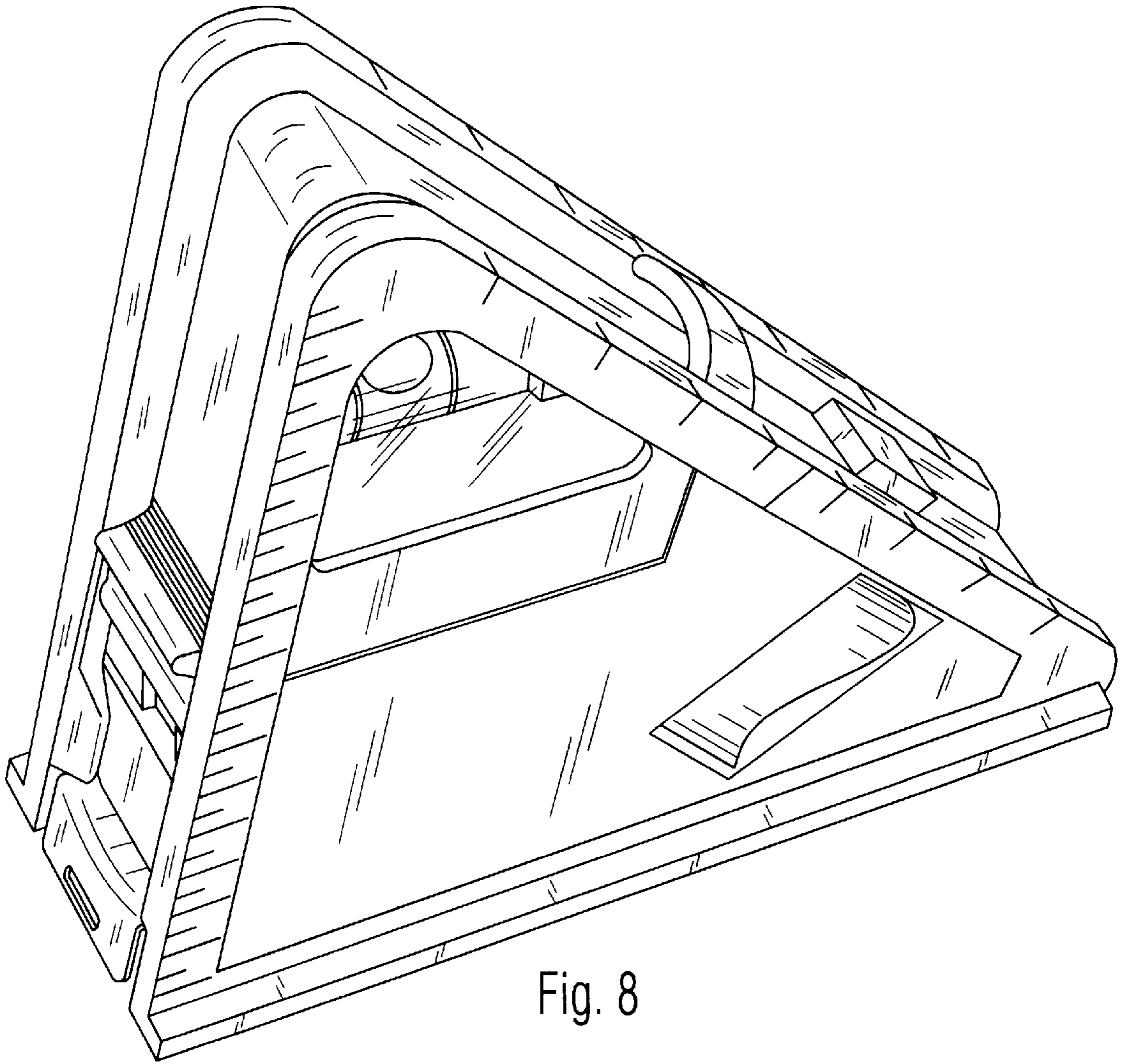


Fig. 8

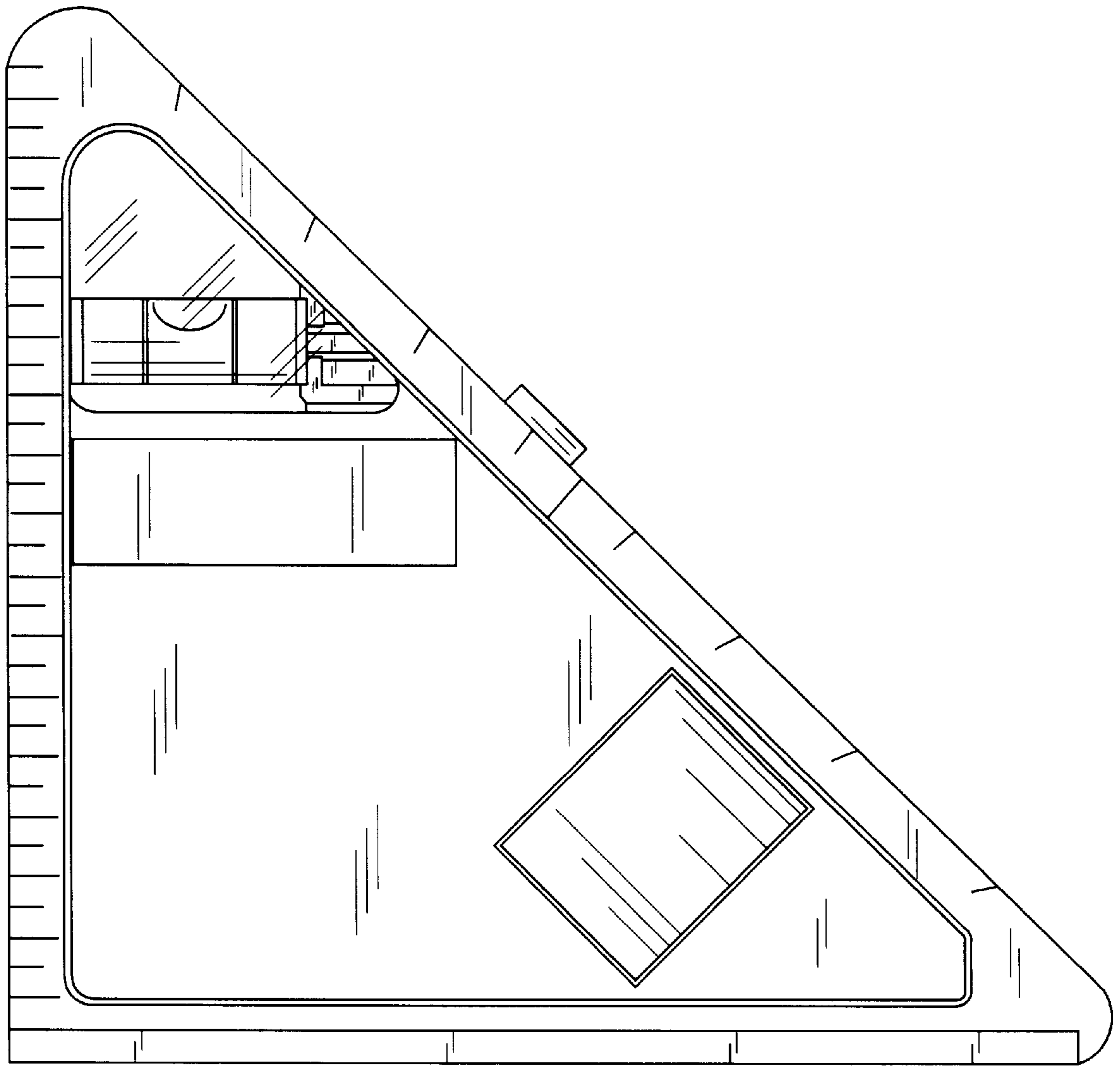


Fig. 9



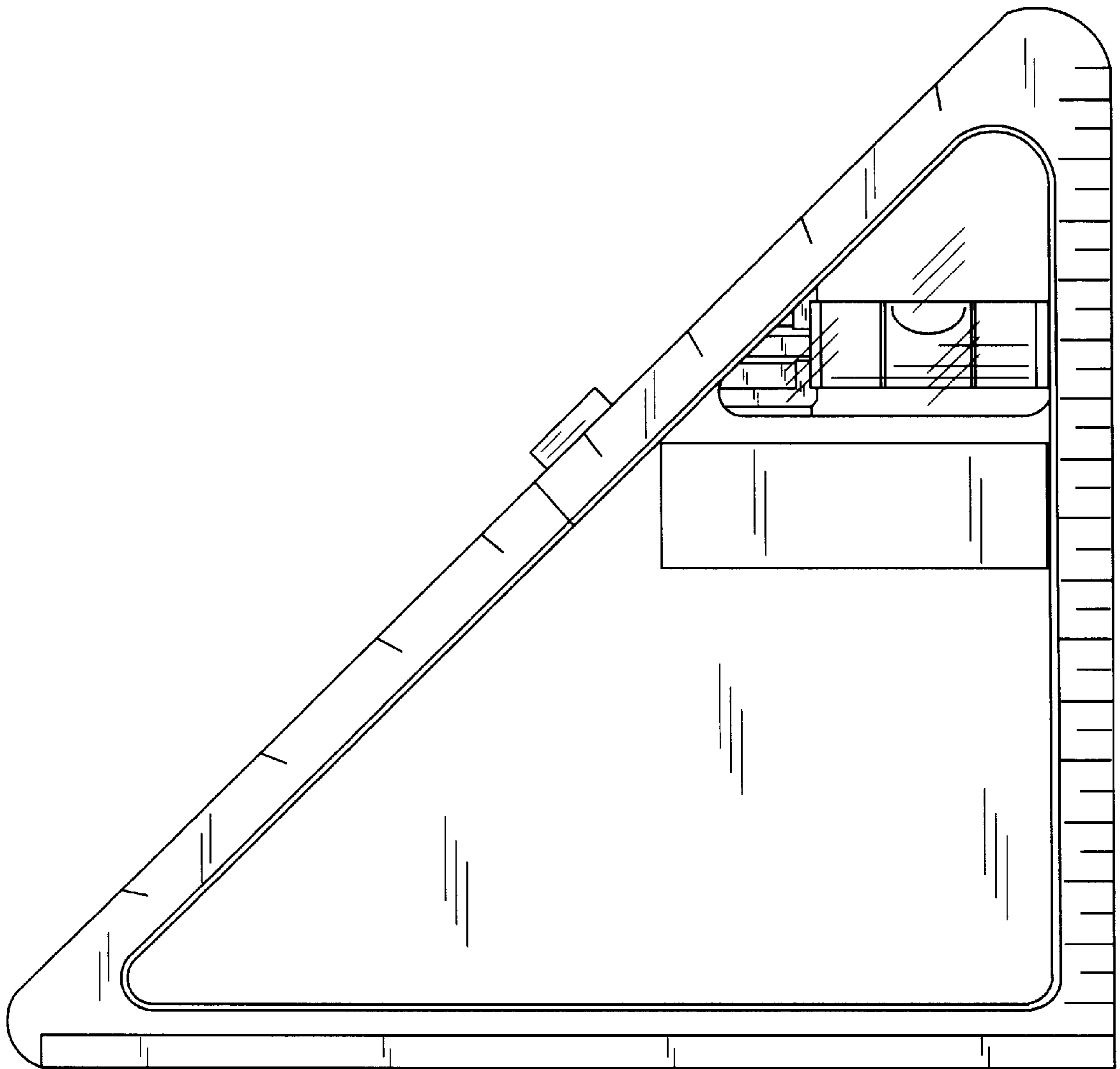


Fig. 10

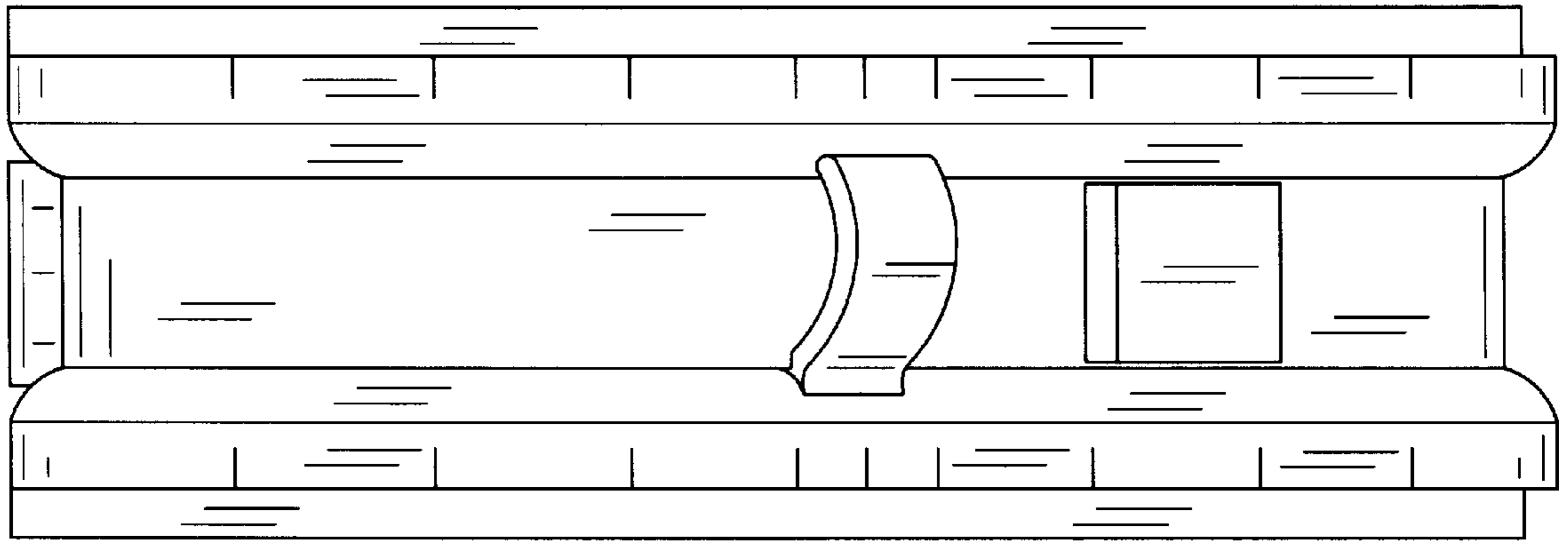


Fig. 11

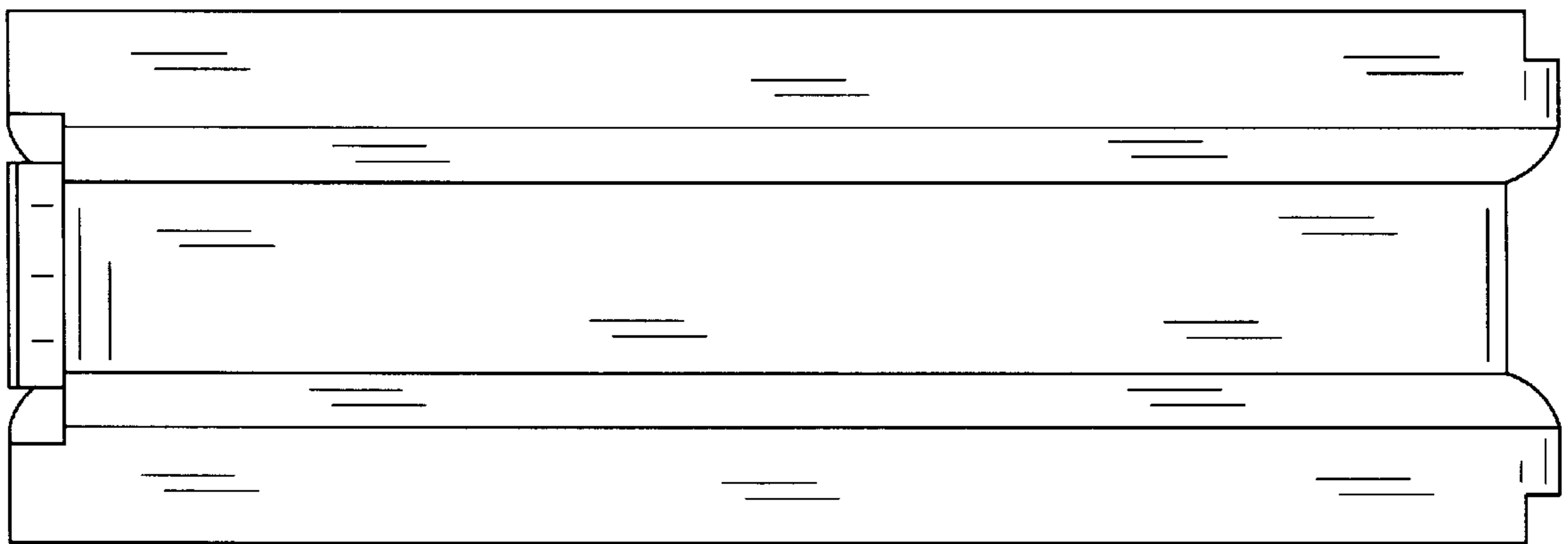


Fig. 12

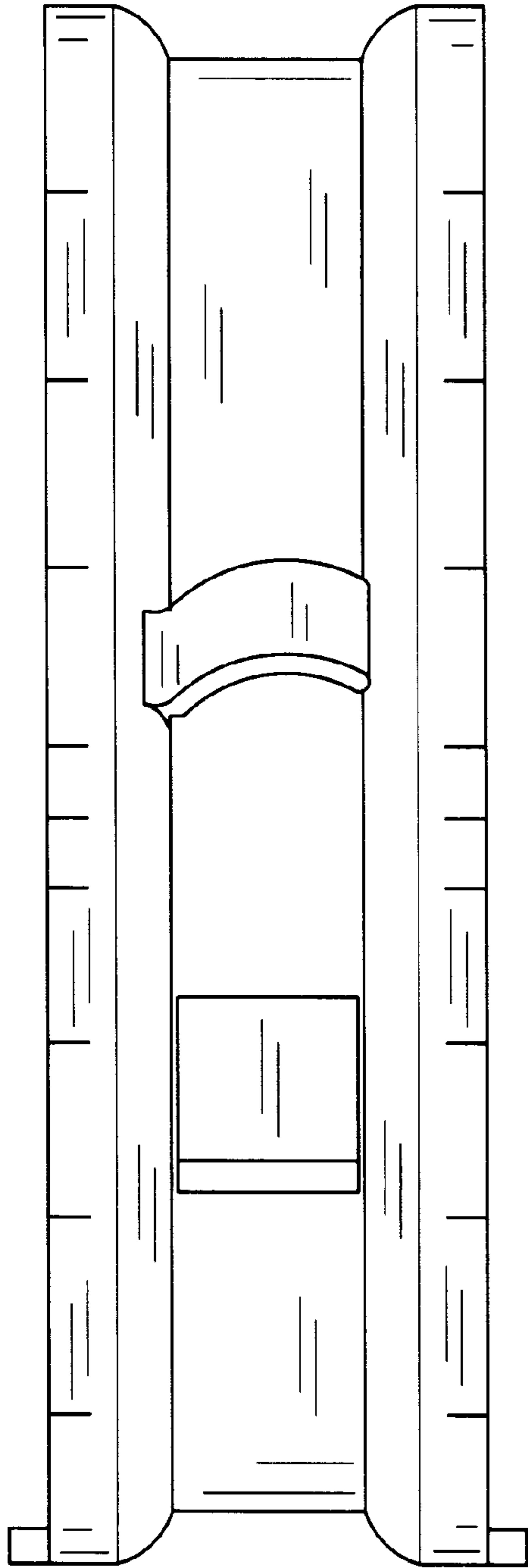


Fig. 13

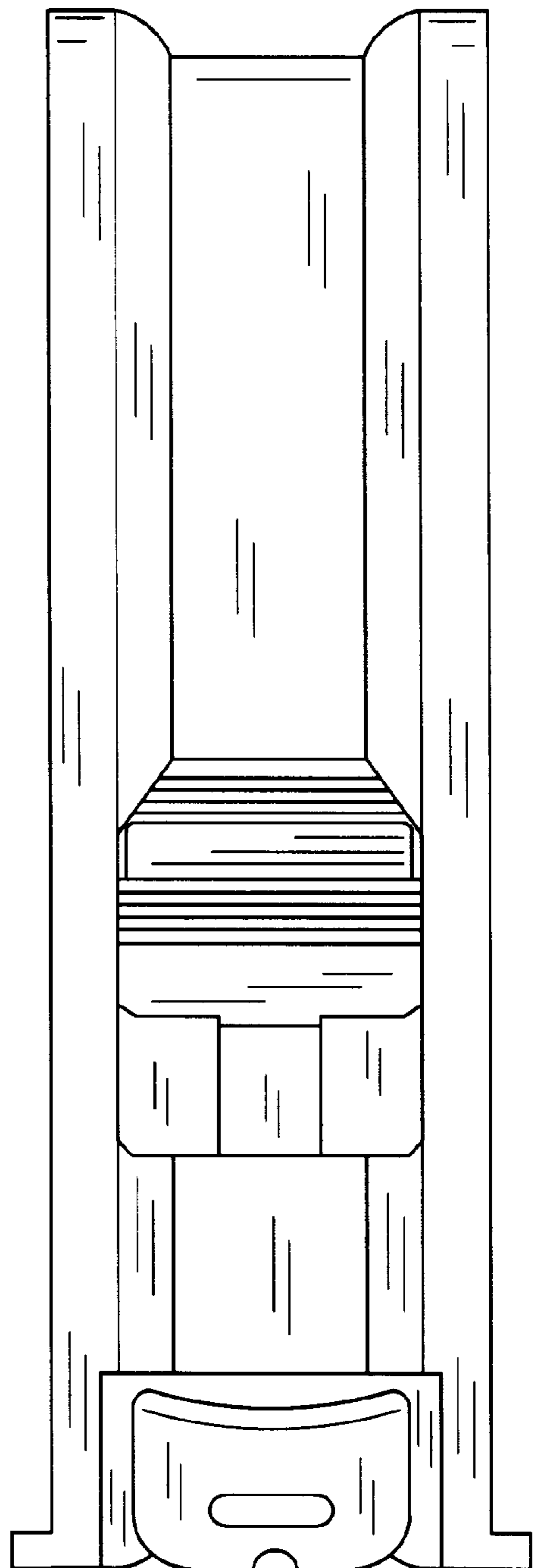


Fig. 14