



US00D436542S

(12) **United States Design Patent**
Osborne

(10) **Patent No.:** **US D436,542 S**

(45) **Date of Patent:** **** Jan. 23, 2001**

(54) **WEATHER VANE**

(76) Inventor: **Lee R. Osborne**, c/o Ceramic Technology, Inc., 275 Wardell Industrial Park, Cedar Bluff, VA (US) 24609

(**) Term: **14 Years**

(21) Appl. No.: **29/118,887**

(22) Filed: **Feb. 18, 2000**

(51) **LOC (7) Cl.** **10-04**

(52) **U.S. Cl.** **D10/59**

(58) **Field of Search** D10/59; 73/188, 73/189, 170.05-170.08, 170.11, 178 R, 861.74; 116/773

(56) **References Cited**

U.S. PATENT DOCUMENTS

D. 52,340 * 8/1918 Mohrmann D10/59

OTHER PUBLICATIONS

No. 411 Good Morning, Hagerstrom Metalcraft Studio, cover, 1922.*

Golden Roosters, Old Guilfort Forge, p. 41, 1922.*

* cited by examiner

Primary Examiner—Antoine Duval Davis

(74) *Attorney, Agent, or Firm*—Sughrue, Mion, Zinn, Macpeak & Seas, PLLC

(57) **CLAIM**

The ornamental design for a weather vane, as shown.

DESCRIPTION

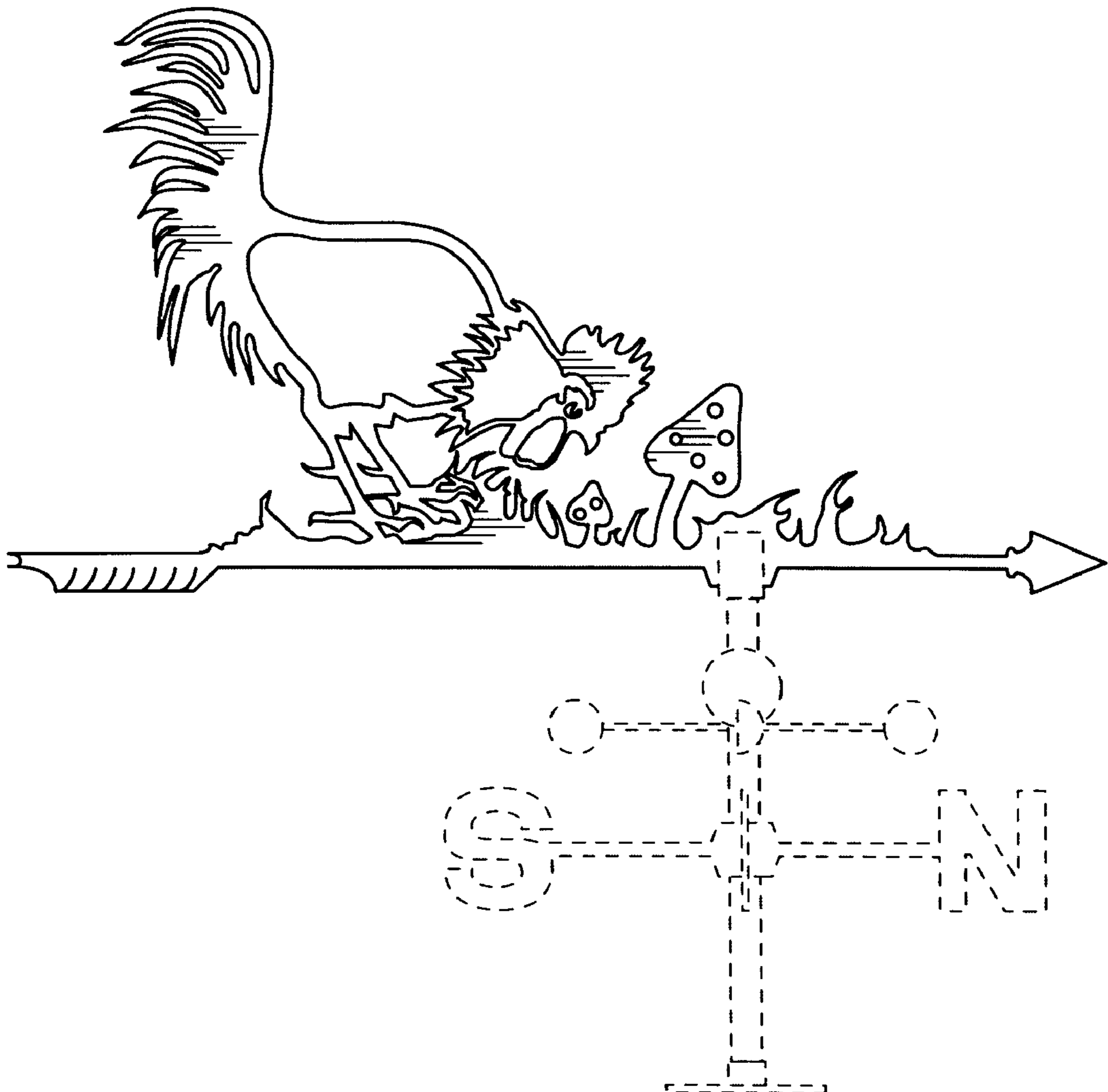
FIG. 1 is a front elevational view of a weather vane showing my new design;

FIG. 2 is a side elevational view thereof; and,

FIG. 3 is a top plan view thereof.

The broken line showing is for illustrative purposes only and forms no part of the claimed design.

1 Claim, 1 Drawing Sheet



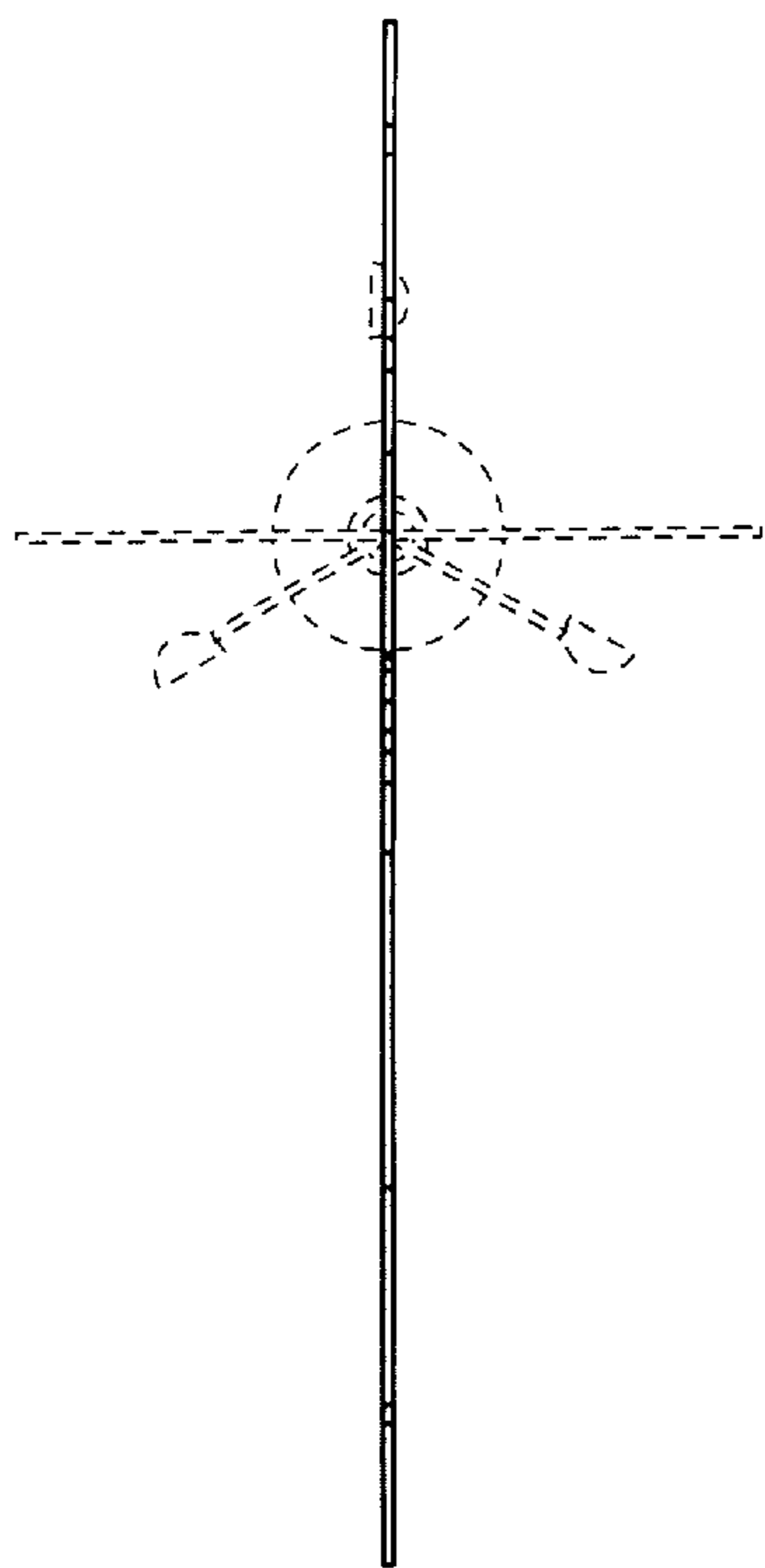


FIG. 3

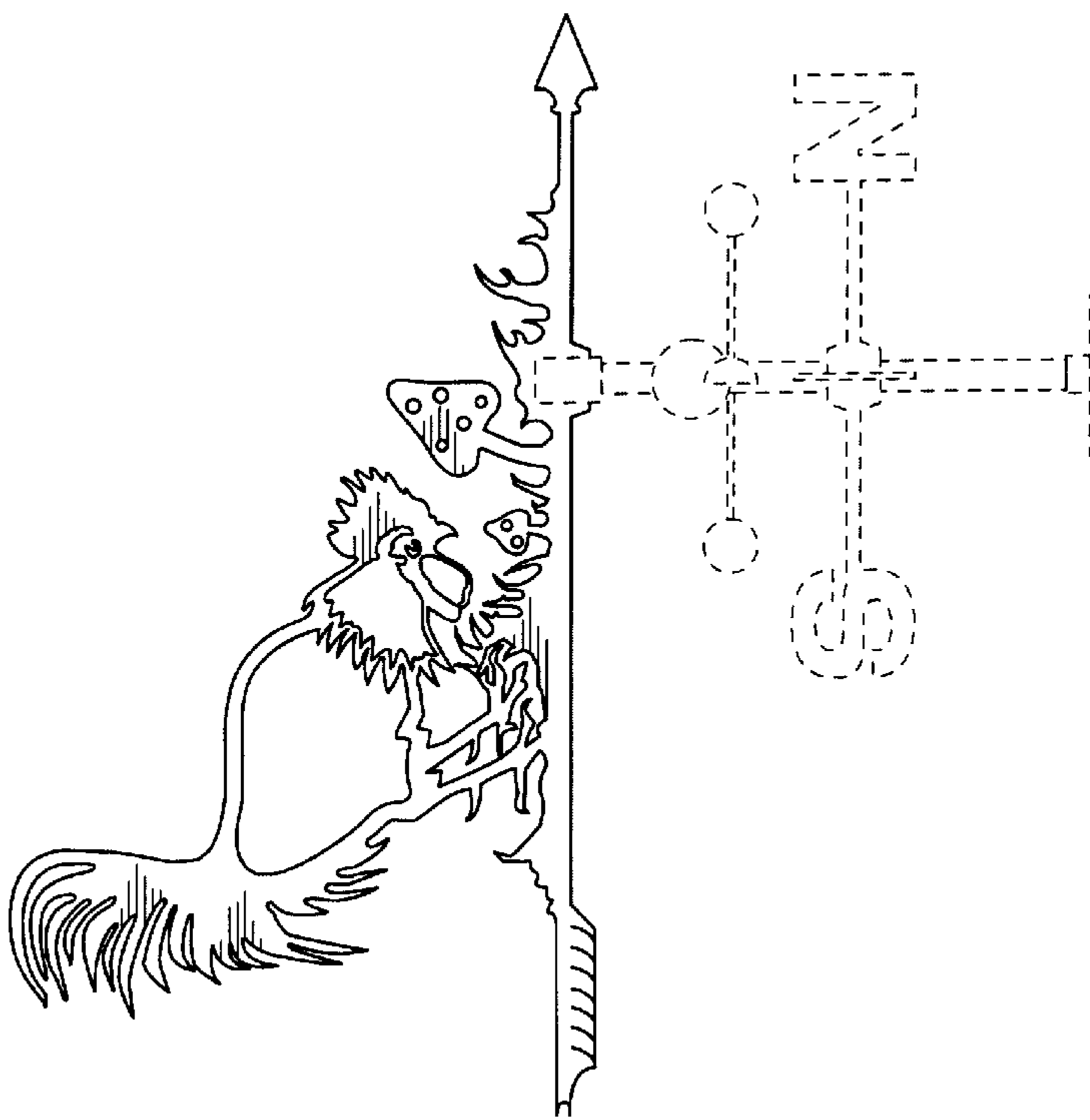


FIG. 1

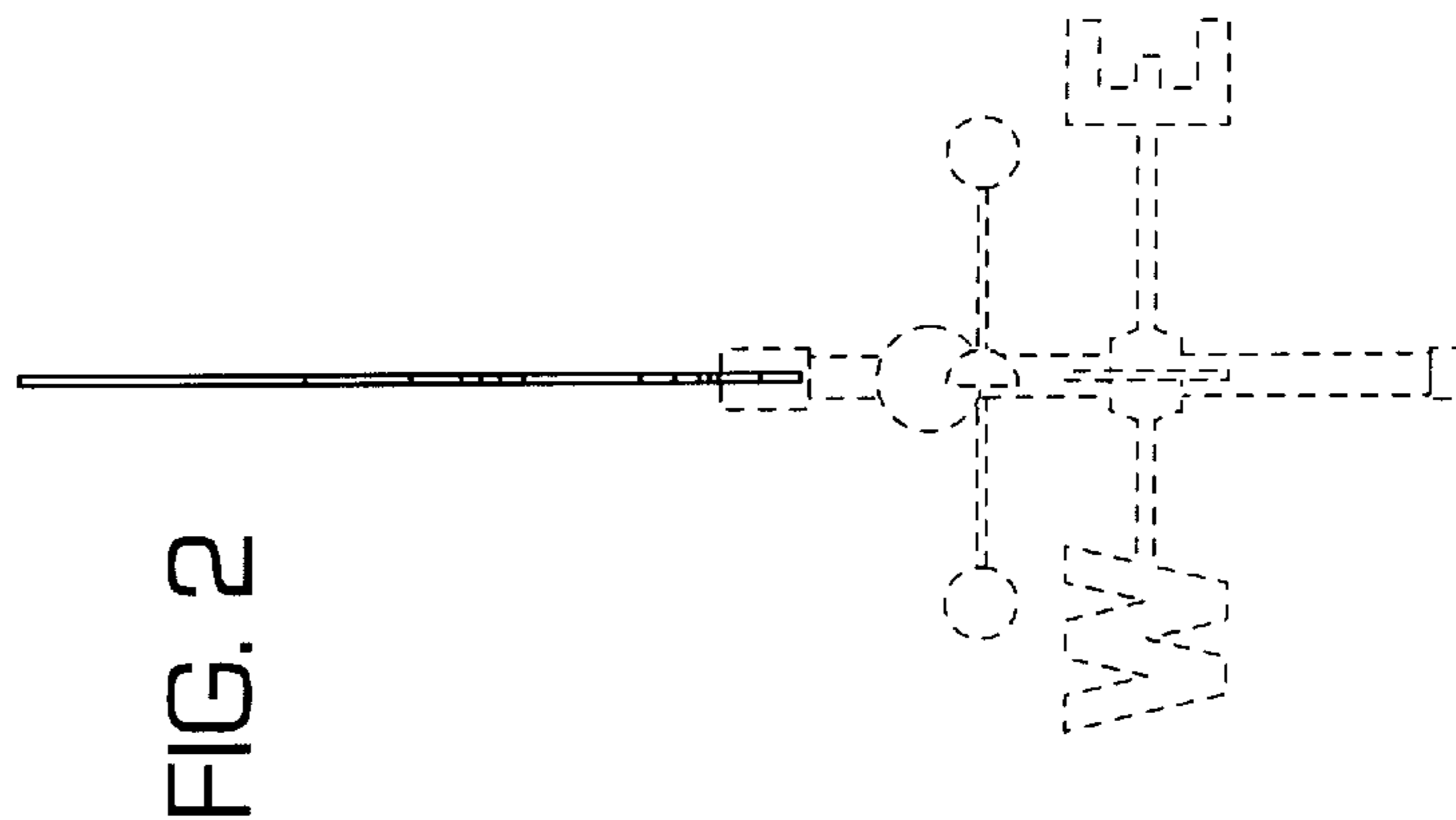


FIG. 2