



US00D436539S

(12) **United States Design Patent**
Spreitzer et al.

(10) **Patent No.:** **US D436,539 S**

(45) **Date of Patent:** **** Jan. 23, 2001**

(54) **CONTAINER HAVING A COLLAPSIBLE CAP**

(75) Inventors: **Edward Spreitzer**, Cuyahoga Falls, OH (US); **Rodney T. E. Dixon**, Oak Brook Terrace, IL (US)

(73) Assignee: **Lacrad International Corporation**, Oak Brook Terrace, IL (US)

(**) Term: **14 Years**

(21) Appl. No.: **29/123,130**

(22) Filed: **May 11, 2000**

(51) **LOC (7) Cl.** **09-03**

(52) **U.S. Cl.** **D9/503**

(58) **Field of Search** D9/500-505, 435, D9/438, 538-539, 520, 550, 552, 557, 559; 220/66, 257, 260, 266, 268, 508-509; 222/529

(56) **References Cited**

U.S. PATENT DOCUMENTS

2,628,910	2/1953	Horan .	
2,661,128	* 12/1953	Rieke	222/529
2,804,242	8/1957	Borah .	
2,895,654	* 7/1959	Rieke	222/529
3,093,273	6/1963	Borah .	
3,199,750	8/1965	Livingstone .	
3,298,577	* 1/1967	Chlystun	222/529
3,326,421	* 6/1967	Peace	222/529
3,481,515	* 12/1969	Booth et al.	220/529
3,559,847	2/1971	Goodrich	222/107
3,690,522	9/1972	Chlystun	222/529
4,073,413	* 2/1978	Tabler et al.	222/529
4,082,827	4/1978	Chlystun	264/98
4,095,728	6/1978	Chlystun	222/529

4,403,709	* 9/1983	Meins et al.	220/257
4,452,382	* 6/1984	Von Holdt	222/529
4,492,324	1/1985	Weber	222/529
4,529,108	7/1985	Chlystun	222/529
4,560,081	* 12/1985	Adams	220/257
4,640,855	2/1987	St. Clair	428/36
4,838,448	* 6/1989	Piano	220/257
5,125,542	6/1992	Blanc	222/181
5,577,643	* 11/1996	Stolz	222/529
5,702,025	12/1997	Di Gregorio	220/717
5,816,428	* 10/1998	Plester	220/257

* cited by examiner

Primary Examiner—James Gandy

Assistant Examiner—Carol Rademaker

(74) *Attorney, Agent, or Firm*—Dobrusin Darden Thennisch & Lorenz PLLC

(57) **CLAIM**

The ornamental design for a container having a collapsible cap, as shown.

DESCRIPTION

FIG. 1 shows a perspective view of a container having a collapsible cap incorporating our design.

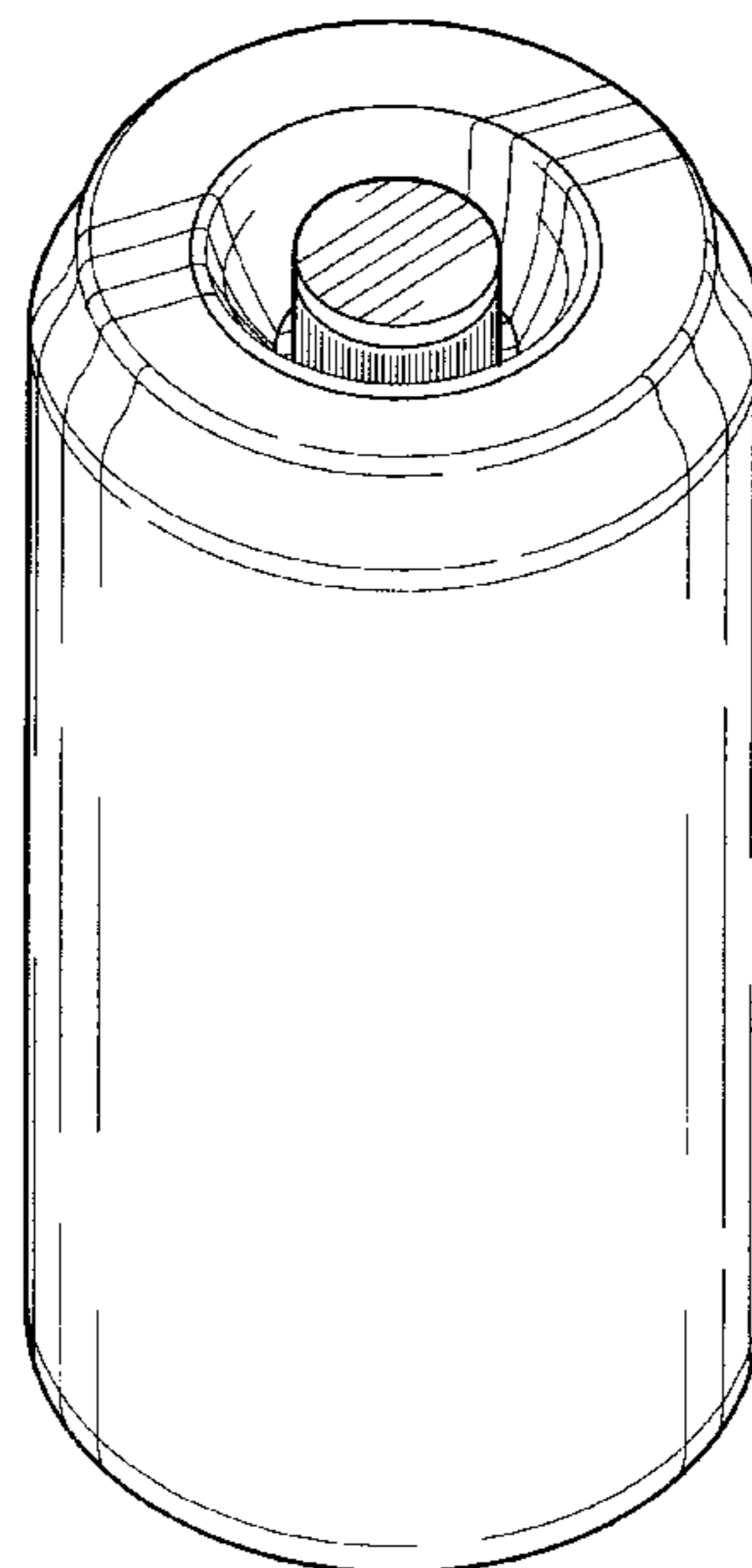
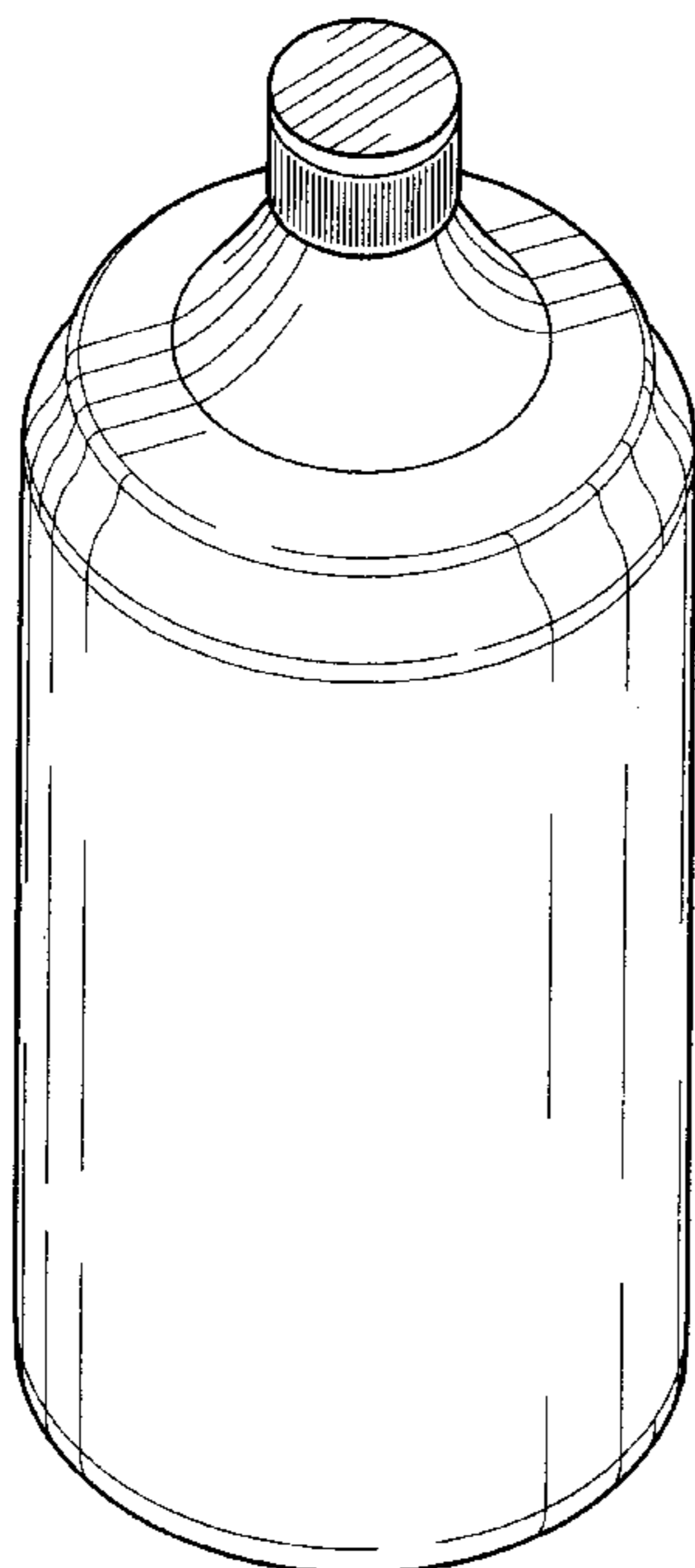
FIG. 2 shows a front view of the container having a collapsible cap shown in FIG. 1.

FIG. 3 shows a top view of the container having a collapsible cap shown in FIG. 1.

FIG. 4 shows a bottom view of the container having a collapsible cap shown in FIG. 1; and,

FIG. 5 shows a perspective view of the container having a collapsible cap of FIG. 1, wherein the upper portion of the container is collapsed down into the center of the container.

1 Claim, 2 Drawing Sheets



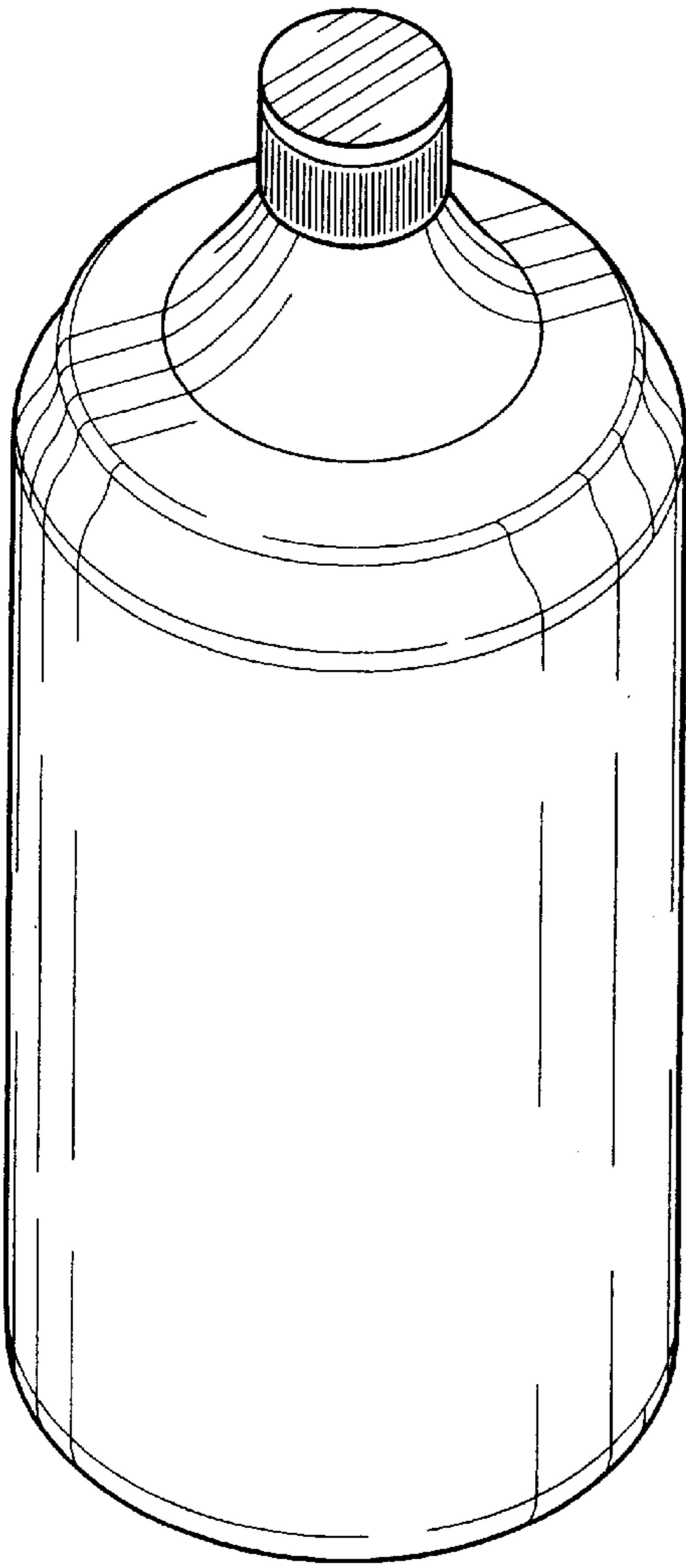


Fig-1

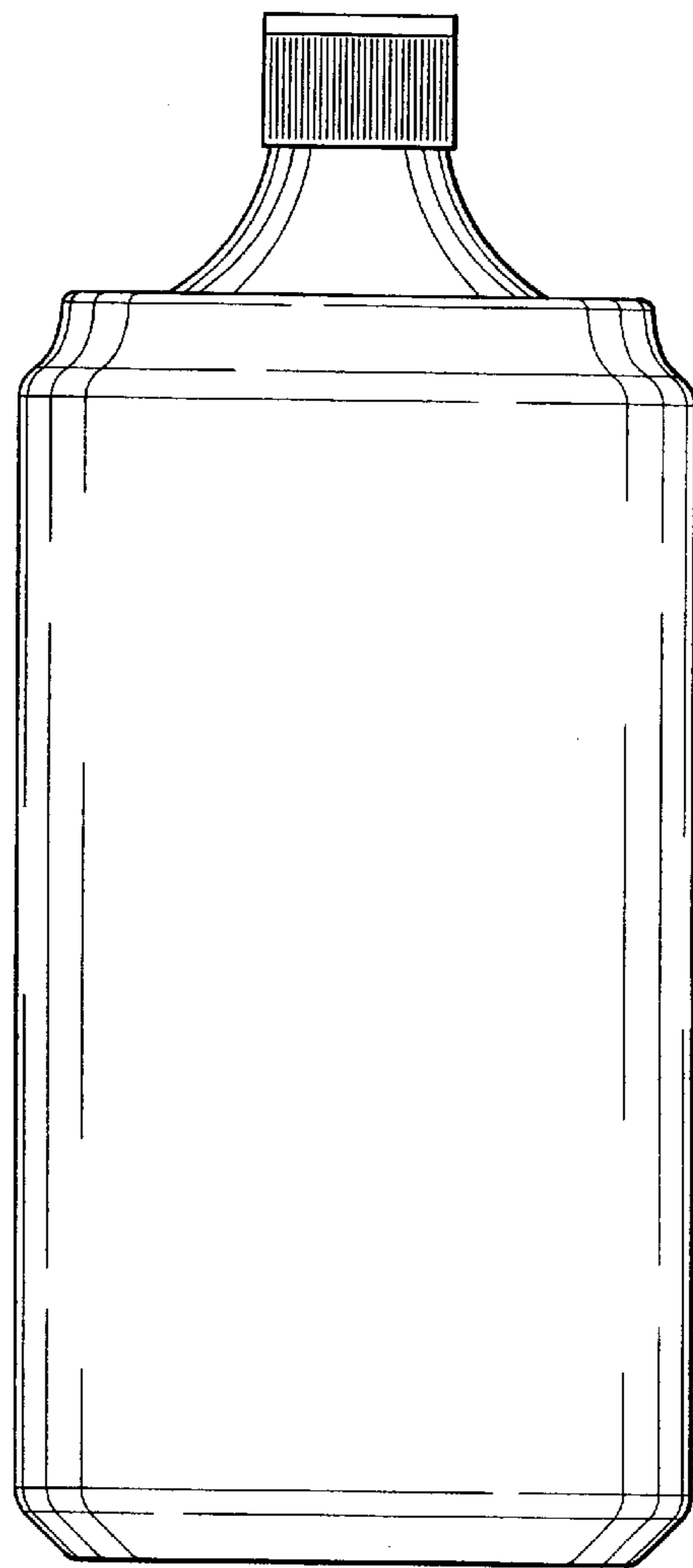


Fig-2

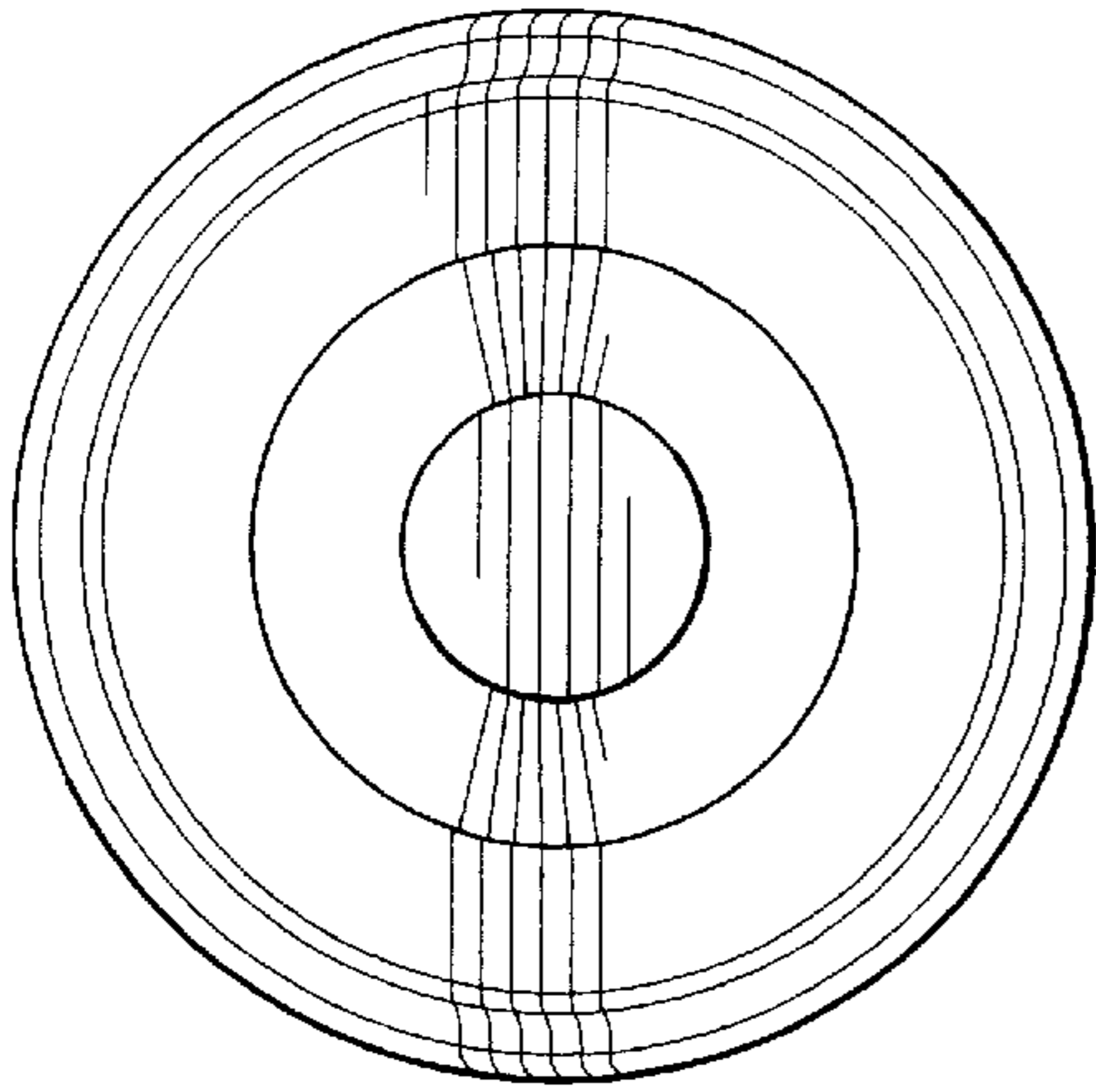


Fig-3

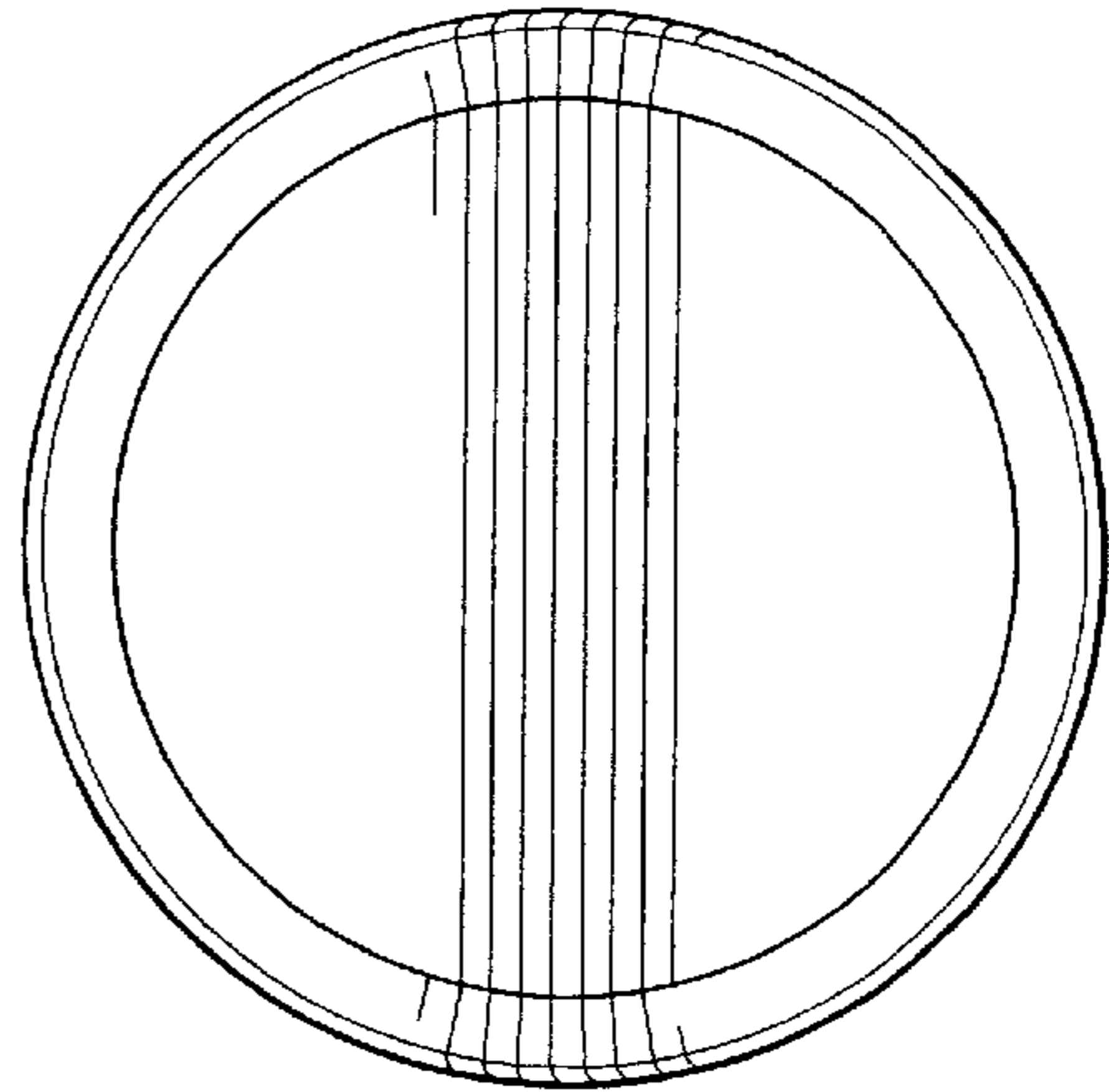


Fig-4

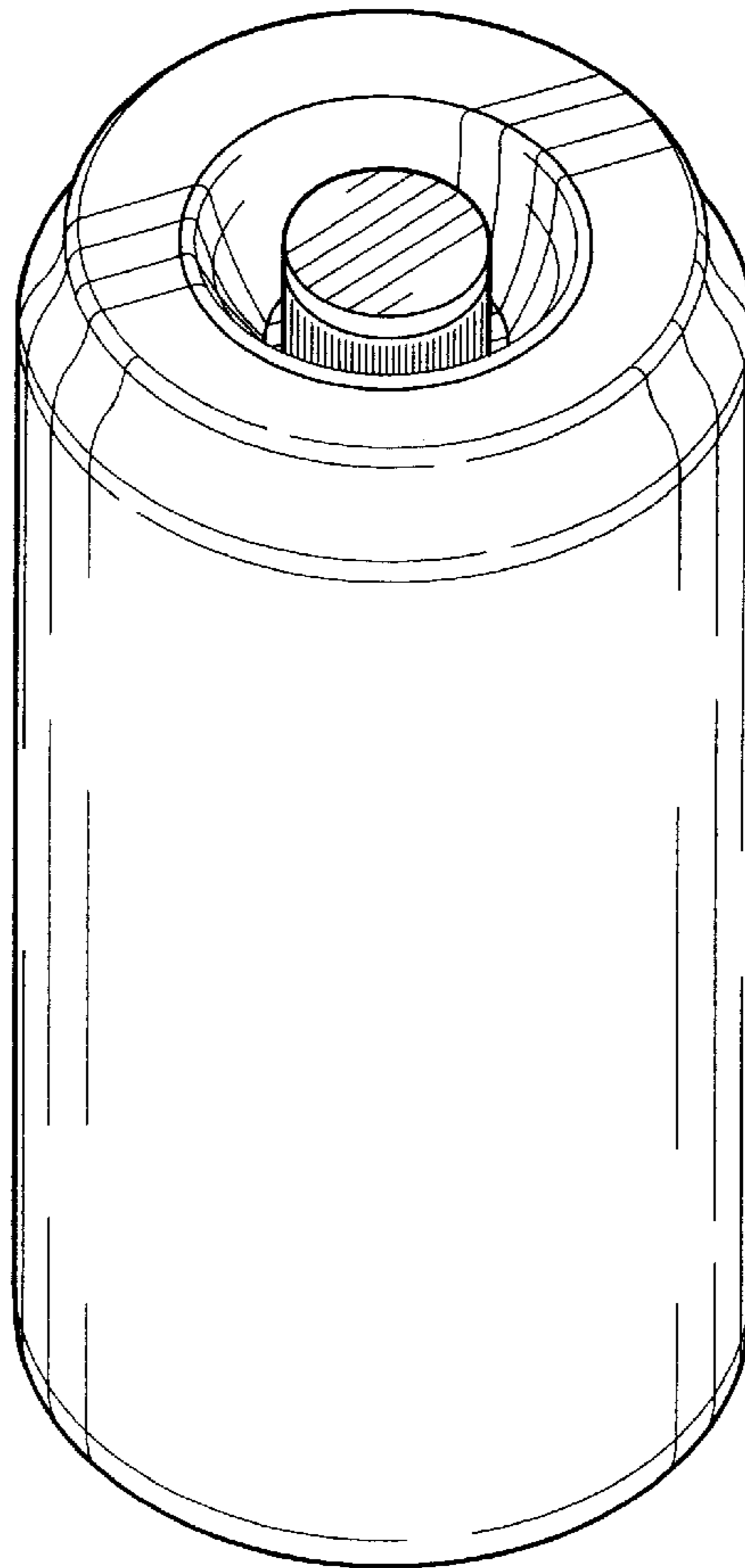


Fig-5